



US00D617768S

(12) **United States Design Patent**  
**Taghva**

(10) **Patent No.:** **US D617,768 S**  
(45) **Date of Patent:** **\*\* Jun. 15, 2010**

(54) **CROSS-SHAPED MEDIA PLAYER**

(76) Inventor: **Mohammad Taghva**, 13654 Mills Farm Rd., Rockville, MD (US) 20850

(\*\*) Term: **14 Years**

(21) Appl. No.: **29/274,366**

(22) Filed: **Oct. 17, 2007**

(51) **LOC (9) Cl.** ..... **14-03**

(52) **U.S. Cl.** ..... **D14/203.2; D14/203.3**

(58) **Field of Classification Search** ..... D14/496, D14/401, 435, 474, 483, 217, 137, 138, 160, D14/168, 356, 203.1-203.8, 507; 345/156, 345/169, 173-179, 905; 715/727-729, 864; 710/1, 5, 8; 713/1, 600; 455/1.1, 1.7, 73, 455/344-347, 93, 95, 3.01-3.06, 550.1, 573.1; 370/342-344; 369/1, 2, 6-12; 463/43-47; 273/148 B

See application file for complete search history.

(56) **References Cited**

**U.S. PATENT DOCUMENTS**

D98,256 S \* 1/1936 King ..... D99/27  
D338,633 S \* 8/1993 Andre ..... D11/96  
5,588,253 A \* 12/1996 Boodley et al. .... 47/41.12

D440,225 S \* 4/2001 Dias et al. .... D14/403  
6,236,526 B1 \* 5/2001 Hoekstra et al. .... 360/72.1  
D475,169 S \* 5/2003 Glotfelty ..... D99/27  
D488,799 S \* 4/2004 Moore ..... D14/188  
D497,464 S \* 10/2004 Ruiz et al. .... D99/27  
6,945,003 B2 \* 9/2005 Berry ..... 52/648.1  
D522,064 S \* 5/2006 Trigg et al. .... D20/27  
D540,817 S \* 4/2007 Milstein ..... D14/496  
D543,554 S \* 5/2007 Dai ..... D14/496

\* cited by examiner

*Primary Examiner*—Prabhakar Deshmukh

(57) **CLAIM**

The ornamental design for a cross-shaped media player, as shown.

**DESCRIPTION**

FIG. 1 is a front elevational view of a cross-shaped media player showing my new design;

FIG. 2 is a rear elevational view thereof;

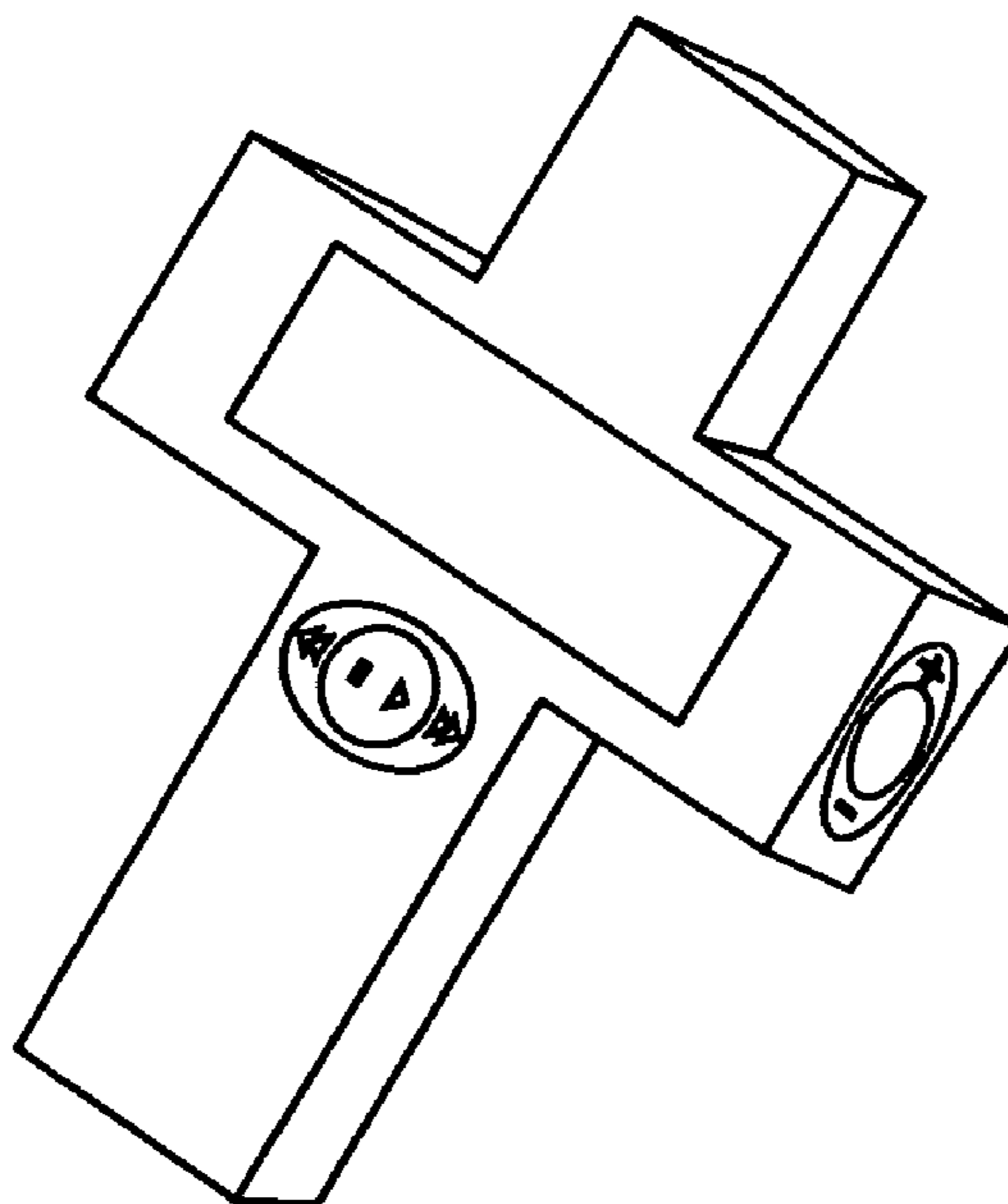
FIG. 3 is a front, left, bottom perspective view thereof;

FIG. 4 is a front, right, top perspective view thereof;

FIG. 5 is a top plan view thereof; and,

FIG. 6 is a bottom plan view thereof.

**1 Claim, 1 Drawing Sheet**



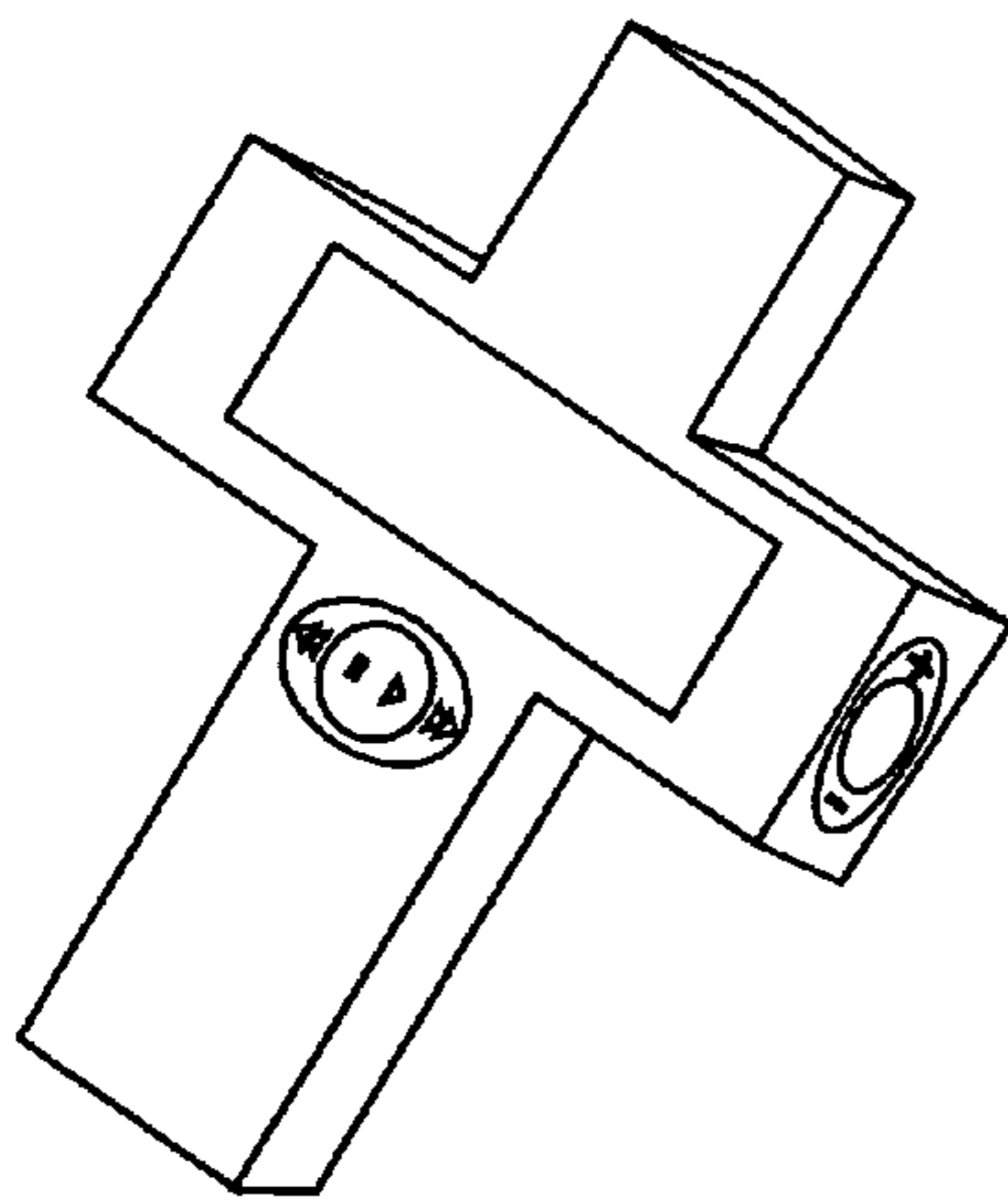


FIG. 4



FIG. 5

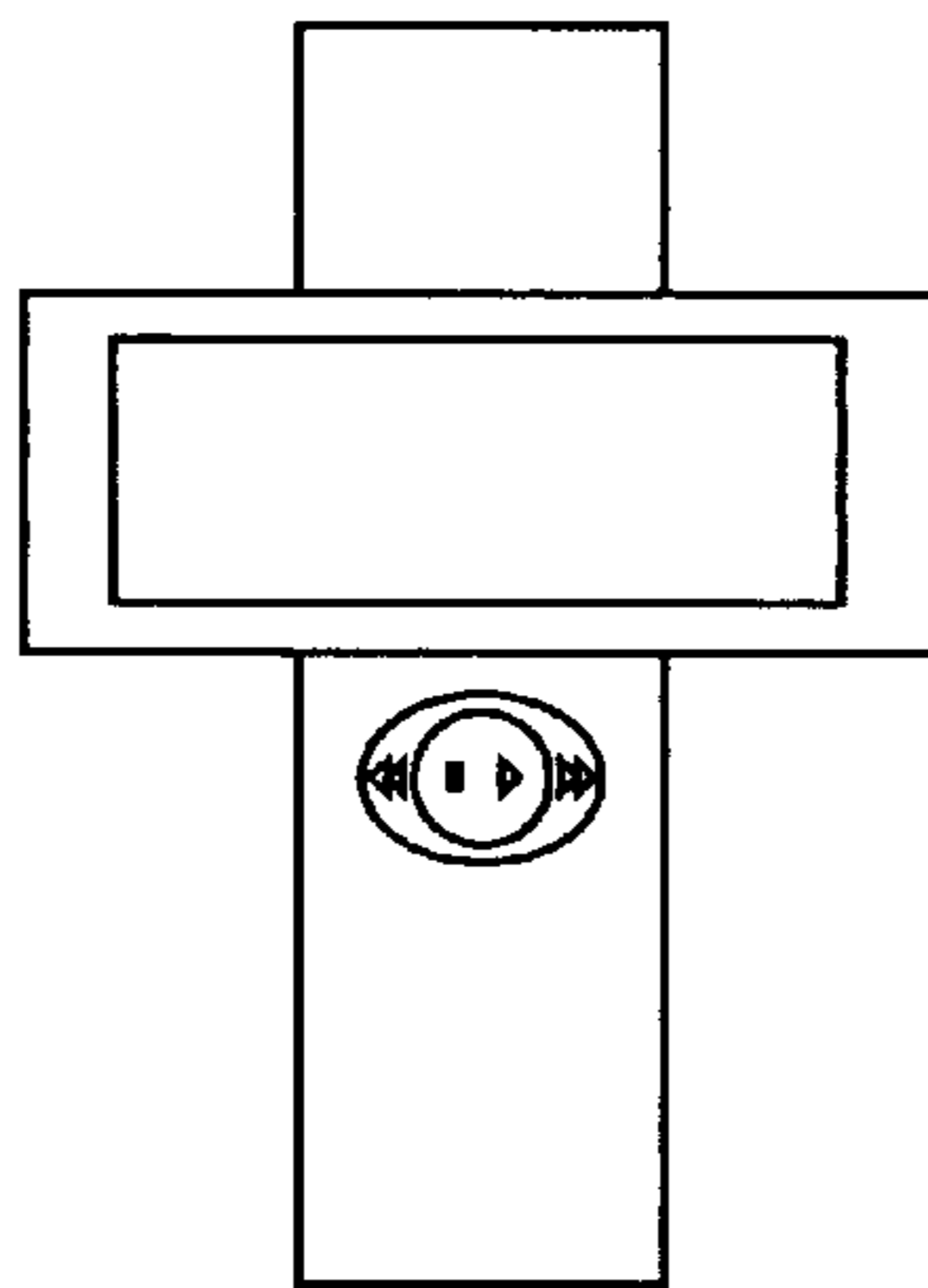


FIG. 1

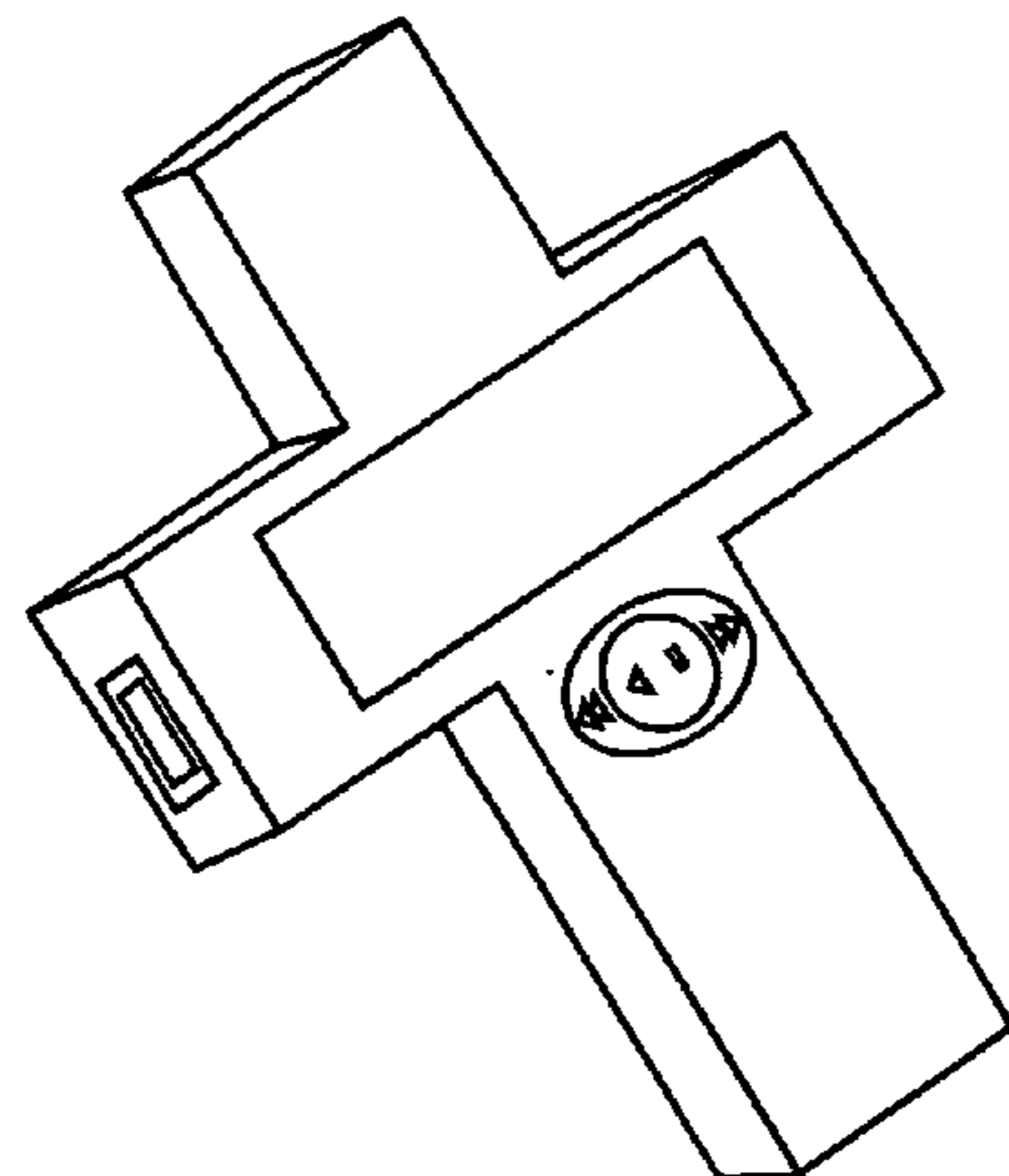


FIG. 3

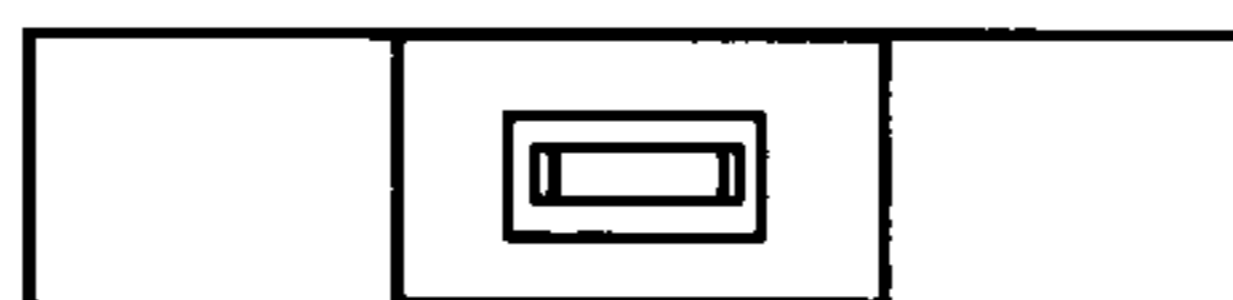


FIG. 6

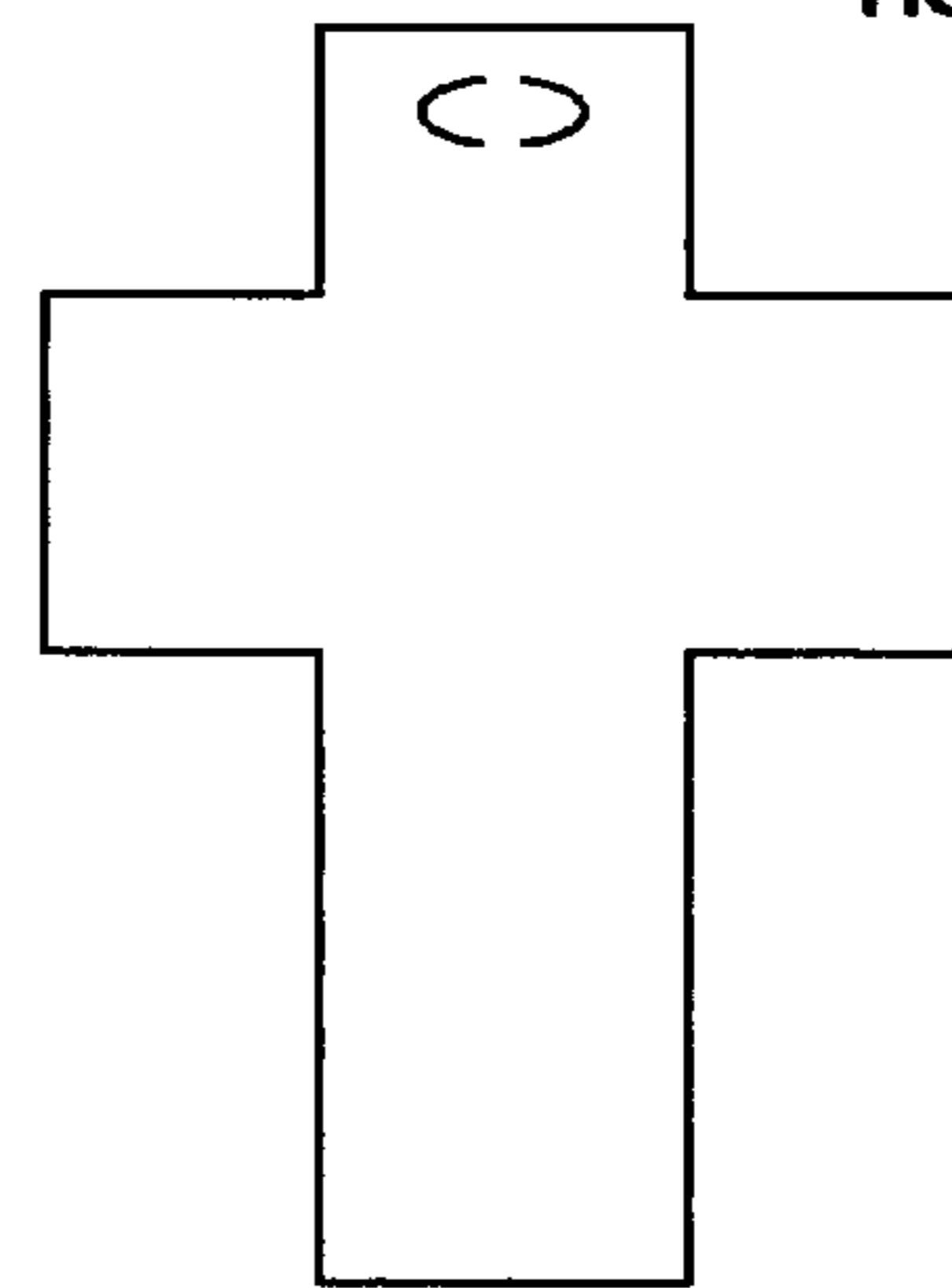


FIG. 2