



US00D617767S

(12) **United States Design Patent**
Piltonen et al.

(10) **Patent No.:** **US D617,767 S**
(45) **Date of Patent:** **** Jun. 15, 2010**

(54) **RADIO TRACKING RECEIVER**

(75) Inventors: **Harri Piltonen**, Varjakka (FI); **Mikko Tuunanen**, Oulunsalo (FI); **Sami Littow**, Haukipudas (FI)

(73) Assignee: **Tracker Inc.**, Oulunsalo (FI)

(**) Term: **14 Years**

(21) Appl. No.: **29/316,263**

(22) Filed: **Sep. 8, 2009**

(51) **LOC (9) Cl.** **14-03**

(52) **U.S. Cl.** **D14/188; D14/197; D10/65**

(58) **Field of Classification Search** D14/137, D14/138, 155, 160-171, 188, 189, 194, 197, D14/198, 204, 207, 214, 217, 265, 299, 496; 455/90.1-90.3, 344-355, 899; 370/342-344; 369/6-12; D10/65, 70; D22/199
See application file for complete search history.

(56) **References Cited**

U.S. PATENT DOCUMENTS

D309,119 S * 7/1990 Kremitzki D10/104
D311,348 S * 10/1990 Mastro et al. D10/106
5,650,769 A * 7/1997 Campana, Jr. 340/573.4

D440,504 S * 4/2001 Warner et al. D10/65
D478,571 S * 8/2003 Solland D14/218
D556,612 S * 12/2007 Beecher et al. D10/65
D603,841 S * 11/2009 Foley D14/218

* cited by examiner

Primary Examiner—Stella M Reid

Assistant Examiner—Keli L Hill

(74) *Attorney, Agent, or Firm*—Klauber & Jackson LLC

(57) **CLAIM**

The ornamental design for a radio tracking receiver, as shown and described.

DESCRIPTION

FIG. 1 is an upper right front perspective view of a radio tracking receiver of our new design;

FIG. 2 is a top view thereof;

FIG. 3 is a bottom view thereof;

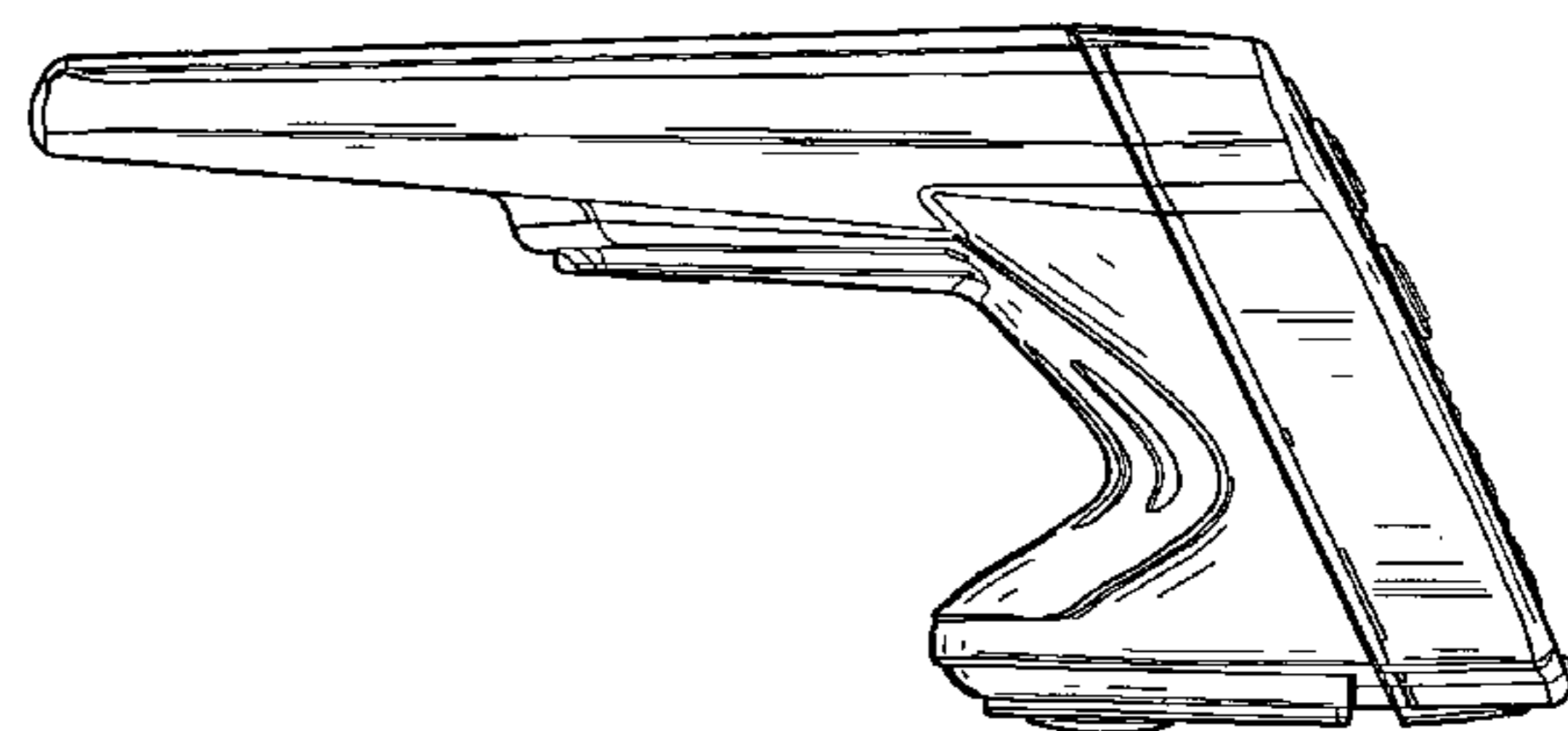
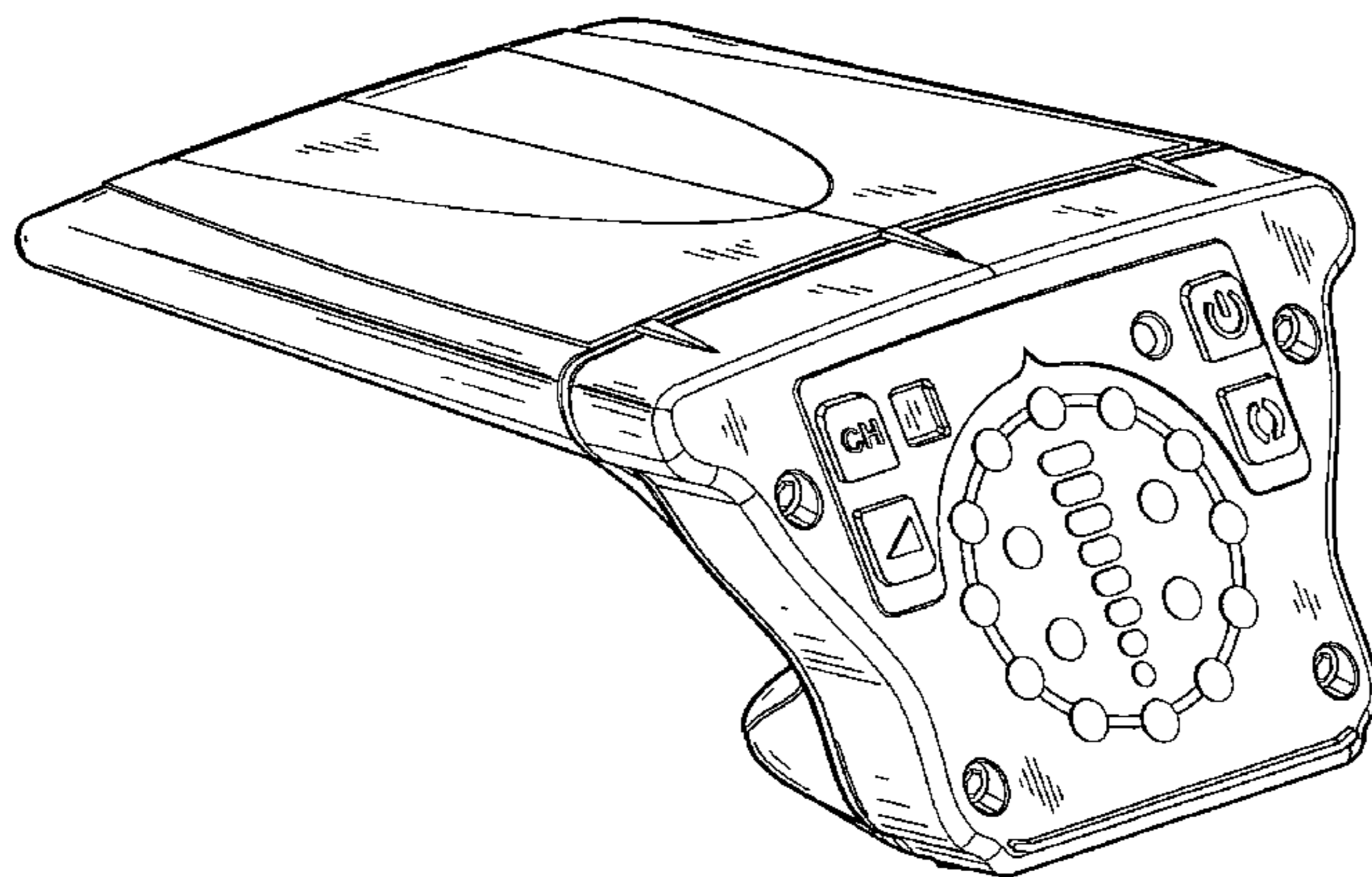
FIG. 4 is a left side view thereof;

FIG. 5 is a right side view thereof;

FIG. 6 is a rear view thereof; and,

FIG. 7 is a front view thereof.

1 Claim, 4 Drawing Sheets



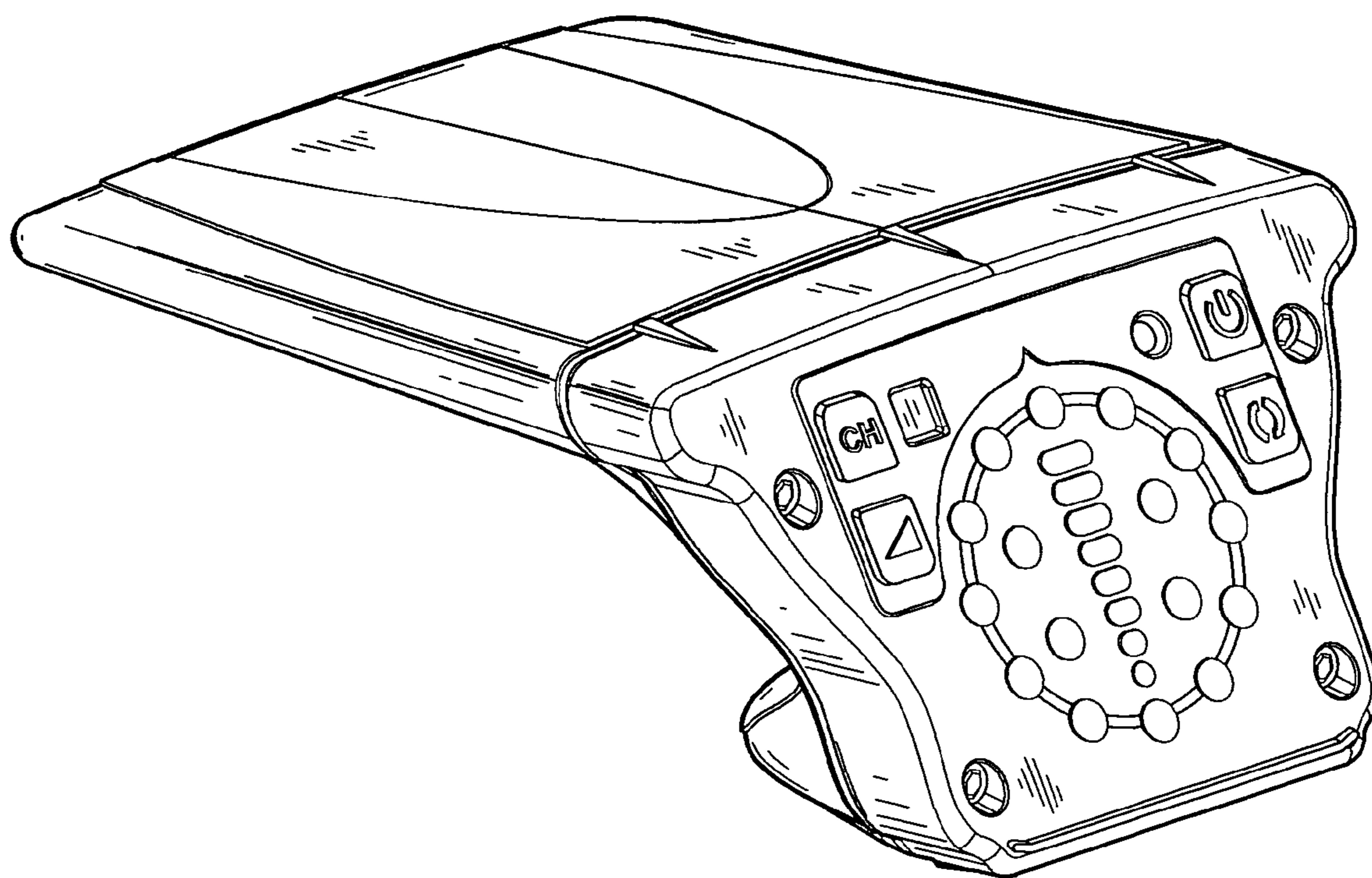


FIG. 1

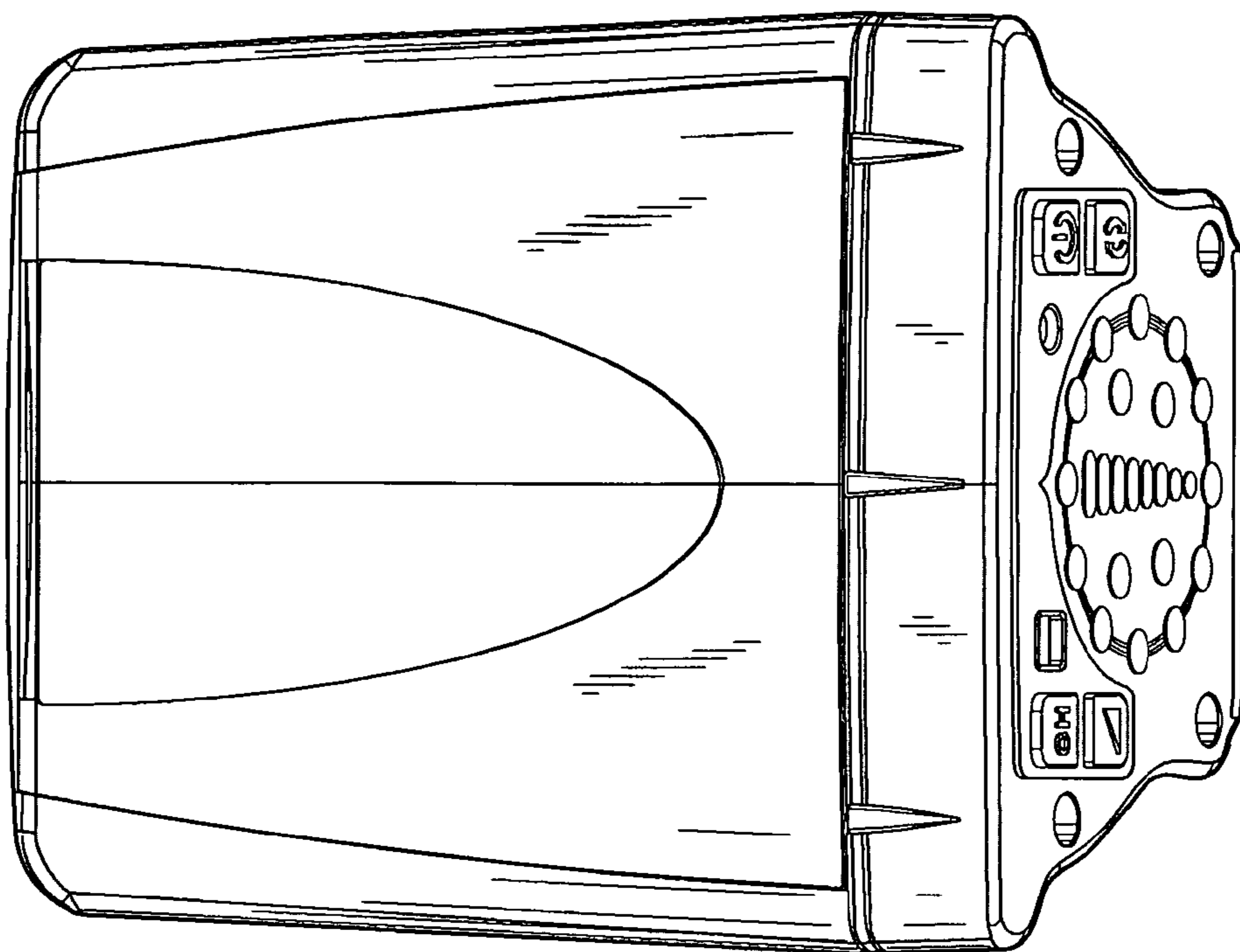


FIG. 2

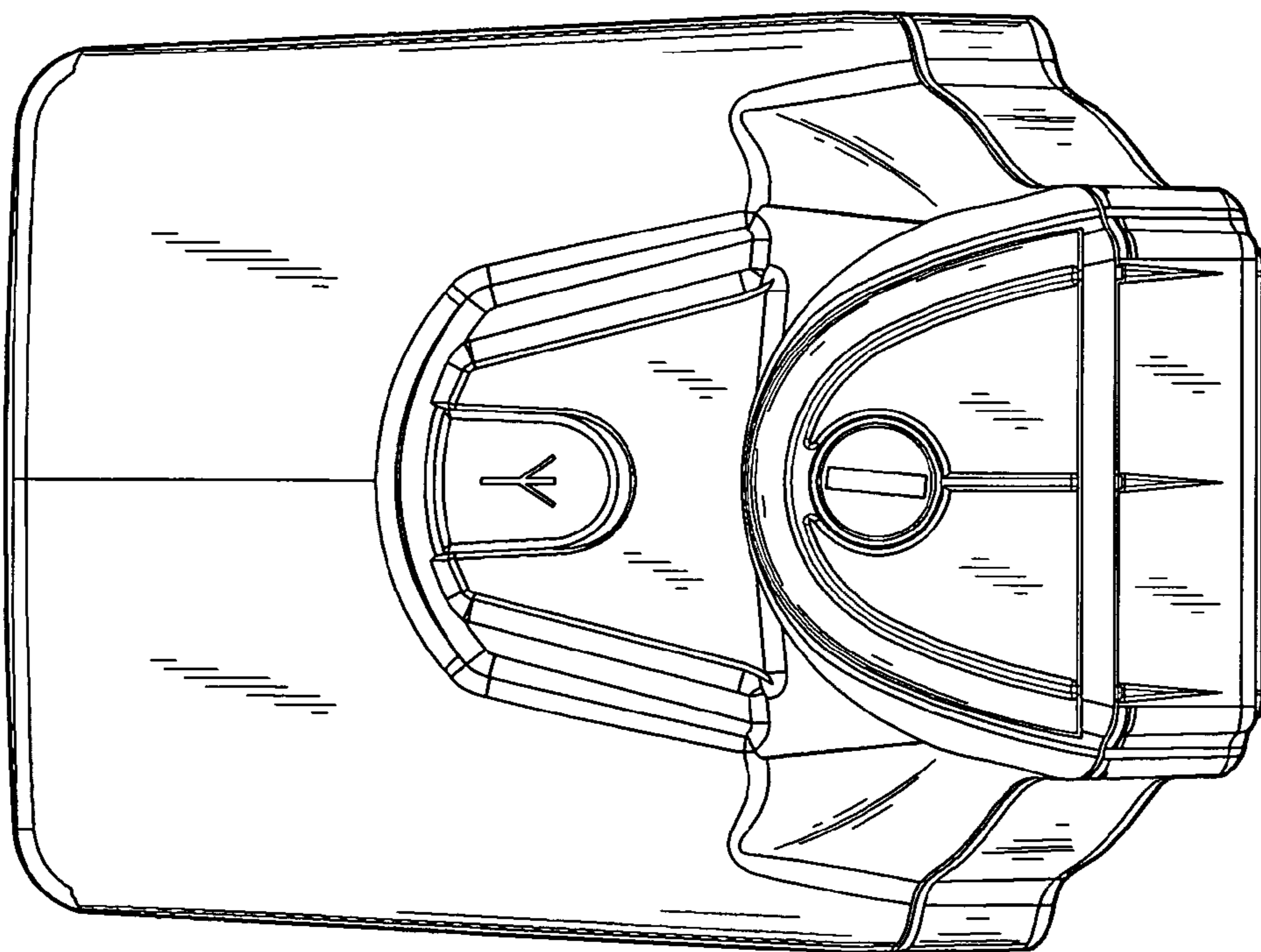


FIG. 3

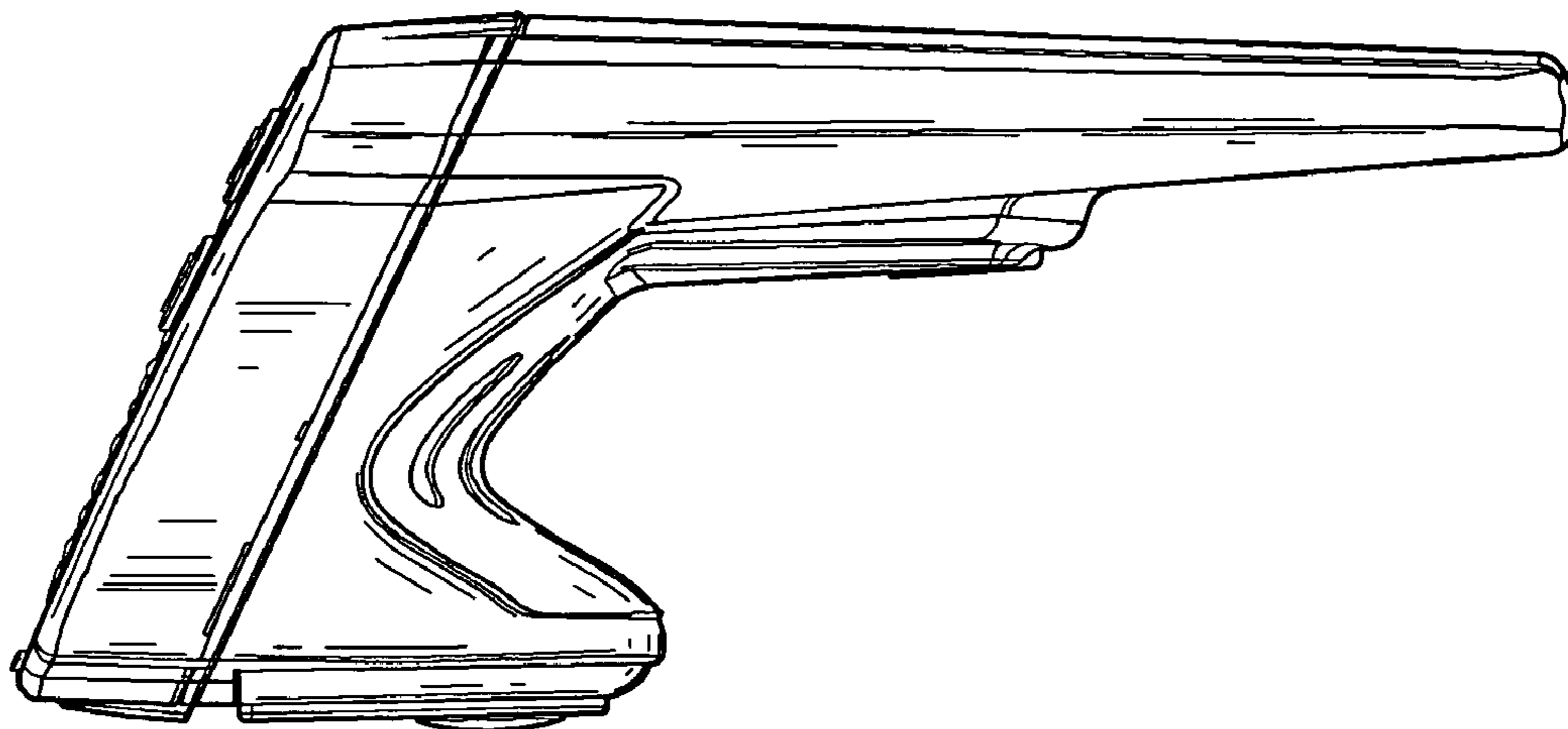


FIG. 4

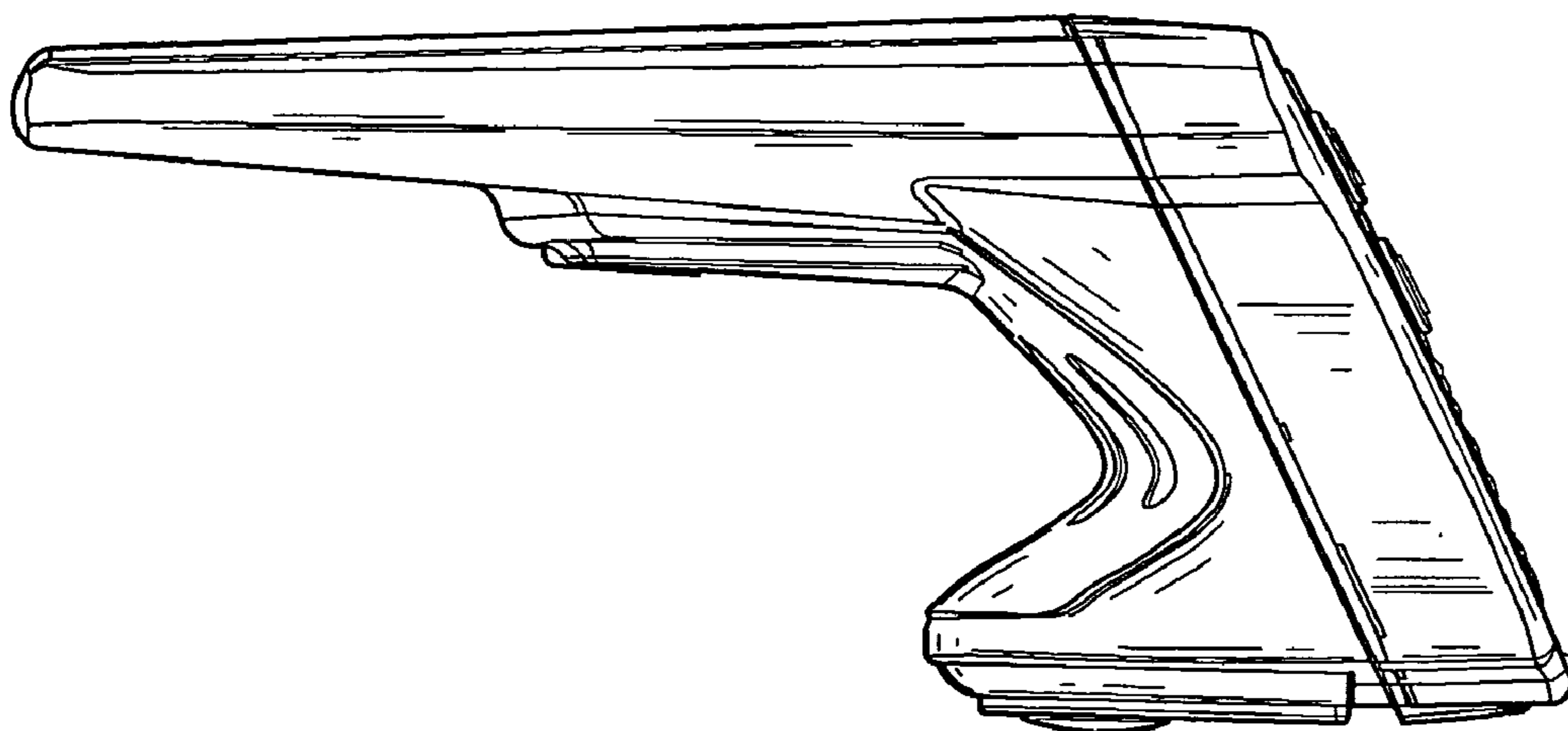


FIG. 5

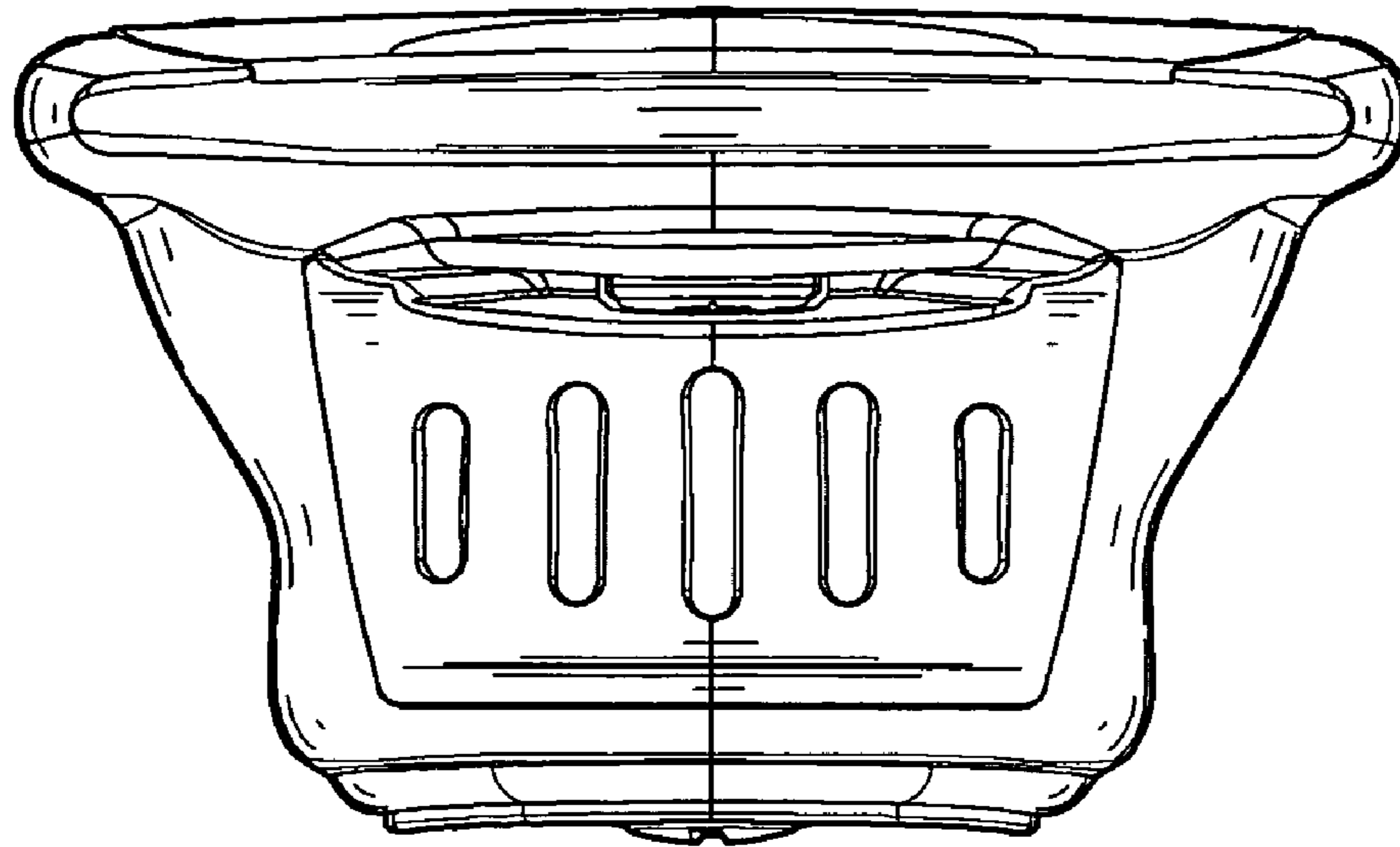


FIG. 6

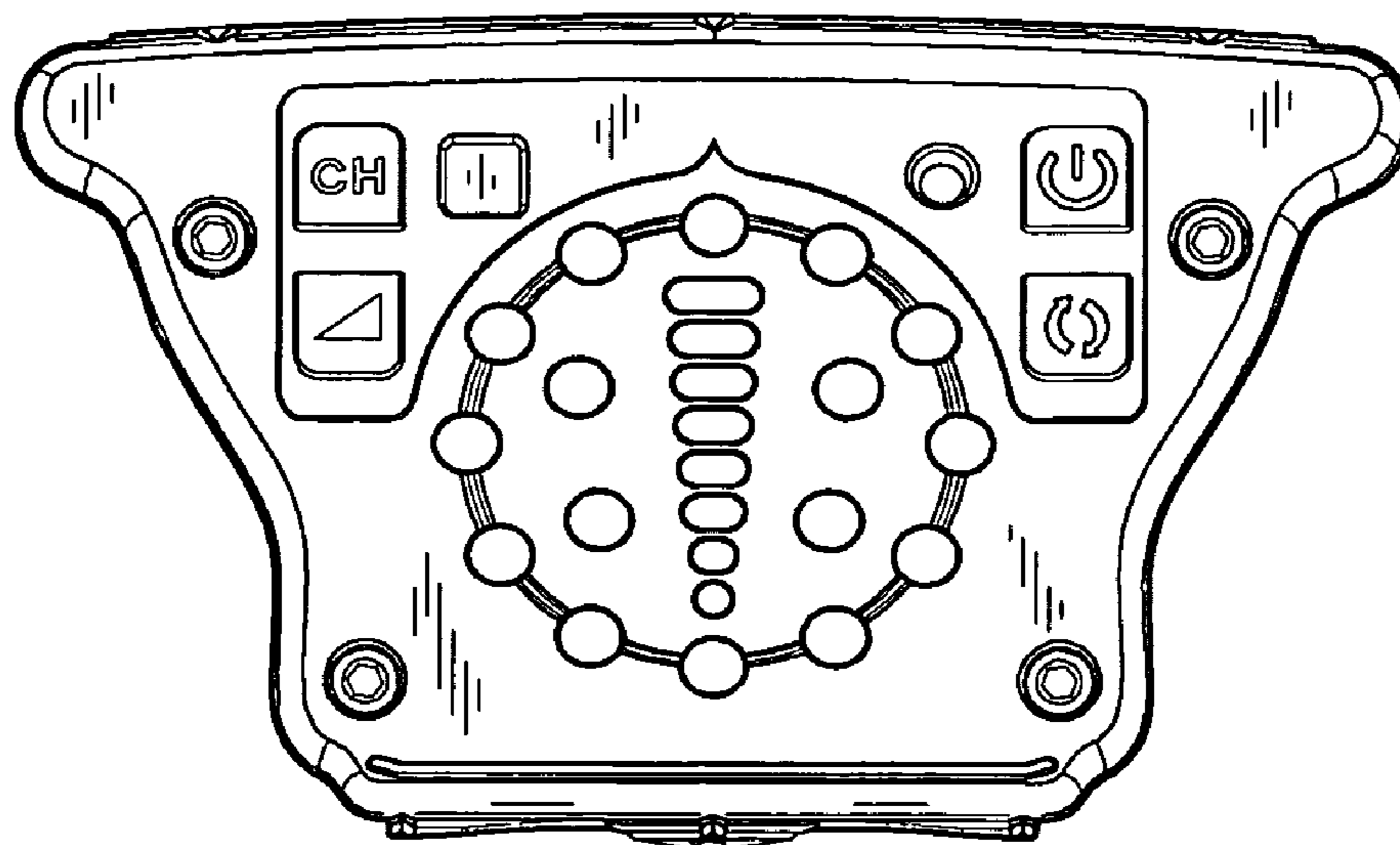


FIG. 7