



US00D617763S

(12) **United States Design Patent**
Liu et al.

(10) **Patent No.:** **US D617,763 S**
(45) **Date of Patent:** **** Jun. 15, 2010**

(54) **HANDSET**

(75) Inventors: **Hang Liu**, Beijing (CN); **Qiang Xiaoming**, Beijing (CN)

(73) Assignee: **Nokia Corporation**, Espoo (FI)

(**) Term: **14 Years**

(21) Appl. No.: **29/346,020**

(22) Filed: **Oct. 26, 2009**

(51) **LOC (9) Cl.** **14-03**

(52) **U.S. Cl.** **D14/138 AD**

(58) **Field of Classification Search** D14/138 R,
D14/138 AD, 138 AC, 138 C, 138 G, 191,
D14/203.1–203.8, 496, 138 AA, 138 AB,
D14/247–248, 137, 147, 218, 341–347; D10/65,
D10/78, 104; D13/168; D18/7; 455/566,
455/575.1, 575.3

See application file for complete search history.

(56) **References Cited**

U.S. PATENT DOCUMENTS

- D543,176 S * 5/2007 Hyun et al. D14/138 G
- D544,459 S * 6/2007 Wang D14/138 AD
- D545,289 S * 6/2007 Wang D14/138 AD
- D547,296 S * 7/2007 Lin D14/138 AD
- D549,205 S * 8/2007 Cho D14/138 AD
- D558,725 S * 1/2008 Wang D14/138 AD
- D560,199 S * 1/2008 Lee et al. D14/138 AD
- D563,936 S * 3/2008 Kim et al. D14/138 AD
- D572,695 S * 7/2008 Tu D14/138 AD
- D581,386 S * 11/2008 Oh et al. D14/138 AD
- D584,709 S * 1/2009 Chiang D14/138 AD
- D585,418 S 1/2009 Laine
- D589,947 S * 4/2009 Turner D14/247
- D590,799 S * 4/2009 Laine D14/138 AD
- D593,982 S * 6/2009 He D14/138 AD
- D593,983 S * 6/2009 He D14/138 AD
- D594,858 S * 6/2009 Aarras D14/247
- D601,109 S * 9/2009 Lee et al. D14/138 AD

- D602,895 S * 10/2009 Chun D14/138 AD
- D605,155 S * 12/2009 Cha et al. D14/138 AD
- D606,062 S 12/2009 Stone et al.
- 7,627,355 B2 * 12/2009 Amano et al. 455/575.4
- D607,428 S * 1/2010 Kim et al. D14/138 AD
- D607,858 S * 1/2010 Millora D14/138 AD
- D609,210 S * 2/2010 Sohn et al. D14/138 AD
- 2008/0266378 A1 * 10/2008 Ryu 348/14.02
- 2009/0124294 A1 * 5/2009 Kim et al. 455/566
- 2009/0247243 A1 * 10/2009 Chen et al. 455/575.1

OTHER PUBLICATIONS

LG GU280 Popcorn, announced Oct. 2009, [online], [retrieved on Nov. 20, 2009]. Retrieved from Internet ,<URL: <http://www.gsmarena.com>>.*

(Continued)

Primary Examiner—Jeffrey D Asch
Assistant Examiner—Bridget L Eland
(74) *Attorney, Agent, or Firm*—Banner & Witcoff, Ltd.

(57) **CLAIM**

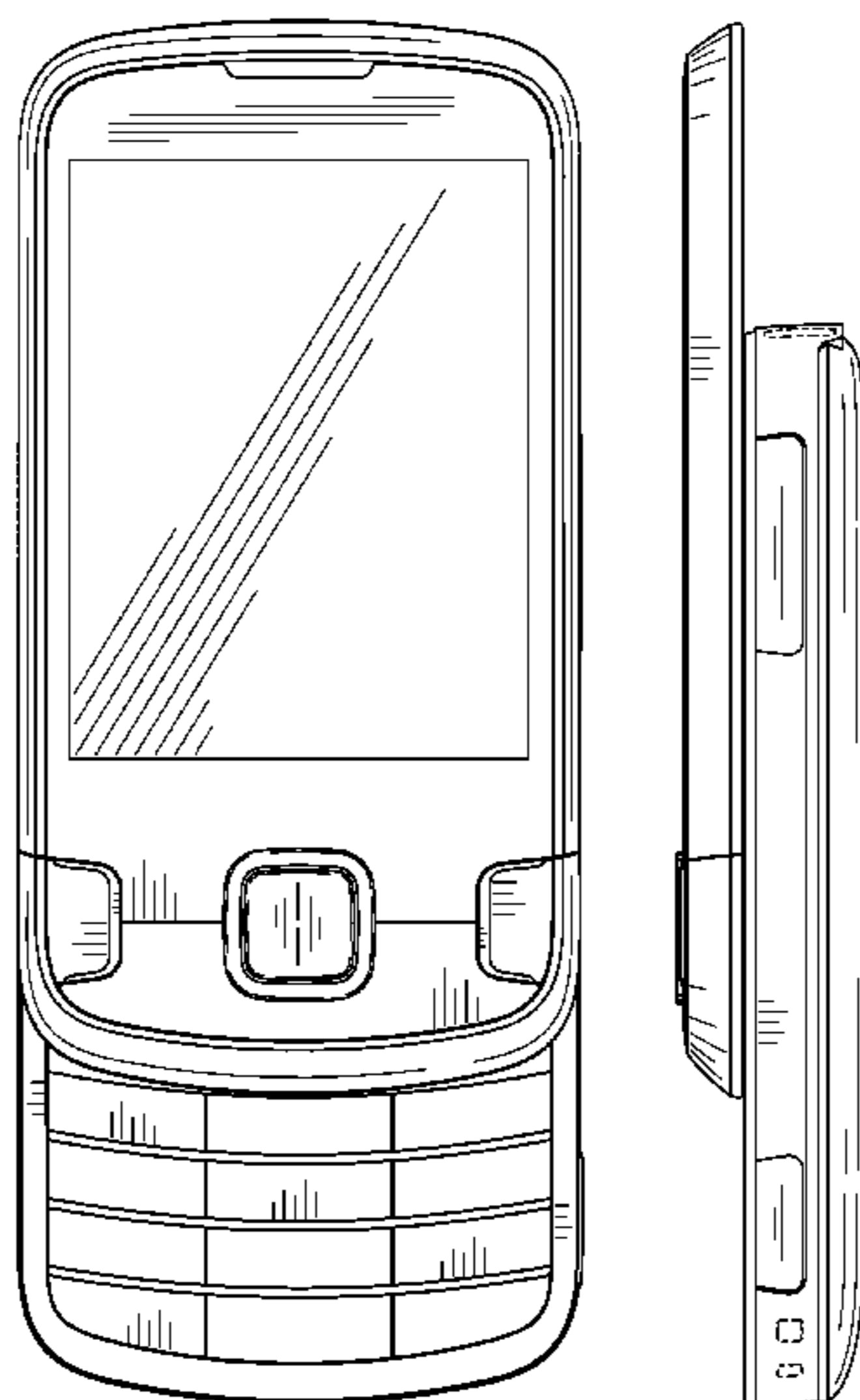
The ornamental design for a handset, as shown and described.

DESCRIPTION

FIG. 1 is a perspective front view of a handset showing our new design;
FIG. 2 is a front view thereof;
FIG. 3 is a rear view thereof;
FIG. 4 is a right side view thereof;
FIG. 5 is a left side view thereof;
FIG. 6 is a top view thereof; and,
FIG. 7 is a bottom view thereof.

The broken lines immediately adjacent the shaded areas represent the bounds of the claimed design while all other broken lines are directed to environment and are for illustrative purposes only; the broken lines form no part of the claimed design.

1 Claim, 5 Drawing Sheets



OTHER PUBLICATIONS

Nokia 6788, announced Oct. 2009, [online], [retrieved on Oct. 28, 2009]. Retrieved from Internet ,<URL: <http://www.gsmarena.com>>.*

Qtek A9100, announced Mar. 2006, [online], [retrieved on Nov. 8, 2008]. Retrieved from Internet ,<URL: <http://www.gsmarena.com>>.*

Siemens SG75, announced Sep. 2005, [online], [retrieved on Feb. 20, 2007]. Retrieved from Internet ,<URL: <http://www.gsmarena.com>>.*

Toshiba TG02, announced Feb. 2010, [online], [retrieved on Feb. 17, 2010]. Retrieved from Internet ,<URL: <http://www.gsmarena.com>>.*

Samsung i560, announced Oct. 2007, [online], [retrieved on Aug. 18, 2009]. Retrieved from Internet ,<URL: <http://www.gsmarena.com>>.*

Samsung i8510 INNOV8, announced Jul. 2008, [online], [retrieved on Jul. 25, 2008]. Retrieved from Internet ,<URL: <http://www.gsmarena.com>>.*

* cited by examiner

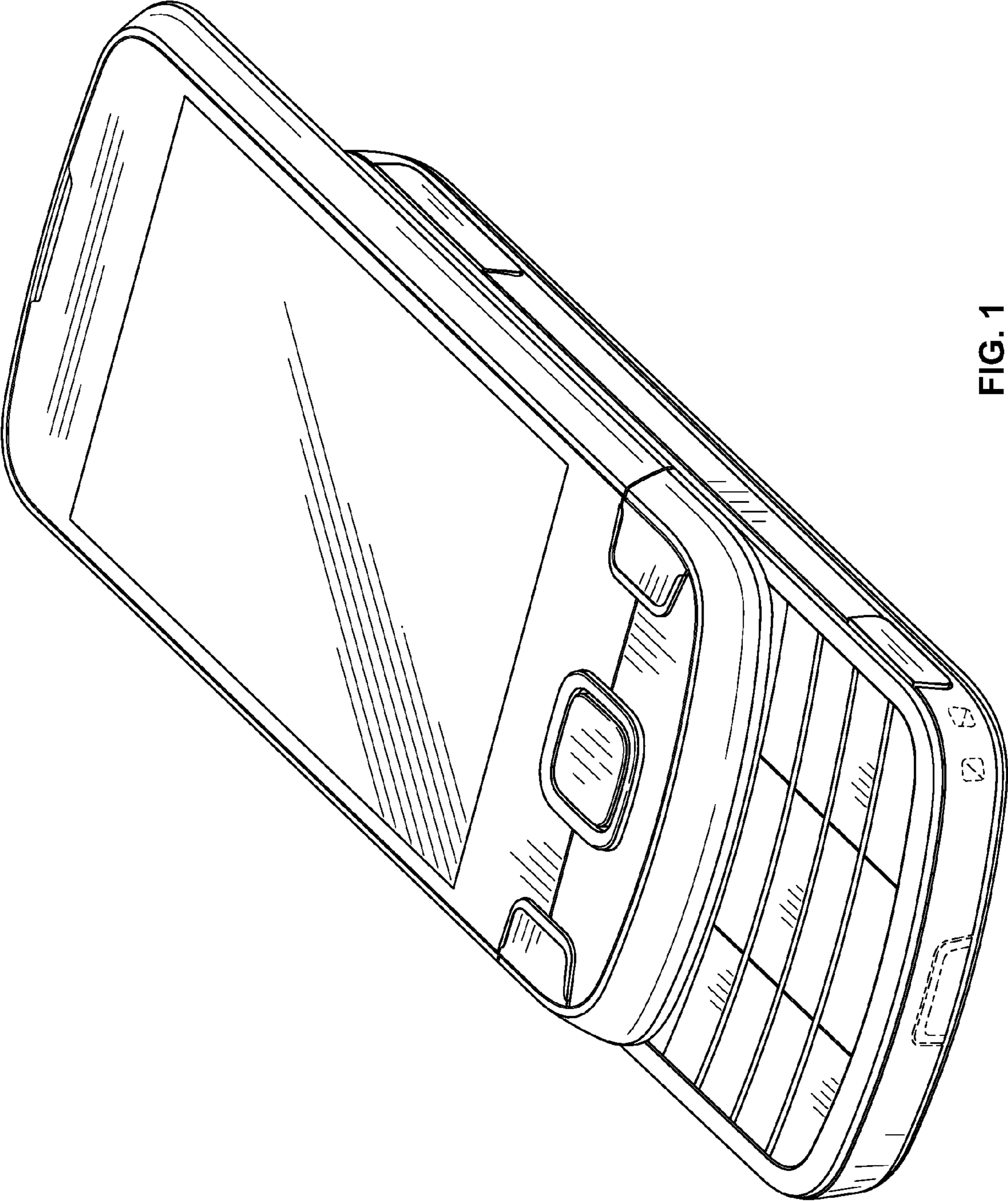


FIG. 1

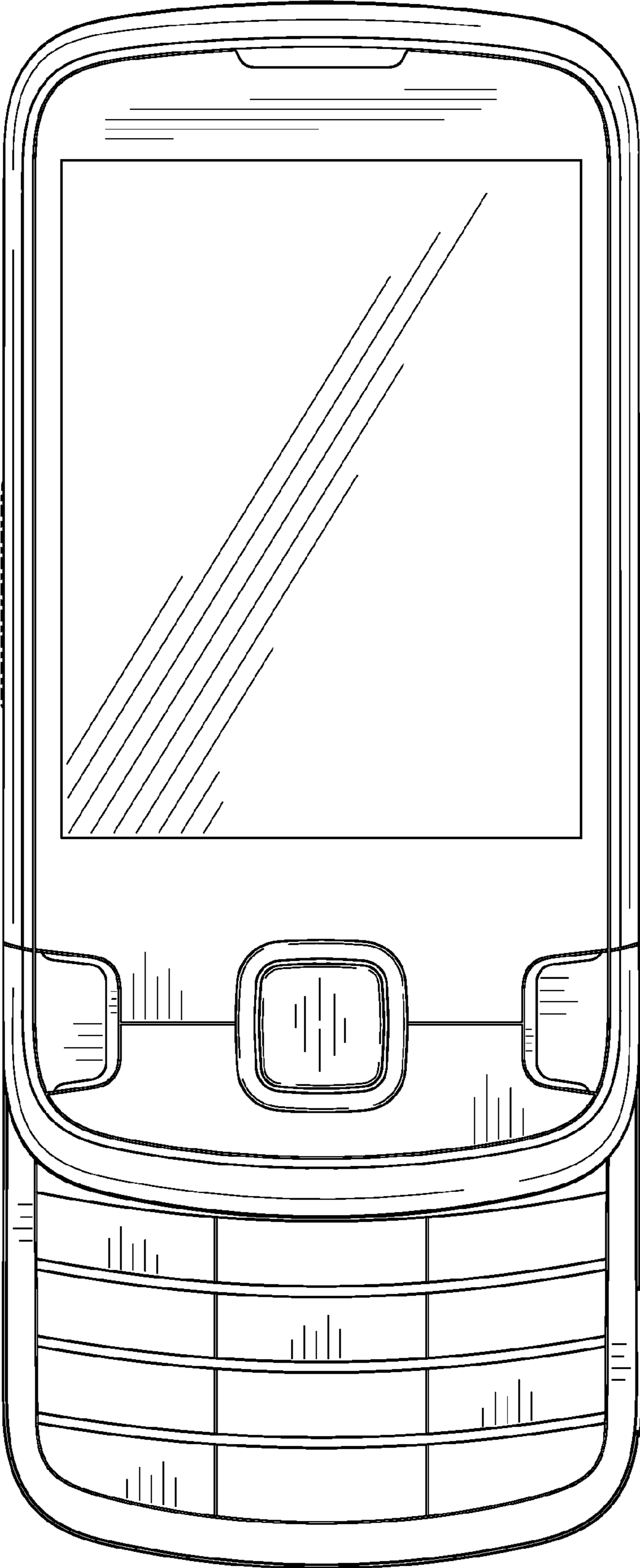


FIG. 2

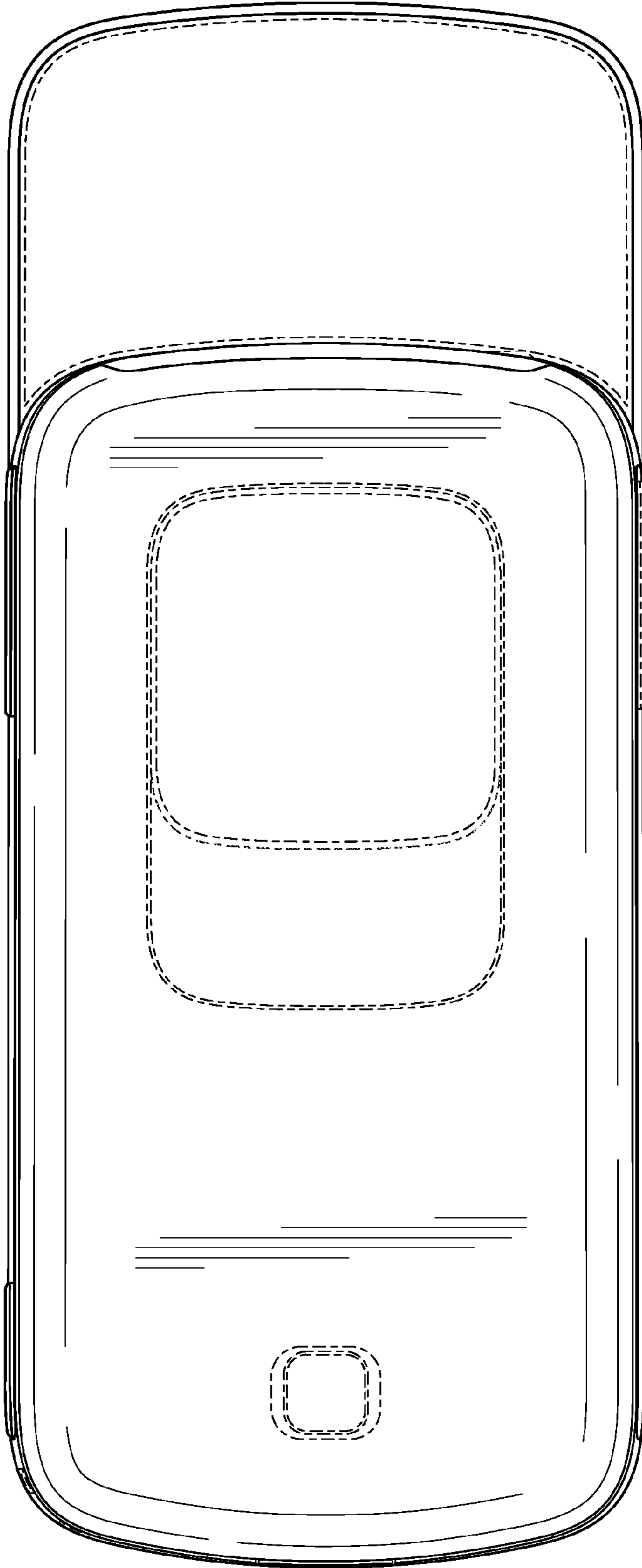


FIG. 3

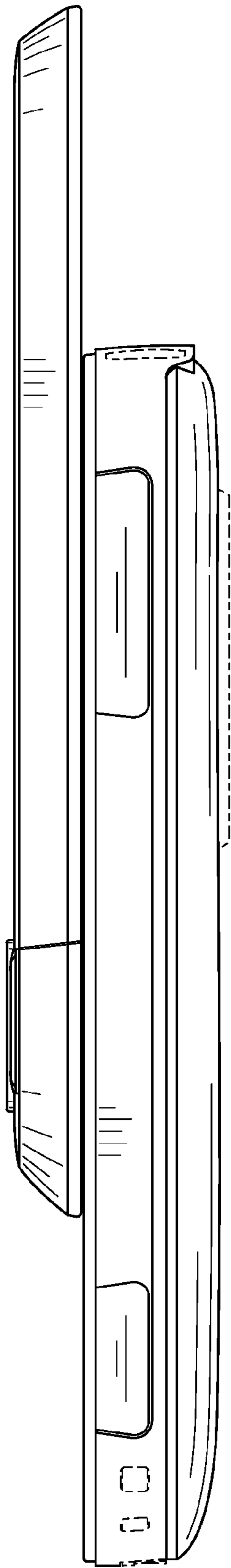


FIG. 4

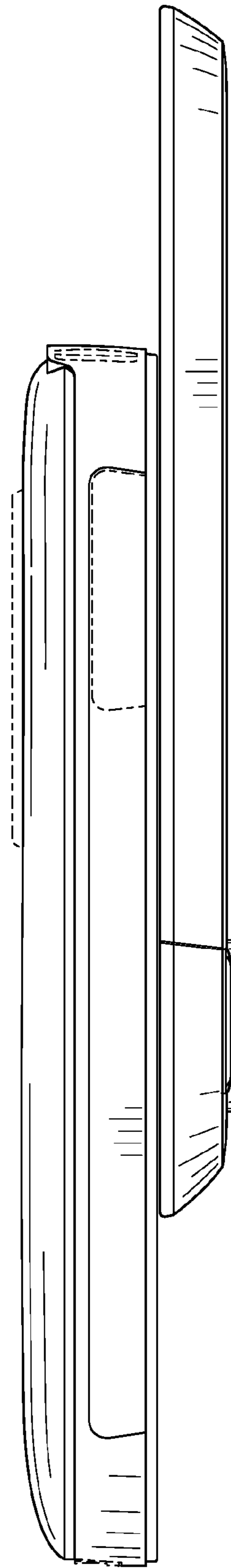


FIG. 5

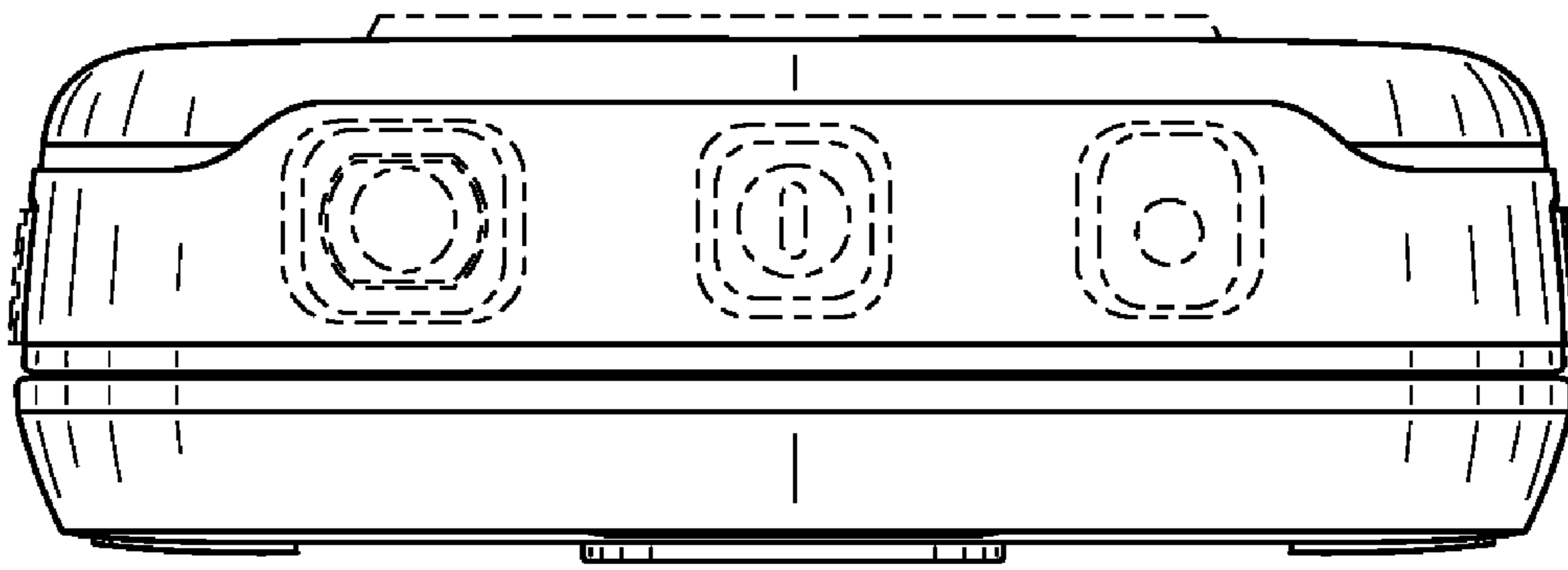


FIG. 6

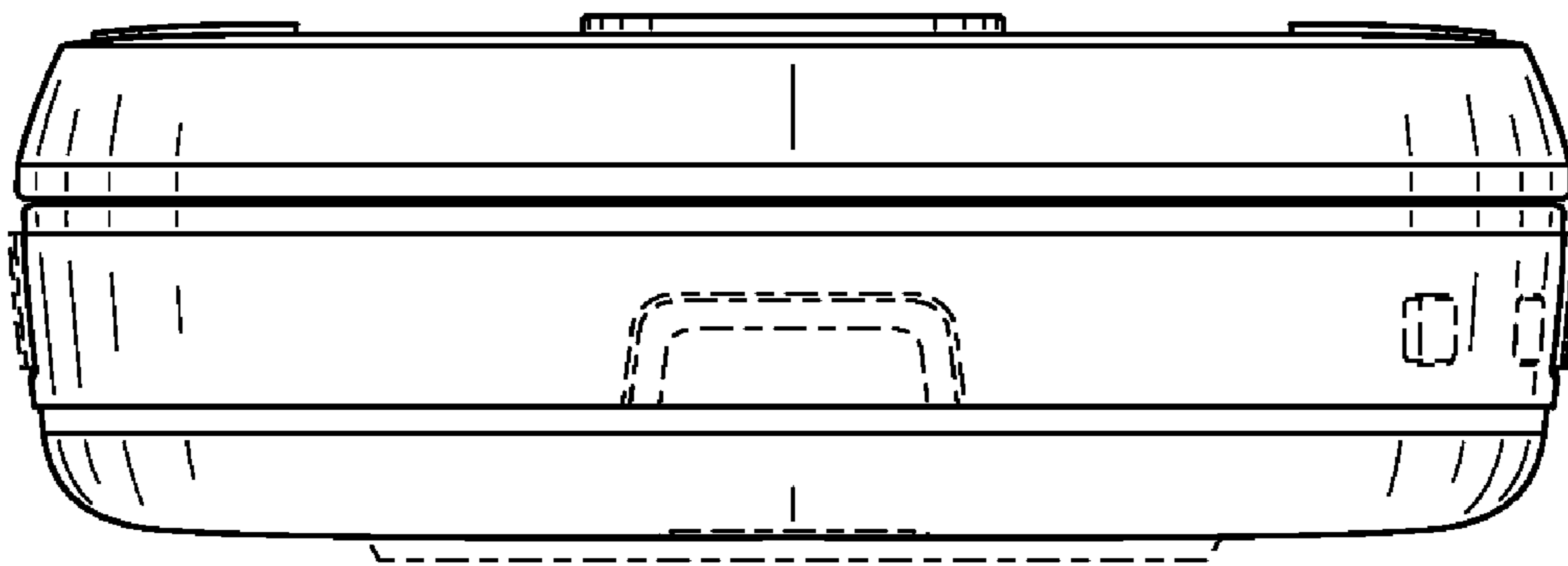


FIG. 7