



US00D617757S

(12) **United States Design Patent**  
**Kim et al.**

(10) **Patent No.:** **US D617,757 S**  
(45) **Date of Patent:** **\*\* Jun. 15, 2010**

(54) **MOBILE PHONE**

(75) Inventors: **Tae-Wan Kim**, Seoul (KR); **Seung-Min Park**, Seoul (KR); **Seog-Guen Kim**, Seoul (KR)

(73) Assignee: **Samsung Electronics Co., Ltd.**, Suwon-Si (KR)

(\*\*) Term: **14 Years**

(21) Appl. No.: **29/340,913**

(22) Filed: **Jul. 28, 2009**

(30) **Foreign Application Priority Data**

Feb. 25, 2009 (KR) ..... 30-2009-0007986

(51) **LOC (9) Cl.** ..... **14-03**

(52) **U.S. Cl.** ..... **D14/138 AD**

(58) **Field of Classification Search** ..... D14/138 R, D14/138 AD, 138 AC, 138 C, 138 G, 191, D14/203.1–203.8, 496, 138 AA, 138 AB, D14/247–248, 137, 147, 218, 341–347; D10/65, D10/78, 104; D13/168; D18/7; 455/566, 455/575.1, 575.3

See application file for complete search history.

(56) **References Cited**

**U.S. PATENT DOCUMENTS**

- D548,713 S \* 8/2007 Lee et al. .... D14/138 AD
- D552,580 S \* 10/2007 Mun ..... D14/138 AD
- D558,720 S \* 1/2008 Lee et al. .... D14/138 AD
- D560,193 S \* 1/2008 Sung et al. .... D14/138 AD
- D568,286 S \* 5/2008 Suk et al. .... D14/138 G
- D577,298 S \* 9/2008 Reeson et al. .... D10/65
- D579,437 S \* 10/2008 Yoon ..... D14/138 G
- D581,894 S \* 12/2008 Kim ..... D14/138 G
- D582,377 S \* 12/2008 Kim et al. .... D14/138 AD
- D585,040 S \* 1/2009 Kim et al. .... D14/138 G
- D585,044 S \* 1/2009 Seo et al. .... D14/138 AD
- D589,924 S \* 4/2009 Jung et al. .... D14/138 AD

- D593,552 S \* 6/2009 Ferrari et al. .... D14/341
- D594,433 S \* 6/2009 Seo et al. .... D14/138 AD
- D596,608 S \* 7/2009 Kim et al. .... D14/138 G
- D600,672 S \* 9/2009 Kim et al. .... D14/203.7

(Continued)

**OTHER PUBLICATIONS**

LG CU915 Vu, announced Mar. 2008, [online], [retrieved on May 14, 2008]. Retrieved from Internet ,<URL: <http://www.gsmarena.com>>.\*

(Continued)

*Primary Examiner*—Jeffrey D Asch  
*Assistant Examiner*—Bridget L Eland  
(74) *Attorney, Agent, or Firm*—Staas & Halsey LLP

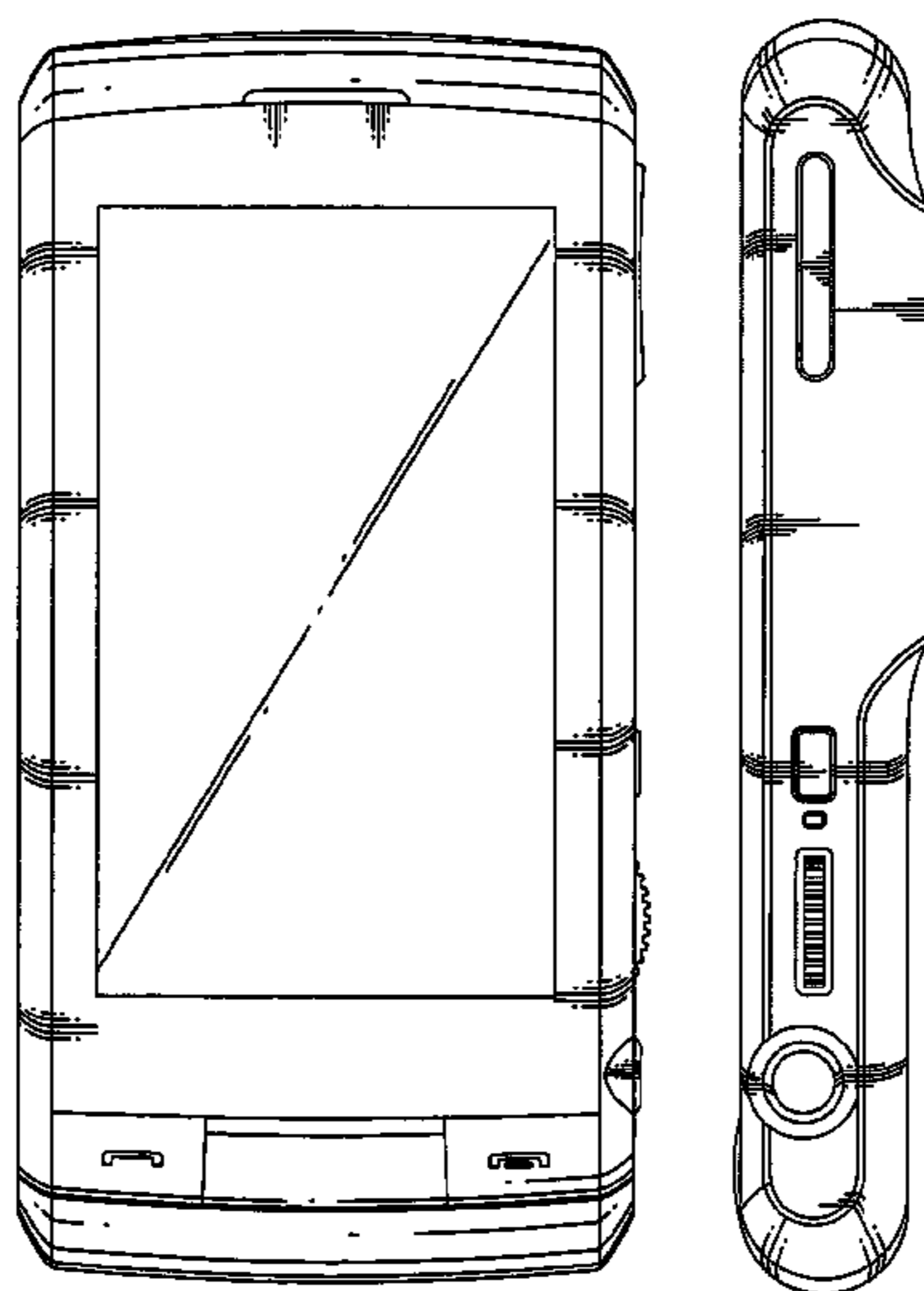
(57) **CLAIM**

The ornamental design for a mobile phone, as shown and described.

**DESCRIPTION**

FIG. 1 is a front perspective view of a mobile phone;  
FIG. 2 is a front view of the mobile phone of FIG. 1;  
FIG. 3 is a rear view of the mobile phone of FIG. 1;  
FIG. 4 is a left-side view of the mobile phone of FIG. 1;  
FIG. 5 is a right-side view of the mobile phone of FIG. 1;  
FIG. 6 is a top plan view of the mobile phone of FIG. 1;  
FIG. 7 is a bottom plan view of the mobile phone of FIG. 1;  
and,  
FIG. 8 is a perspective view of the mobile phone of FIG. 3.

**1 Claim, 5 Drawing Sheets**



# US D617,757 S

Page 2

---

## U.S. PATENT DOCUMENTS

D601,539 S \* 10/2009 Hong ..... D14/138 G  
D601,988 S \* 10/2009 Bang et al. .... D14/138 G  
D606,506 S \* 12/2009 Choi et al. .... D14/138 AD  
2006/0166713 A1 \* 7/2006 Yeh et al. .... 455/575.1  
2007/0218963 A1 \* 9/2007 Kim ..... 455/575.4  
2008/0076480 A1 \* 3/2008 Jeong et al. .... 455/566  
2008/0096616 A1 \* 4/2008 Choi ..... 455/575.1  
2008/0125182 A1 \* 5/2008 Park et al. .... 455/566  
2008/0242359 A1 \* 10/2008 Seol et al. .... 455/566

2009/0312065 A1\* 12/2009 Wang et al. .... 455/566

## OTHER PUBLICATIONS

LG GC900 Viewty Smart, announced Apr. 2009, [online], [retrieved on Apr. 16, 2009]. Retrieved from Internet ,<URL: <http://www.gsmarena.com>>.\*  
T-Mobile MDA Compact V, announced Feb. 2009, [online], [retrieved on Jun. 12, 2009]. Retrieved from Internet ,<URL: <http://www.gsmarena.com>>.\*

\* cited by examiner

FIG. 1

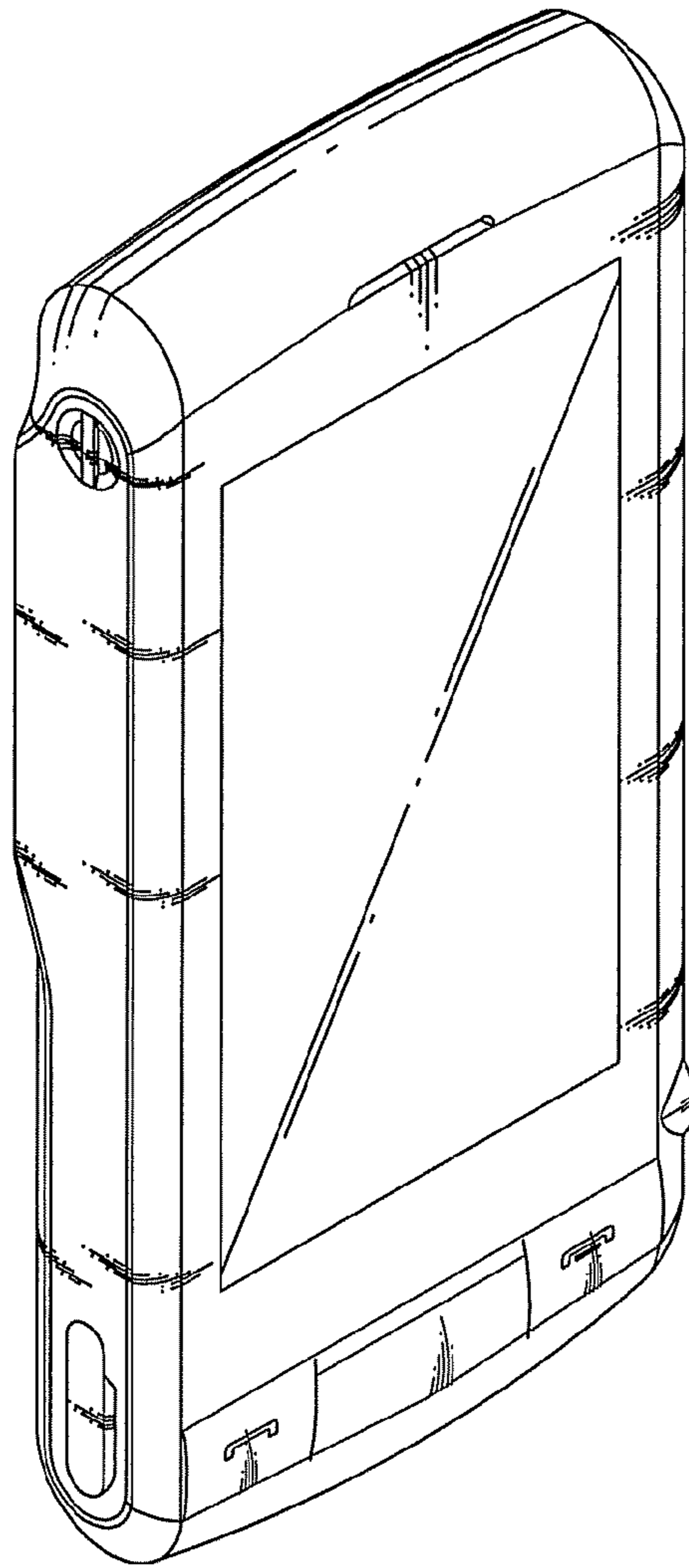


FIG. 2

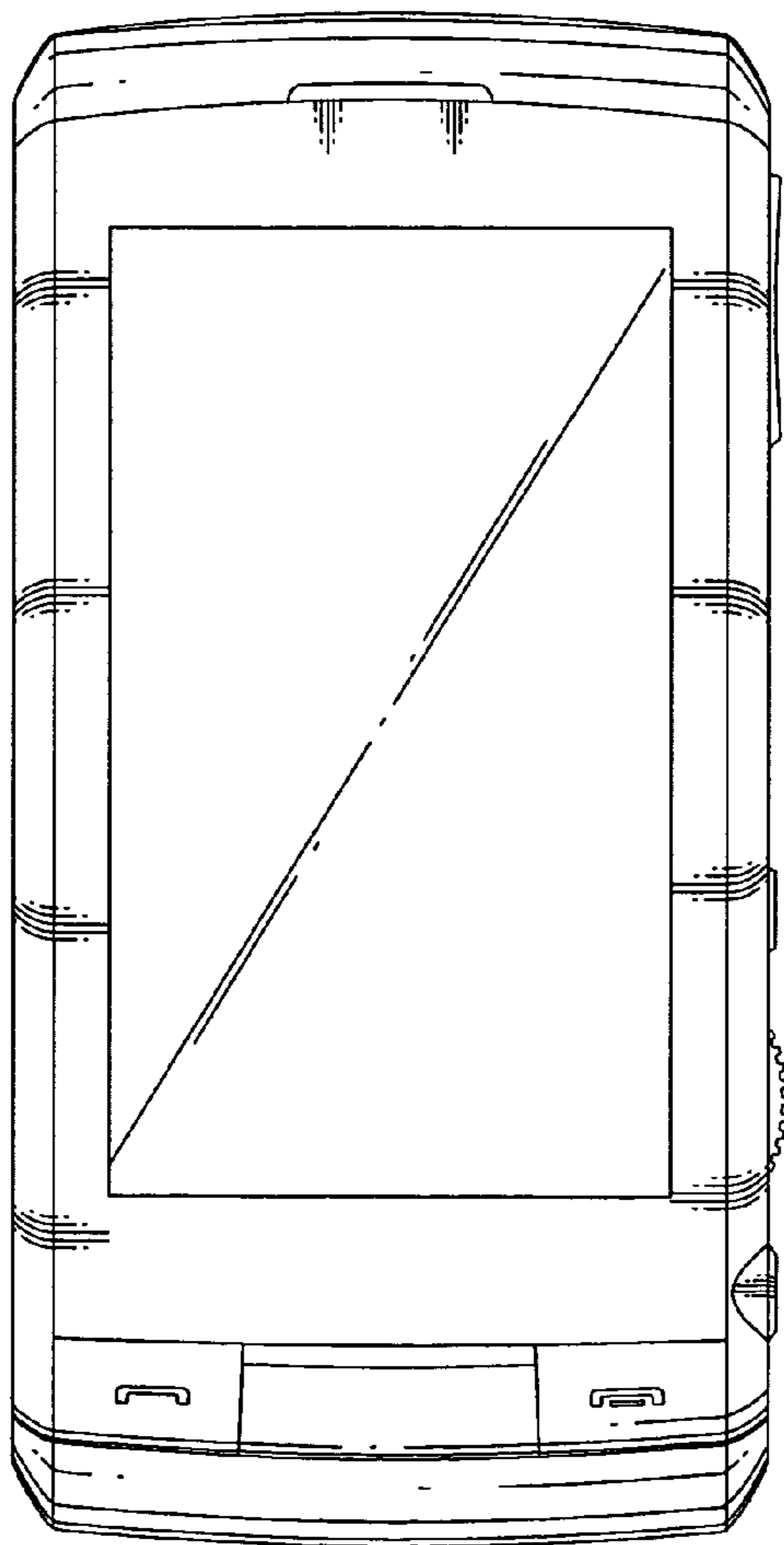


FIG. 3

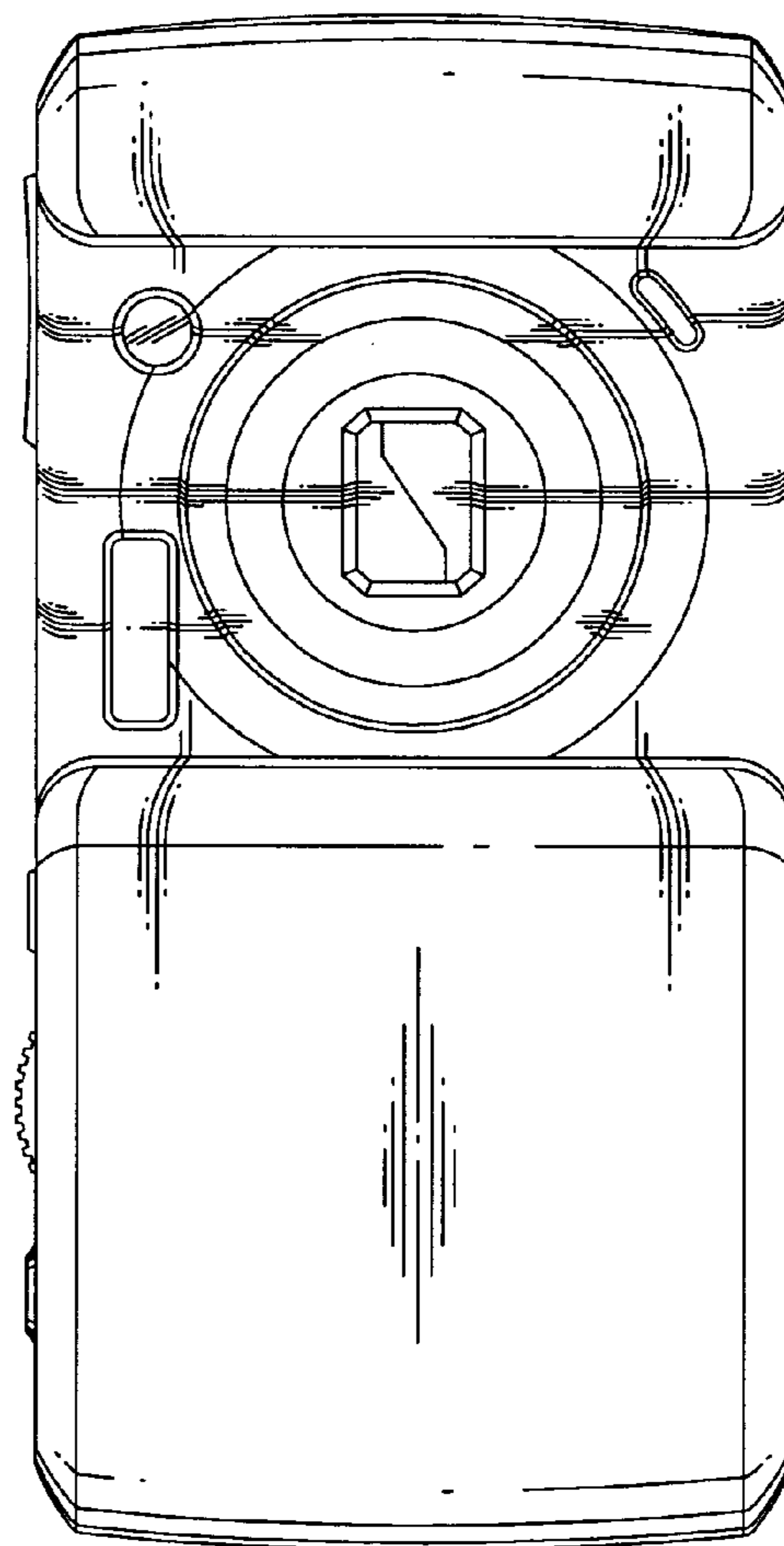
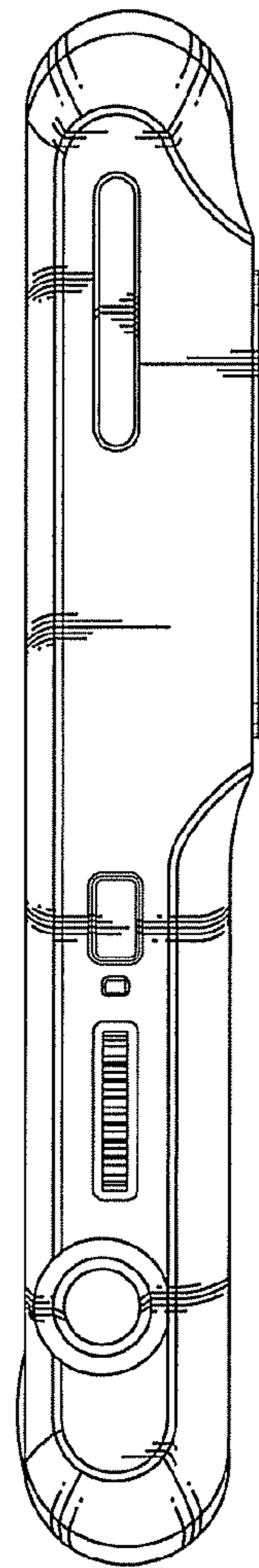
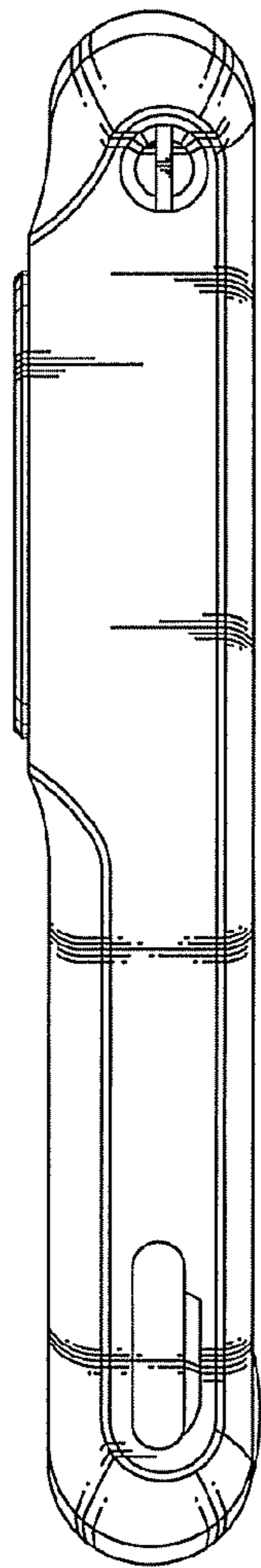
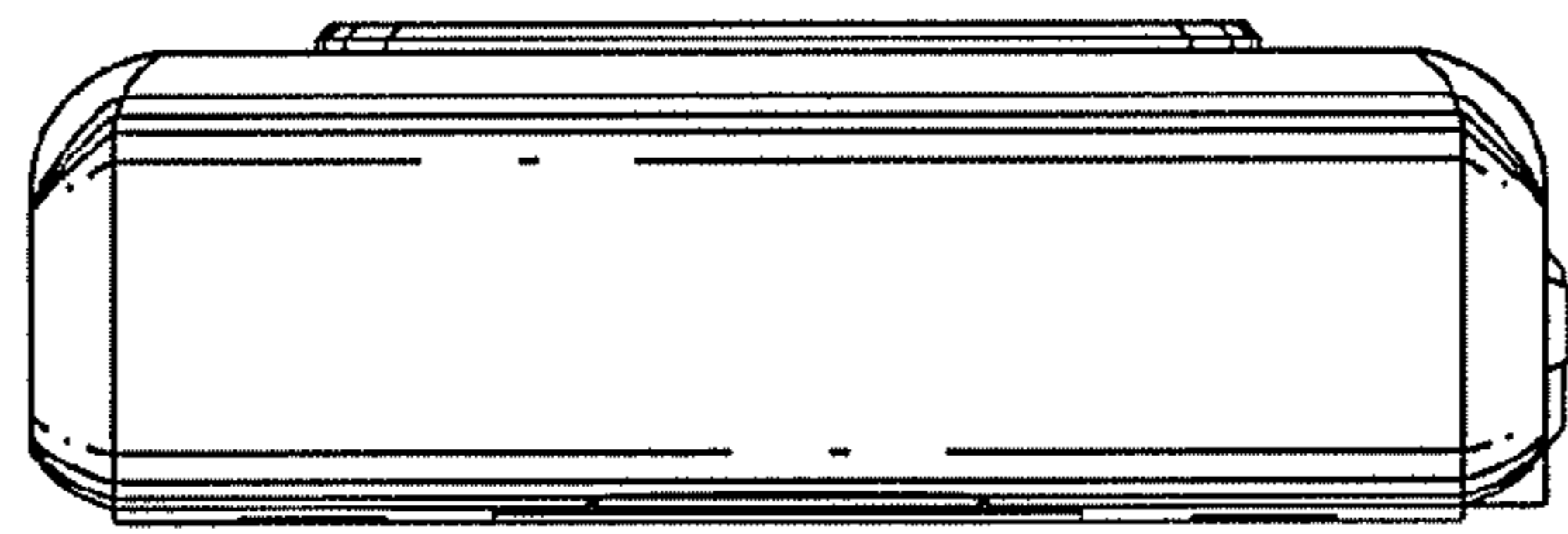


FIG. 4

FIG. 5



**FIG.6**



**FIG.7**

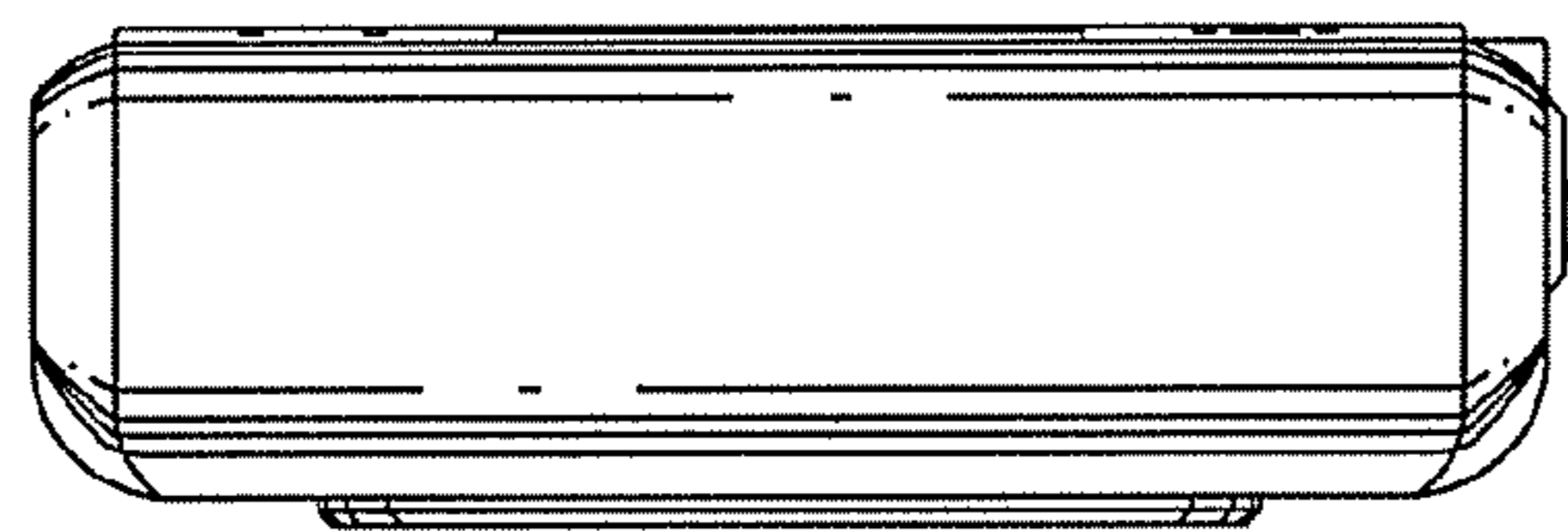


FIG. 8

