



US00D617744S

(12) **United States Design Patent**
Landerholm et al.

(10) **Patent No.:** **US D617,744 S**
(45) **Date of Patent:** **** Jun. 15, 2010**

(54) **HAND CONTROLLER**

2005/0143681 A1* 6/2005 Brattesani et al. 601/72

(75) Inventors: **John Landerholm**, Aarhus C (DK);
Peter Boldsen Lund, Aarhus C (DK)

* cited by examiner

(73) Assignee: **Linak A/S**, Nordborg (DK)

Primary Examiner—Selina Sikder

(74) *Attorney, Agent, or Firm*—Dykema Gossett PLLC

(**) Term: **14 Years**

(57) **CLAIM**

(21) Appl. No.: **29/300,915**

The ornamental design for a hand controller, as shown and described.

(22) Filed: **May 29, 2008**

DESCRIPTION

Related U.S. Application Data

(62) Division of application No. 29/259,562, filed on May 11, 2006, now Pat. No. Des. 572,205.

FIG. 1 is a front elevational view of a first embodiment of a hand controller according to our design,

FIG. 2 is a rear elevational view thereof,

FIG. 3 is a right side elevational view thereof,

FIG. 4 is a left side elevational view thereof,

FIG. 5 is a top plan view thereof,

FIG. 6 is a bottom plan view thereof,

FIG. 7 is a front perspective view thereof, and

FIG. 8 is a rear perspective view thereof,

FIG. 9 is a front elevational view of a second embodiment of a hand controller according to our design,

FIG. 10 is a rear elevational view thereof,

FIG. 11 is a right side elevational view thereof,

FIG. 12 is a left side elevational view thereof,

FIG. 13 is a top plan view thereof,

FIG. 14 is a bottom plan view thereof,

FIG. 15 is a front perspective view thereof; and,

FIG. 16 is a rear perspective view thereof.

(30) **Foreign Application Priority Data**

Nov. 11, 2005 (DK) DA 2005 00329

(51) **LOC (9) Cl.** **14-03**

(52) **U.S. Cl.** **D13/168**

(58) **Field of Classification Search** D13/168;
D10/104, 106; D14/218, 247; 340/825.22,
340/825.24, 825.25, 825.31, 825.36, 825.69,
340/825.72; 341/176; 455/352

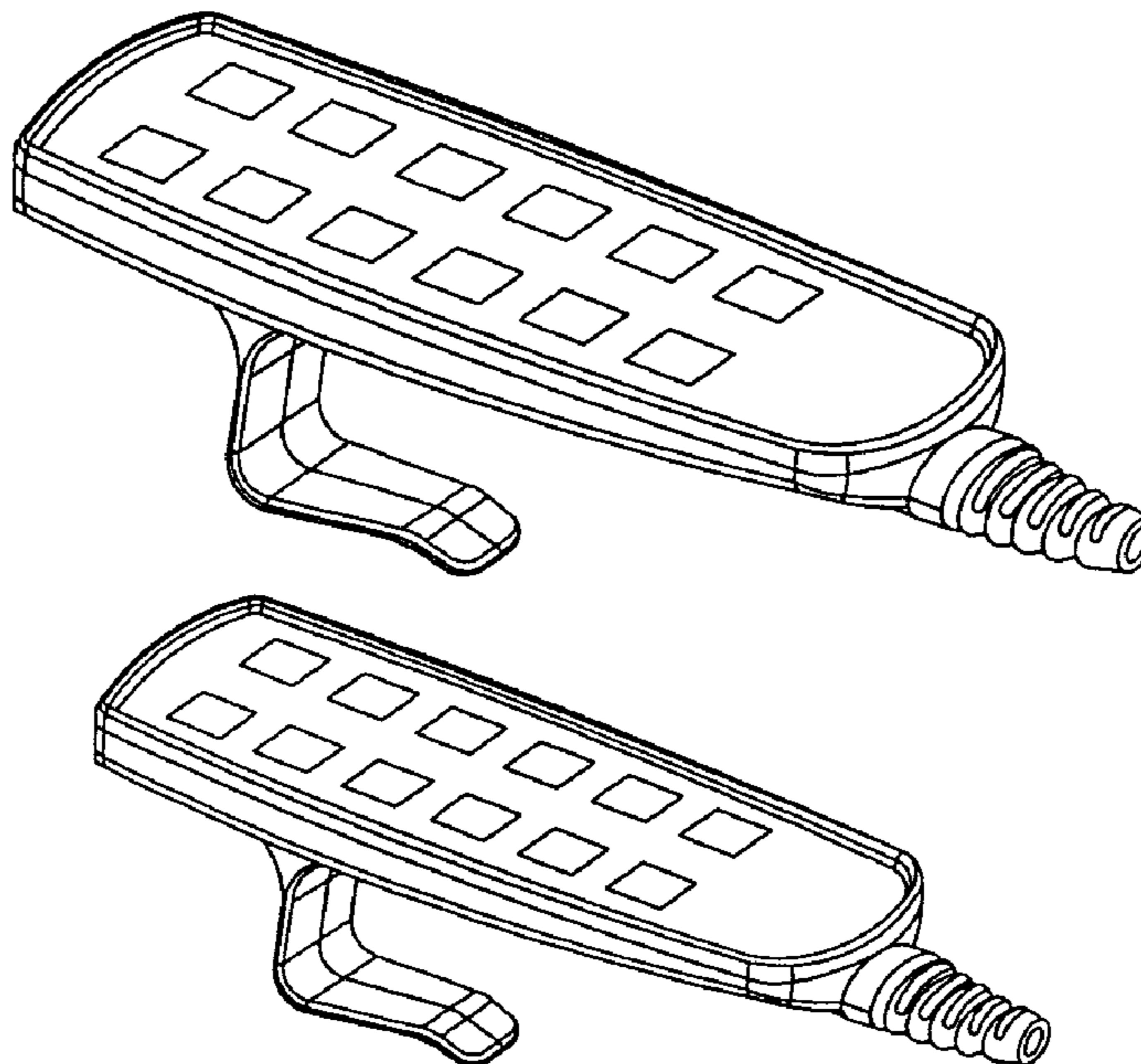
See application file for complete search history.

(56) **References Cited**

U.S. PATENT DOCUMENTS

| | | | |
|----------------|---------|------------------------|---------|
| D293,669 S * | 1/1988 | Ogilvie | D13/168 |
| D451,891 S * | 12/2001 | Noonan et al. | D13/168 |
| D496,633 S * | 9/2004 | Krause | D13/168 |
| D521,943 S * | 5/2006 | Betteridge | D13/168 |
| D524,254 S * | 7/2006 | van Himbeek | D13/168 |
| 7,142,256 B2 * | 11/2006 | Stoner et al. | 348/734 |
| D572,205 S * | 7/2008 | Landerholm et al. | D13/168 |

1 Claim, 2 Drawing Sheets



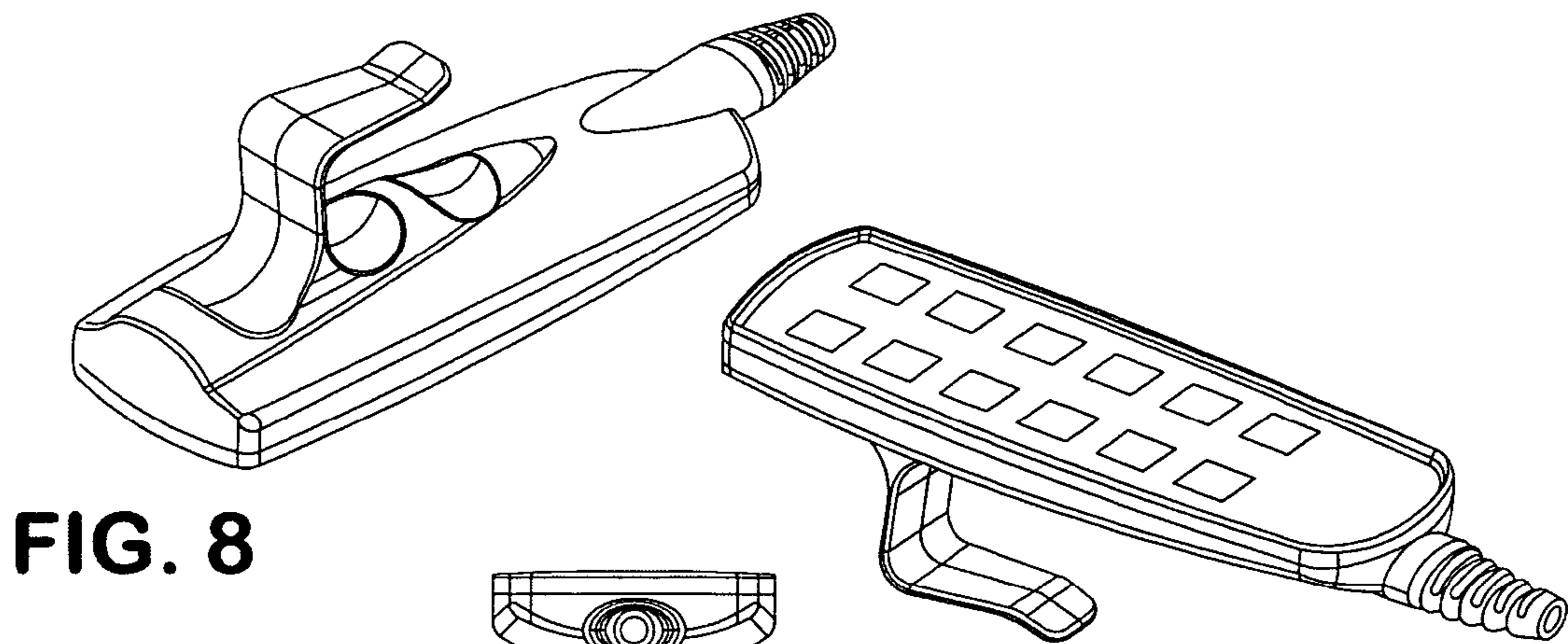


FIG. 8

FIG. 7

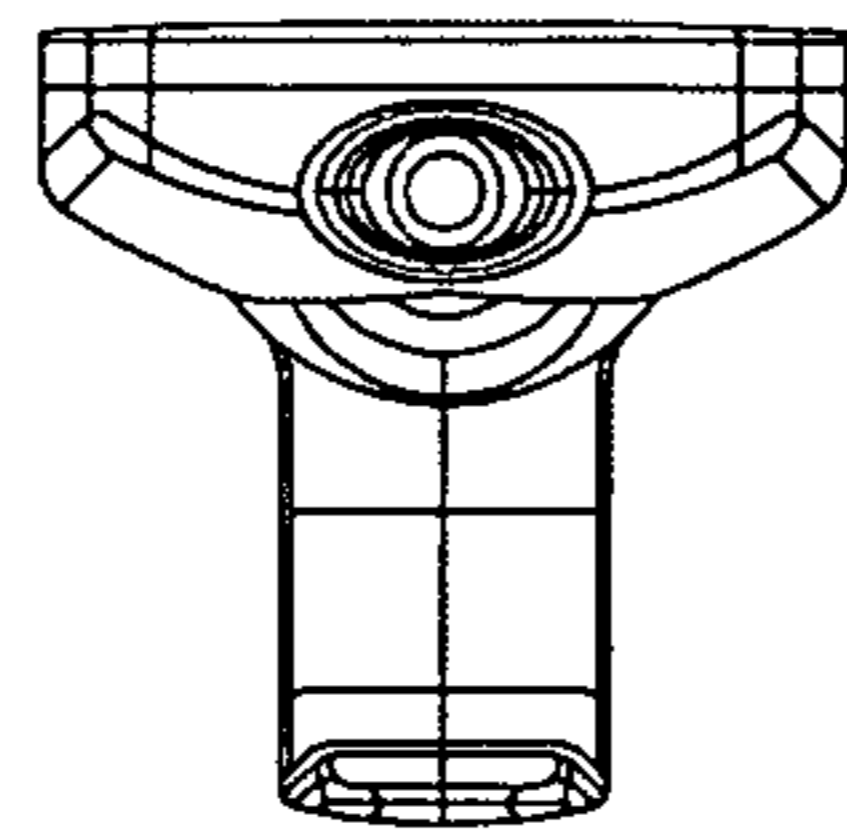


FIG. 6

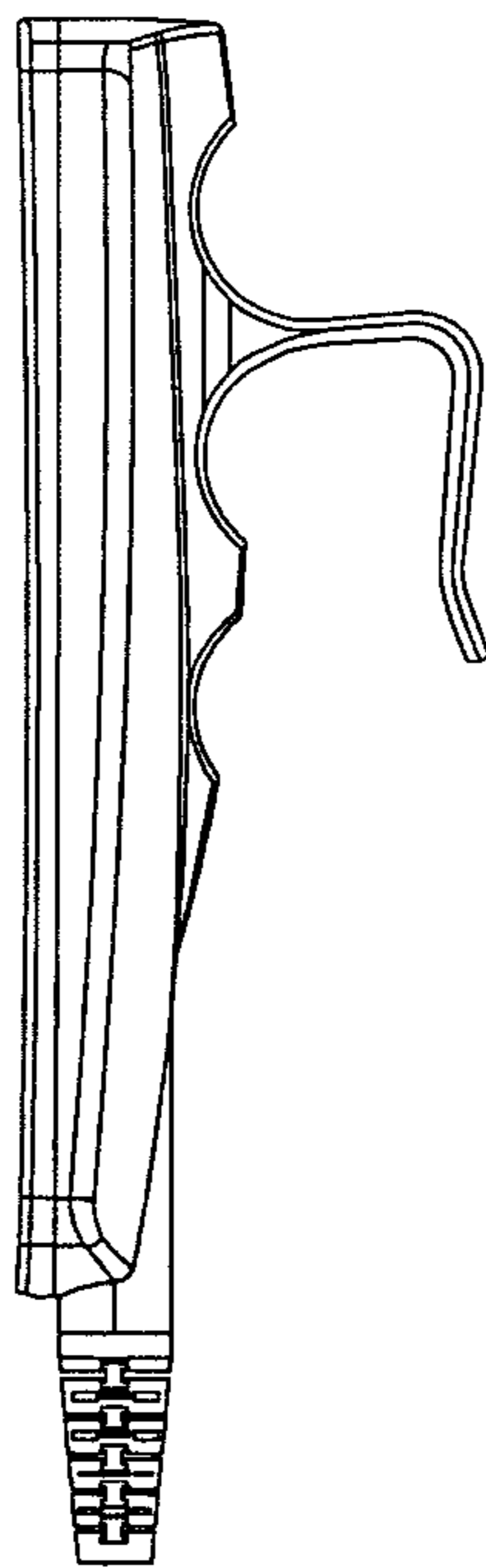


FIG. 4

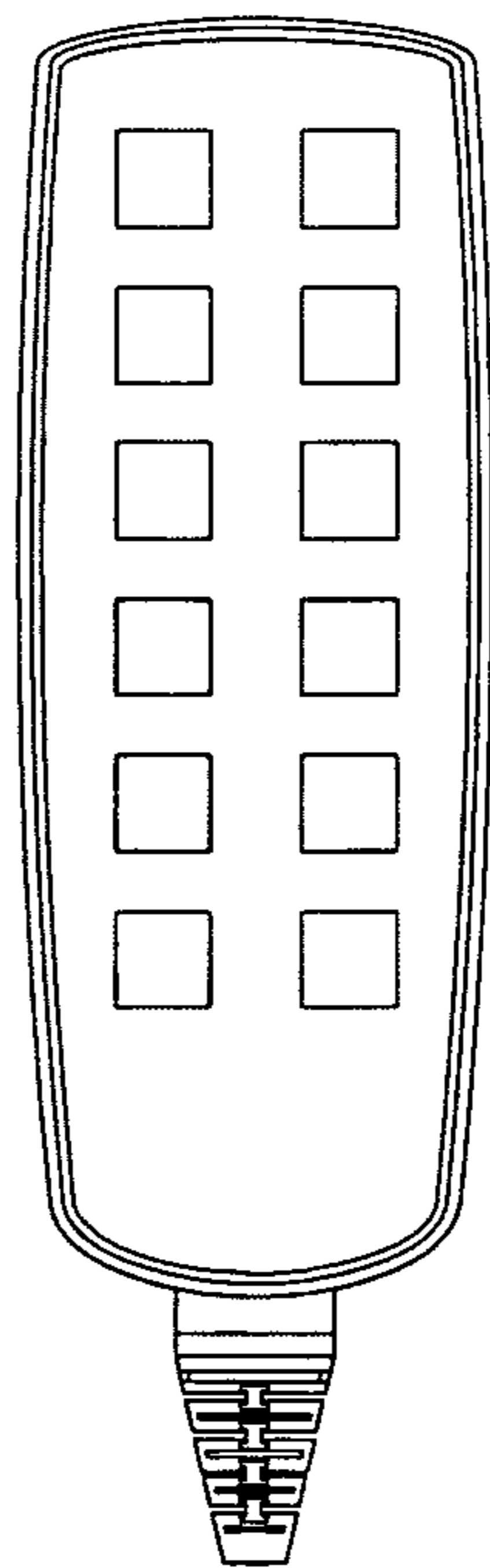


FIG. 1

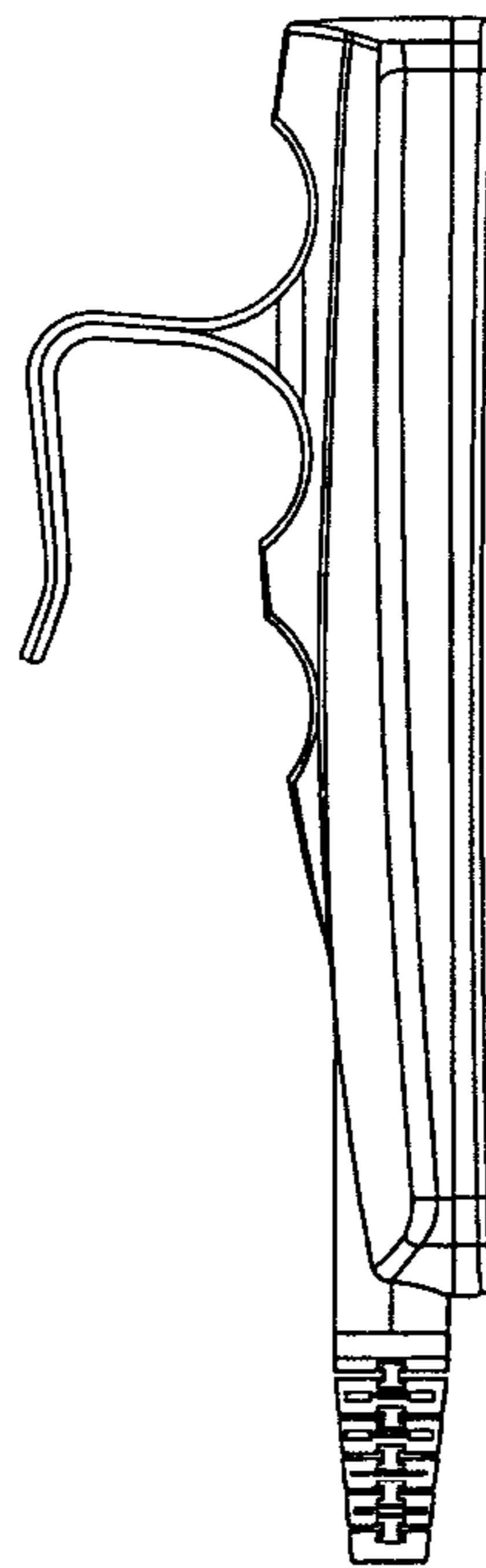


FIG. 3

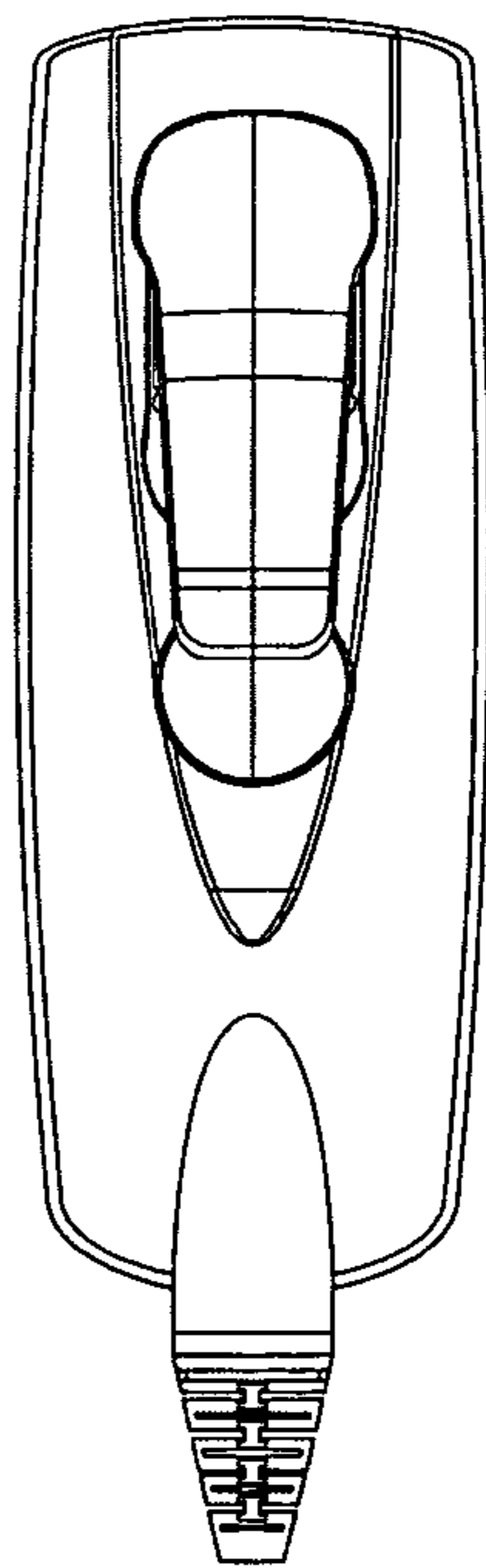


FIG. 2

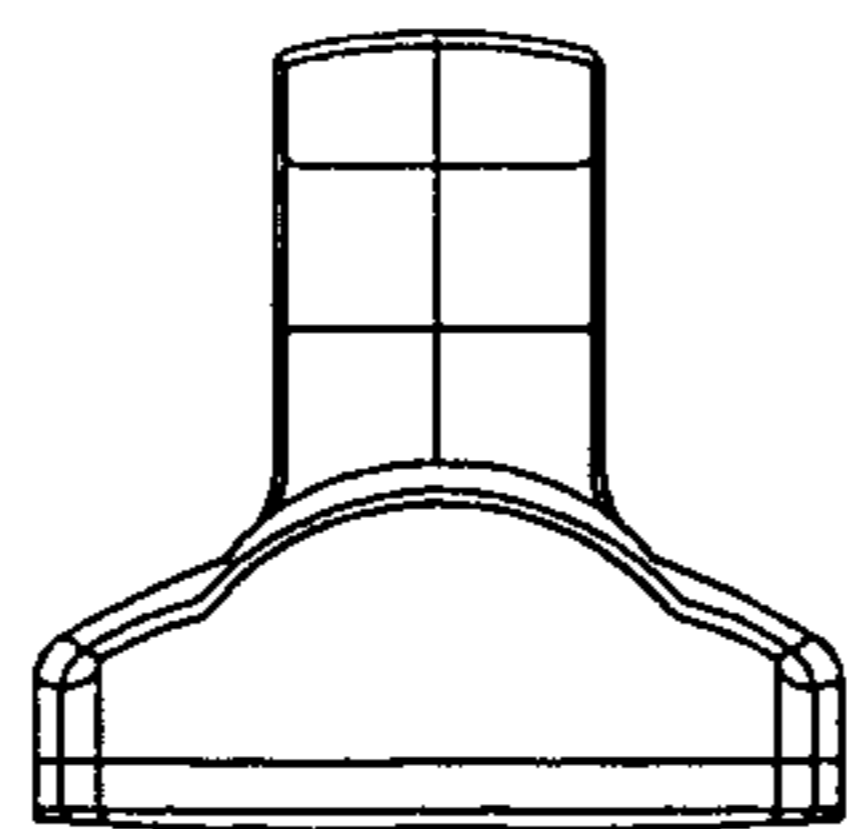


FIG. 5

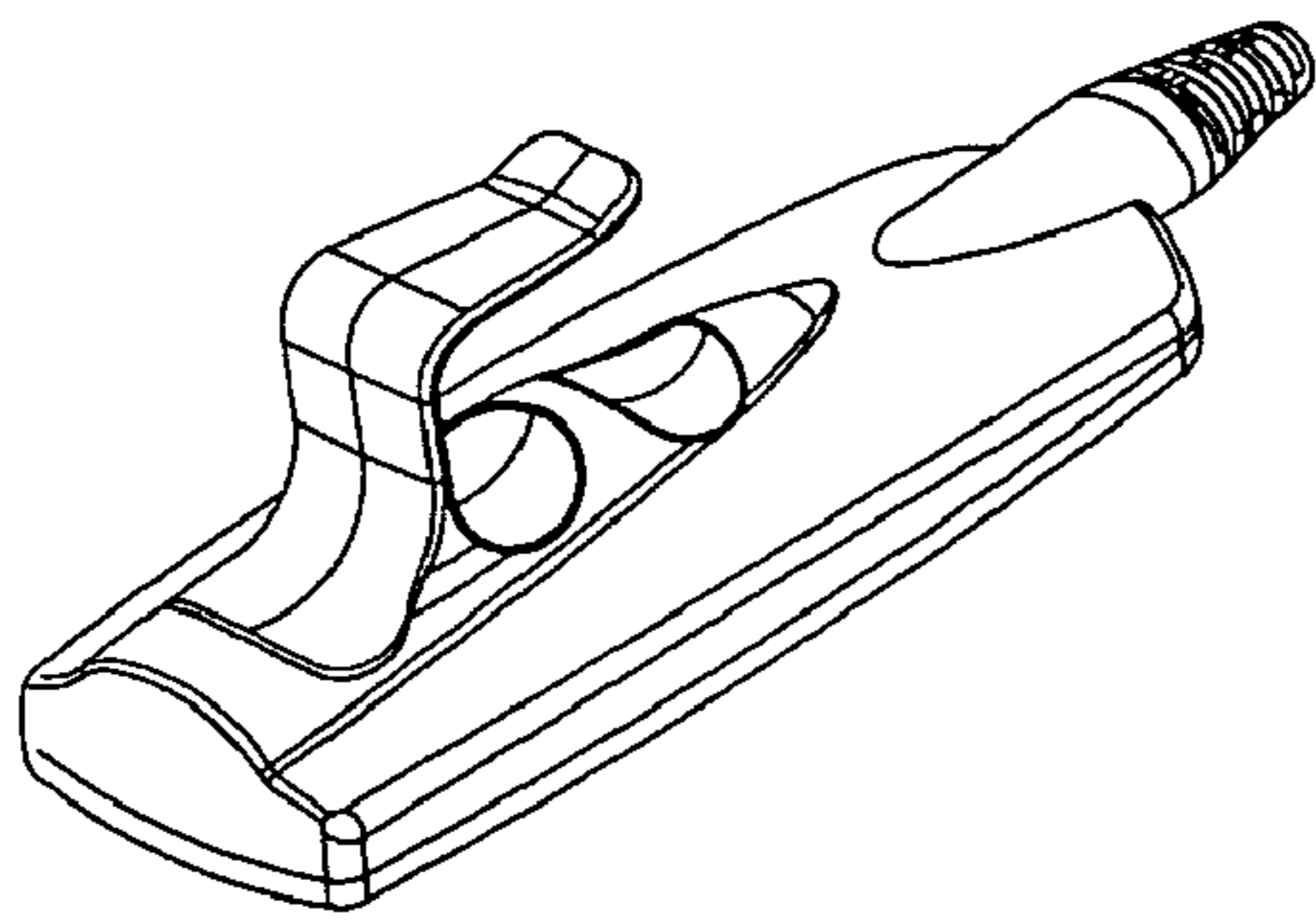


FIG. 16

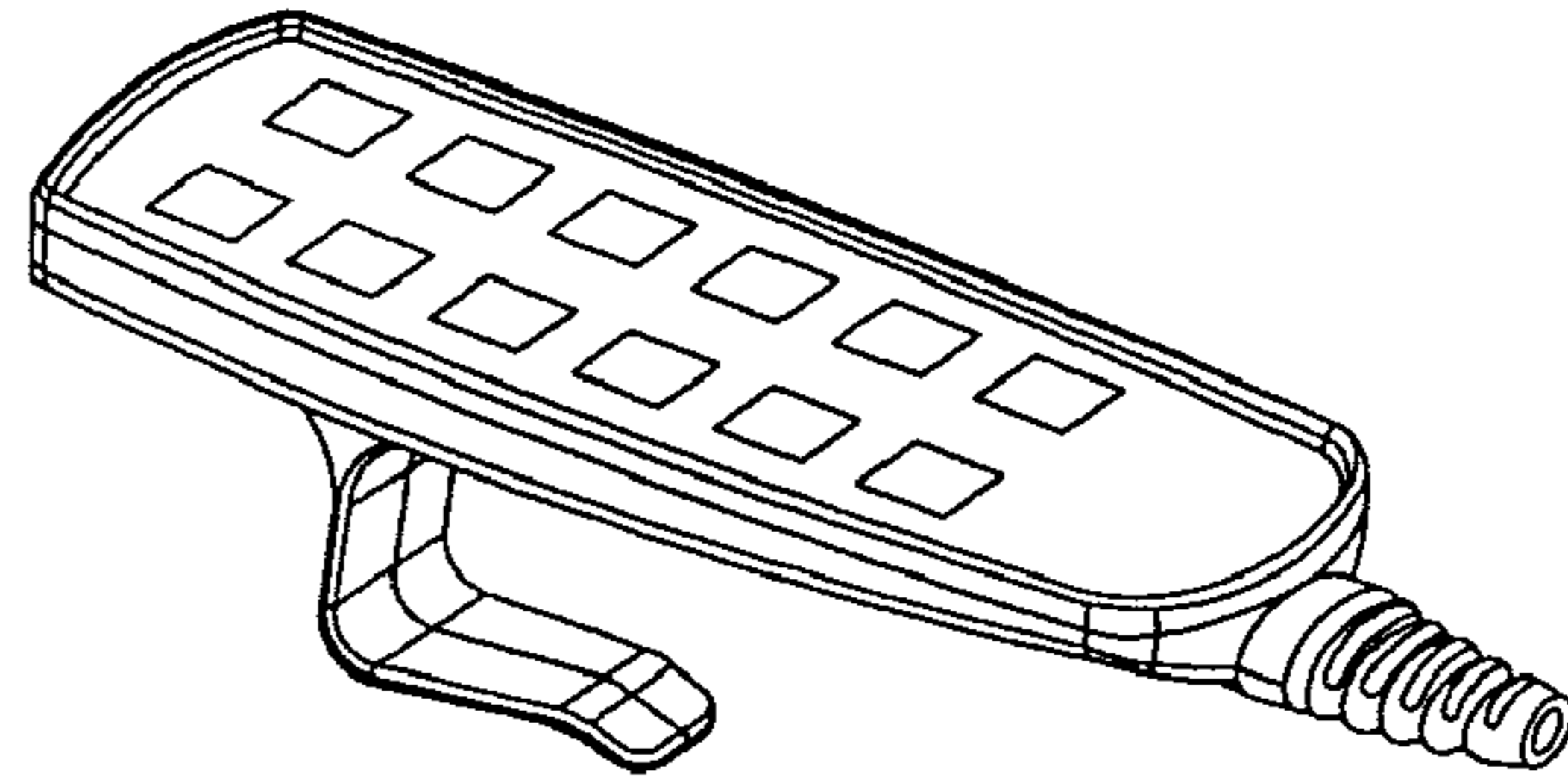


FIG. 15

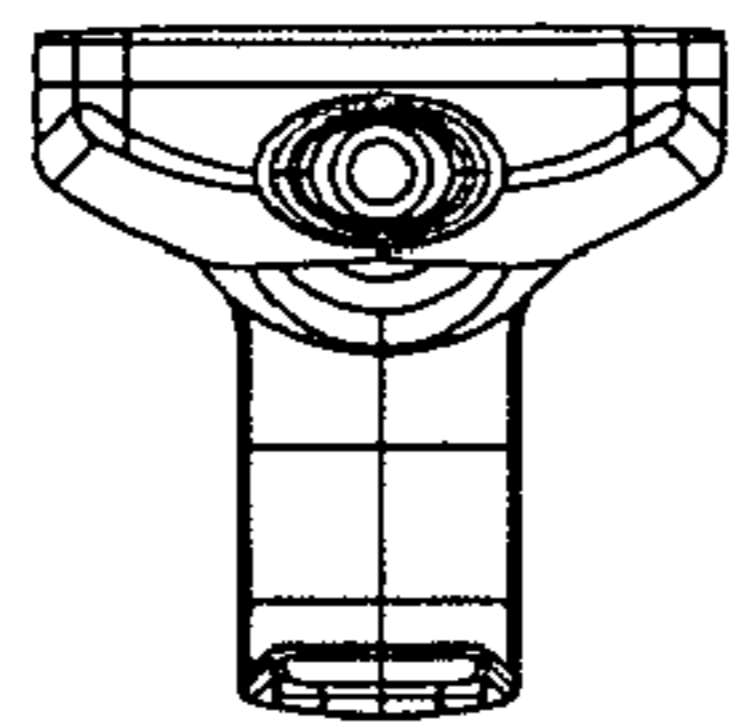


FIG. 14

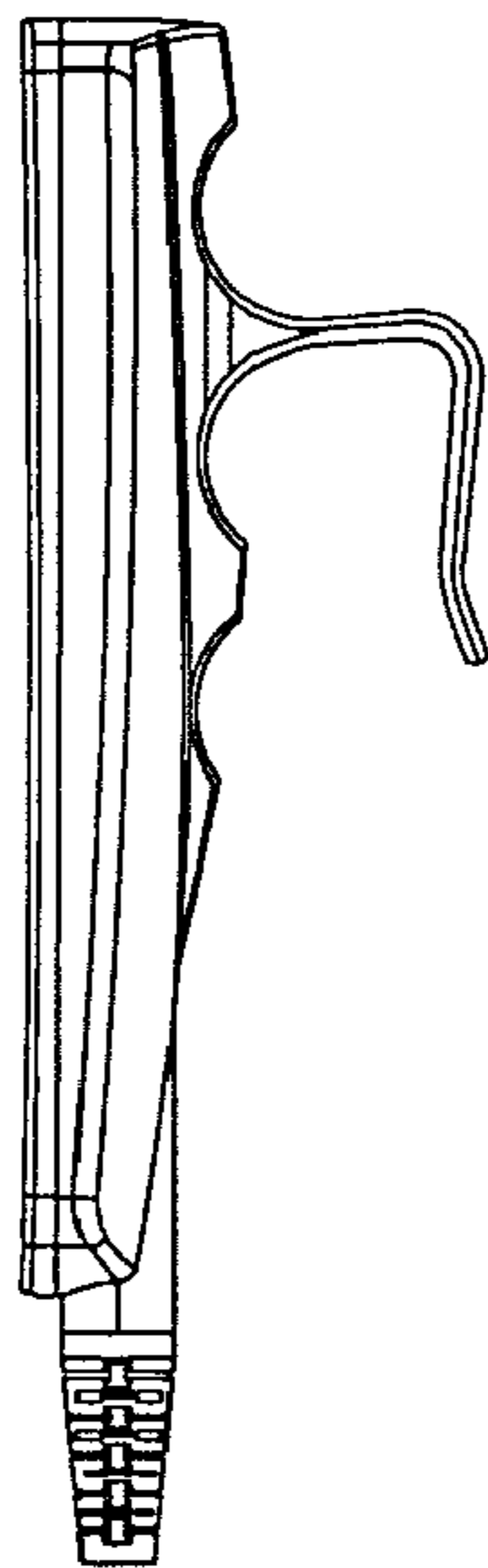


FIG. 12

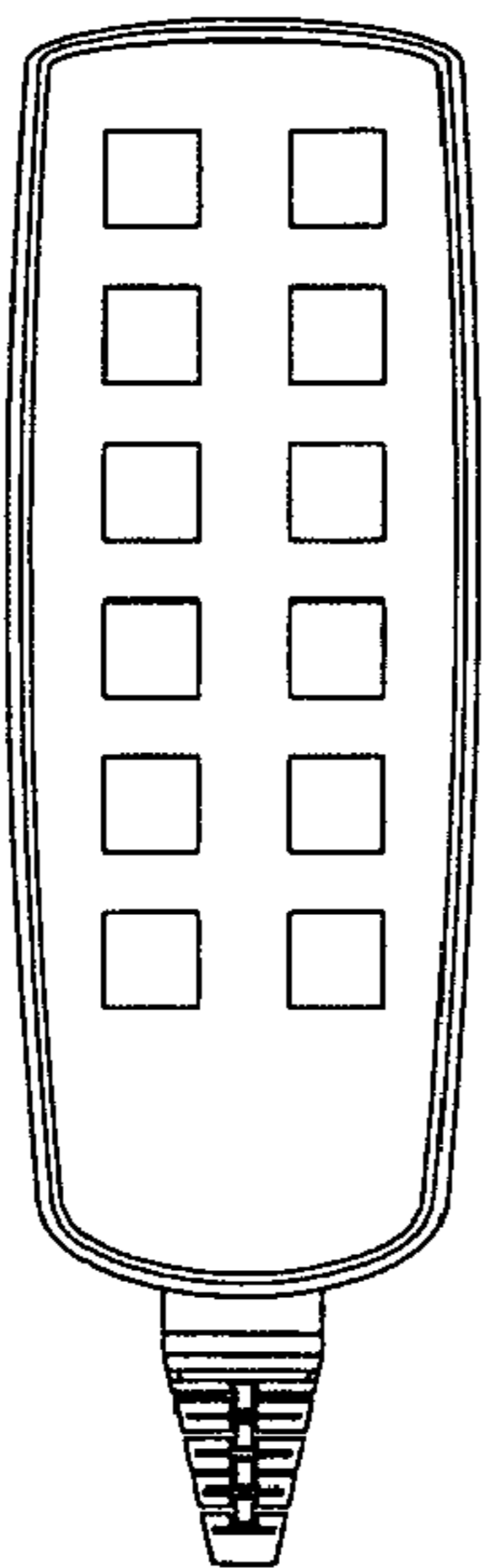


FIG. 9

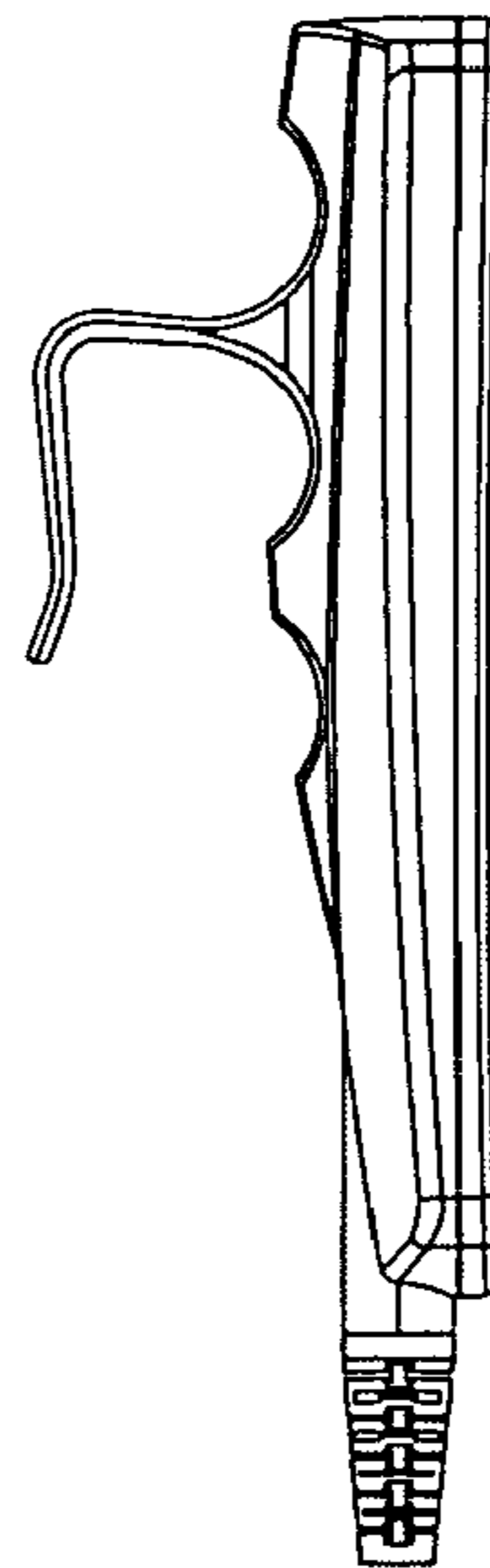


FIG. 11

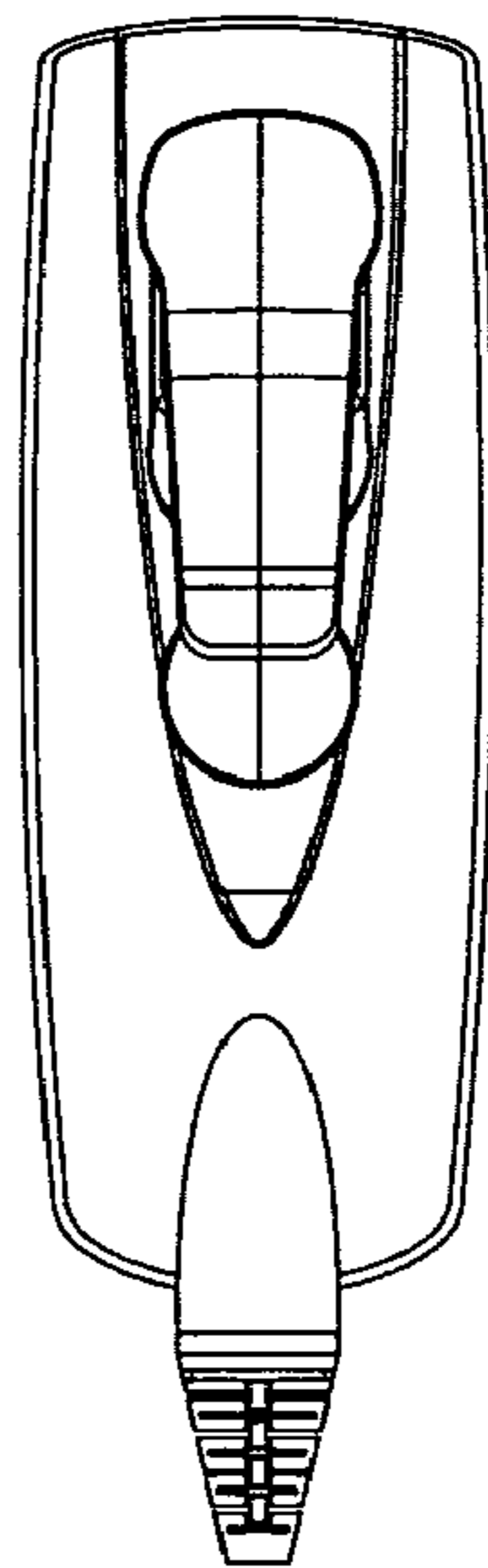


FIG. 10

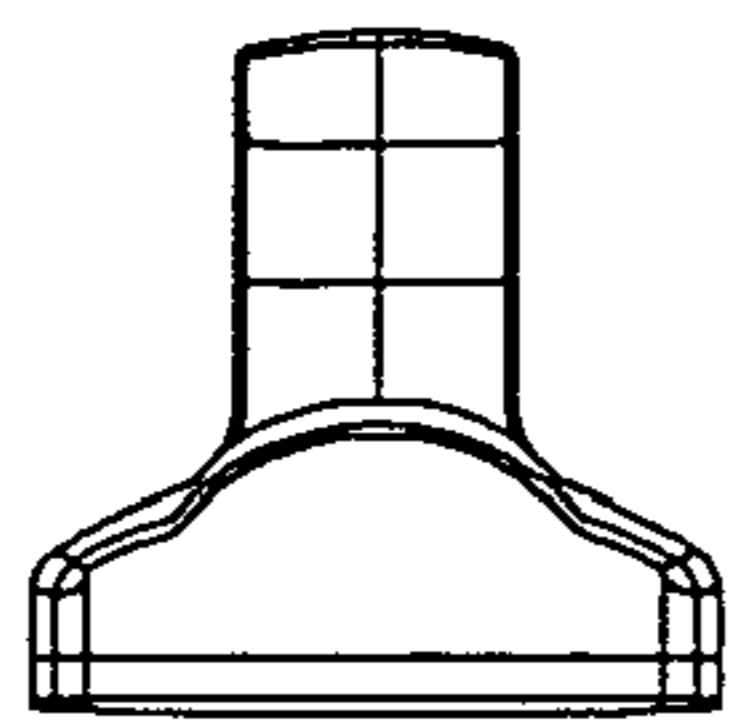


FIG. 13