



US00D617743S

(12) **United States Design Patent**
Arosio

(10) **Patent No.:** **US D617,743 S**
(45) **Date of Patent:** **** Jun. 15, 2010**

(54) **CONTROL PHOTOCELL**

- (75) Inventor: **Oliviero Arosio**, Lissone (IT)
- (73) Assignee: **GL.BI.DI. Continental S.p.A.**, Poggio Rusco (IT)
- (**) Term: **14 Years**
- (21) Appl. No.: **29/287,704**
- (22) Filed: **Sep. 10, 2007**
- (30) **Foreign Application Priority Data**
Mar. 13, 2007 (EM) 000688163
- (51) **LOC (9) Cl.** **13-03**
- (52) **U.S. Cl.** **D13/165**
- (58) **Field of Classification Search** D13/165,
D13/171, 184, 199, 147, 164; D8/310; D10/108,
D10/116, 118; 200/5 A, 412, 513, 520, 530,
200/537, 552, 237, 275, 276.1, 296, 297,
200/310, 302.1, 302.3, 314, 329, 333, 341;
250/201.1, 221, 222.1, 214; 315/158; 385/39,
385/55, 88; 435/7.2
See application file for complete search history.

(56) **References Cited**

U.S. PATENT DOCUMENTS

- D421,422 S * 3/2000 La Police D13/165
- 6,133,991 A * 10/2000 Ake 356/4.08
- D516,043 S * 2/2006 Jacoby et al. D13/165
- D518,778 S * 4/2006 Wardenburg D13/134
- D557,219 S * 12/2007 Detering D13/165
- D560,621 S * 1/2008 Horio et al. D13/165
- D574,334 S * 8/2008 Bonnaud D13/165
- 2006/0274537 A1 * 12/2006 Randazzo 362/413

* cited by examiner

Primary Examiner—Daniel D Bui

Assistant Examiner—Thomas J Johannes

(74) *Attorney, Agent, or Firm*—Modiano & Associati; Albert Josif; Daniel J. O’Byrne

(57) **CLAIM**

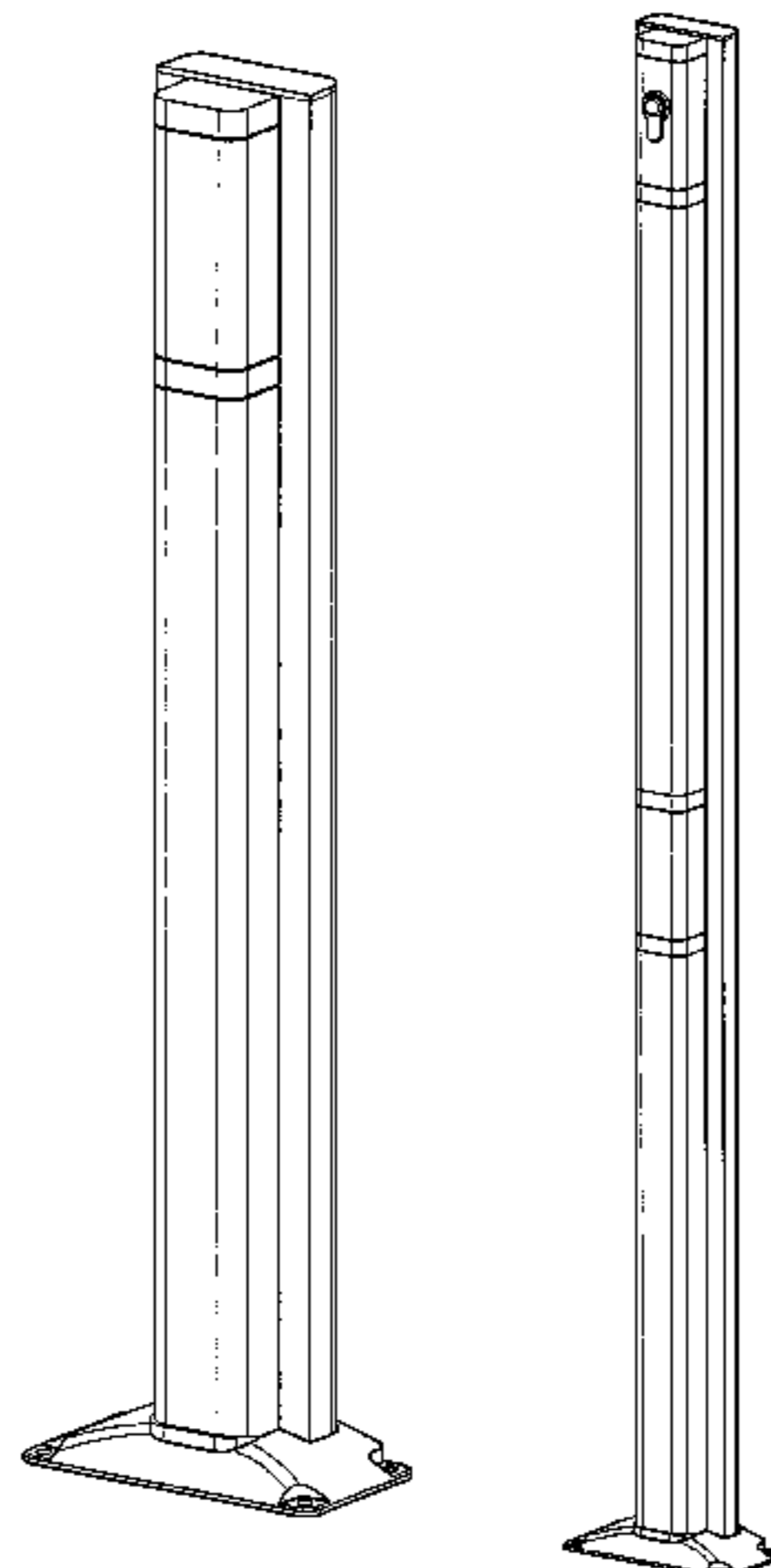
The ornamental design for “a control photocell”, as shown and described.

DESCRIPTION

FIG. 1 is a front perspective view of a first embodiment of a control photocell, showing my new design;
 FIG. 2 is a front view thereof;
 FIG. 3 is a rear view thereof;
 FIG. 4 is a right side view thereof;
 FIG. 5 is a left side view thereof;
 FIG. 6 is a top plan view thereof;
 FIG. 7 is a bottom plan view thereof;
 FIG. 8 is a perspective view of a second embodiment of a control photocell, showing my new design;
 FIG. 9 is a front view thereof;
 FIG. 10 is a rear view thereof;
 FIG. 11 is a right side view thereof;
 FIG. 12 is a left side view thereof;
 FIG. 13 is a top plan view thereof;
 FIG. 14 is a bottom plan view thereof;
 FIG. 15 is a perspective view of a third embodiment of a control photocell, showing my new design;
 FIG. 16 is a front view thereof;
 FIG. 17 is a rear view thereof;
 FIG. 18 is a right side view thereof;
 FIG. 19 is a left side view thereof;
 FIG. 20 is a top plan view thereof;
 FIG. 21 is a bottom plan view thereof;
 FIG. 22 is a perspective view of a fourth embodiment of a control photocell, showing my new design;
 FIG. 23 is a front view thereof;
 FIG. 24 is a rear view thereof;
 FIG. 25 is a right side view thereof;
 FIG. 26 is a left side view thereof;
 FIG. 27 is a top plan view thereof; and,
 FIG. 28 is a bottom plan view thereof.

The broken line showing portions of the design’s bottom in the figure drawings is included to show unclaimed subject-matter only and forms no part of the claimed design.

1 Claim, 24 Drawing Sheets



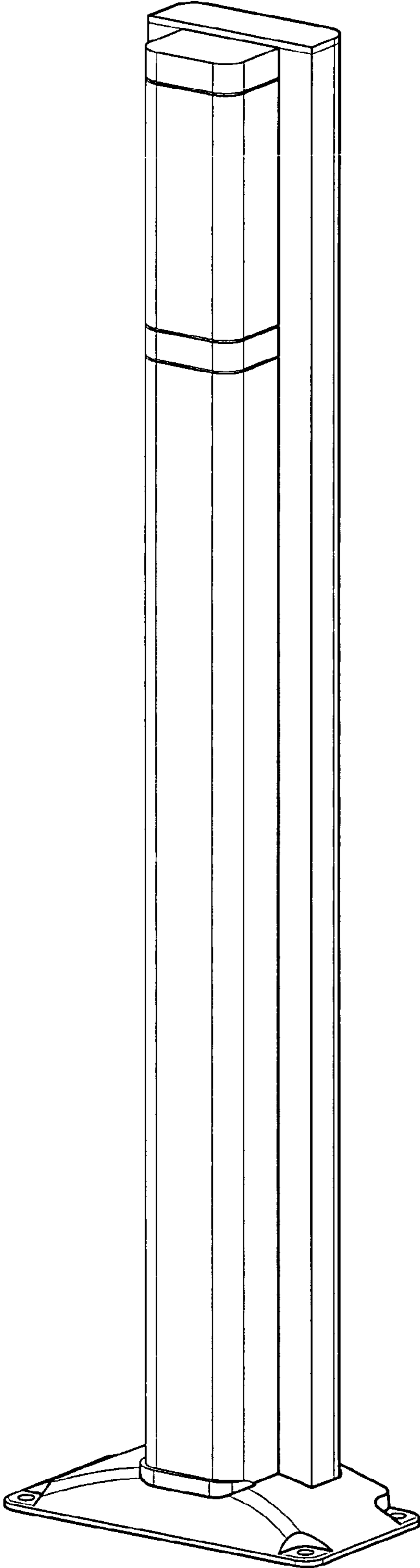


Fig. 1

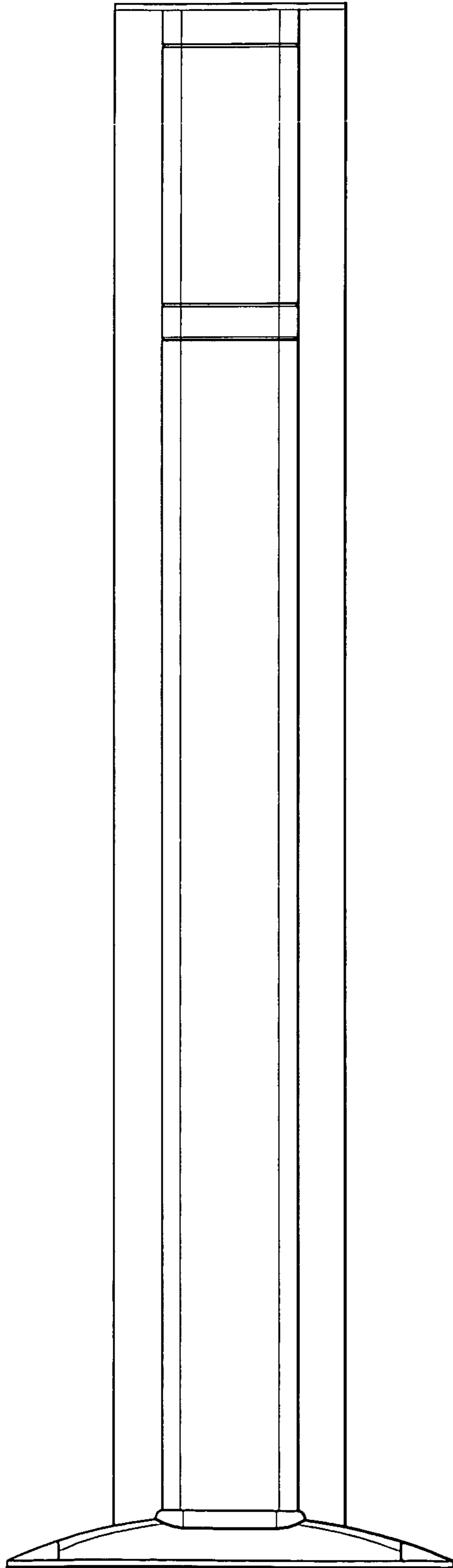


Fig. 2

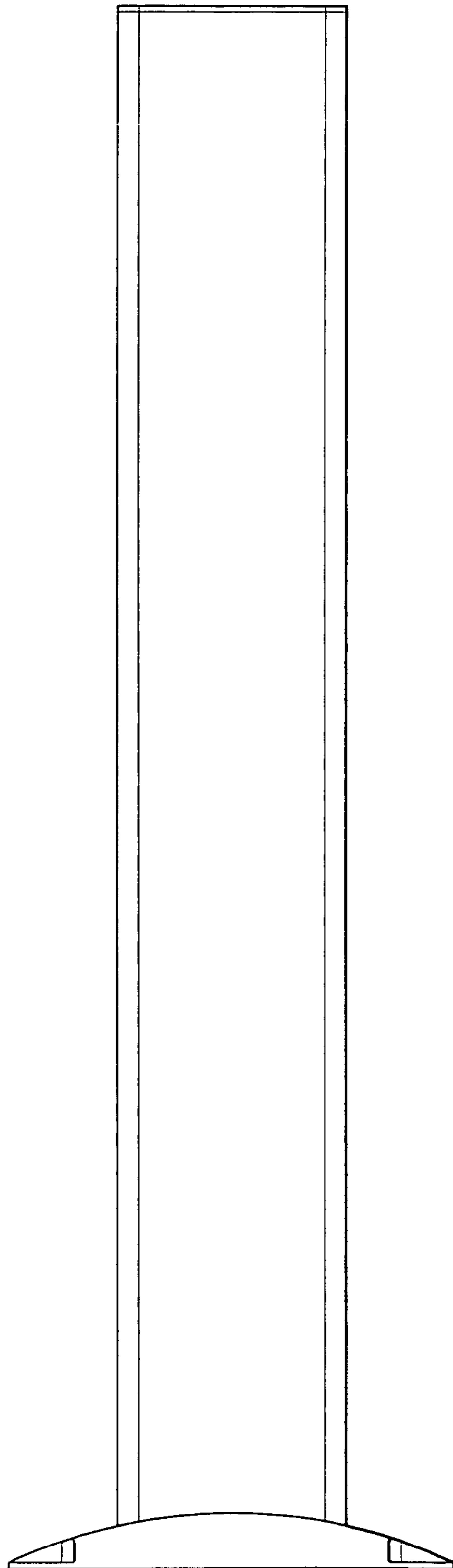


Fig. 3

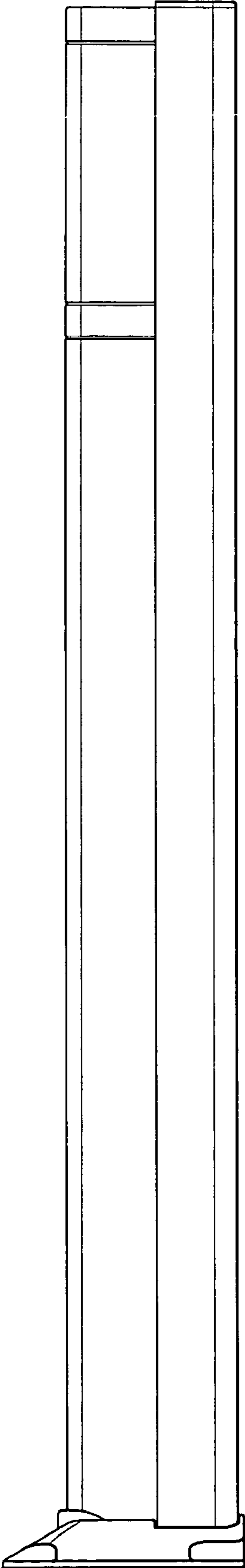


Fig. 4

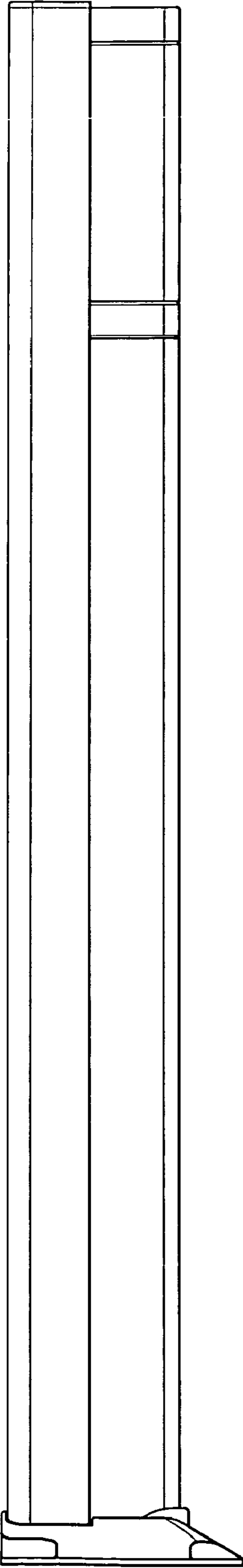


Fig. 5

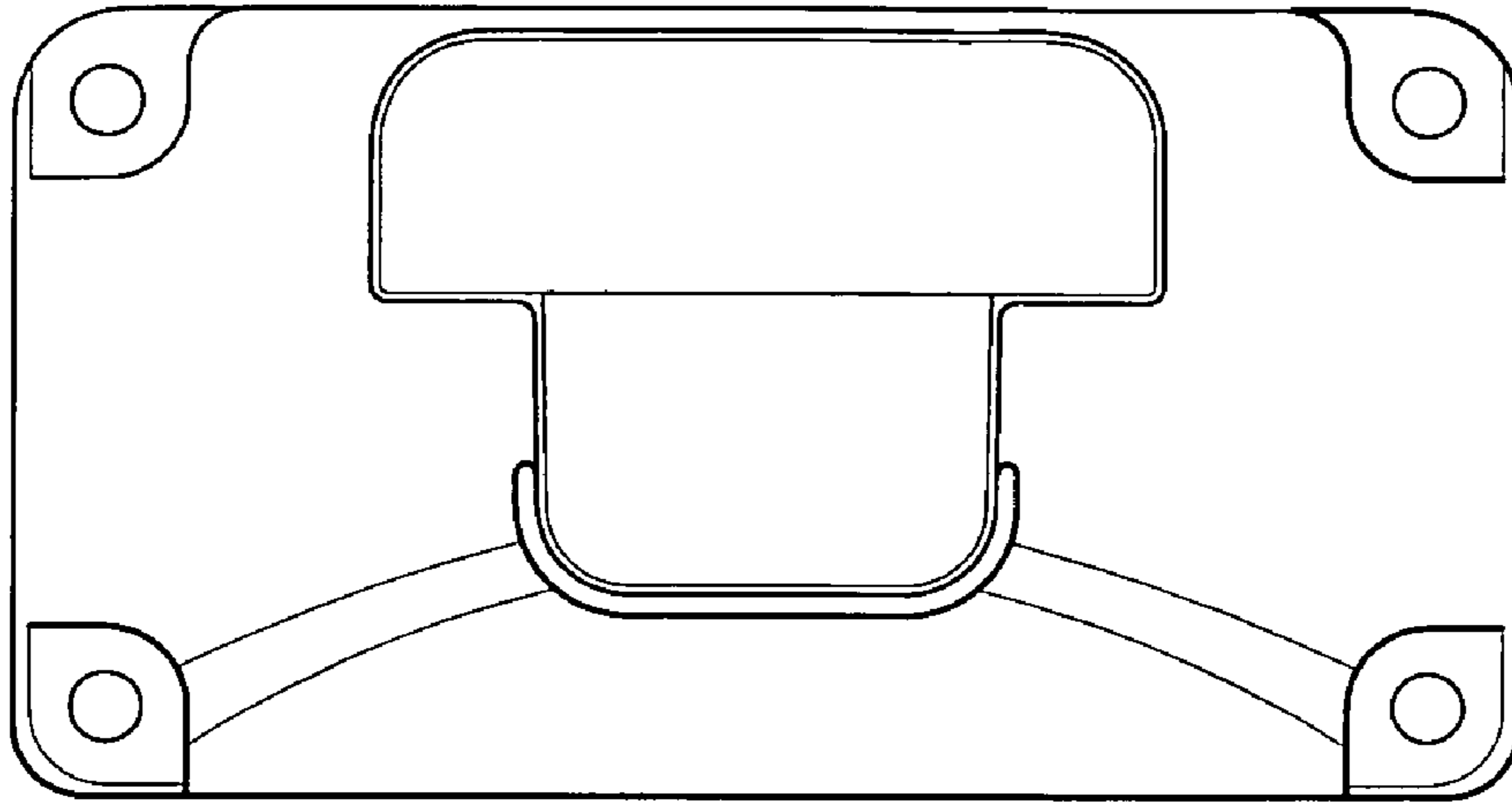


Fig. 6

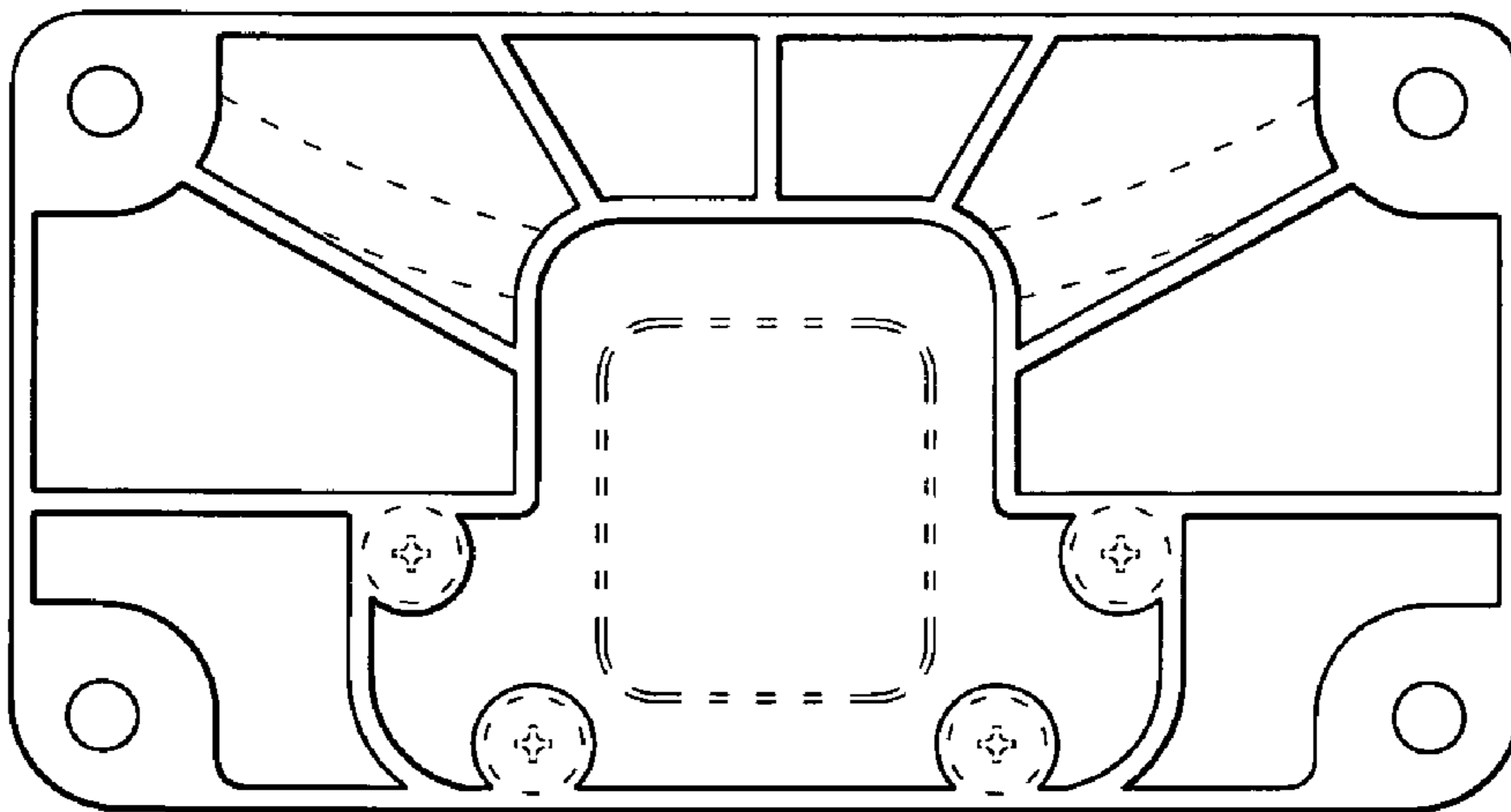


Fig. 7

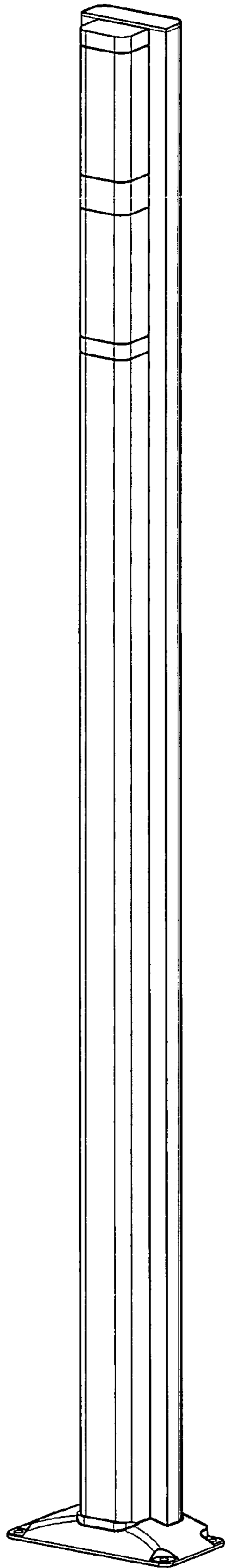


Fig. 8

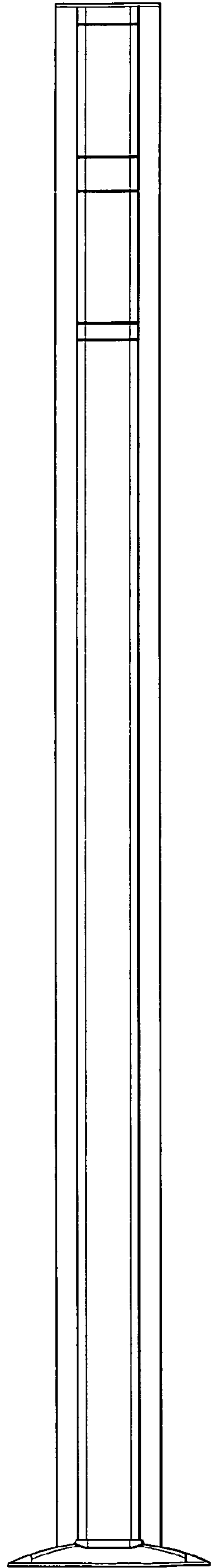


Fig. 9

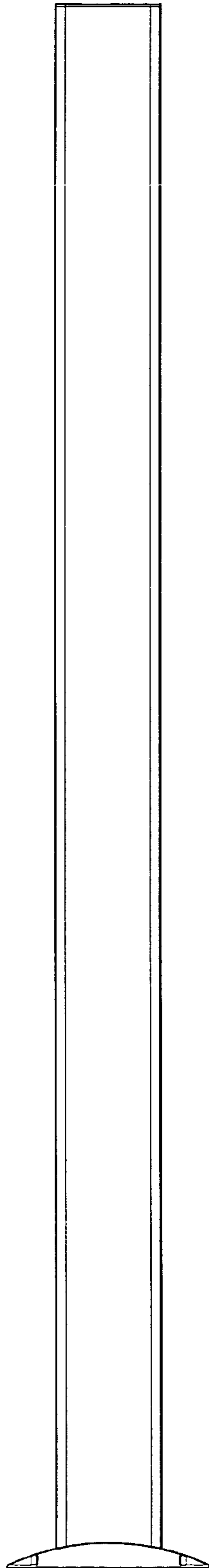


Fig. 10

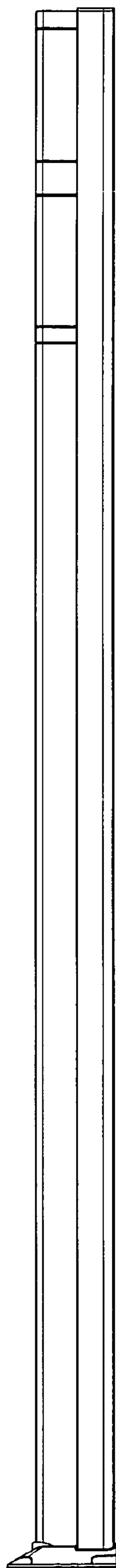


Fig. 11

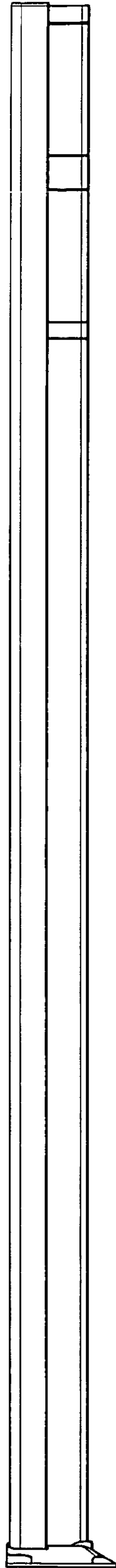


Fig. 12

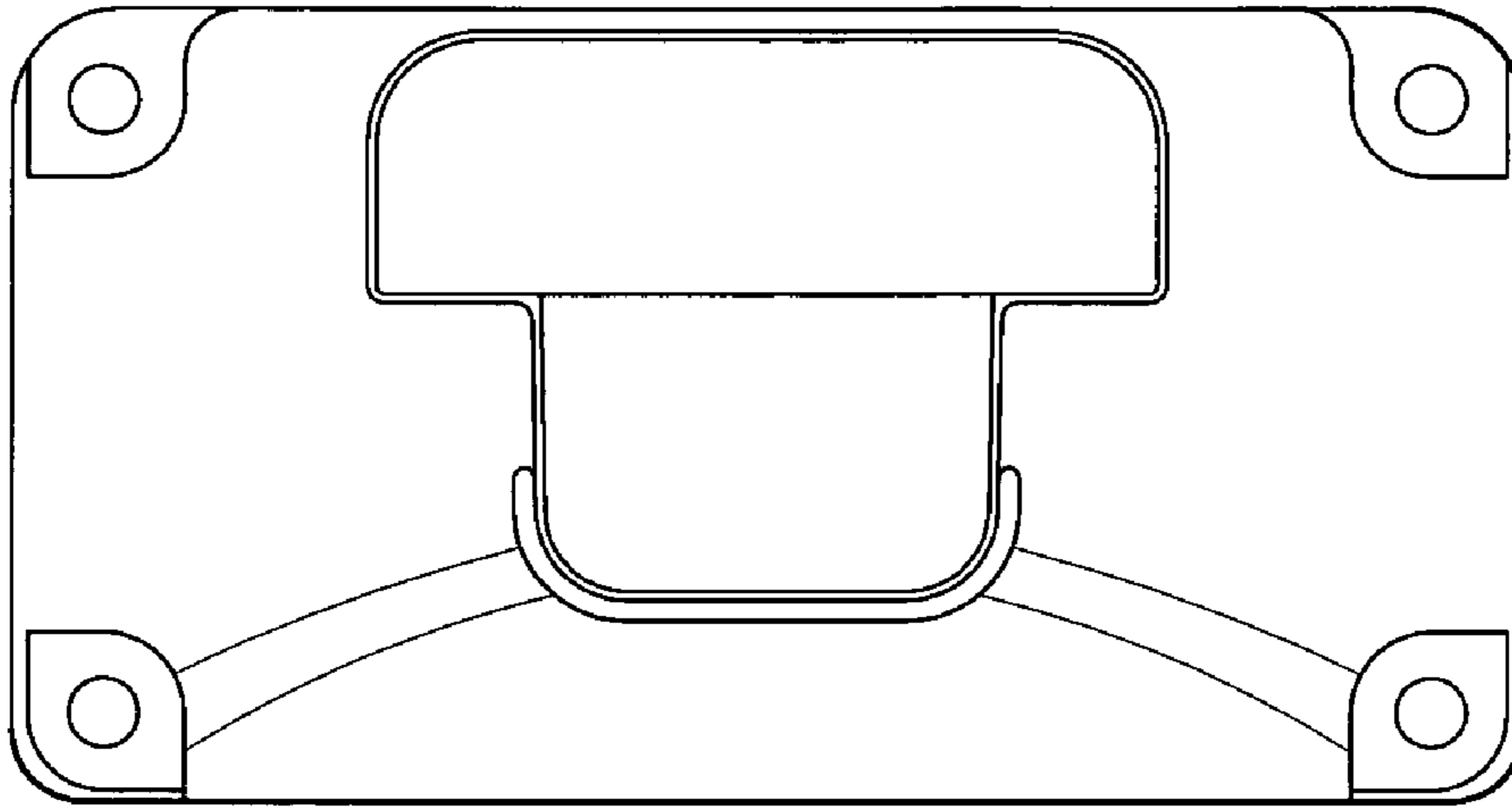


Fig. 13

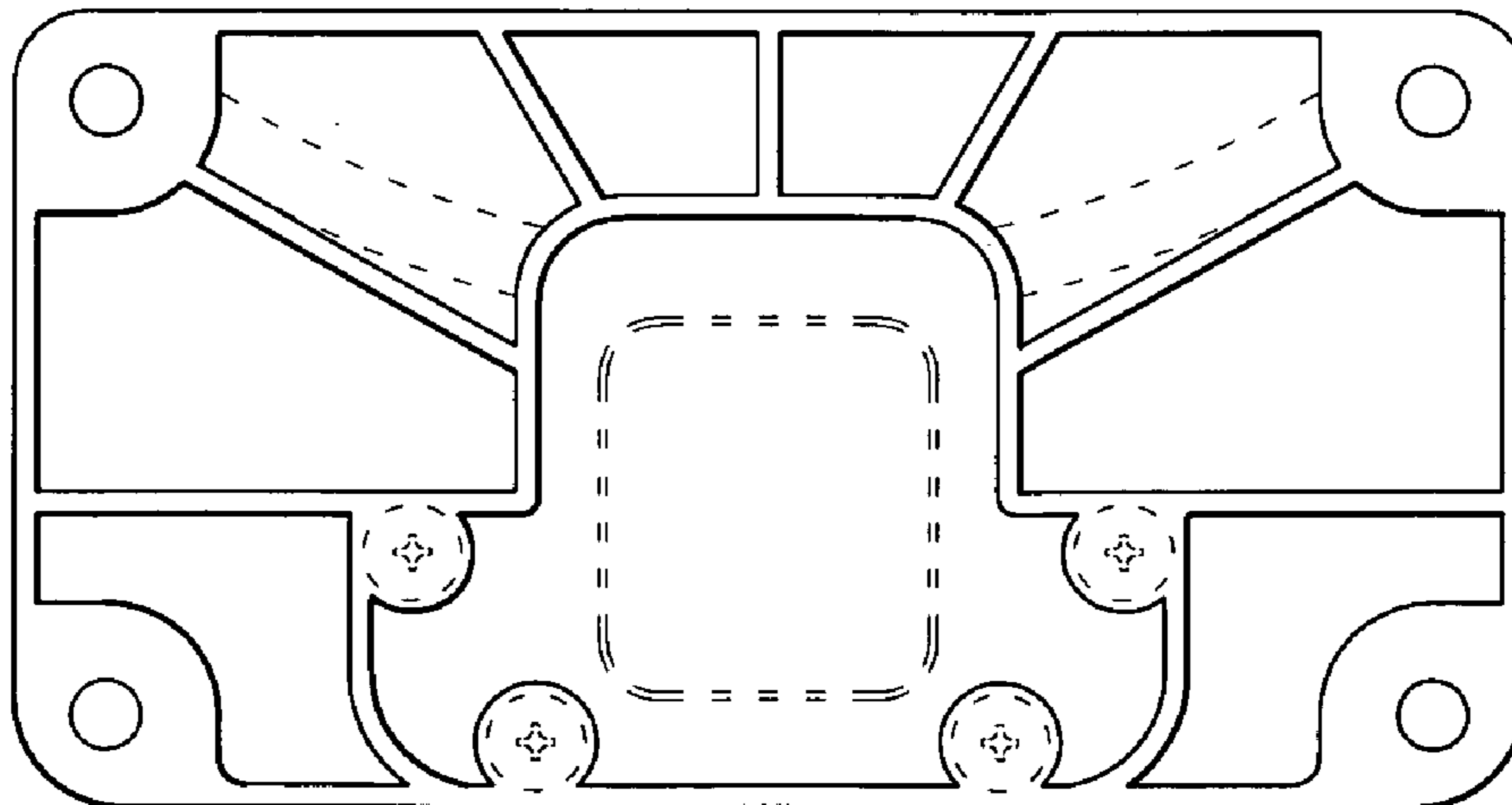


Fig. 14

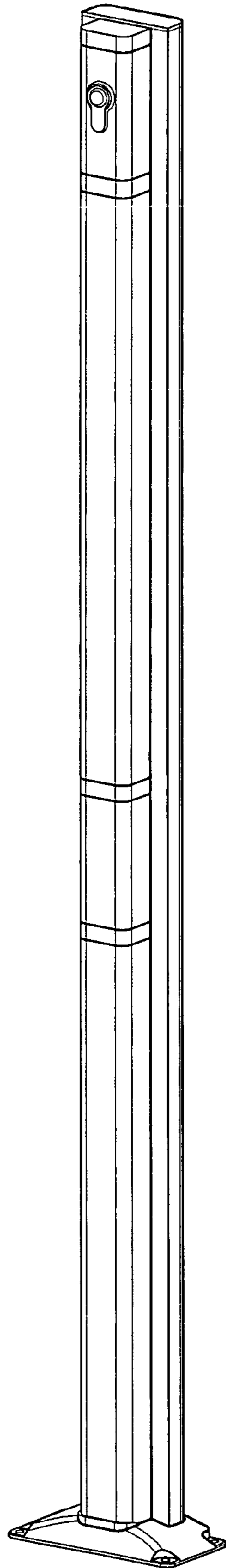


Fig. 15

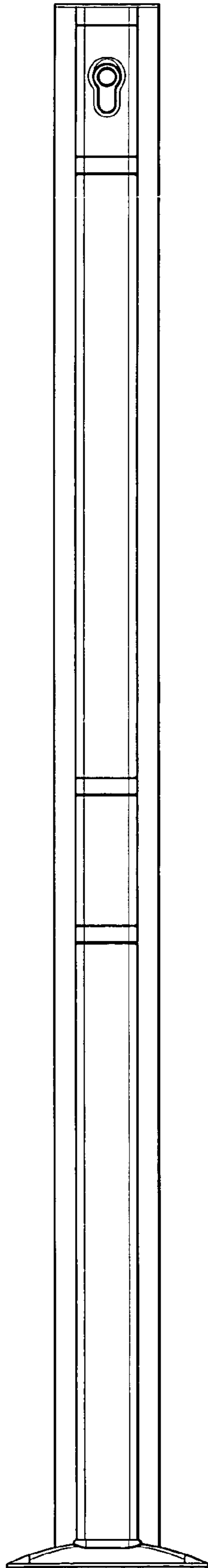


Fig. 16

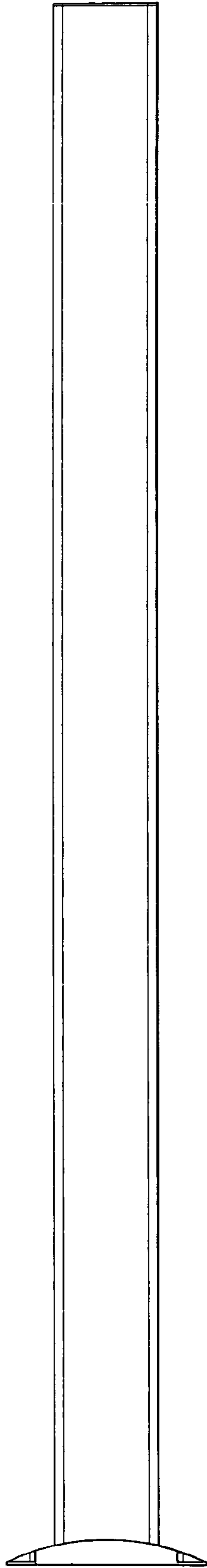


Fig. 17

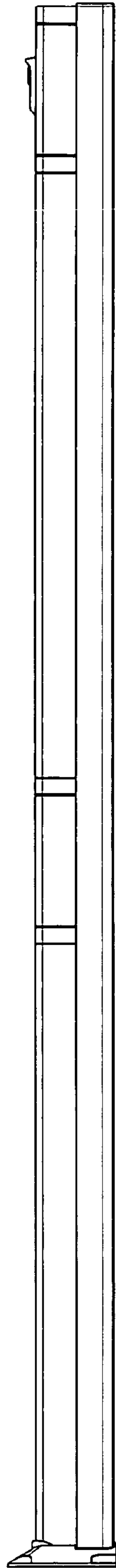


Fig. 18

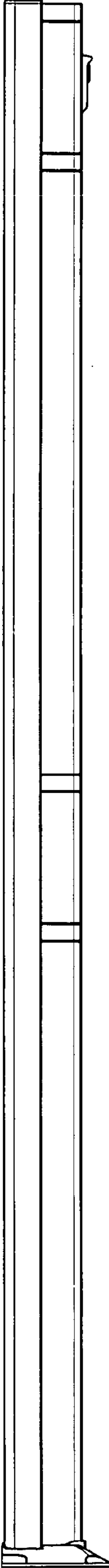


Fig. 19

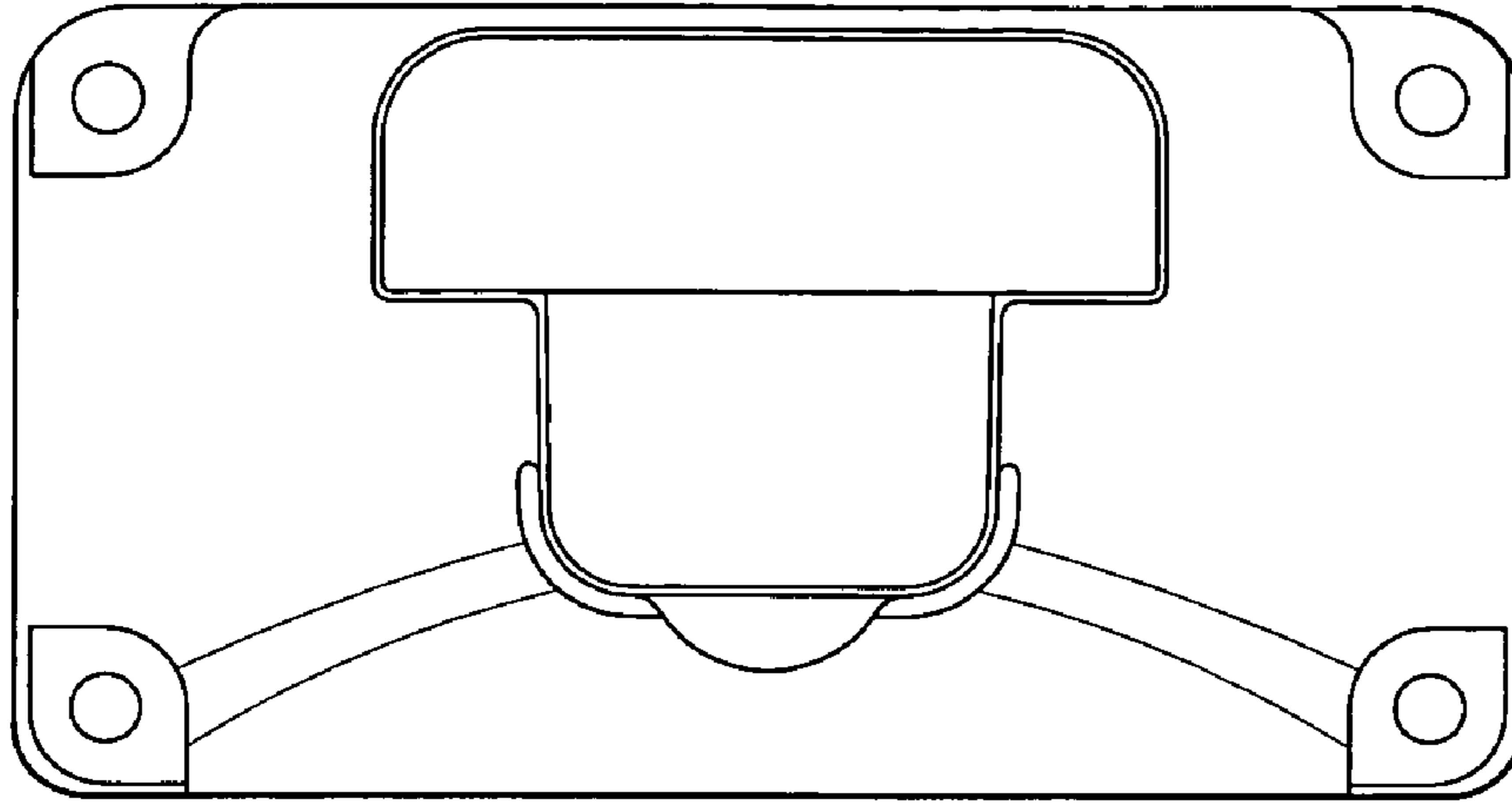


Fig. 20

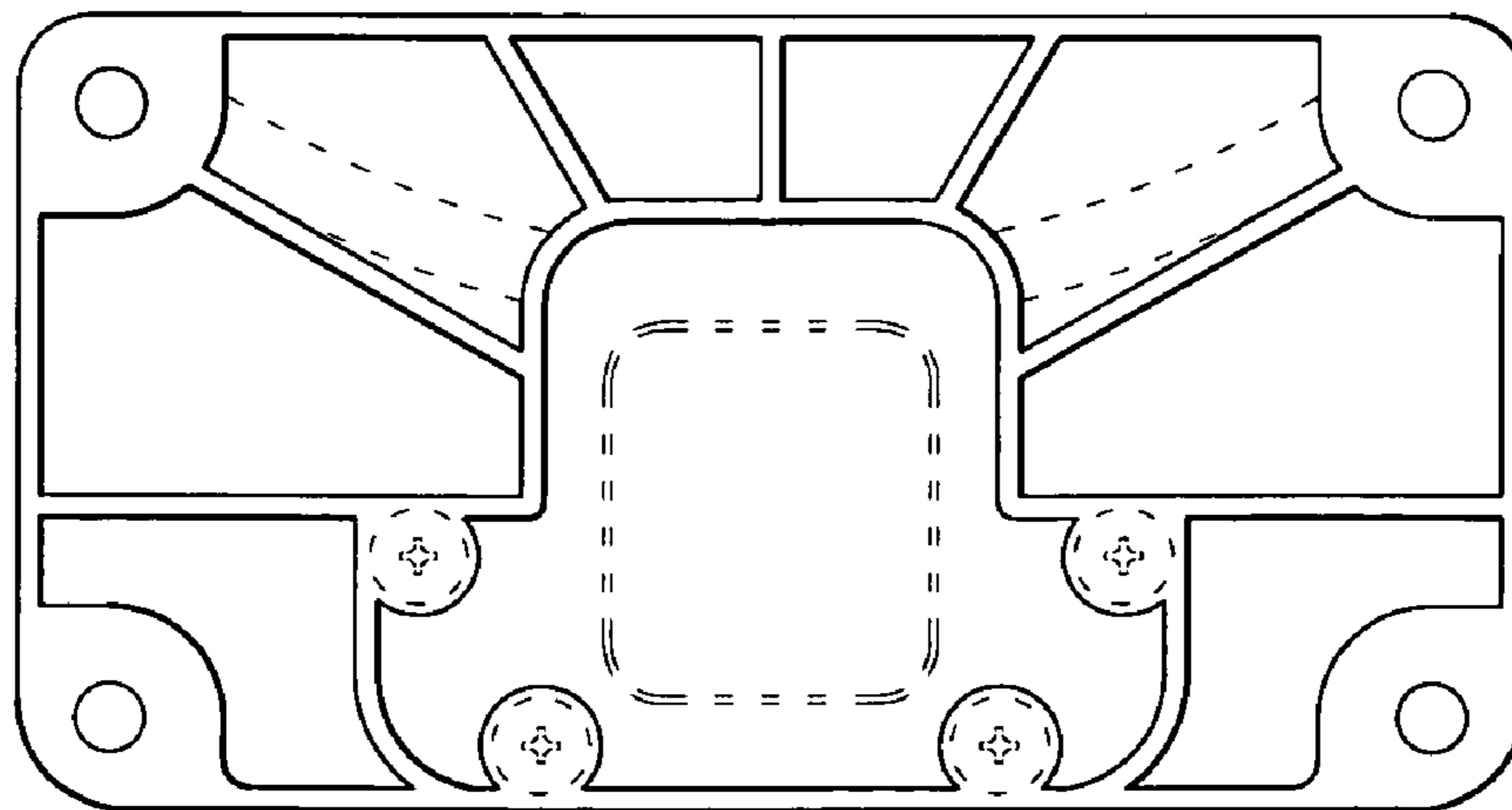


Fig. 21

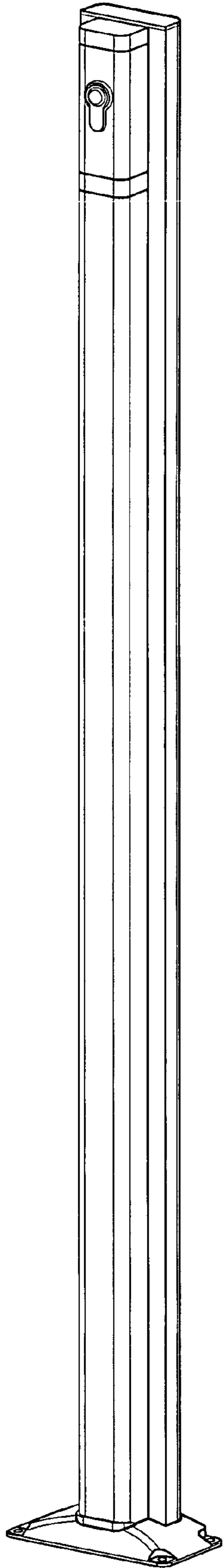


Fig. 22

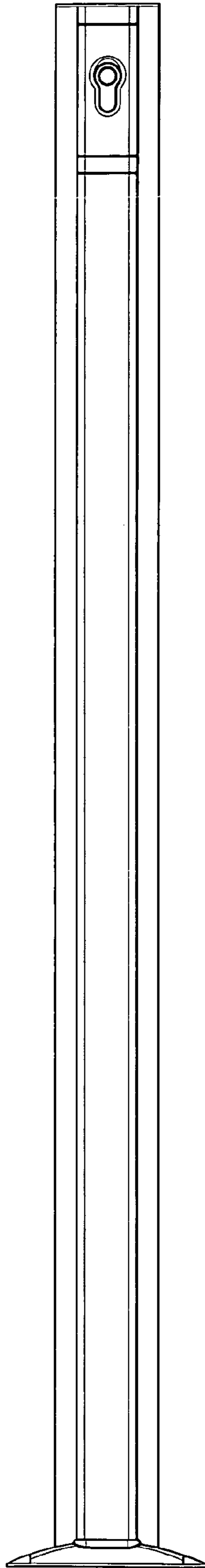


Fig. 23

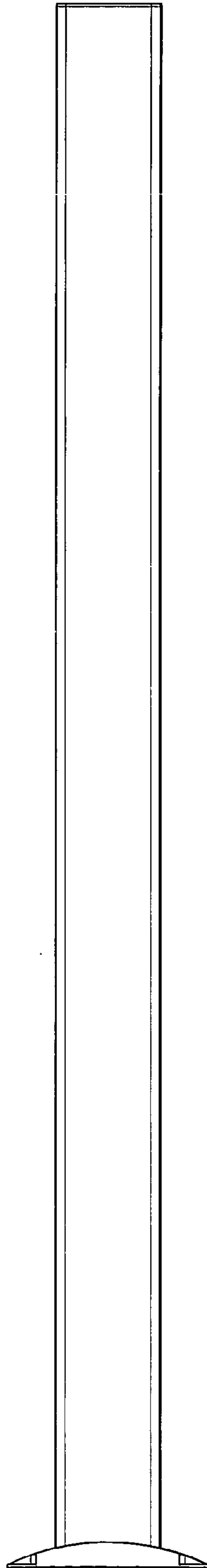


Fig. 24

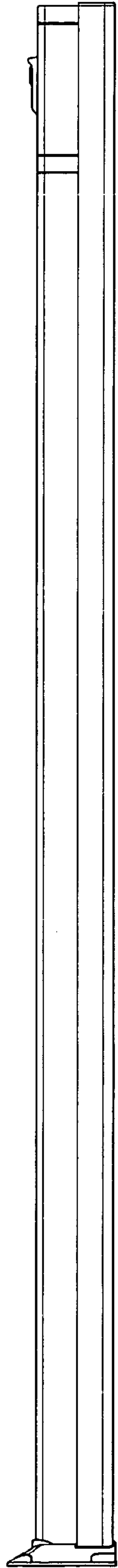


Fig. 25

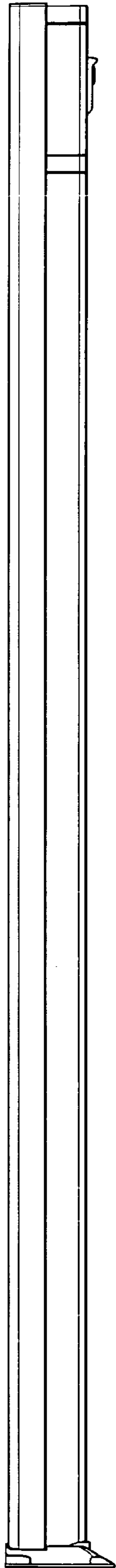


Fig. 26

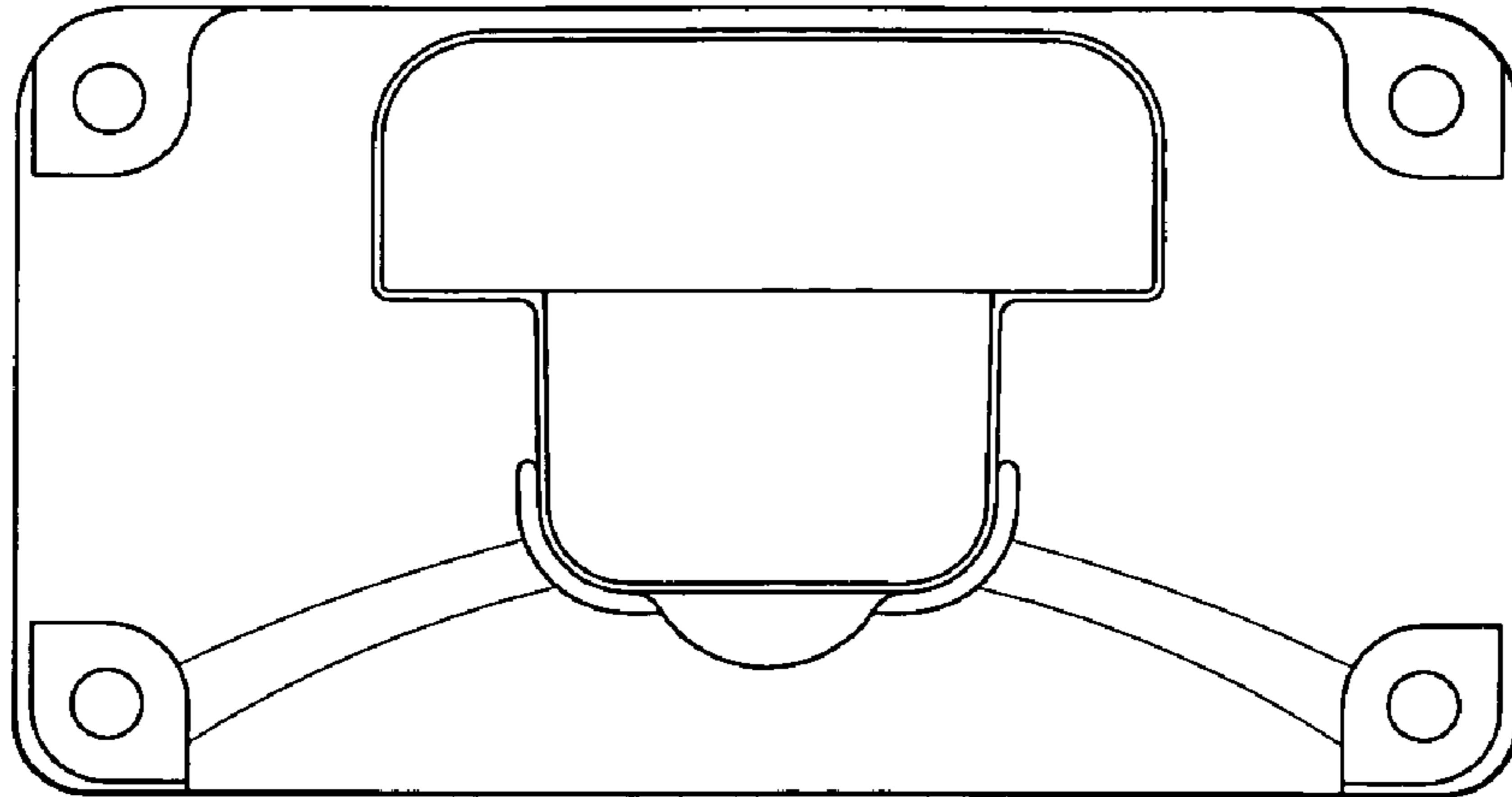


Fig. 27

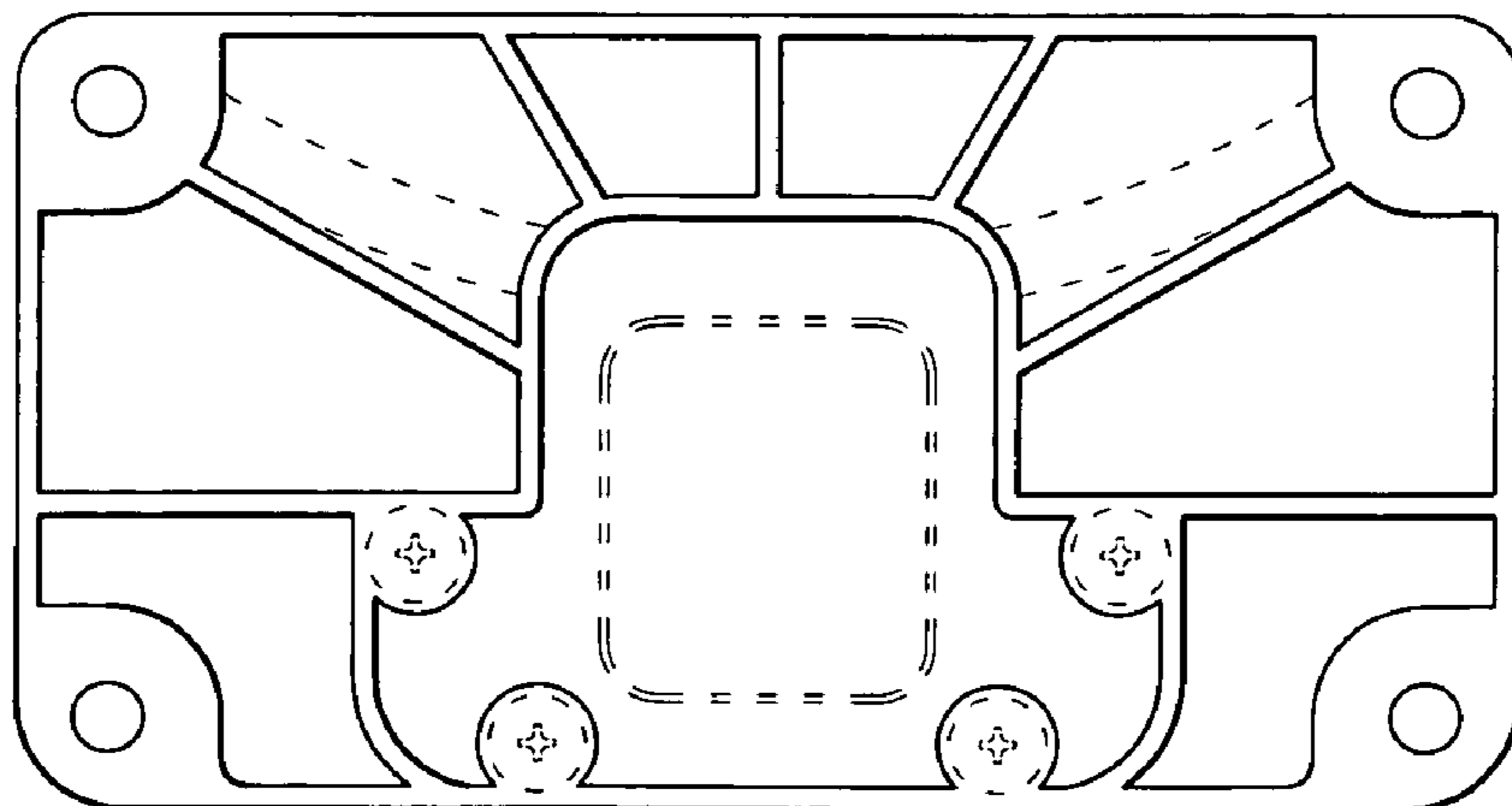


Fig. 28