



US00D617742S

(12) **United States Design Patent**
Amidon

(10) **Patent No.:** **US D617,742 S**
(45) **Date of Patent:** **** Jun. 15, 2010**

(54) **BNC TYPE CONNECTOR**

D608,294 S * 1/2010 Shaw D13/151

(75) Inventor: **Jeremy Amidon**, Marcellus, NY (US)

* cited by examiner

(73) Assignee: **John Mezzalingua Associates, Inc.**, E. Syracuse, NY (US)

Primary Examiner—Daniel D Bui
Assistant Examiner—Thomas J Johannes

(74) *Attorney, Agent, or Firm*—Schmeiser, Olsen & Watts

(**) Term: **14 Years**

(57) **CLAIM**

(21) Appl. No.: **29/343,195**

The ornamental design for a BNC type connector, as shown and described.

(22) Filed: **Sep. 9, 2009**

(51) **LOC (9) Cl.** **13-03**

(52) **U.S. Cl.** **D13/154**

(58) **Field of Classification Search** D13/133,
D13/149, 151, 153, 154, 156, 199; 439/79,
439/248, 258, 274, 350, 352, 353, 358, 359,
439/362, 378, 445, 447, 578, 584, 585, 656,
439/660, 676, 677, 678, 679, 680, 681, 682,
439/686

See application file for complete search history.

DESCRIPTION

FIG. 1 is a front perspective view of a first embodiment of a BNC type connector showing my new design;

FIG. 2 is a top view thereof;

FIG. 3 is a bottom view thereof;

FIG. 4 is a front view thereof, enlarged for clarity of detail;

FIG. 5 is a back view thereof, enlarged for clarity of detail;

FIG. 6 is a front perspective view of a second embodiment of a BNC type connector showing my new design;

FIG. 7 is a top view thereof;

FIG. 8 is a bottom view thereof;

FIG. 9 is a front view thereof, enlarged for clarity of detail; and,

FIG. 10 is a back view thereof, enlarged for clarity of detail.

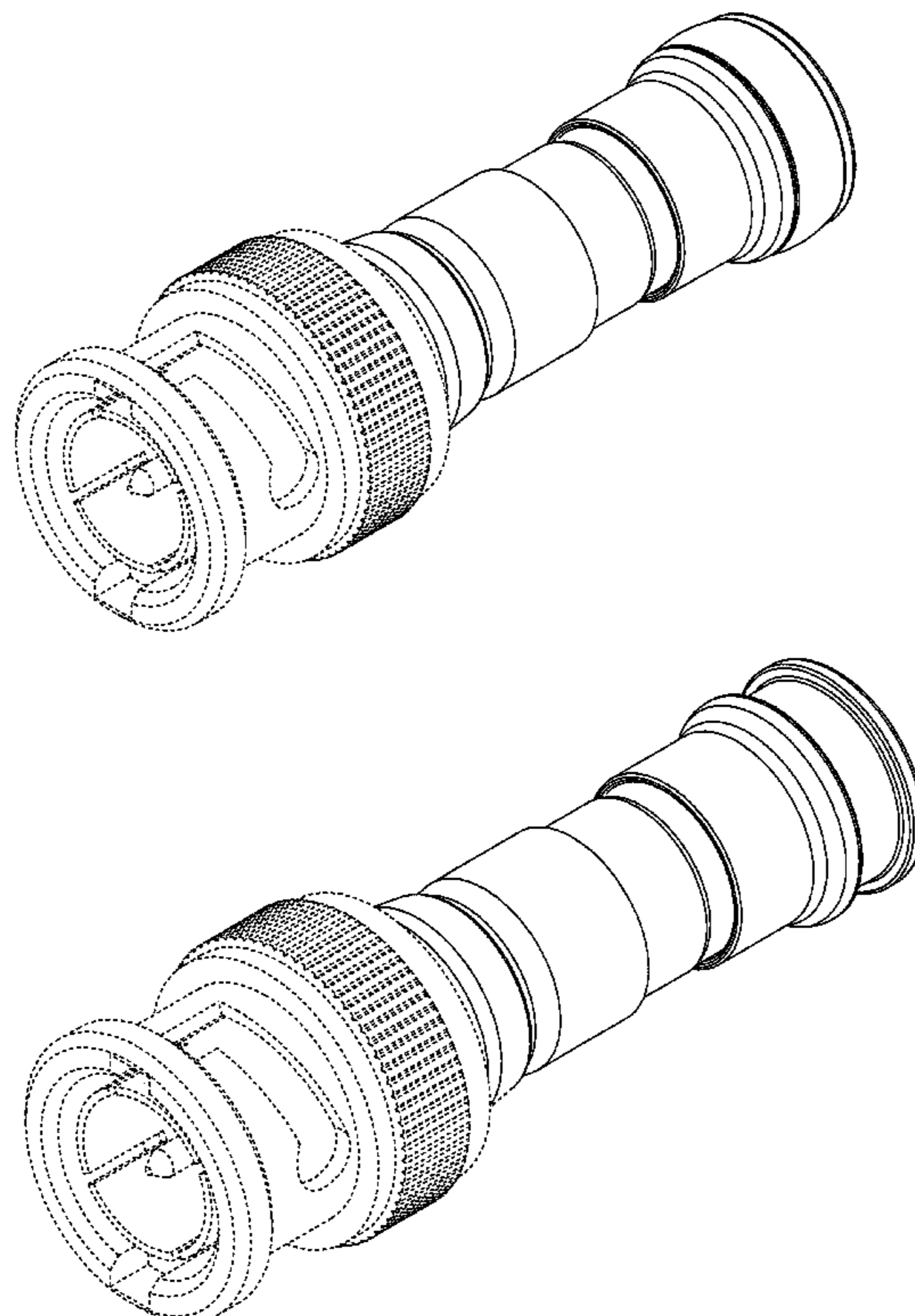
The broken lines in the figures show unclaimed detail only and form no part of the claimed design.

(56) **References Cited**

U.S. PATENT DOCUMENTS

D437,826 S *	2/2001	Montena	D13/133
D440,539 S *	4/2001	Montena	D13/133
D440,939 S *	4/2001	Montena	D13/133
D519,076 S *	4/2006	Fox	D13/133
D519,451 S *	4/2006	Fox	D13/133
D569,800 S *	5/2008	Holliday	D13/133
D601,966 S *	10/2009	Shaw	D13/151
D601,967 S *	10/2009	Shaw	D13/151
D607,828 S *	1/2010	Shaw	D13/151

1 Claim, 10 Drawing Sheets



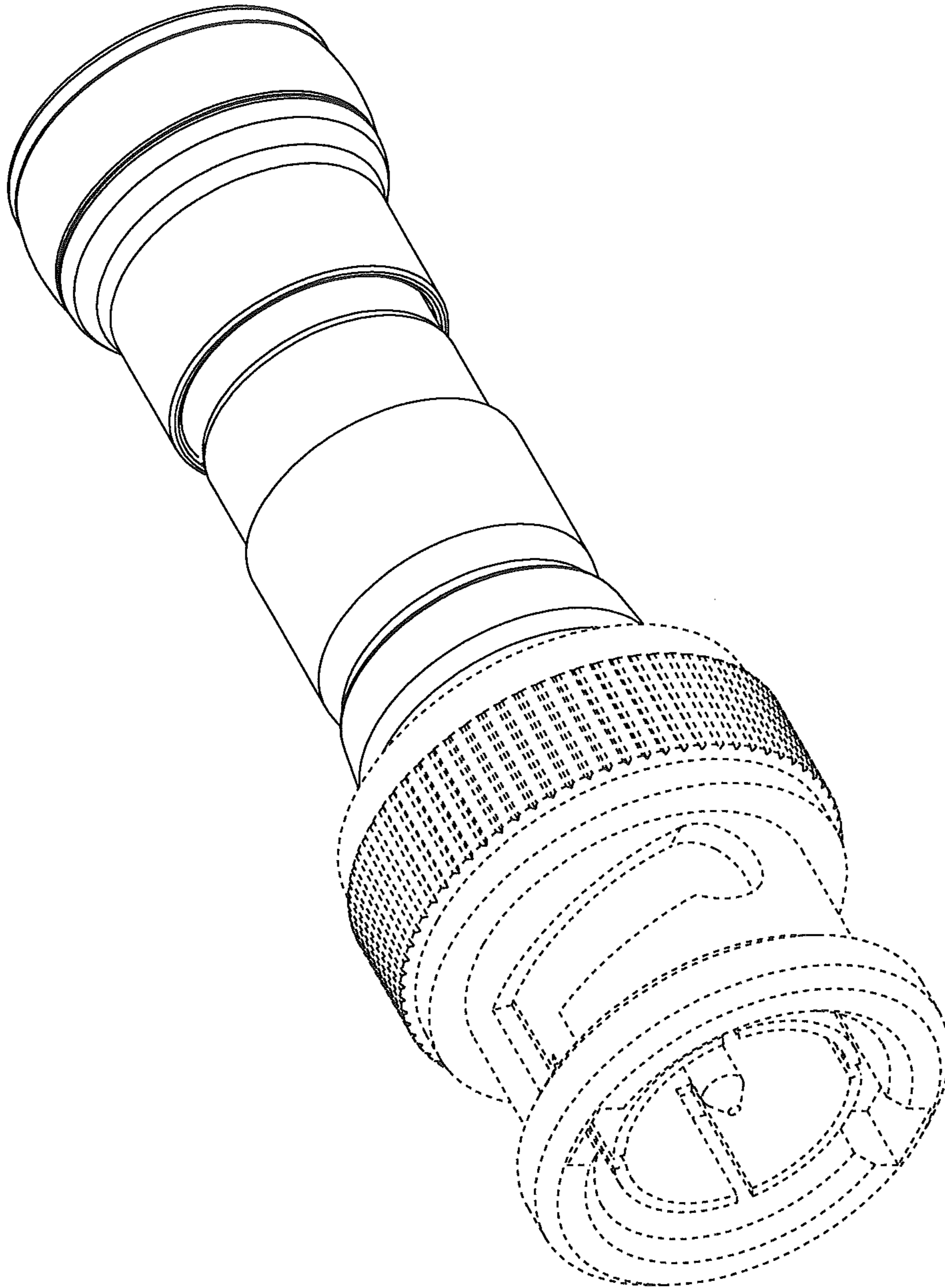


FIG.1

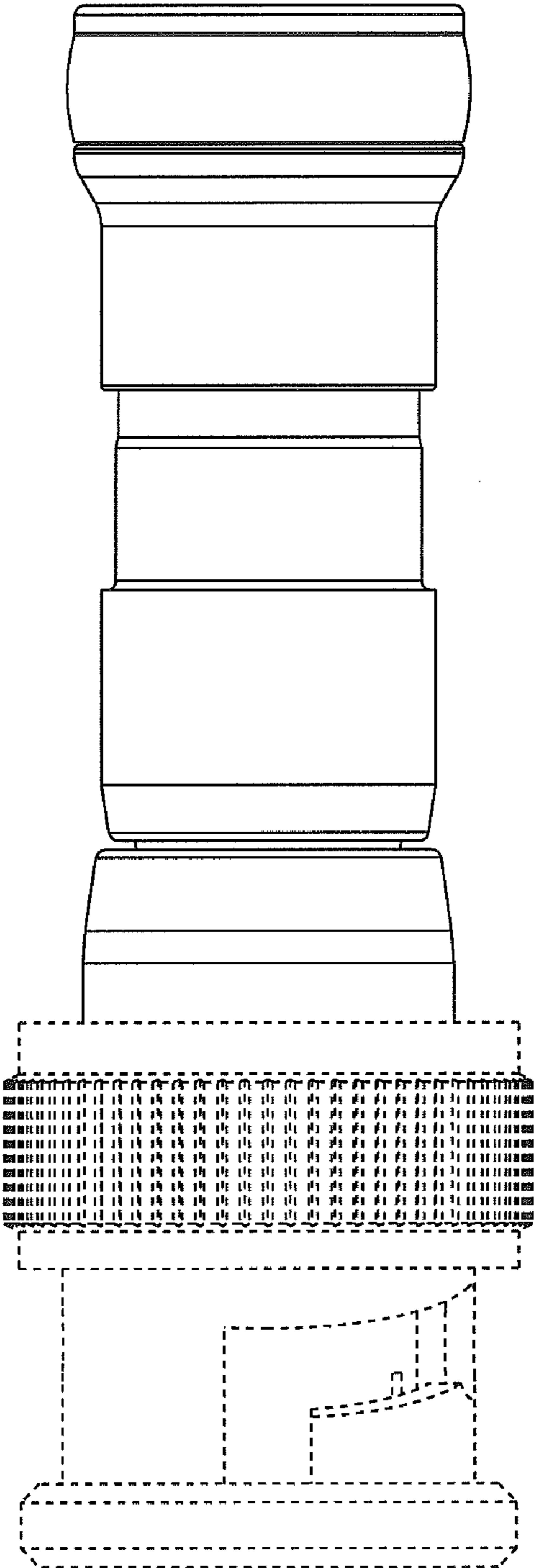


FIG. 2

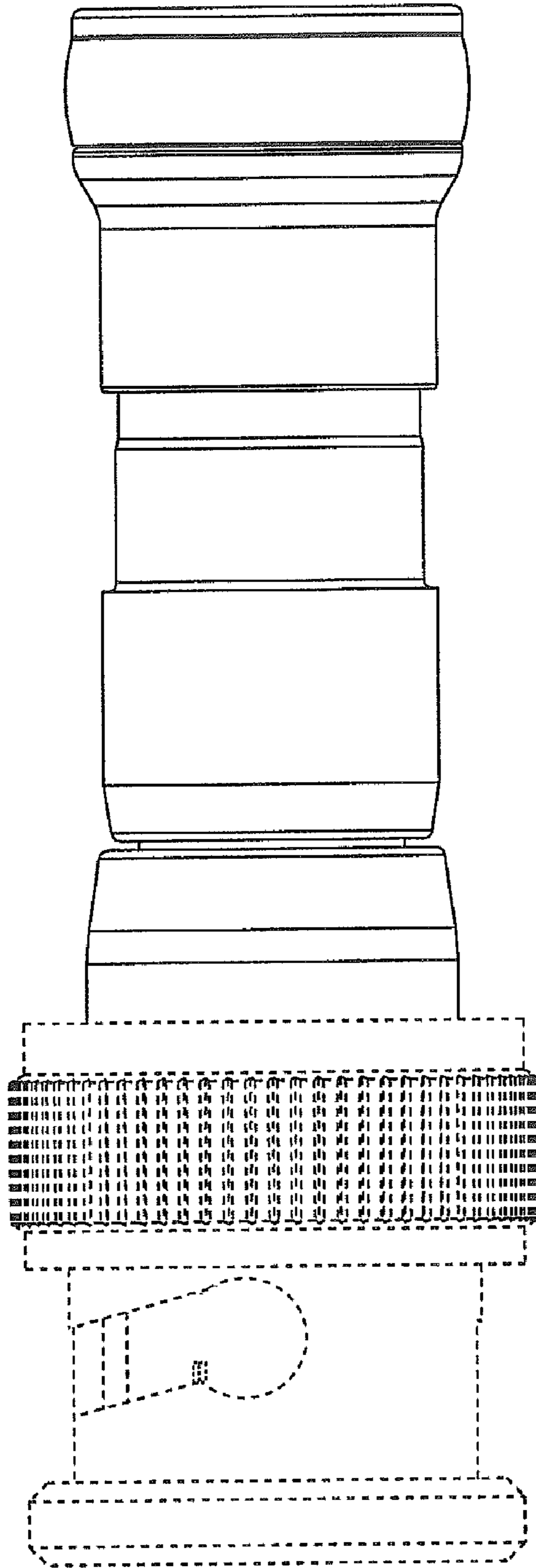


FIG. 3

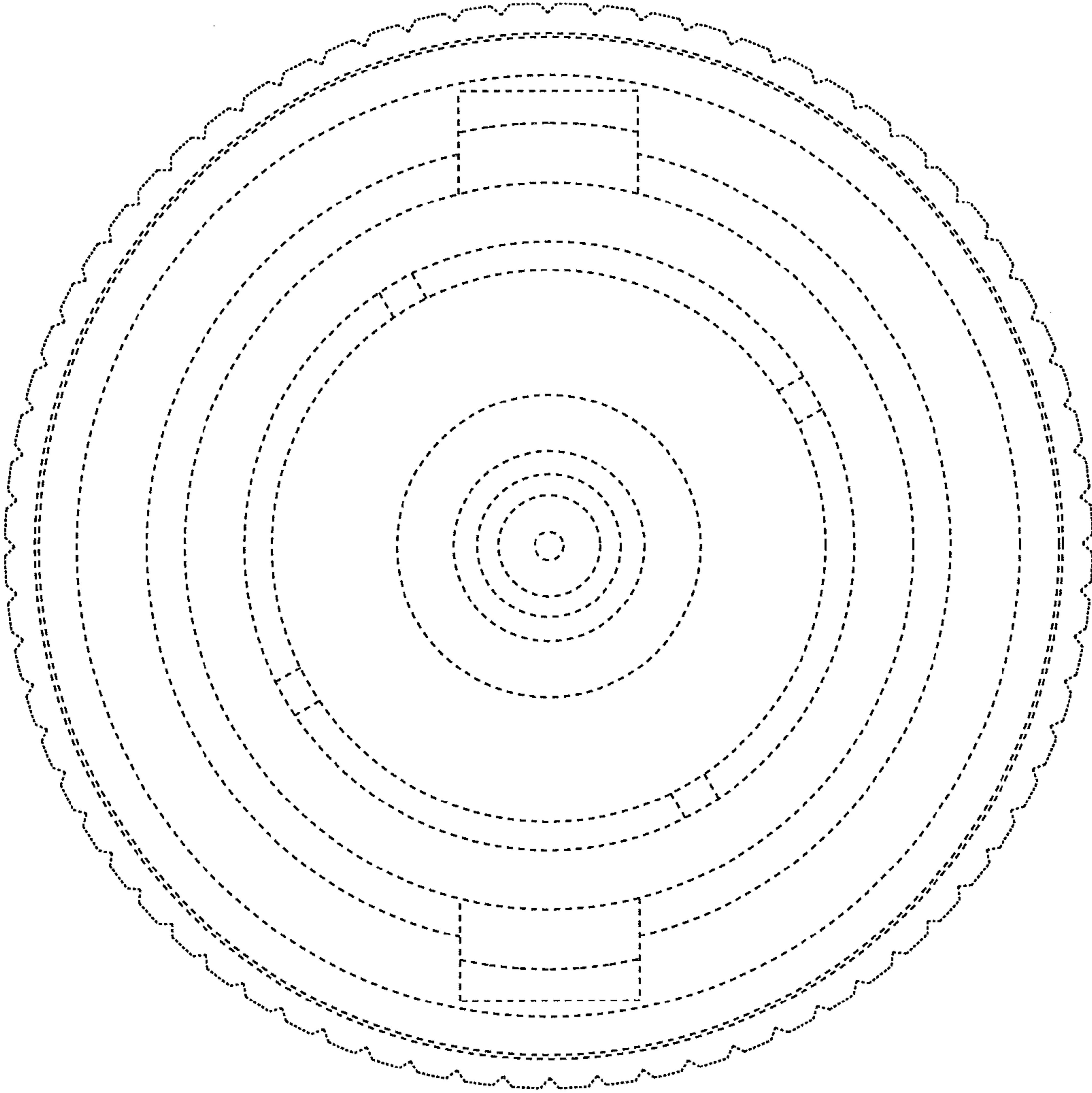


FIG. 4

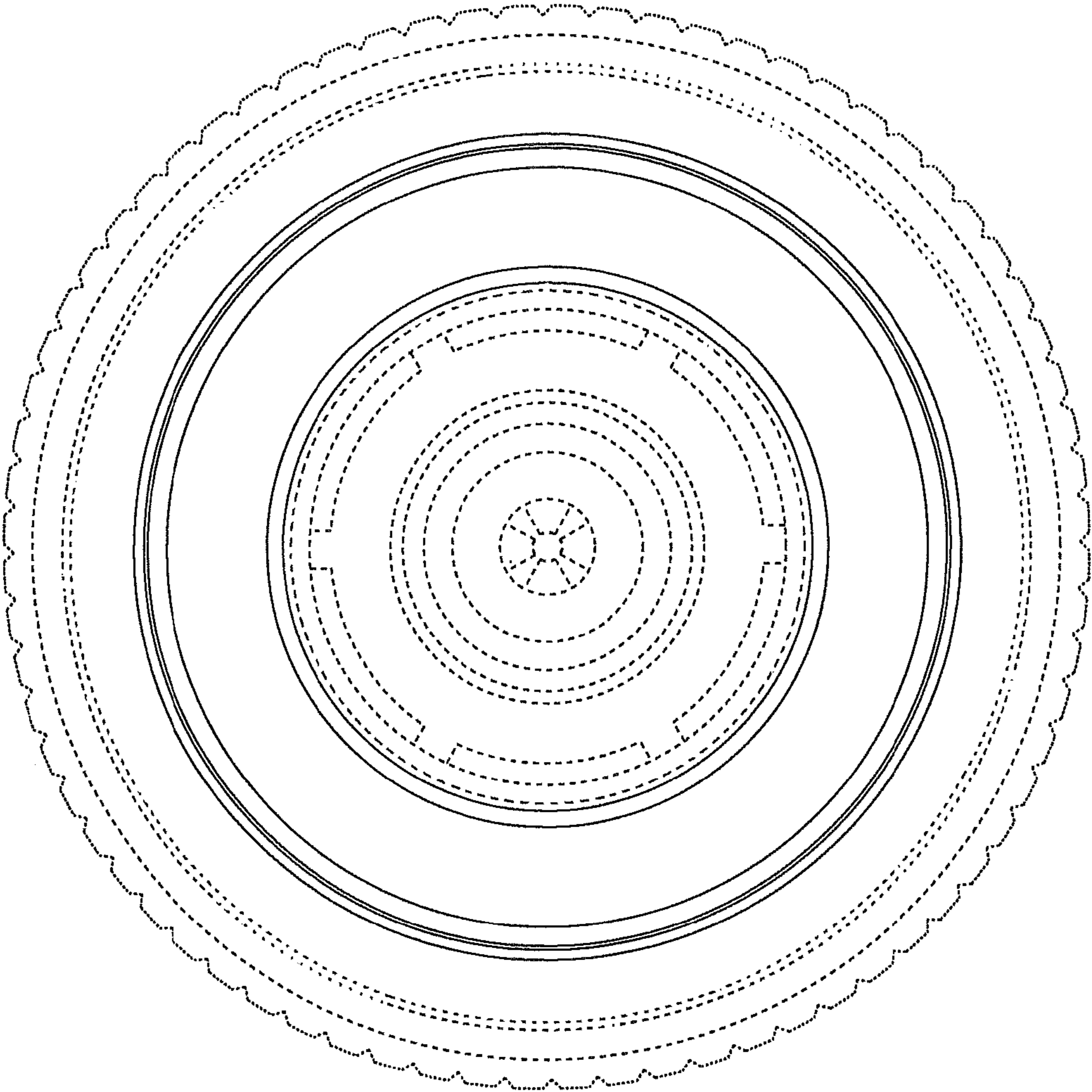


FIG. 5

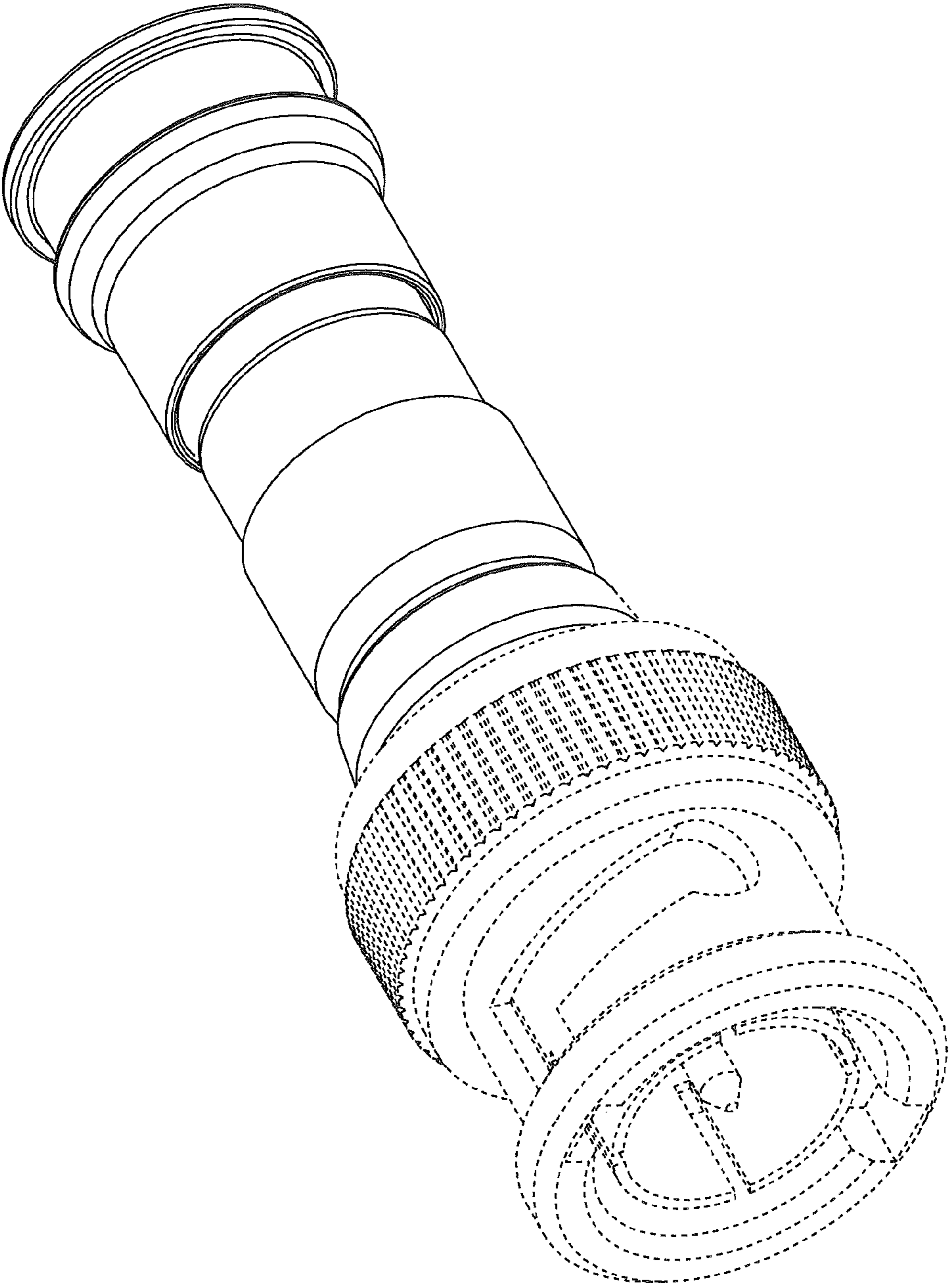


FIG. 6

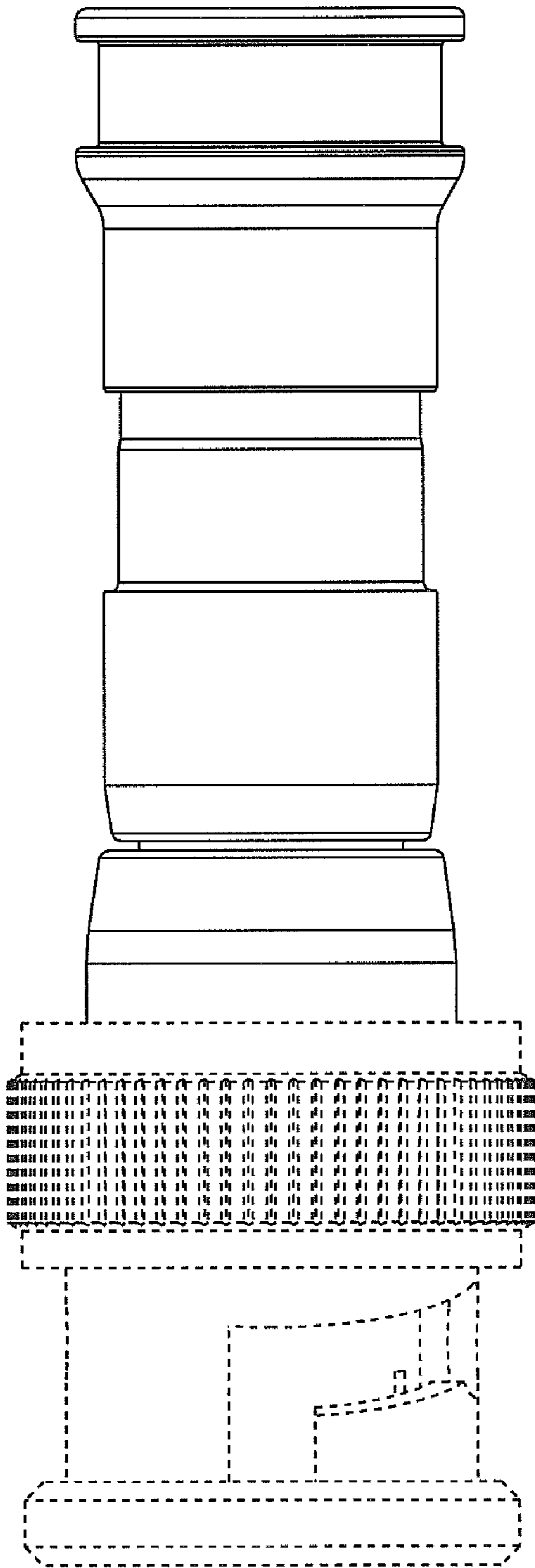


FIG. 7

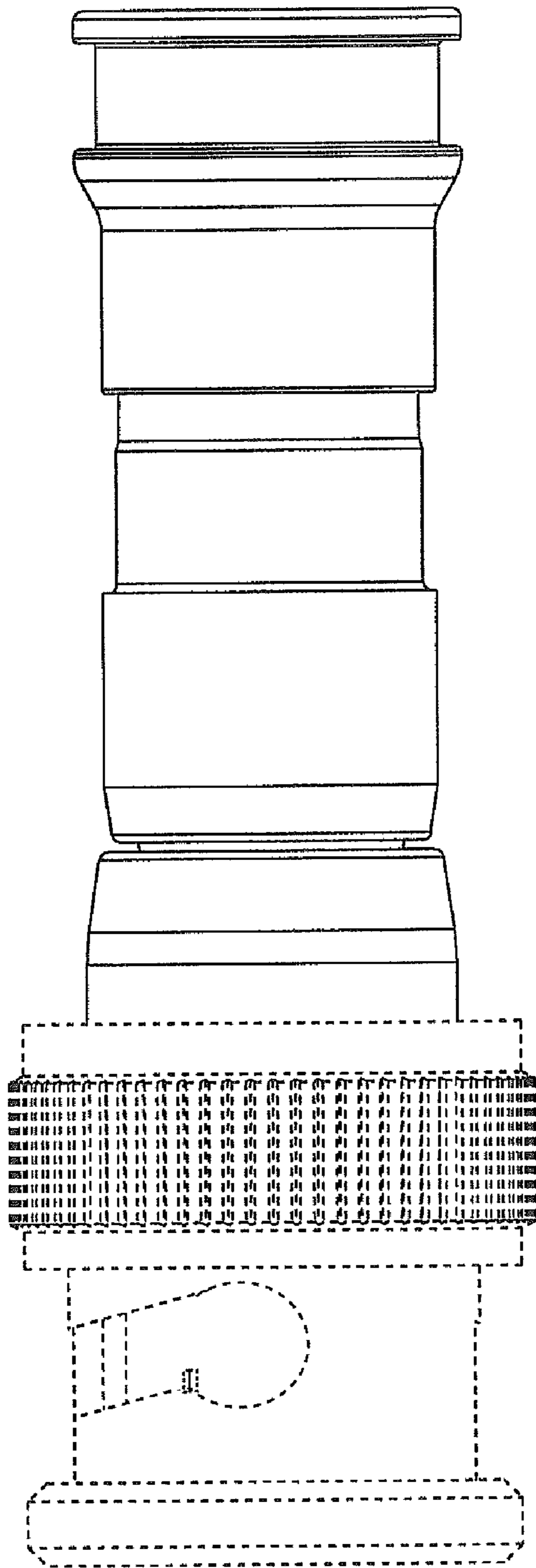


FIG. 8

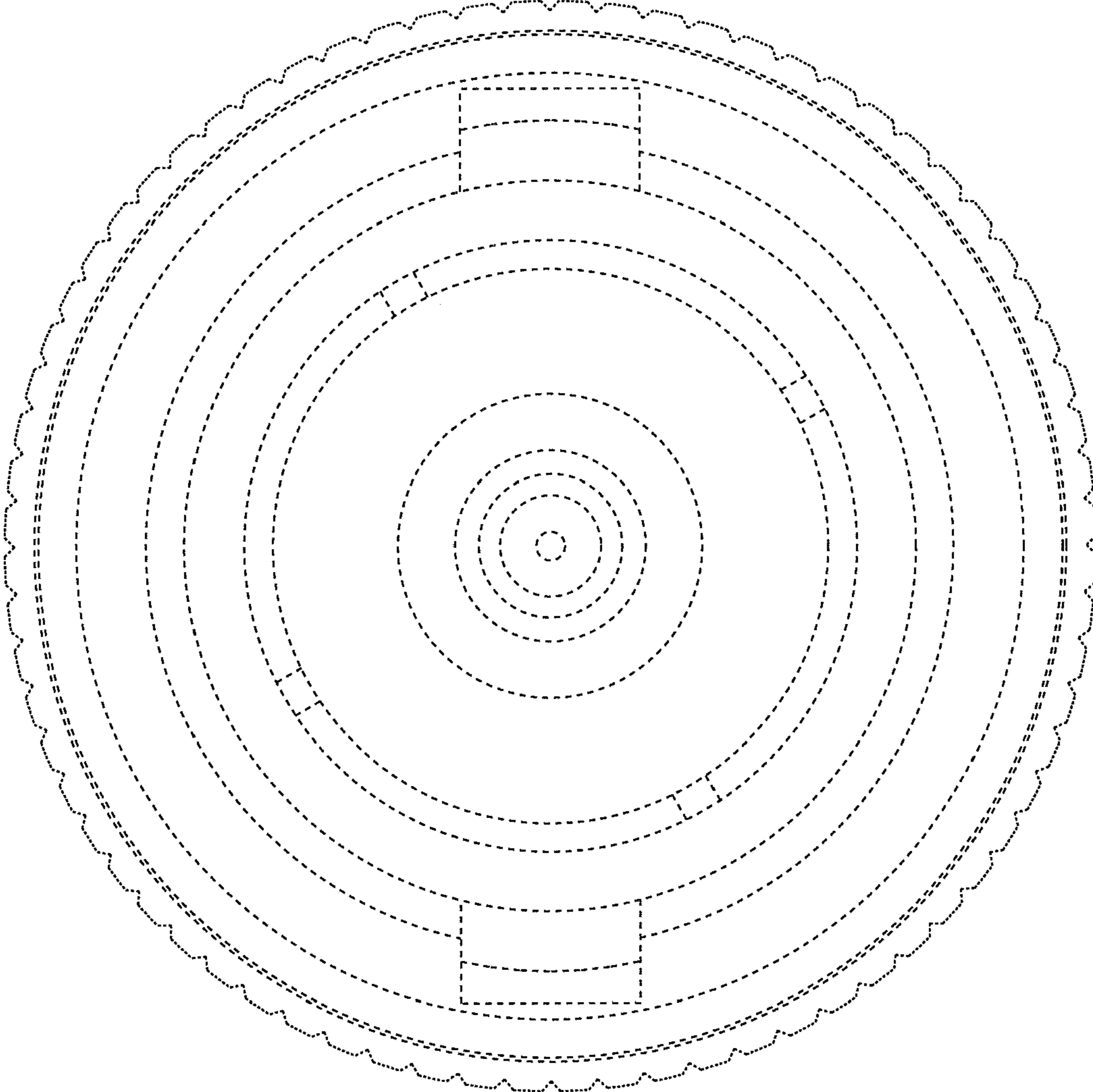


FIG. 9

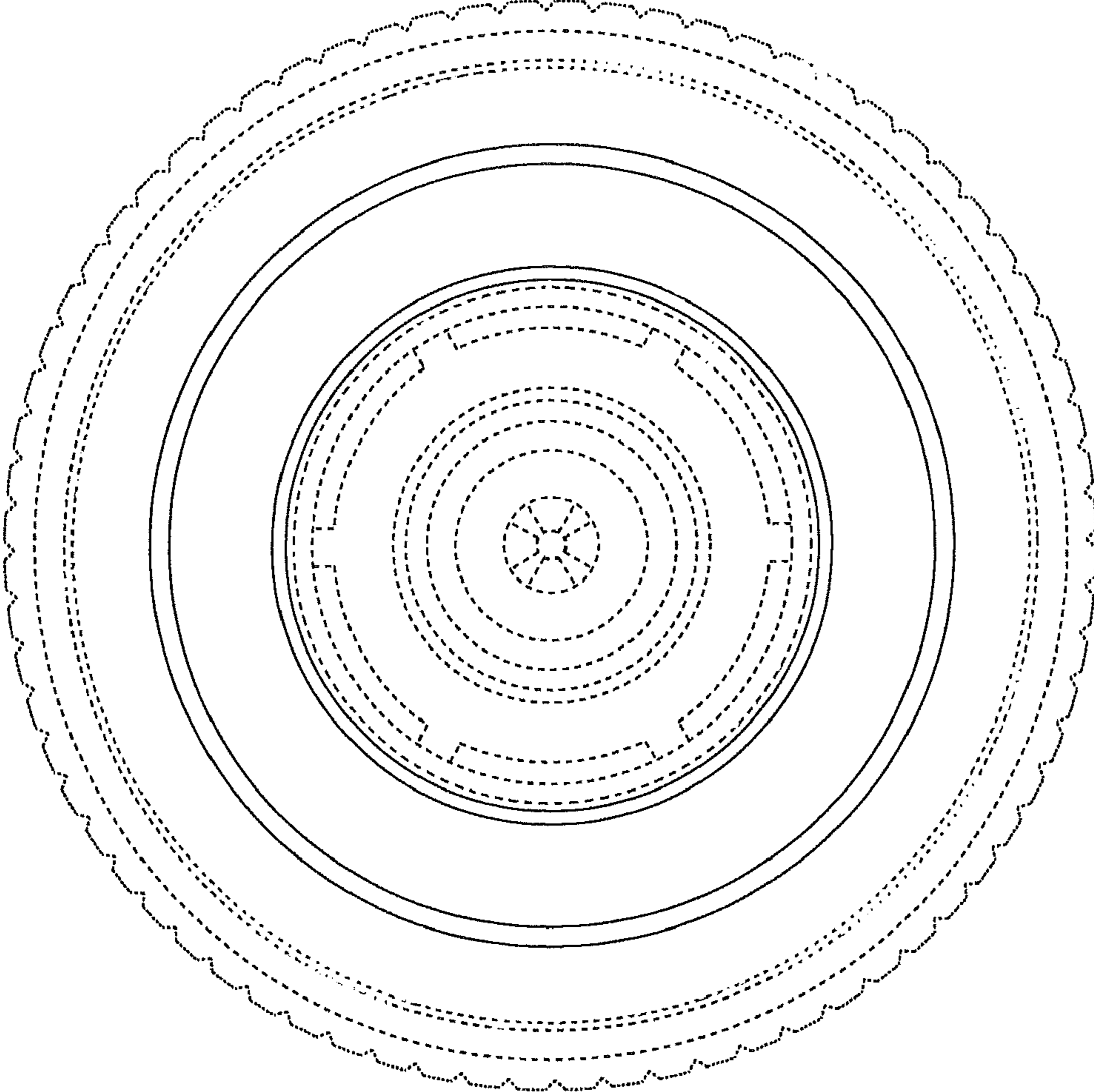


FIG. 10