



US00D617739S

(12) **United States Design Patent**
Chang

(10) **Patent No.:** **US D617,739 S**
(45) **Date of Patent:** **** *Jun. 15, 2010**

(54) **TERMINAL HOLDER FOR REDUCED CROSSTALK CONNECTOR**

2008/0132123 A1* 6/2008 Milette et al. 439/676
* cited by examiner

(75) Inventor: **Ray Chang**, Hsichih (TW)

Primary Examiner—Daniel D Bui
(74) *Attorney, Agent, or Firm*—Troxell Law Office, PLLC

(73) Assignee: **Telebox Industries Corp.**, Taipei Hsien (TW)

(57) **CLAIM**

(*) Notice: This patent is subject to a terminal disclaimer.

The ornamental design for a terminal holder for reduced crosstalk connector, as shown and described.

(**) Term: **14 Years**

DESCRIPTION

(21) Appl. No.: **29/262,947**

FIG. 1 is a front, top, and right side perspective view of a terminal holder for reduced crosstalk connector, showing my new design;

(22) Filed: **Jul. 14, 2006**

FIG. 2 is a front elevational view thereof;

(51) **LOC (9) Cl.** **13-03**

FIG. 3 is a rear elevational view thereof;

(52) **U.S. Cl.** **D13/154**

FIG. 4 is a top plan view thereof;

(58) **Field of Classification Search** D13/146–147,
D13/154, 184; 439/67, 79, 260, 262, 267,
439/329, 607–610, 637

FIG. 5 is a bottom plan view thereof;

See application file for complete search history.

FIG. 6 is a left side elevational view thereof;

FIG. 7 is a right side elevational view thereof;

(56) **References Cited**

FIG. 8 is front, bottom and left side perspective view thereof; and,

U.S. PATENT DOCUMENTS

FIG. 9 is a perspective view thereof, in use condition.

D317,296 S * 6/1991 Hard D13/147

The broken line showing of environment in FIG. 9 is for illustrative purposes only and forms no part of the claimed design.

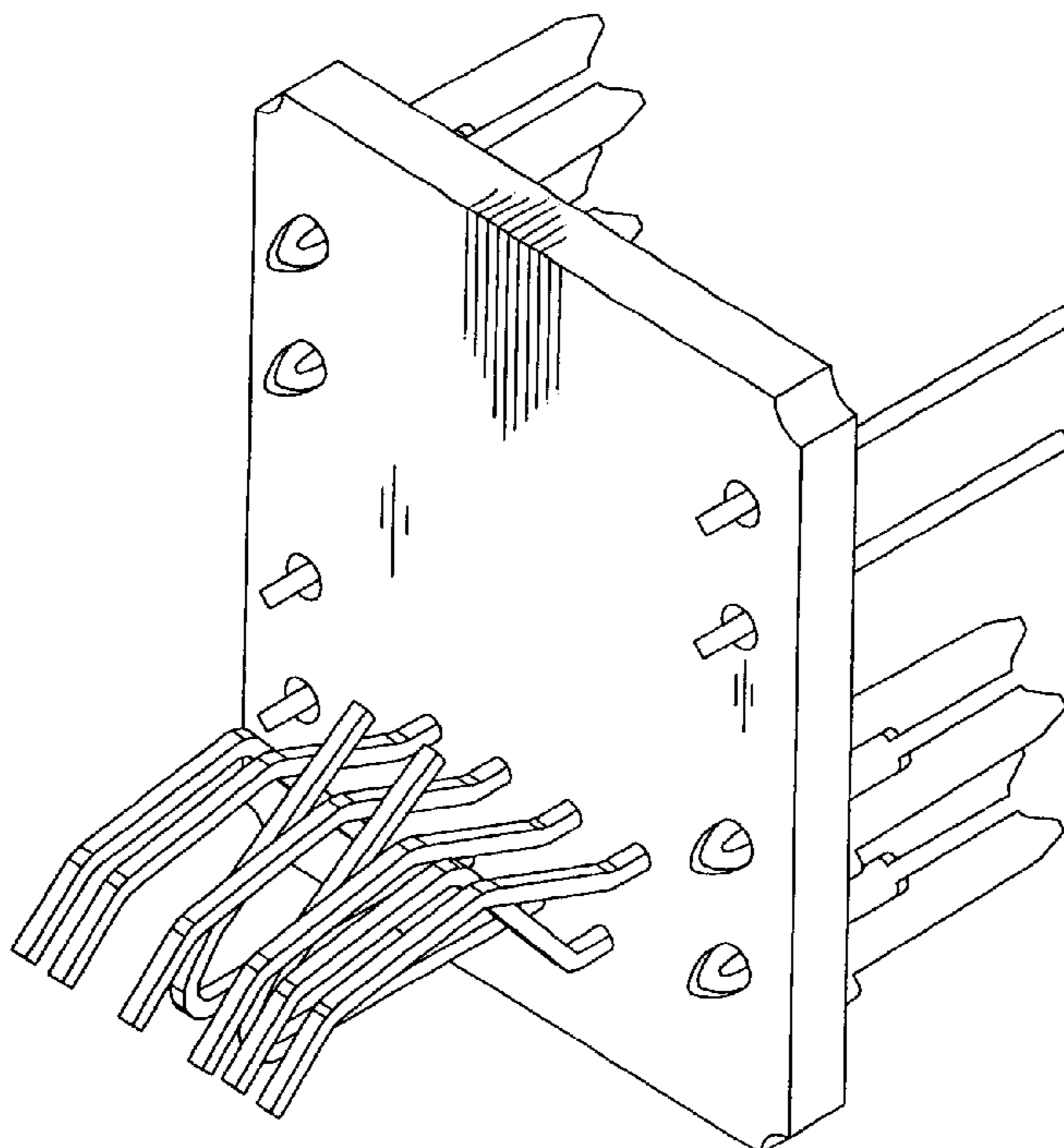
6,641,443 B1 * 11/2003 Itano et al. 439/676

7,074,092 B1 * 7/2006 Green et al. 439/676

2007/0015417 A1 * 1/2007 Caveney et al. 439/676

2007/0254529 A1 * 11/2007 Pepe et al. 439/676

1 Claim, 9 Drawing Sheets



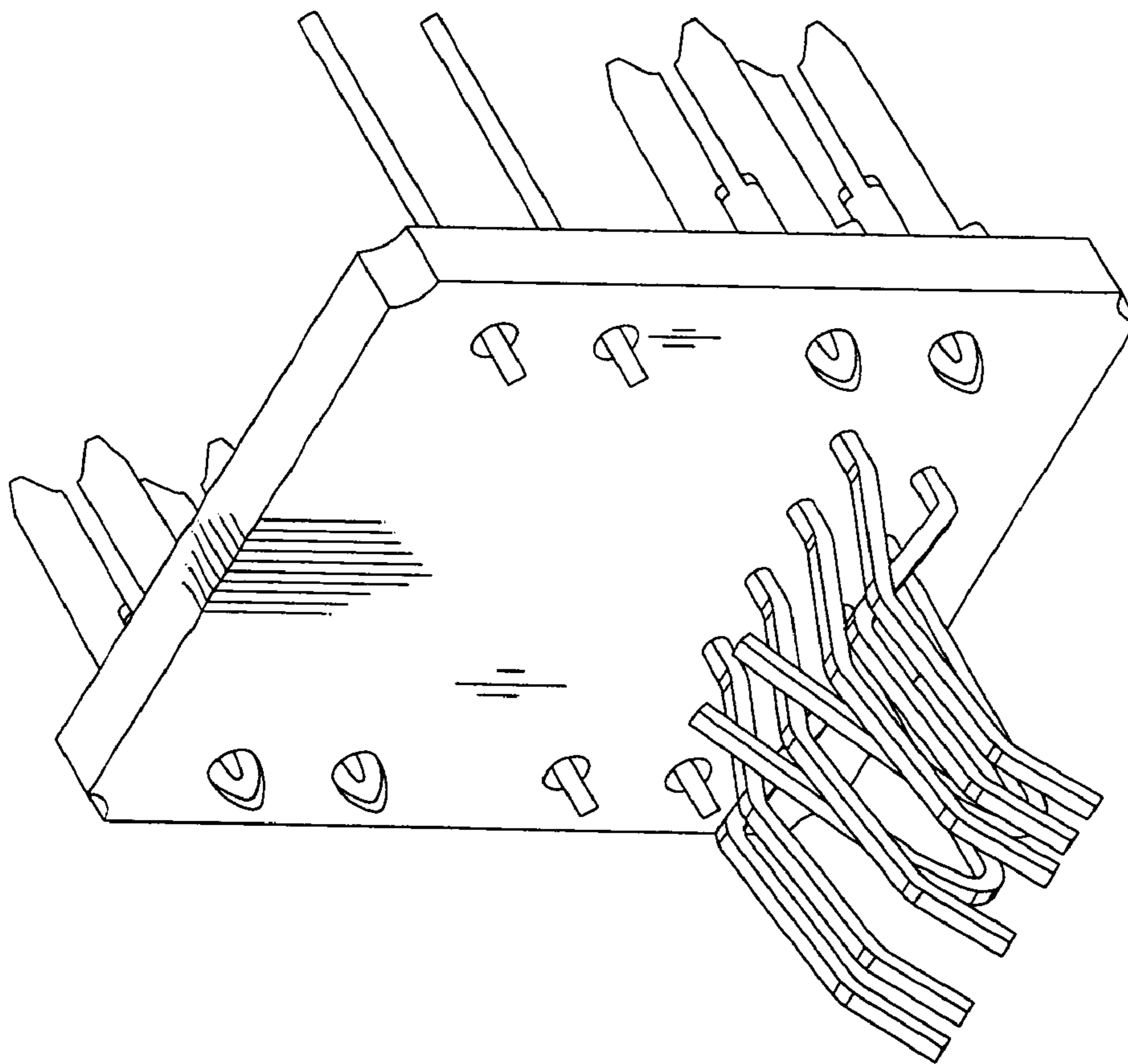


FIG. 1

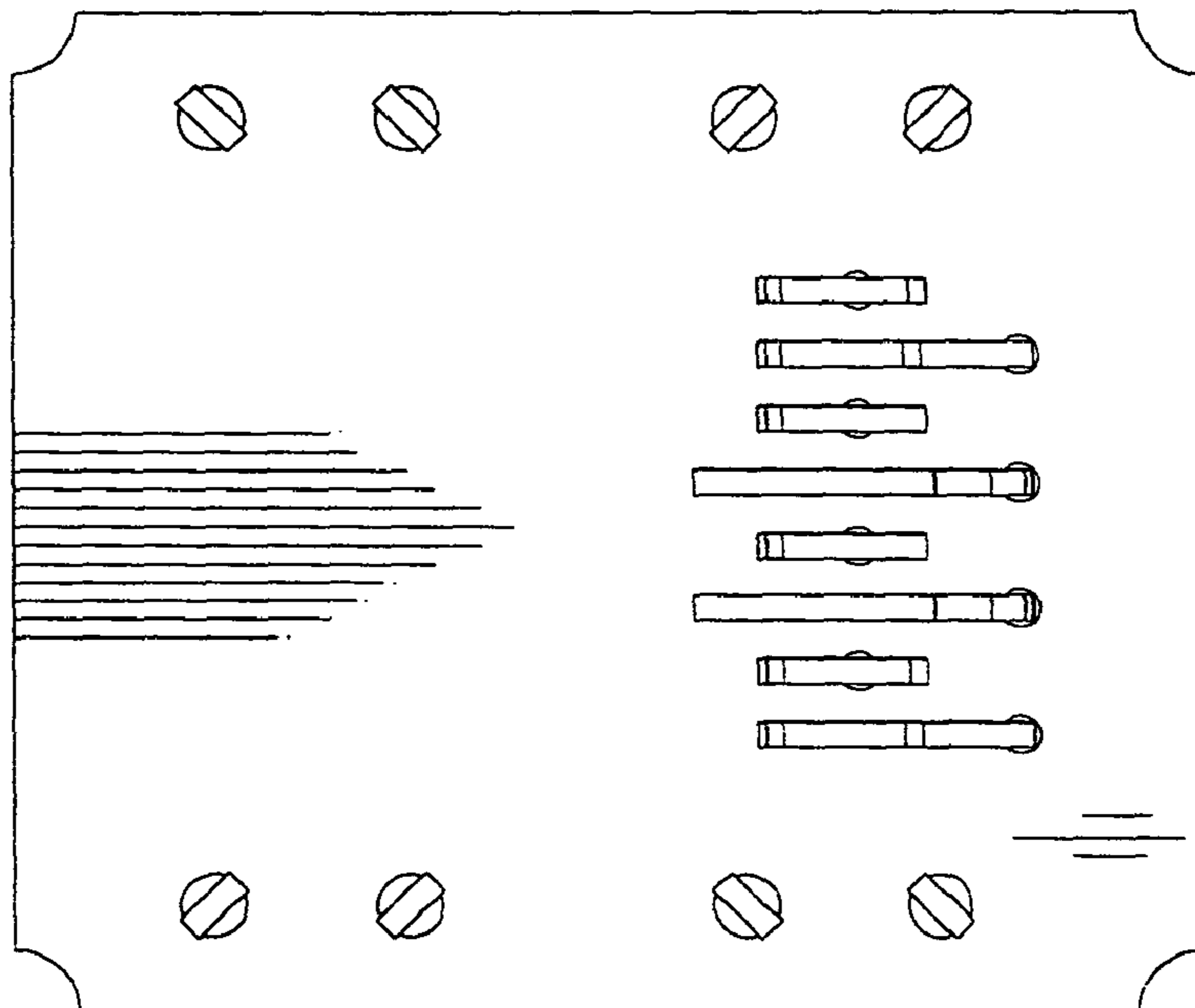


FIG. 2

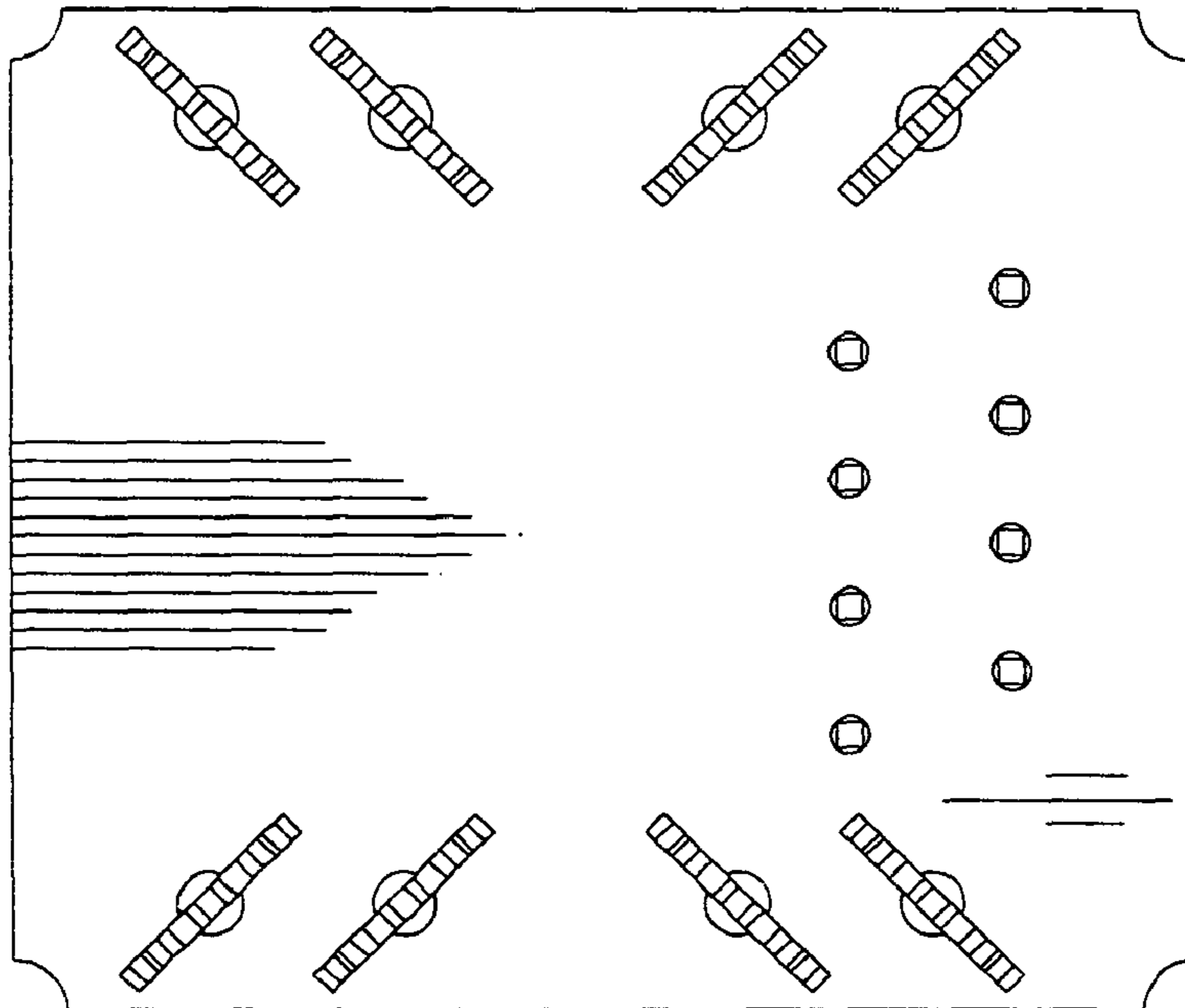


FIG. 3

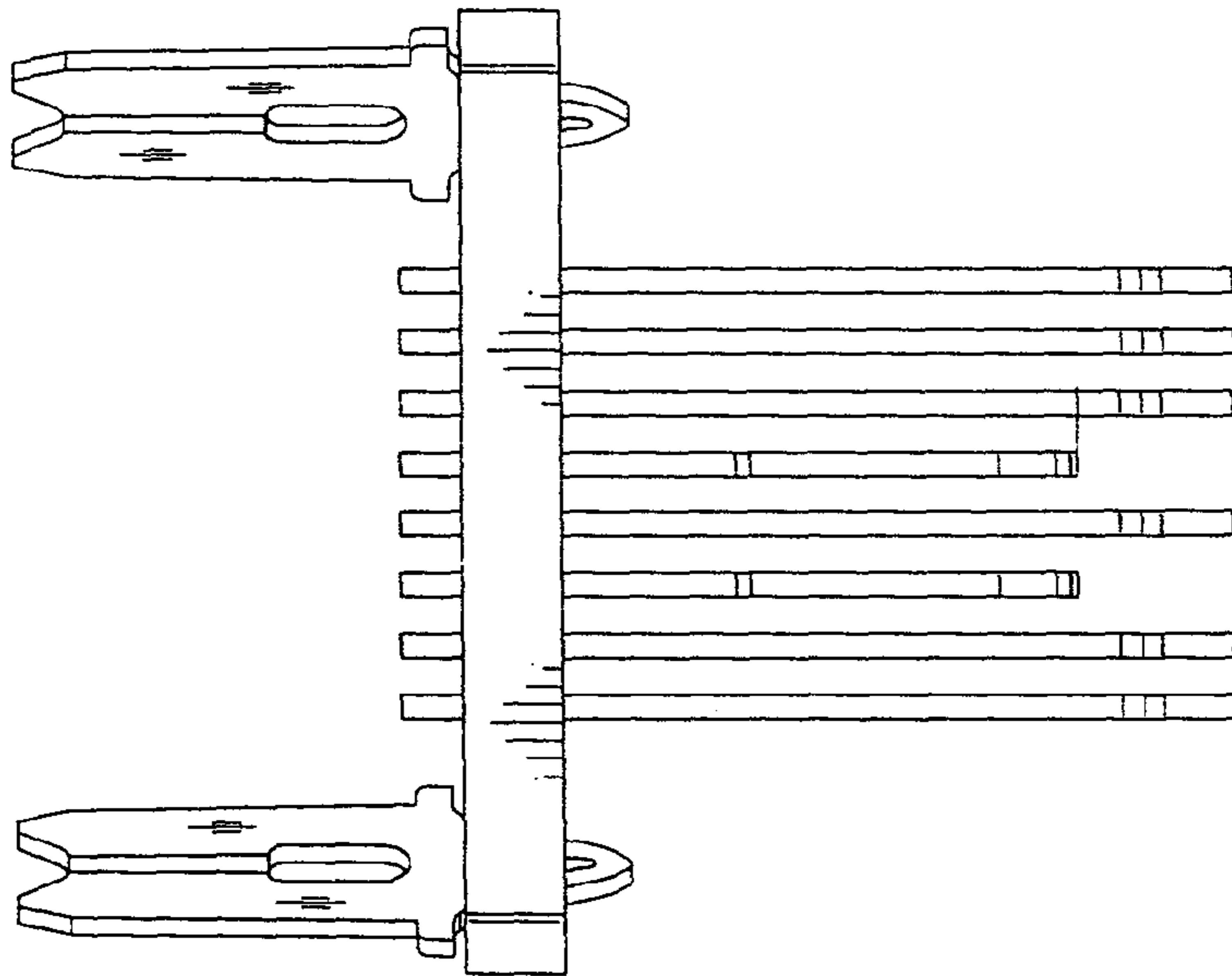


FIG. 4

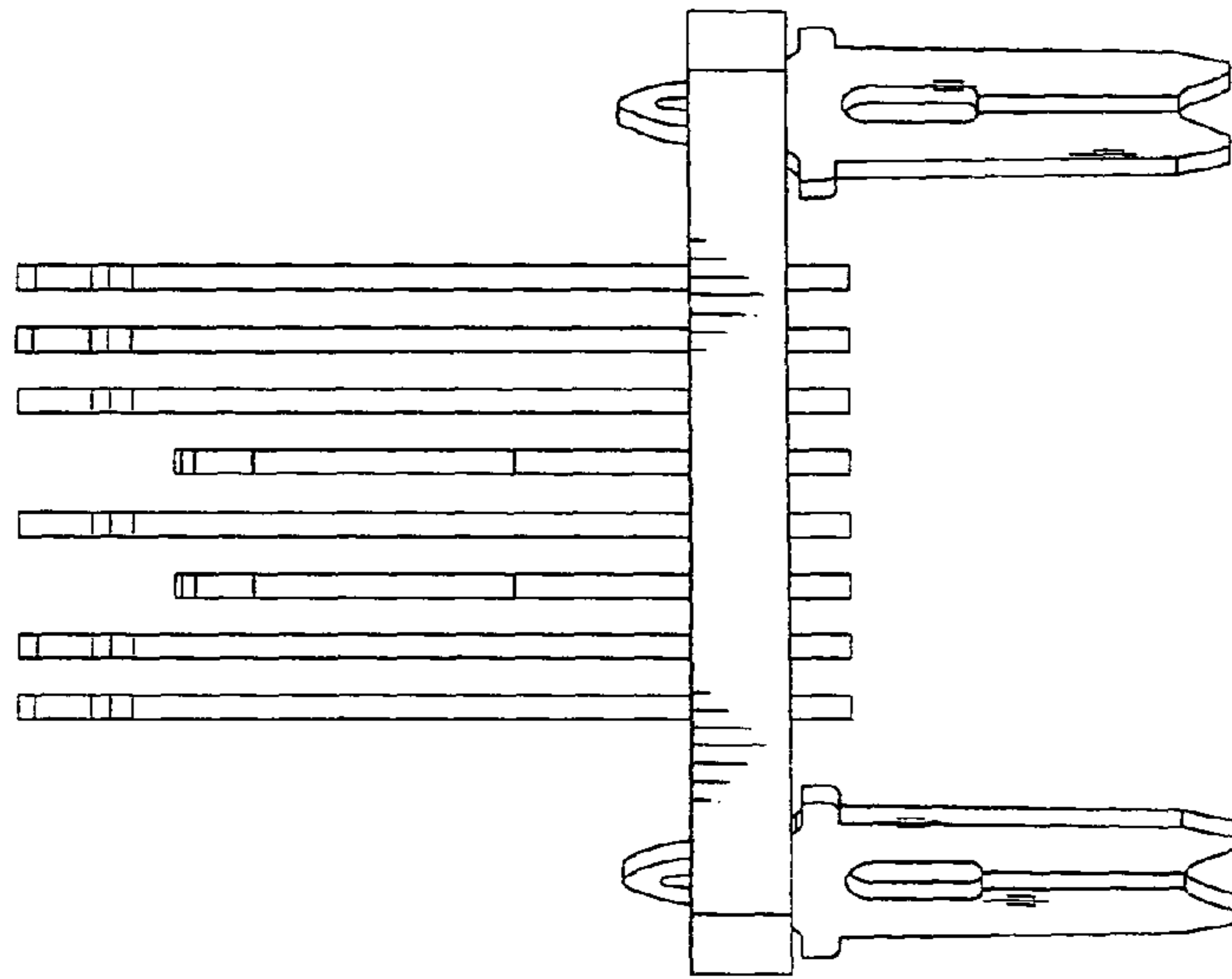


Fig. 5

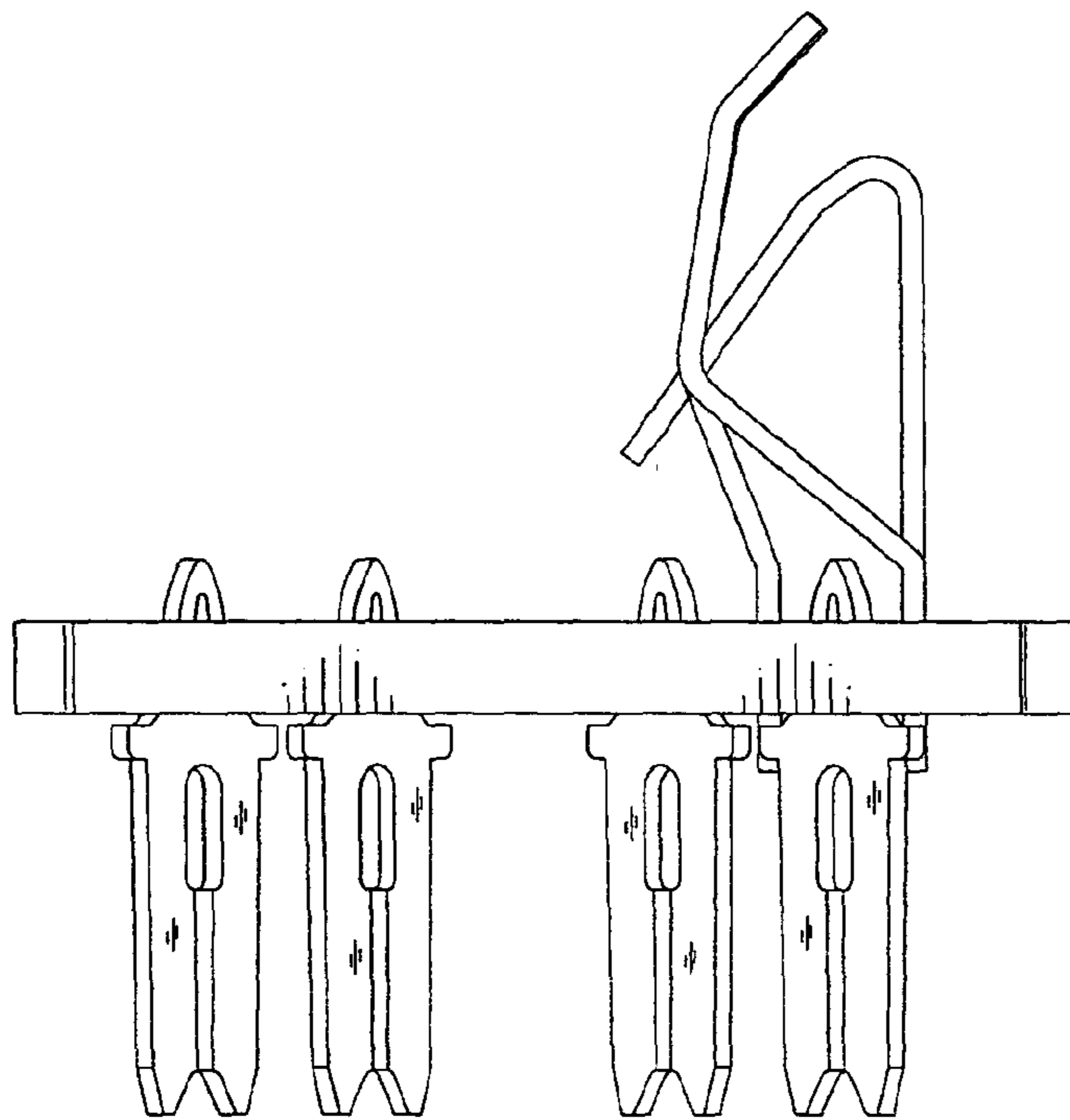


Fig. 6

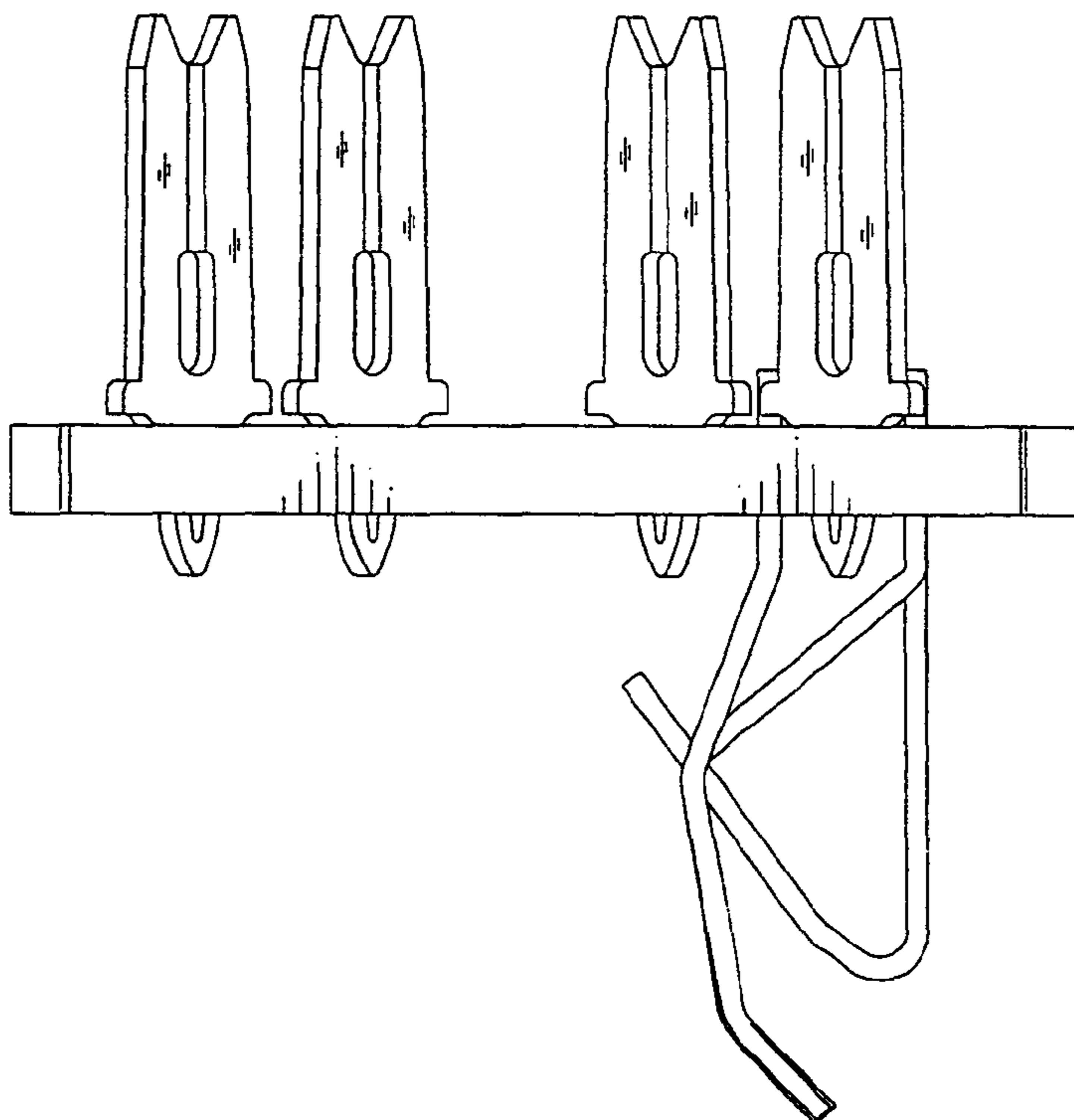


Fig. 7

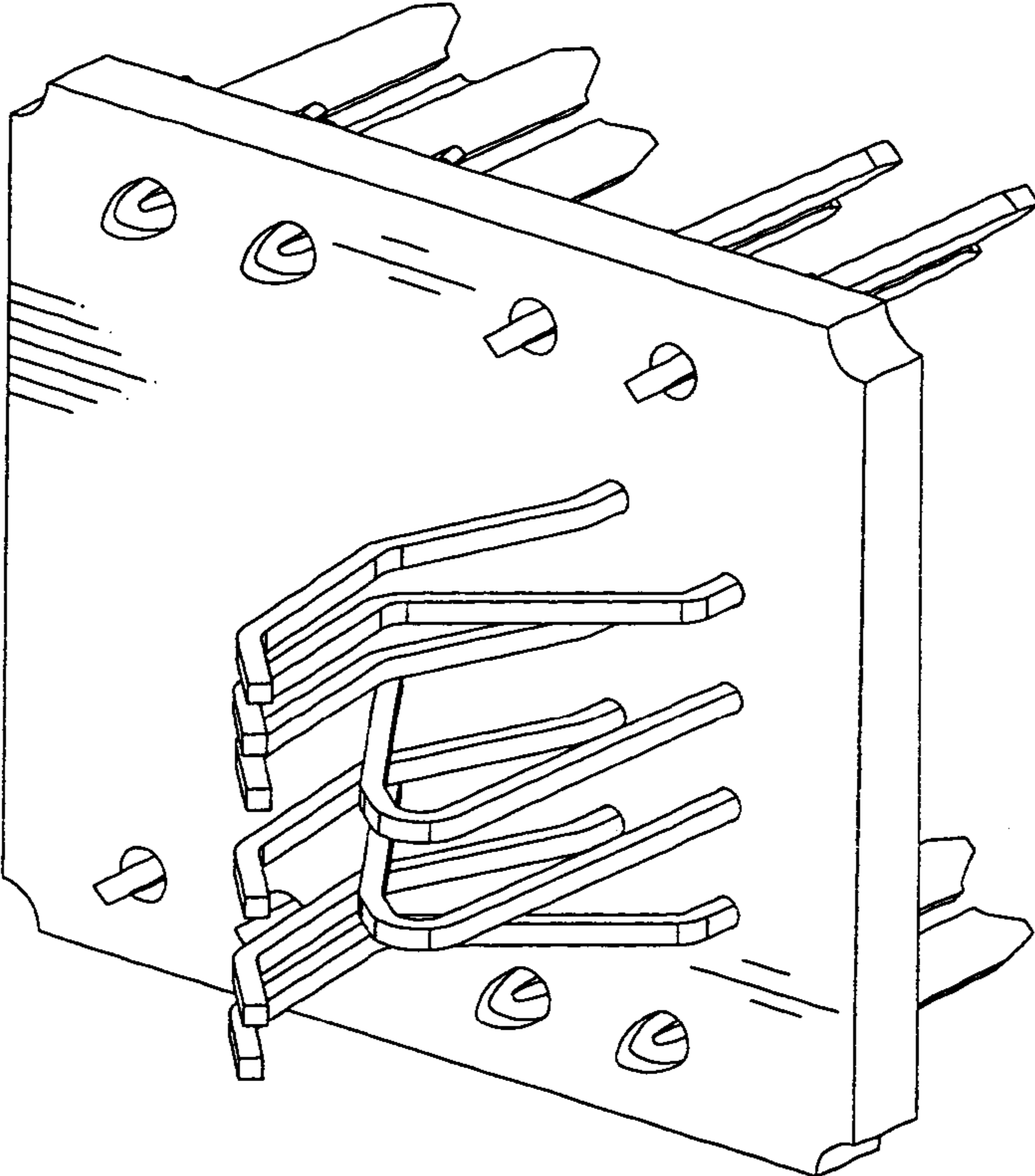


Fig. 8

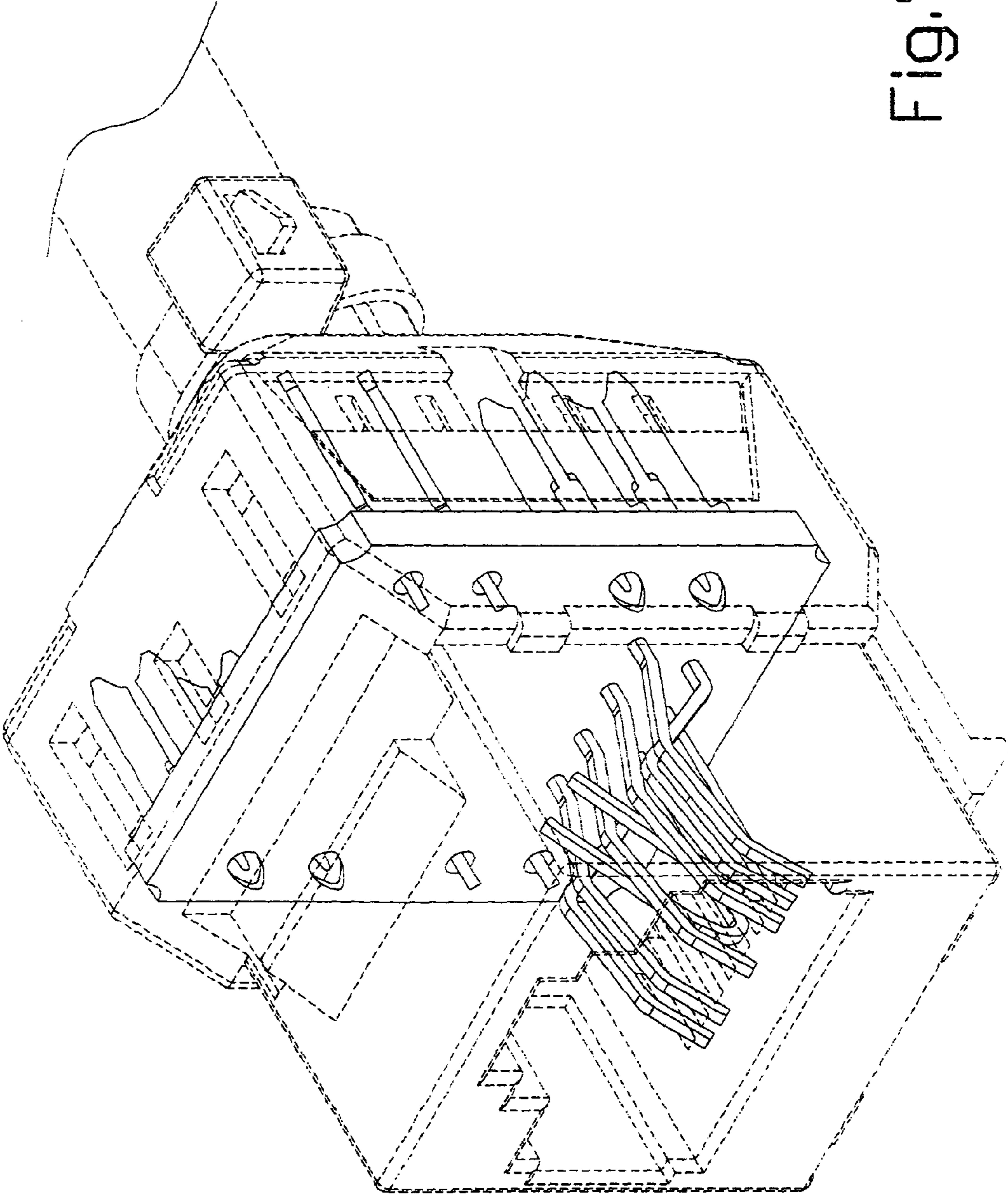


FIG. 9