



US00D617738S

(12) **United States Design Patent**  
**Chen et al.**

(10) **Patent No.:** **US D617,738 S**

(45) **Date of Patent:** **\*\* Jun. 15, 2010**

(54) **RECEPTACLE CONNECTOR**

D592,144 S \* 5/2009 Lai et al. .... D13/147  
D595,657 S \* 7/2009 Liu et al. .... D13/147

(75) Inventors: **Feng Chen**, Tu-Cheng (TW); **Feng Zhu**,  
Tu-Cheng (TW); **Kuo-Chin Lin**,  
Tu-Cheng (TW)

\* cited by examiner

*Primary Examiner*—Daniel D Bui

(74) *Attorney, Agent, or Firm*—Cheng-Ju Chiang

(73) Assignee: **Cheng UEI Precision Industry Co.,  
Ltd.**, Tu-Cheng, Taipei Hsien (TW)

(57) **CLAIM**

(\*\*) Term: **14 Years**

The ornamental design for receptacle connector, as shown  
and described.

(21) Appl. No.: **29/344,651**

(22) Filed: **Oct. 1, 2009**

**DESCRIPTION**

(51) **LOC (9) Cl.** ..... **13-03**

FIG. 1 is a perspective view of receptacle connector showing  
our new design;

(52) **U.S. Cl.** ..... **D13/147**

FIG. 2 is a front elevational view thereof;

(58) **Field of Classification Search** ..... D13/147,

FIG. 3 is a rear elevational view thereof;

D13/154, 184; 439/79, 108, 607–610, 680–682,  
439/686

FIG. 4 is a left side elevational view thereof;

See application file for complete search history.

FIG. 5 is a right side elevational view thereof;

FIG. 6 is a top plan view thereof;

FIG. 7 is a bottom plan view thereof; and,

FIG. 8 is another perspective view of receptacle connector  
showing our new design.

(56) **References Cited**

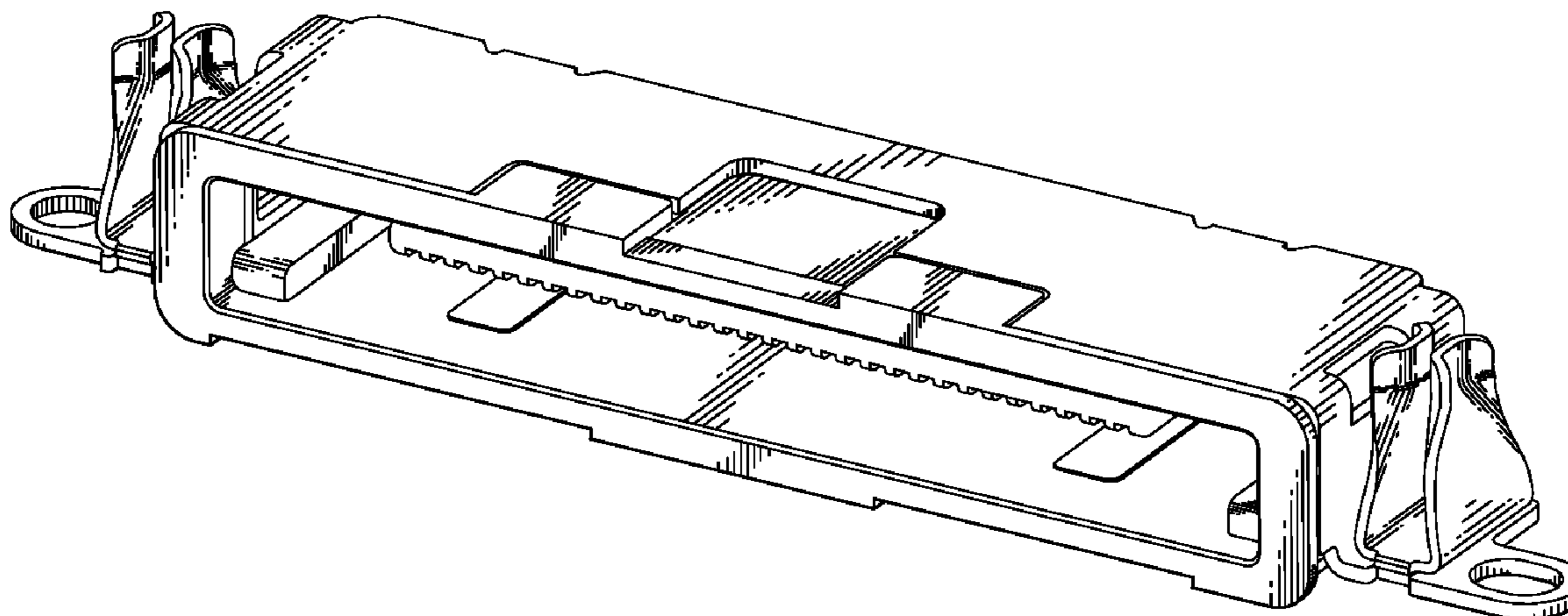
**U.S. PATENT DOCUMENTS**

D416,863 S \* 11/1999 Sato et al. .... D13/147

D552,554 S \* 10/2007 Lin et al. .... D13/147

D570,784 S \* 6/2008 Lin et al. .... D13/147

**1 Claim, 8 Drawing Sheets**



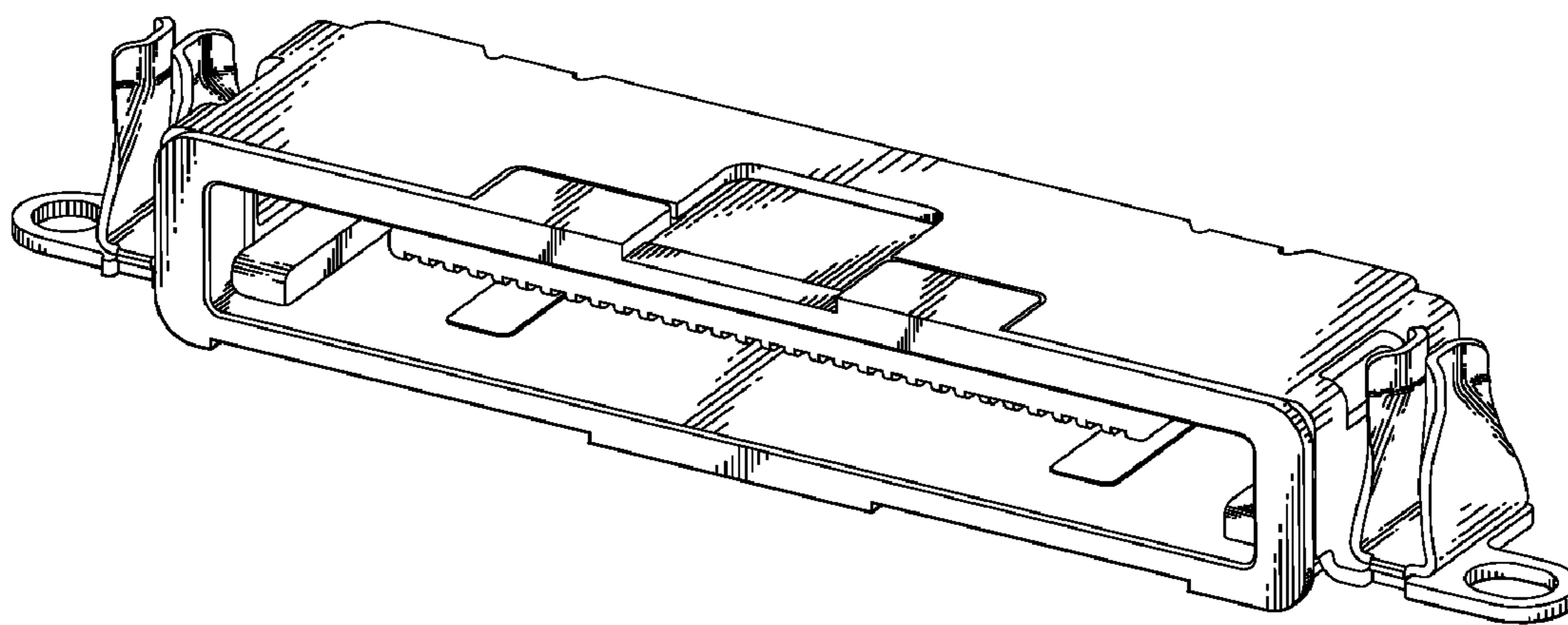


FIG. 1

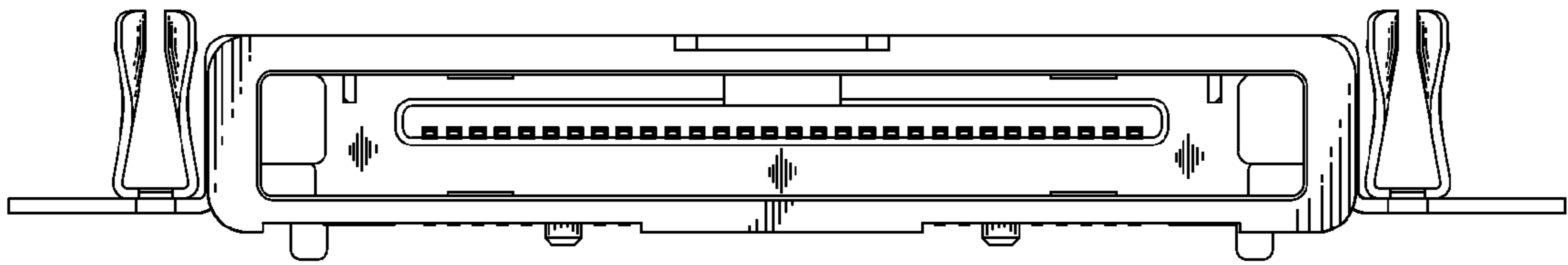


FIG. 2

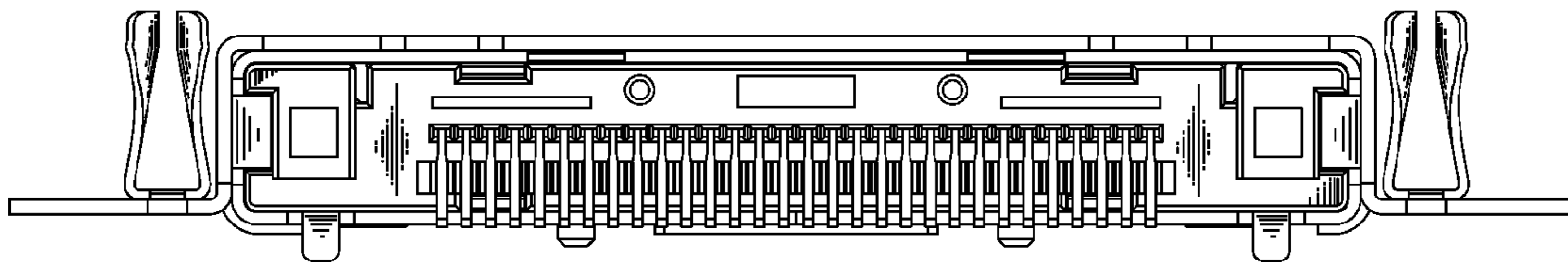


FIG. 3

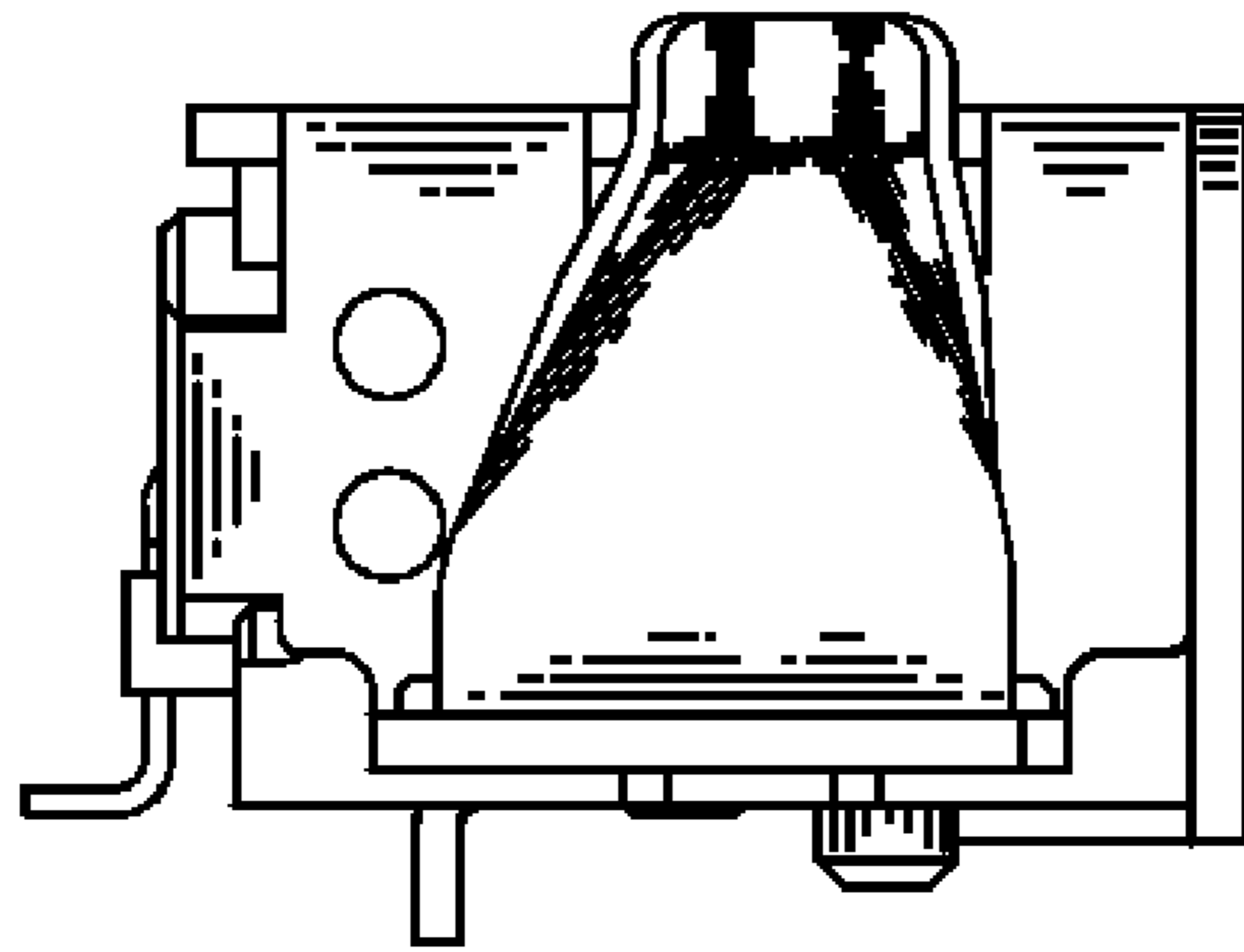


FIG. 4

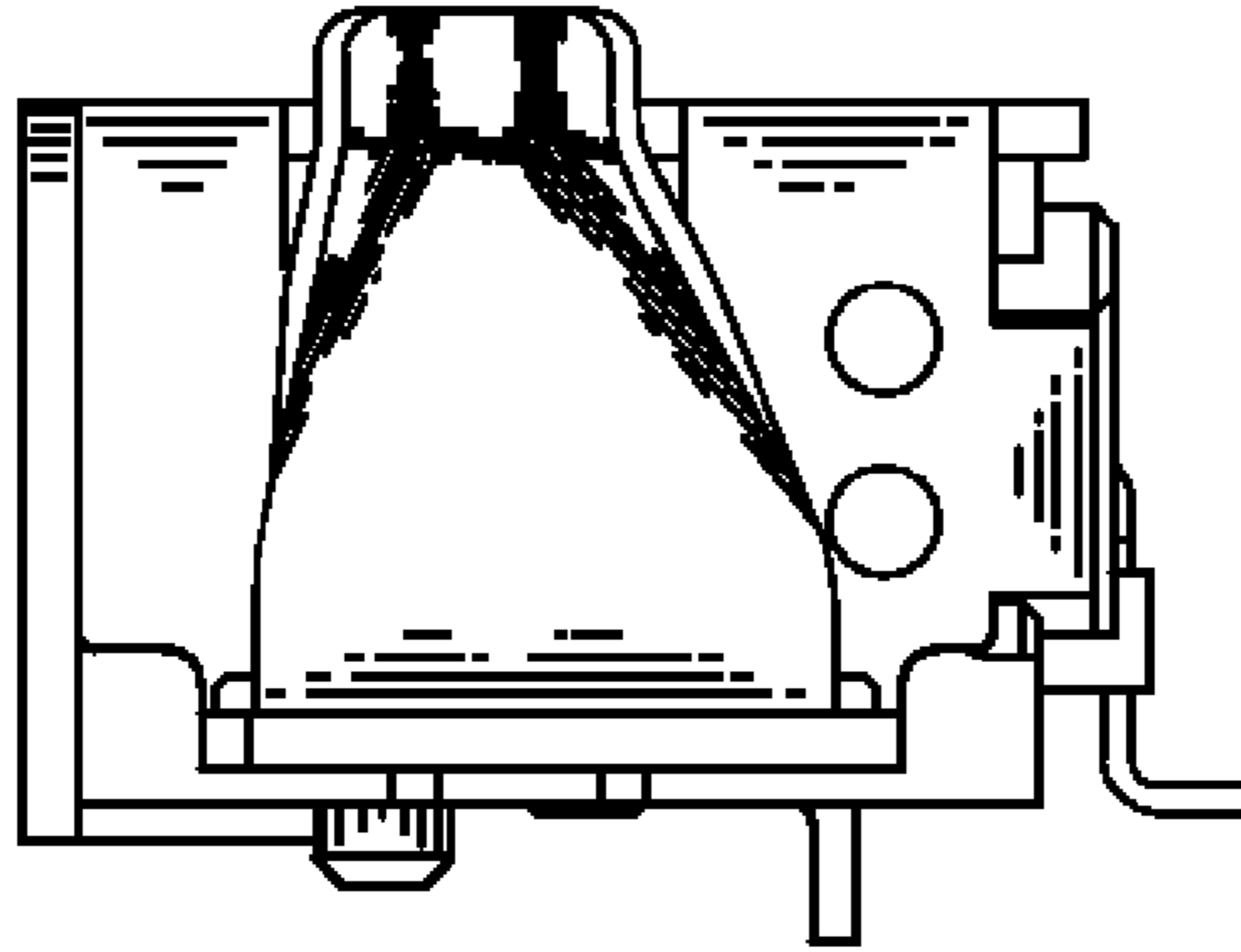


FIG. 5

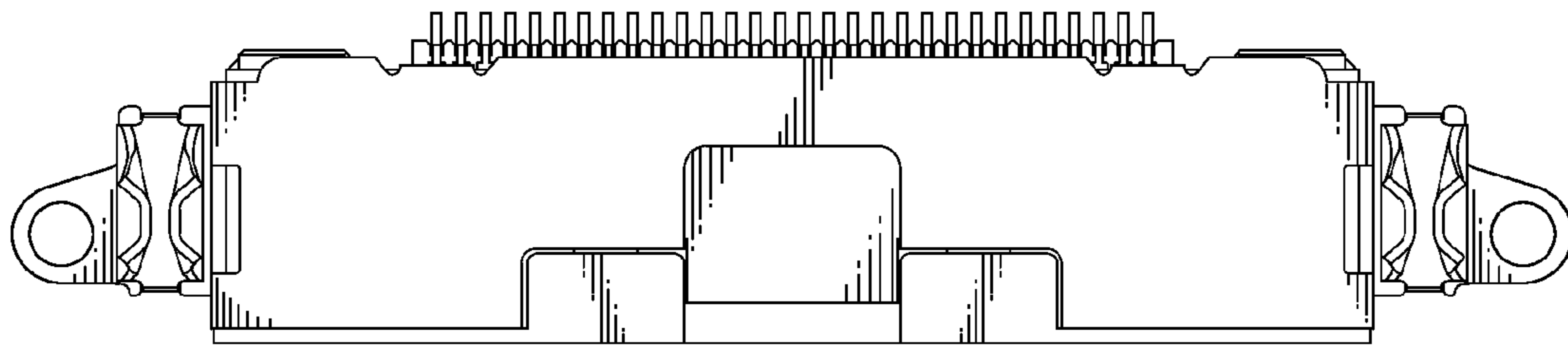


FIG. 6

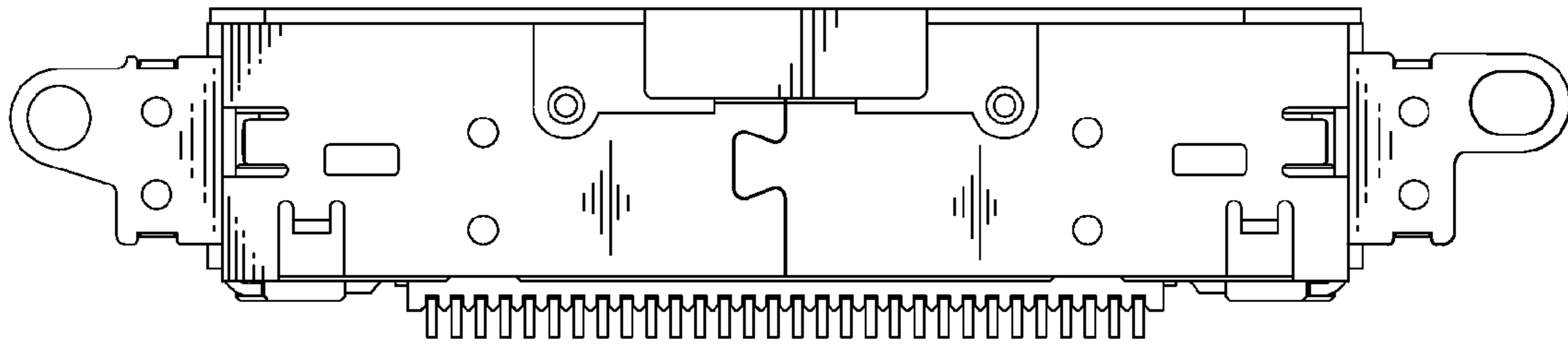


FIG. 7



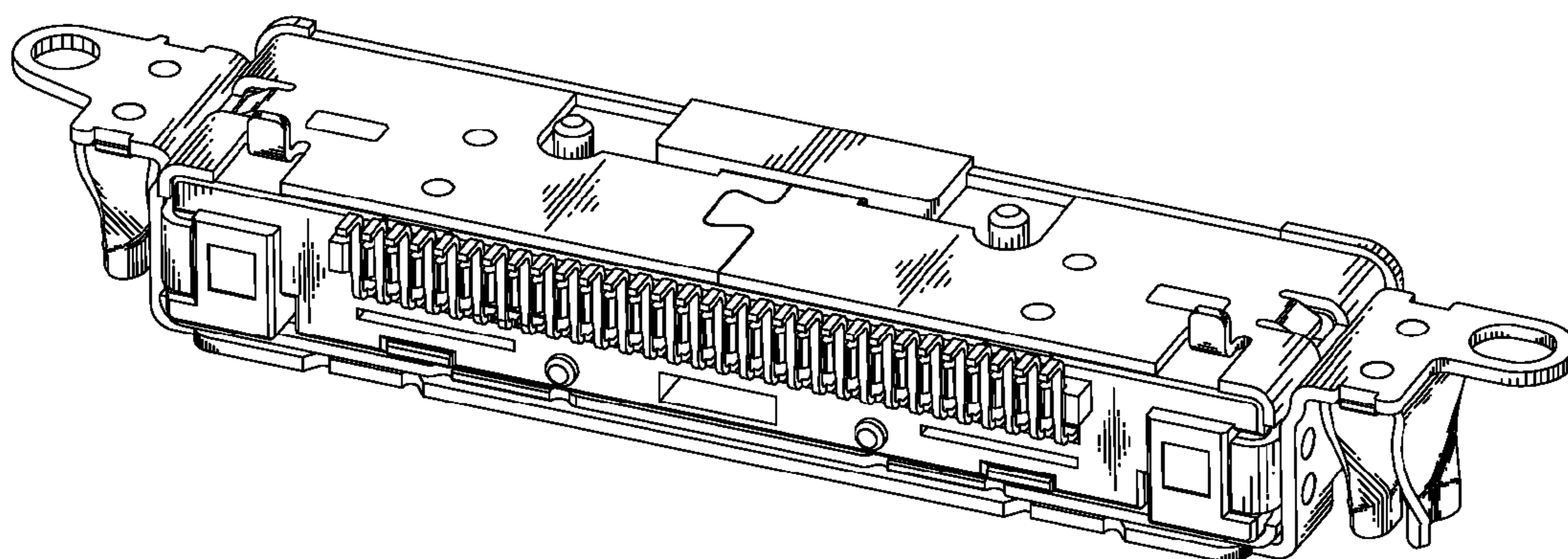


FIG. 8