



US00D617736S

(12) **United States Design Patent**  
**Masumoto et al.**

(10) **Patent No.:** **US D617,736 S**  
(45) **Date of Patent:** **\*\* Jun. 15, 2010**

(54) **ELECTRICAL CONNECTOR**

(75) Inventors: **Toshio Masumoto**, Tokyo (JP); **Yukiko Sato**, Tokyo (JP)

(73) Assignee: **Japan Aviation Electronics Industry, Limited**, Tokyo (JP)

(\*\*) Term: **14 Years**

(21) Appl. No.: **29/314,802**

(22) Filed: **May 1, 2009**

(30) **Foreign Application Priority Data**

Dec. 3, 2008 (JP) ..... 2008-030932

(51) **LOC (9) Cl.** ..... **13-03**

(52) **U.S. Cl.** ..... **D13/147**

(58) **Field of Classification Search** ..... D13/133,  
D13/146, 147, 154, 184, 199; 439/79, 108,  
439/278, 374, 377, 607-610, 660, 680, 682,  
439/883, 891, 894

See application file for complete search history.

(56) **References Cited**

**U.S. PATENT DOCUMENTS**

D490,234 S *	5/2004	Masaki	.....	D13/133
D500,014 S *	12/2004	Lin	.....	D13/147
D526,965 S *	8/2006	Chien Chiu	.....	D13/147
D559,192 S *	1/2008	Arai et al.	.....	D13/147
D587,655 S *	3/2009	Chiang	.....	D13/147

**FOREIGN PATENT DOCUMENTS**

JP D 1329376 5/2008

**OTHER PUBLICATIONS**

Japanese Office Action (w/Eng. translation) dated Aug. 20, 2009.

\* cited by examiner

*Primary Examiner*—Daniel D Bui

(74) *Attorney, Agent, or Firm*—Collard & Roe, P.C.

(57) **CLAIM**

The ornamental design for an electrical connector, as shown and described.

**DESCRIPTION**

FIG. 1 is a front elevational view of an electrical connector showing our new design;

FIG. 2 is a rear elevational view thereof;

FIG. 3 is a left side elevational view thereof;

FIG. 4 is a right side elevational view thereof;

FIG. 5 is a top plan view thereof;

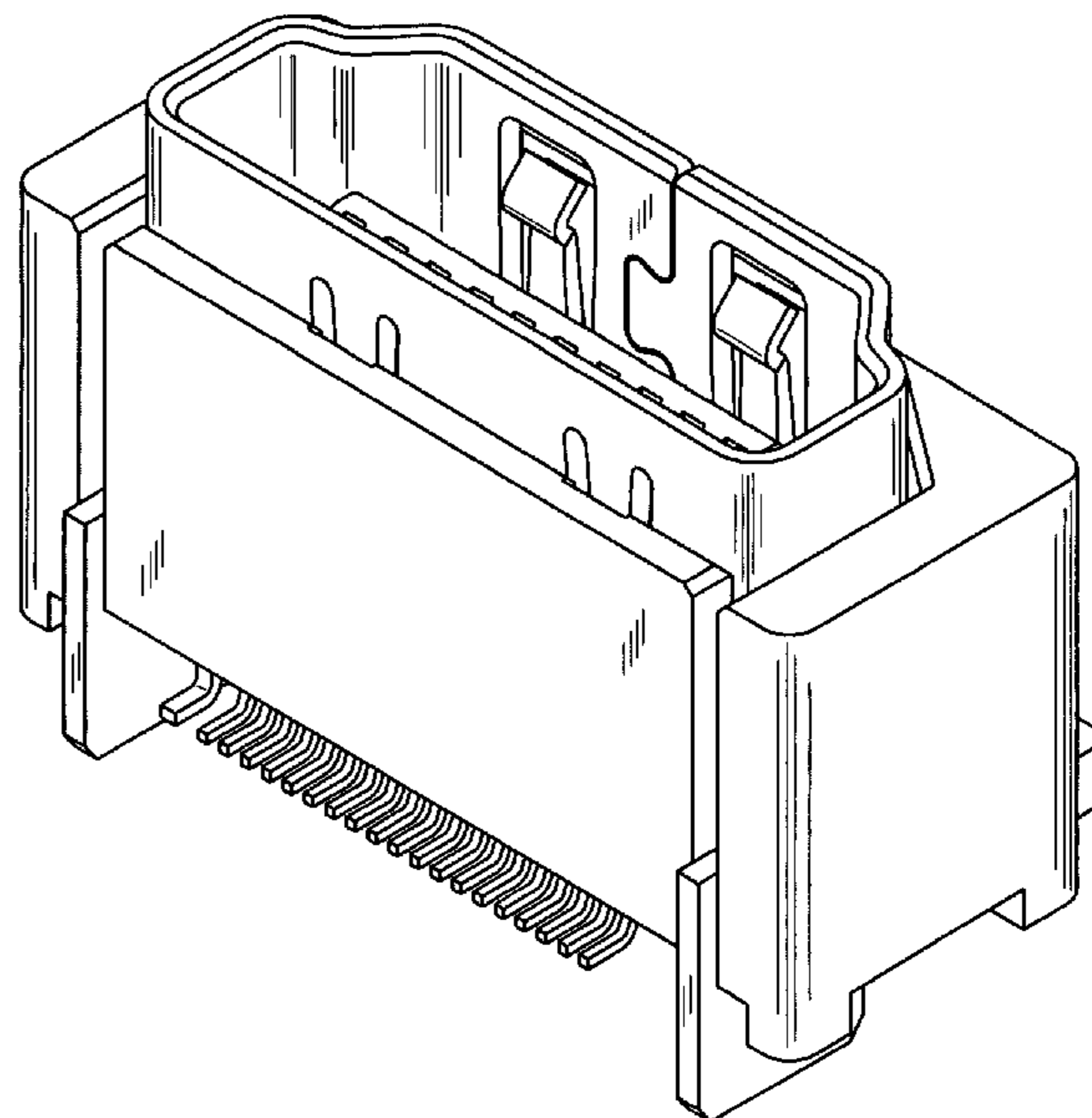
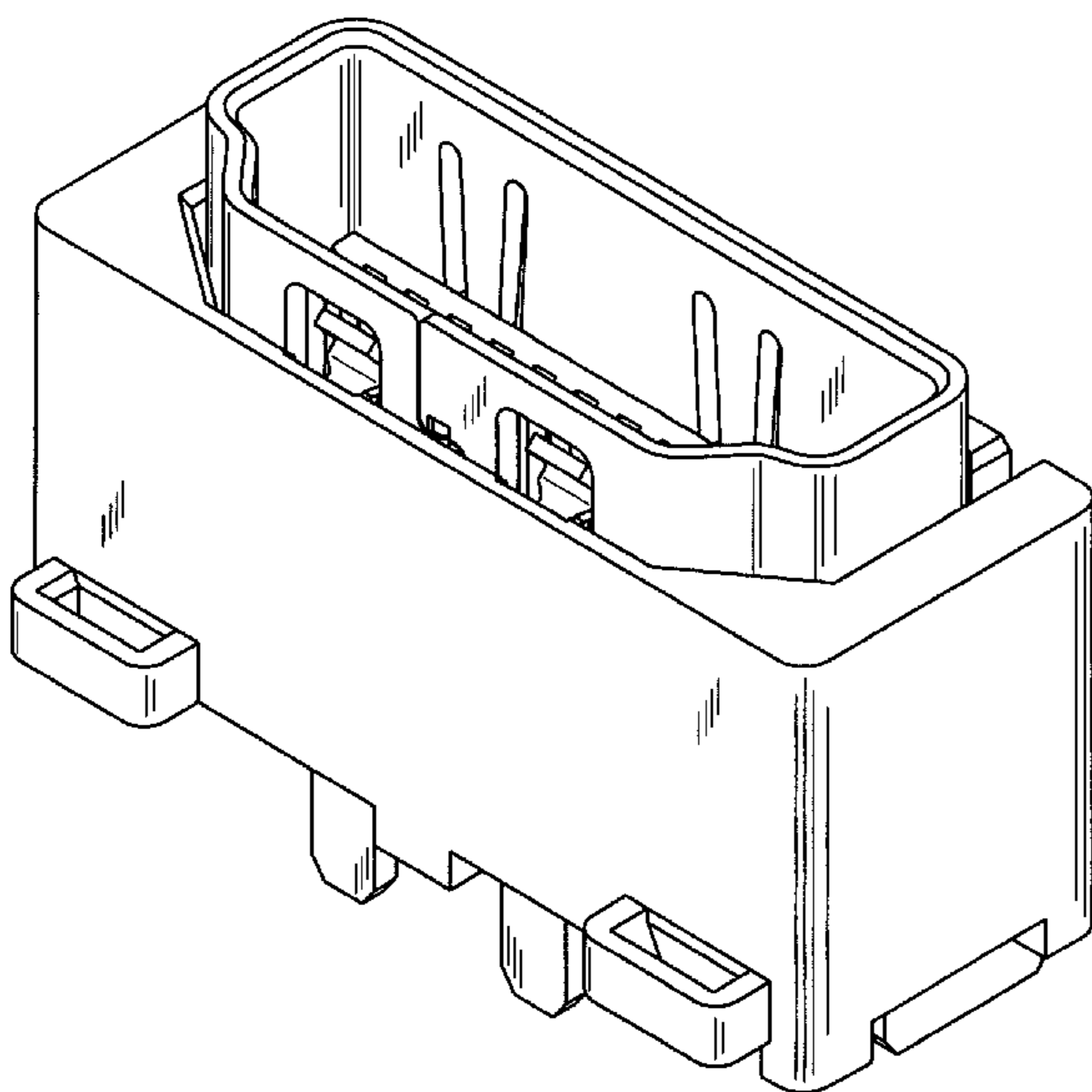
FIG. 6 is a bottom plan view thereof;

FIG. 7 is a cross sectional view thereof, taken along lines "7-7" of FIG. 5;

FIG. 8 is a front, top and right side perspective view thereof; and,

FIG. 9 is a rear, top and left side perspective view thereof.

**1 Claim, 9 Drawing Sheets**



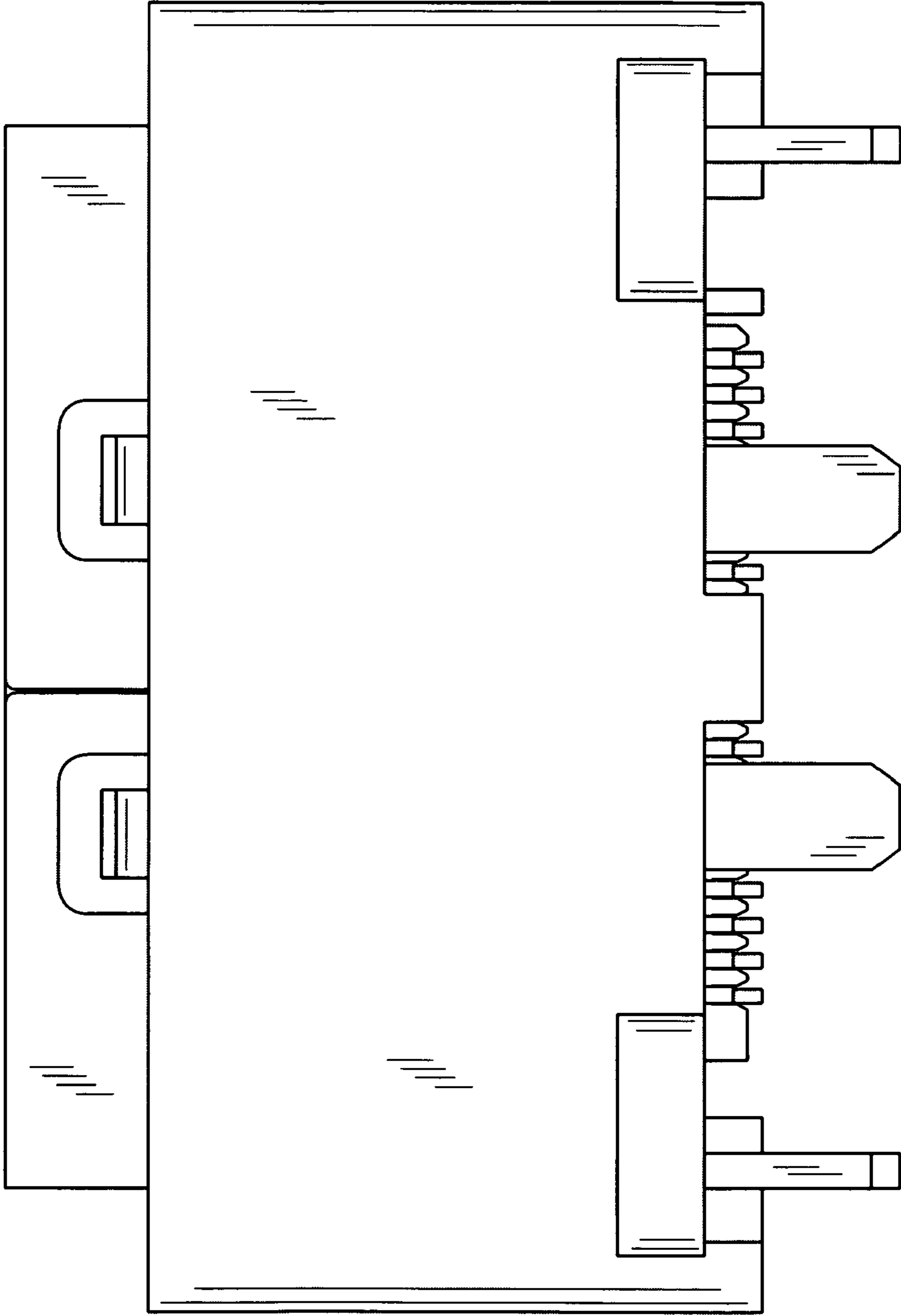


FIG. 1

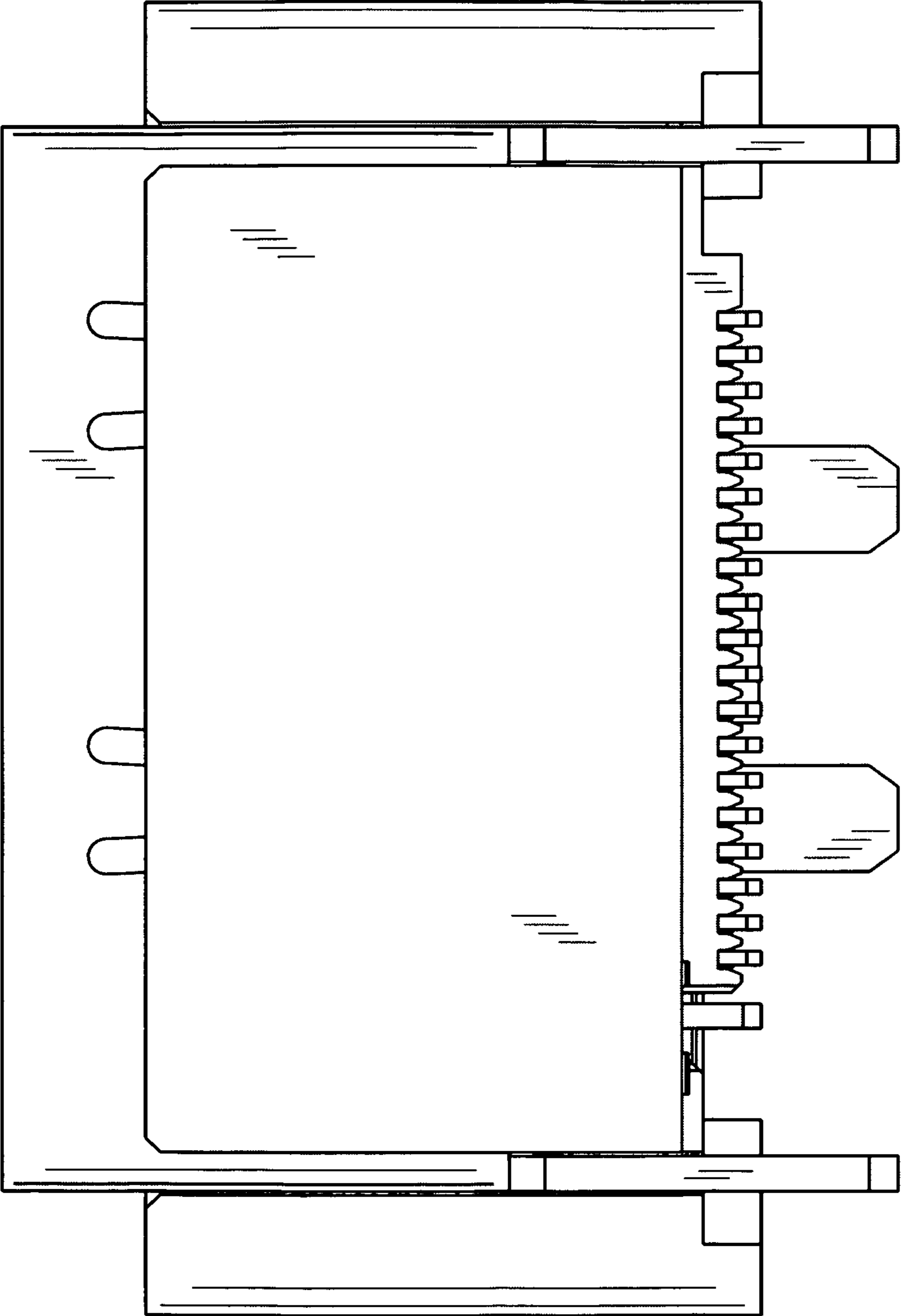


FIG. 2

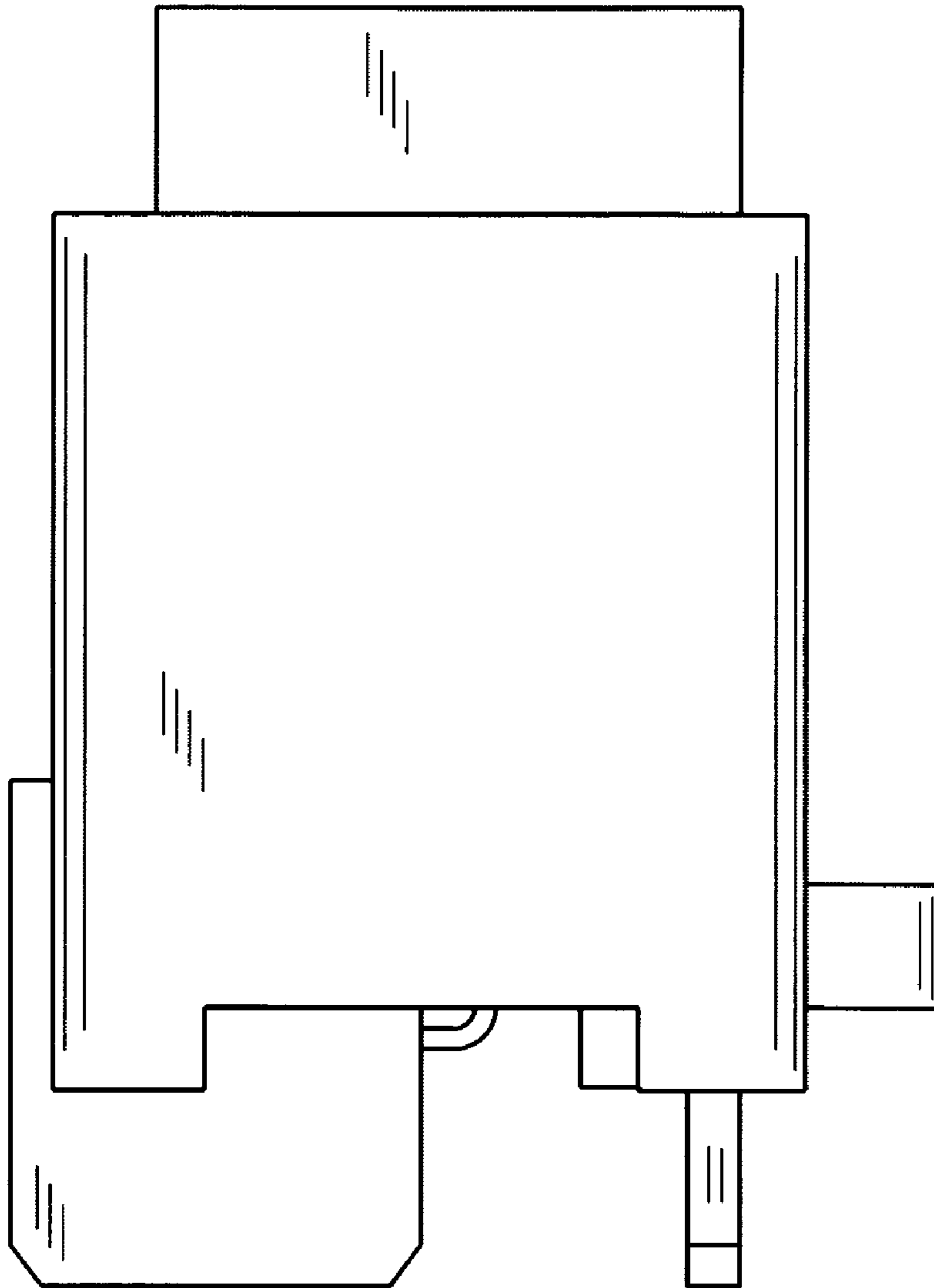


FIG. 3

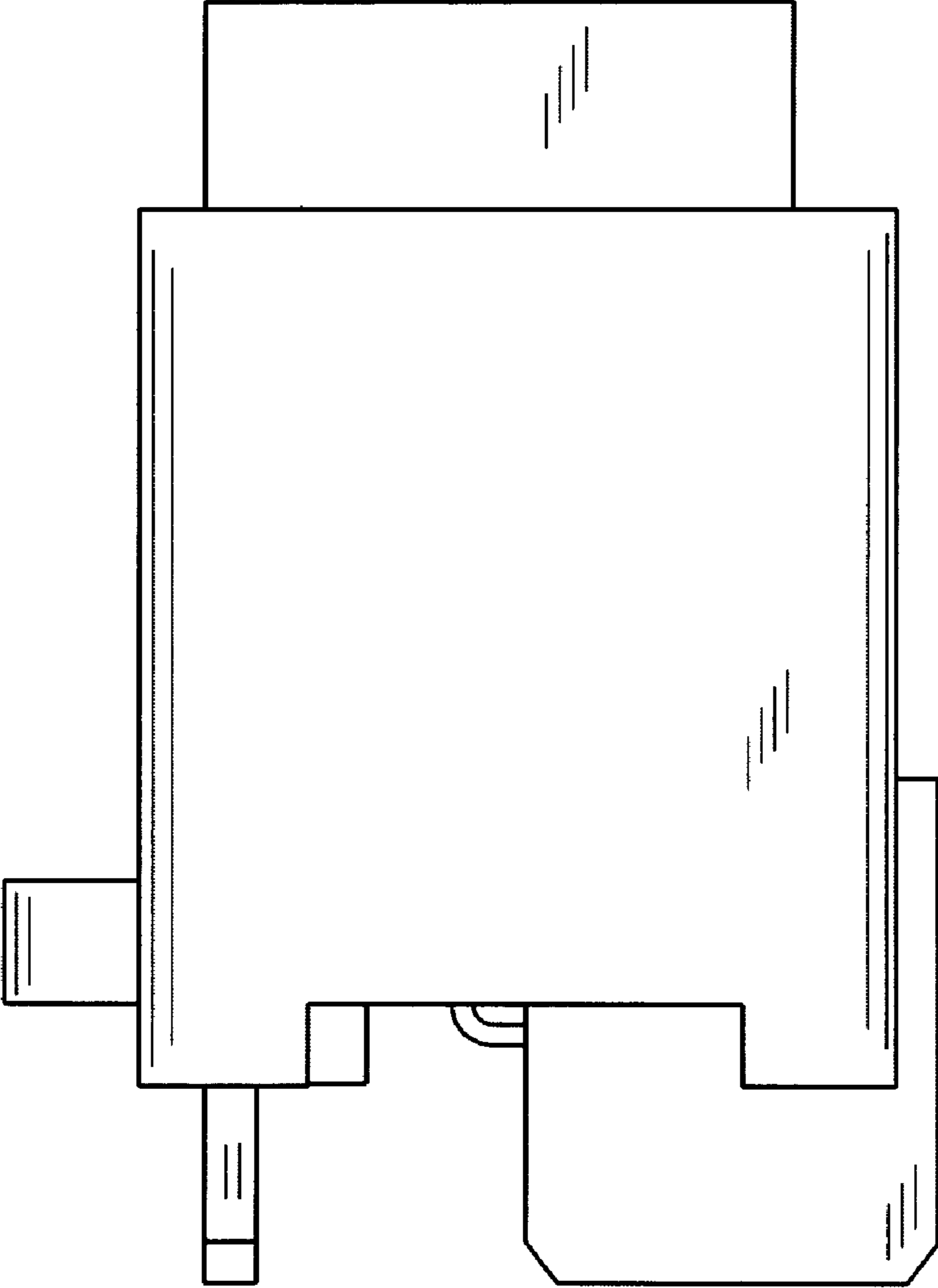


FIG. 4

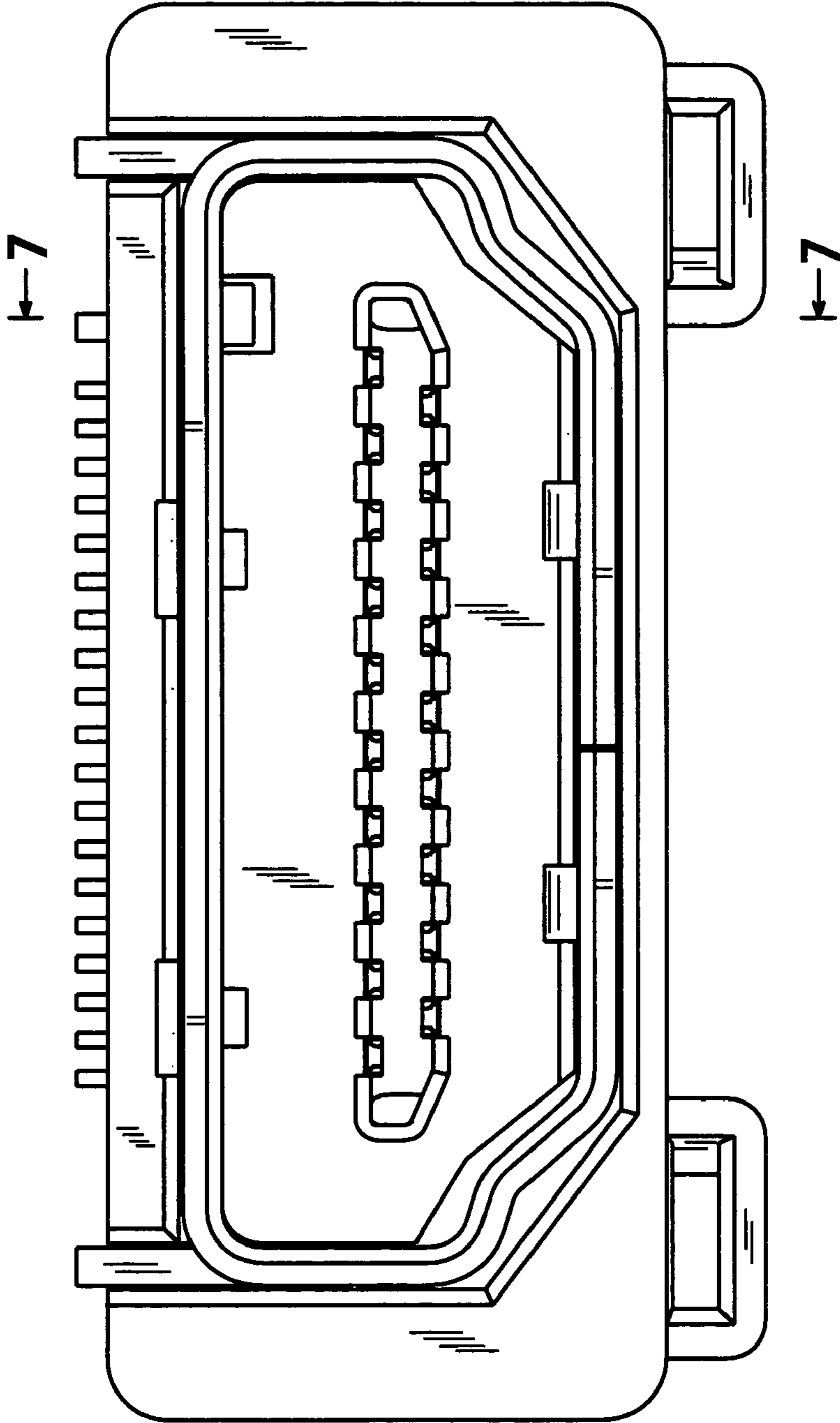


FIG. 5

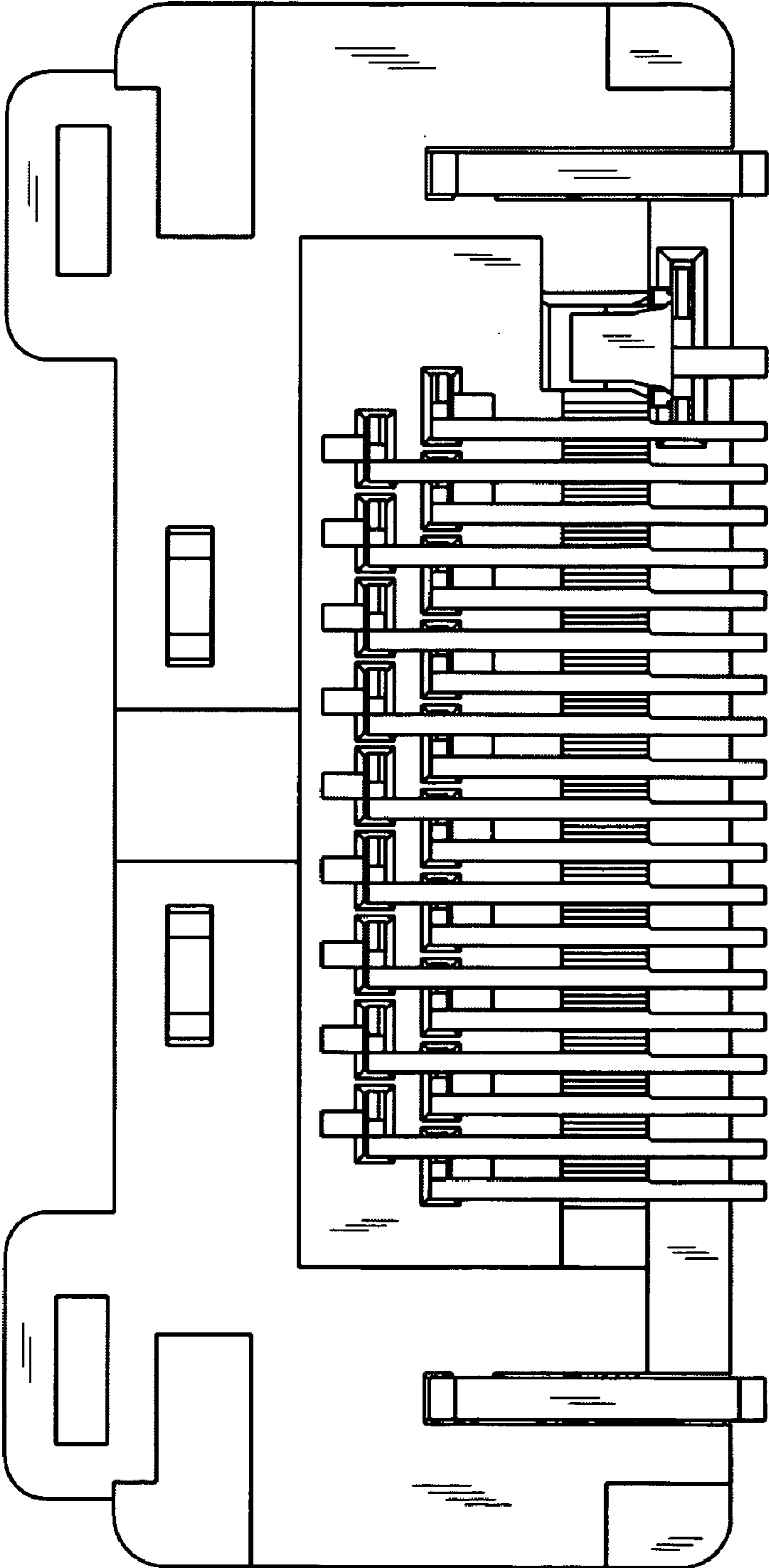


FIG. 6

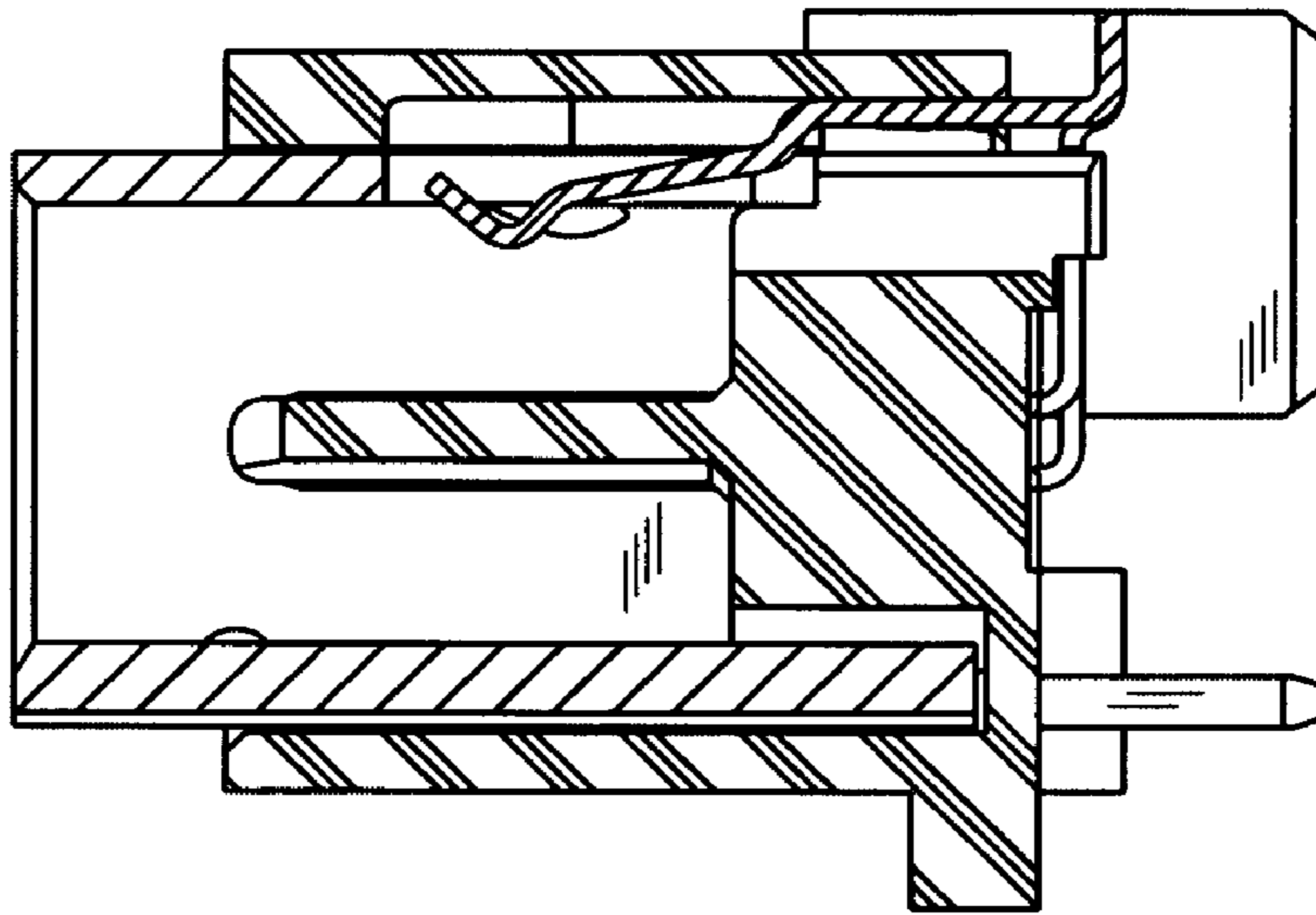


FIG. 7



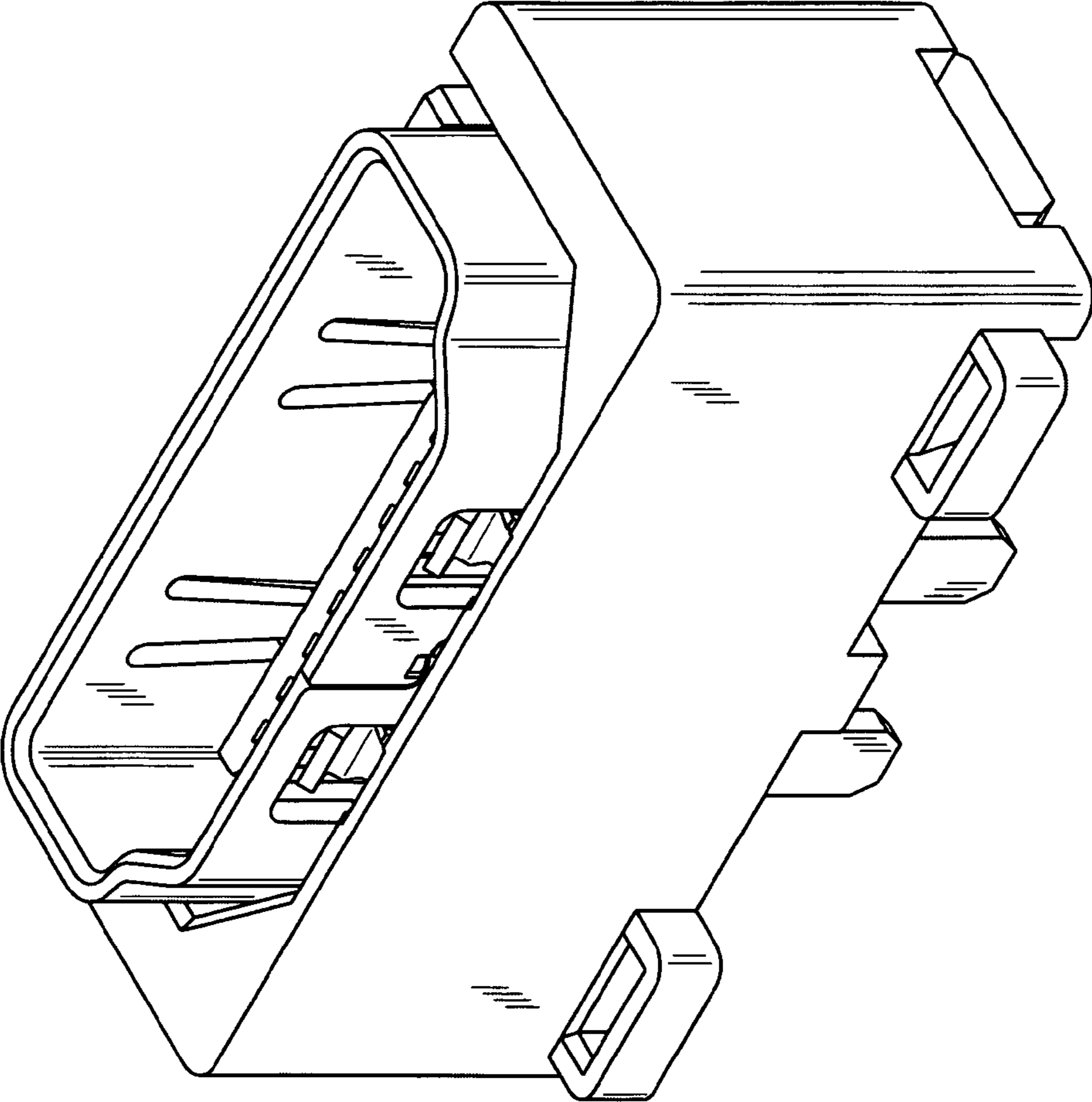


FIG. 8

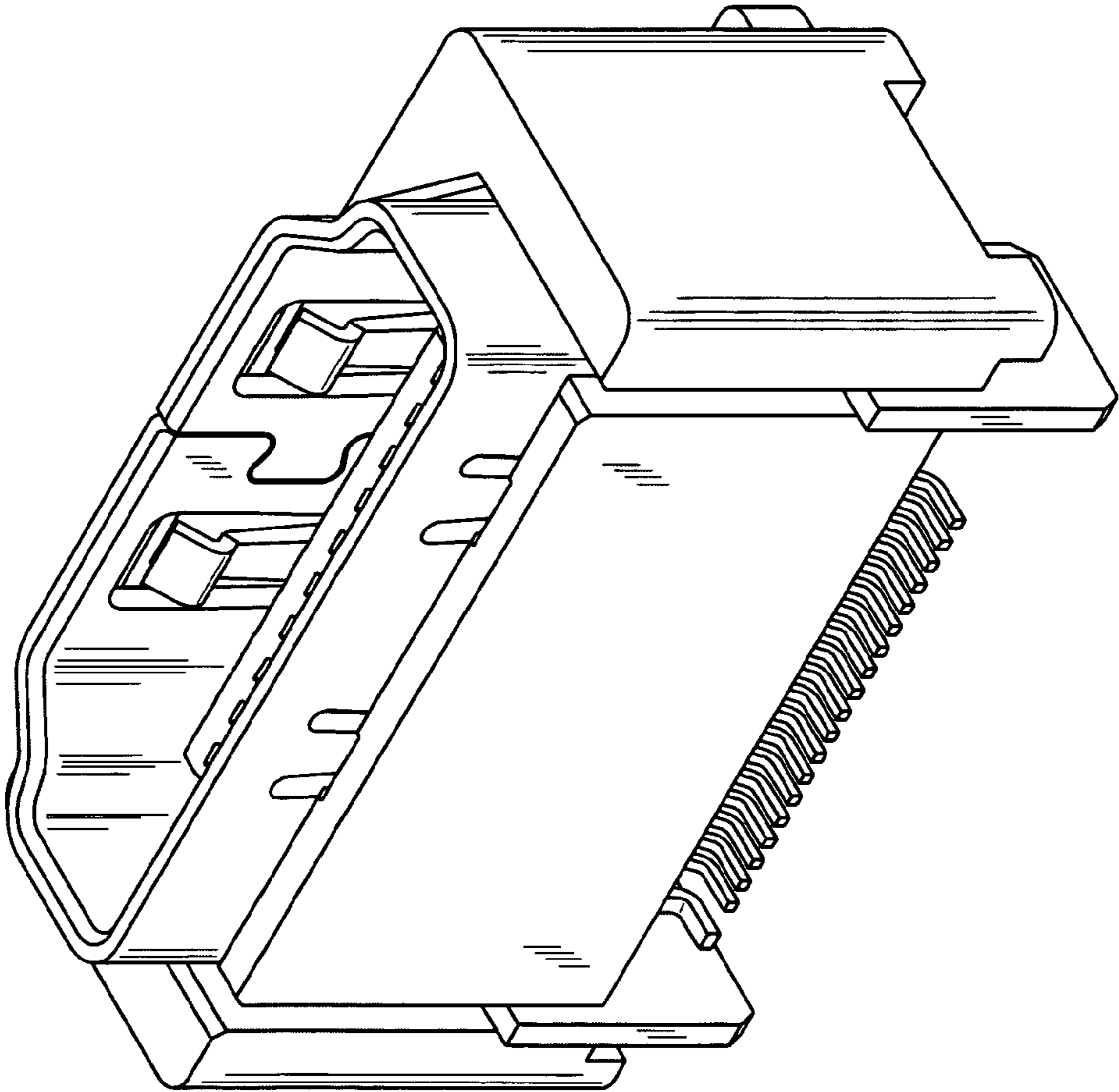


FIG. 9