



US00D617735S

(12) **United States Design Patent**
Kovacs et al.

(10) **Patent No.:** **US D617,735 S**
(45) **Date of Patent:** **** Jun. 15, 2010**

(54) **COMPACT BASE**

D575,235 S * 8/2008 Zayas D13/136

(75) Inventors: **George Kovacs**, Wallingford, CT (US);
Betty Jean Zayas, Bridgeport, CT (US);
Arpad D. Kolbe, Orange, CT (US)

* cited by examiner

Primary Examiner—Daniel D Bui

Assistant Examiner—Thomas J Johannes

(73) Assignee: **Light Sources, Inc.**, Orange, CT (US)

(74) *Attorney, Agent, or Firm*—Cantor Colburn LLP

(**) Term: **14 Years**

(57) **CLAIM**

(21) Appl. No.: **29/334,114**

The ornamental design for compact base, as shown and described.

(22) Filed: **Mar. 20, 2009**

DESCRIPTION

(51) **LOC (9) Cl.** **13-03**

(52) **U.S. Cl.** **D13/136**

(58) **Field of Classification Search** D13/133–136,
D13/146, 147, 151, 154, 184, 199; D26/24,
D26/113; 313/318.01–318.05, 318.12; 362/260,
362/581; 439/168, 220, 226, 232, 280, 291,
439/336, 375, 378, 379, 419, 602, 626, 639,
439/649

FIG. 1 is a bottom perspective view of our new compact base;

FIG. 2 is a top perspective view thereof;

FIG. 3 is a front view thereof;

FIG. 4 is a bottom view of thereof;

FIG. 5 is a side view thereof; and,

FIG. 6 is a top view thereof.

See application file for complete search history.

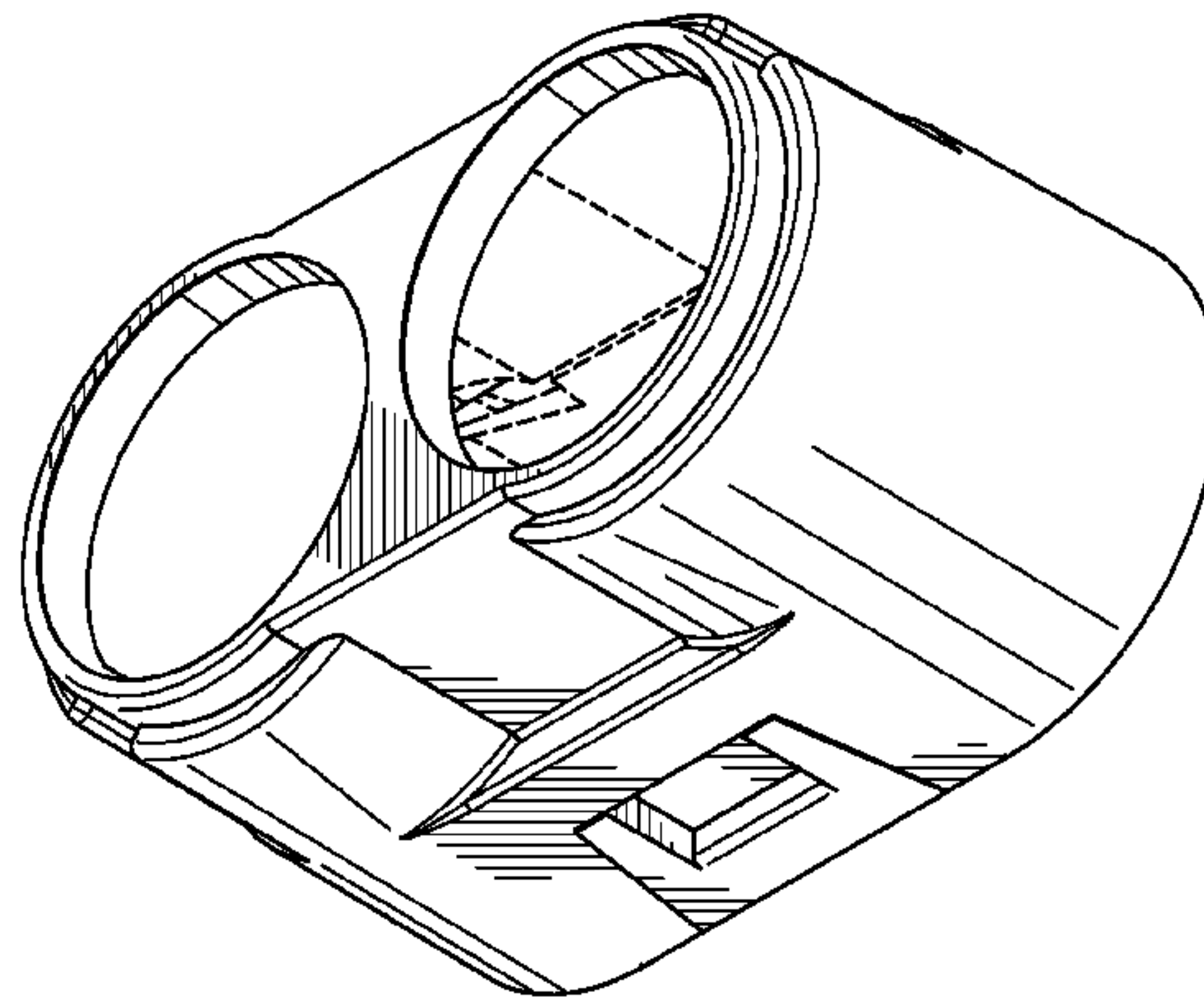
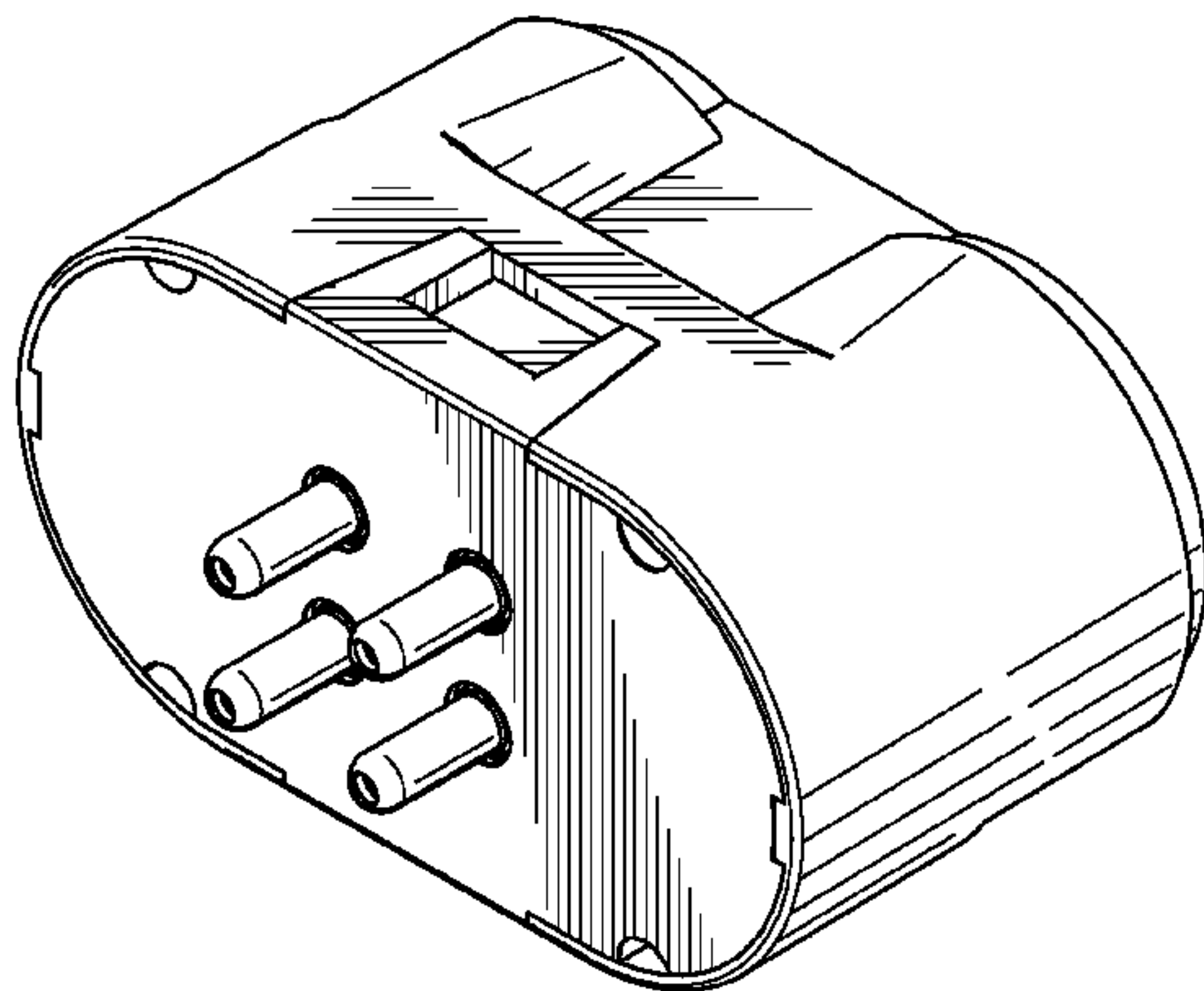
The broken line portion of FIG. 6 is included to show unclaimed internal subject matter only and forms no part of the claimed design.

(56) **References Cited**

U.S. PATENT DOCUMENTS

D546,763 S * 7/2007 Kovacs D13/136

1 Claim, 3 Drawing Sheets



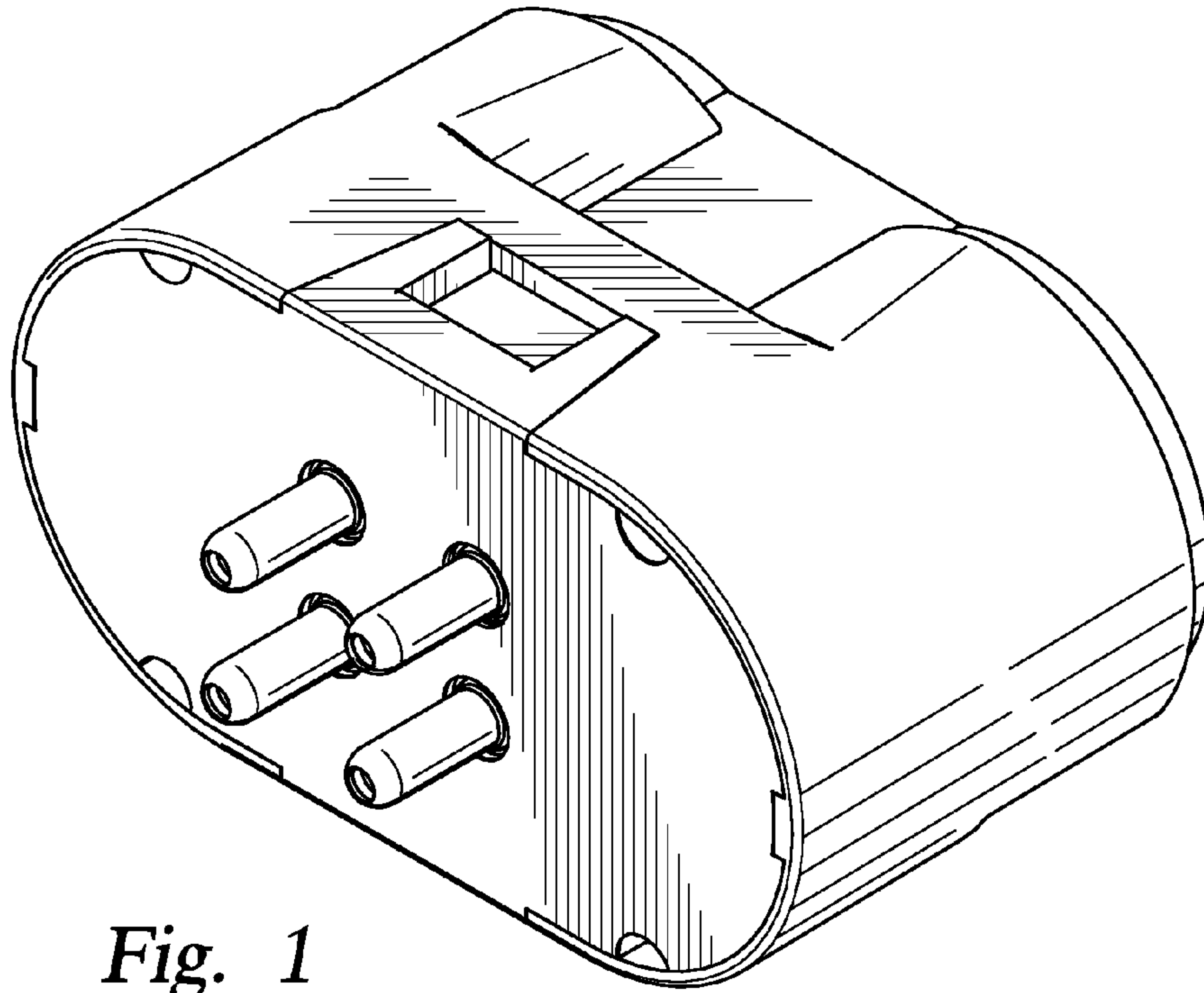


Fig. 1

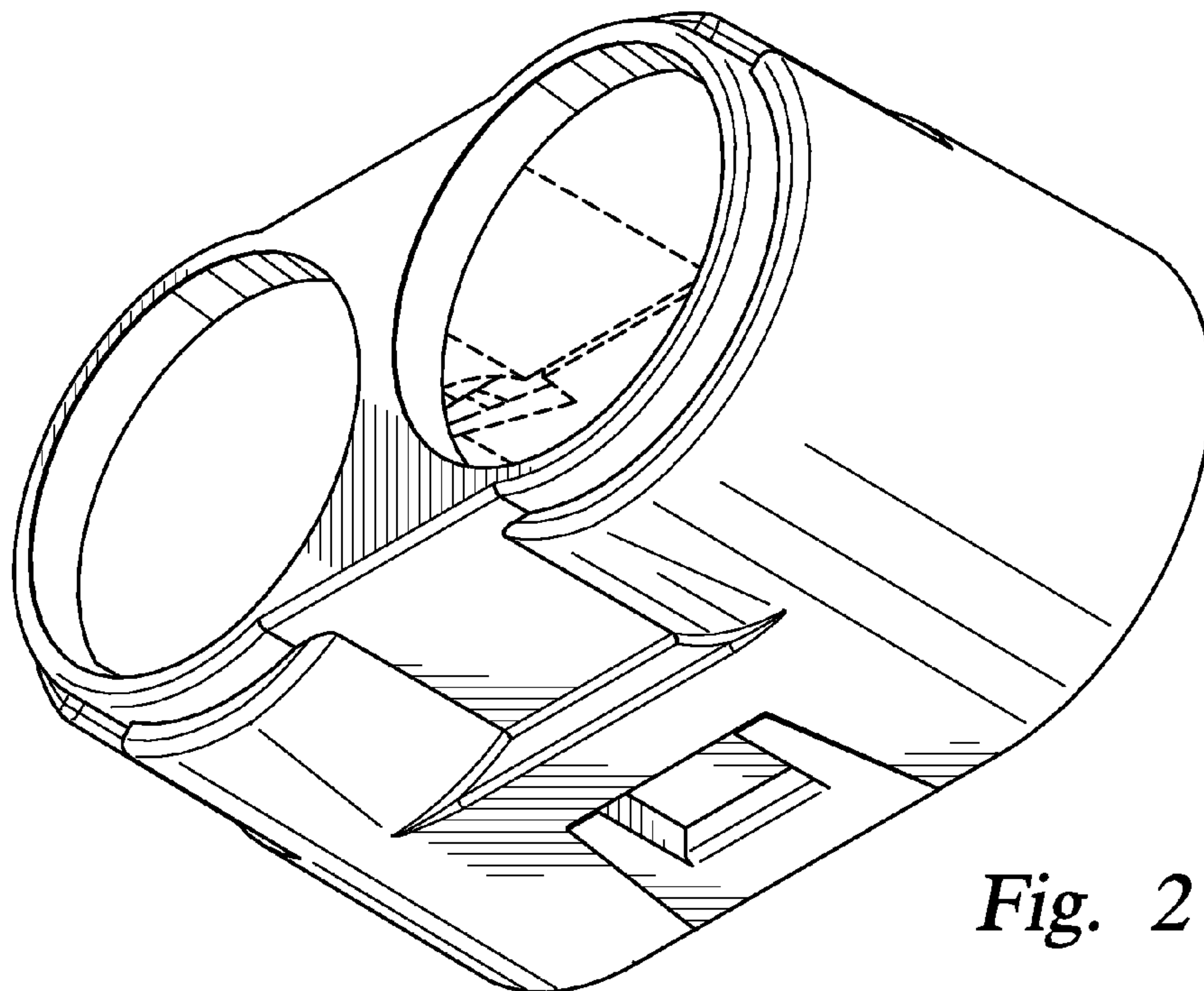


Fig. 2

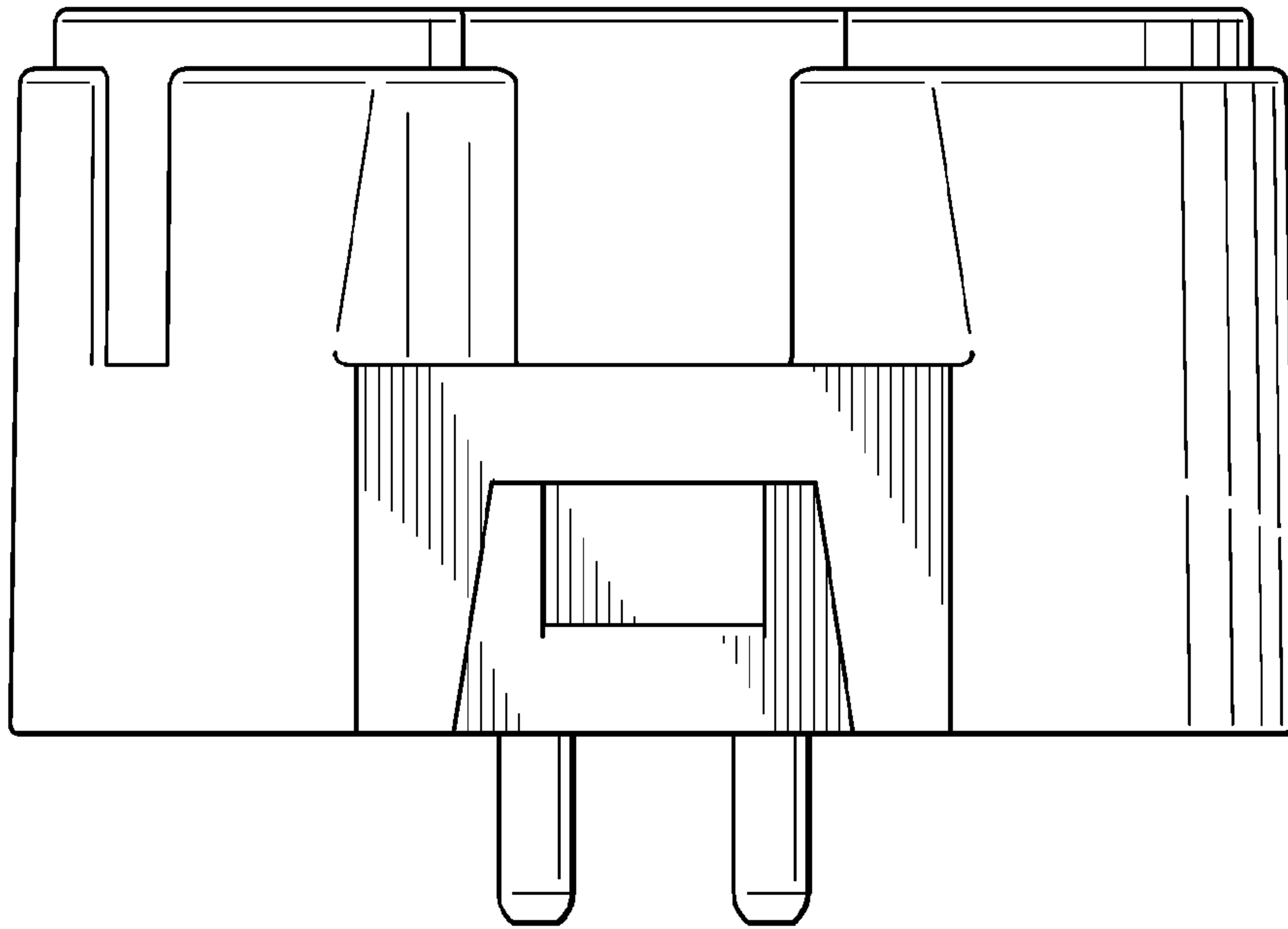


Fig. 3

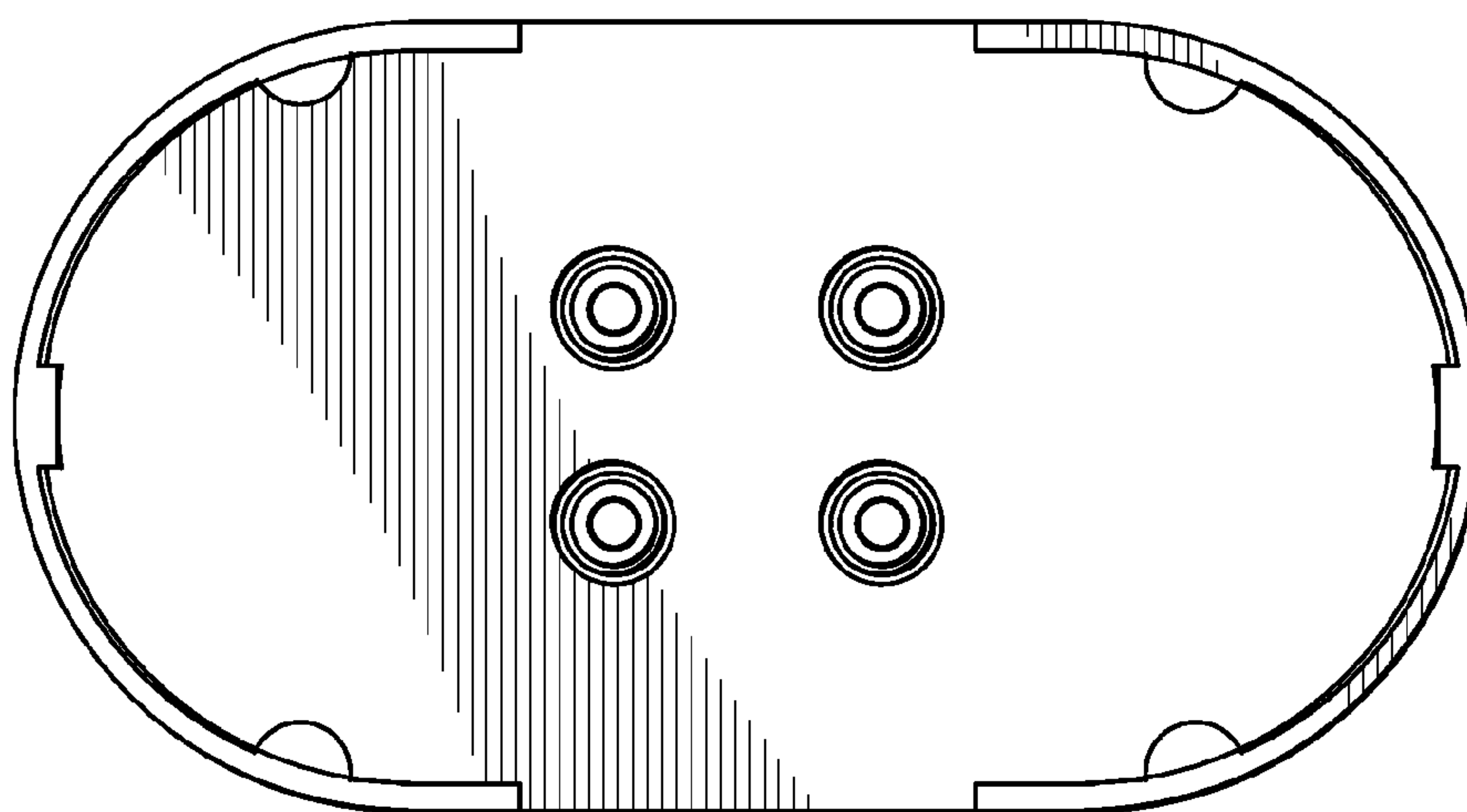


Fig. 4

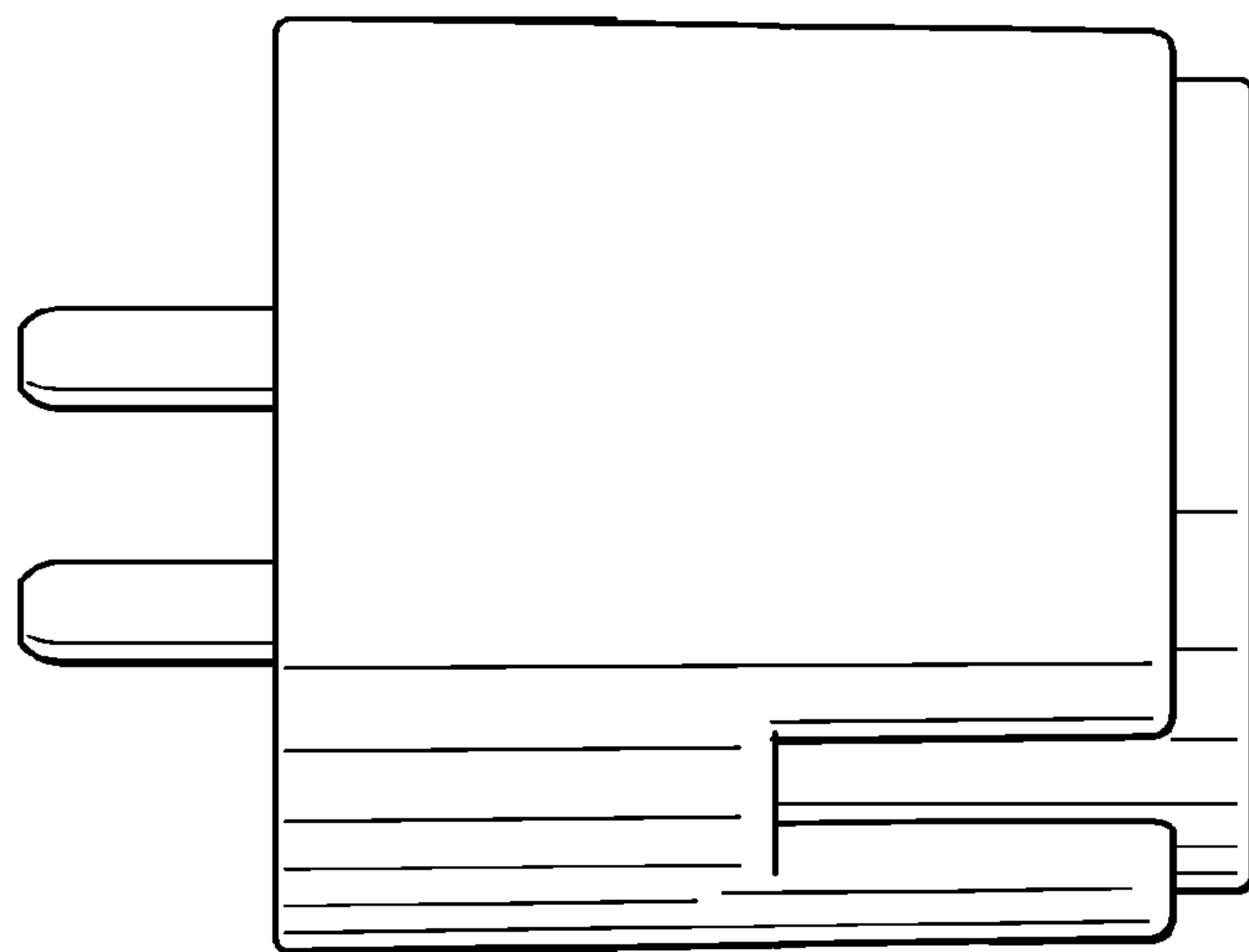


Fig. 5

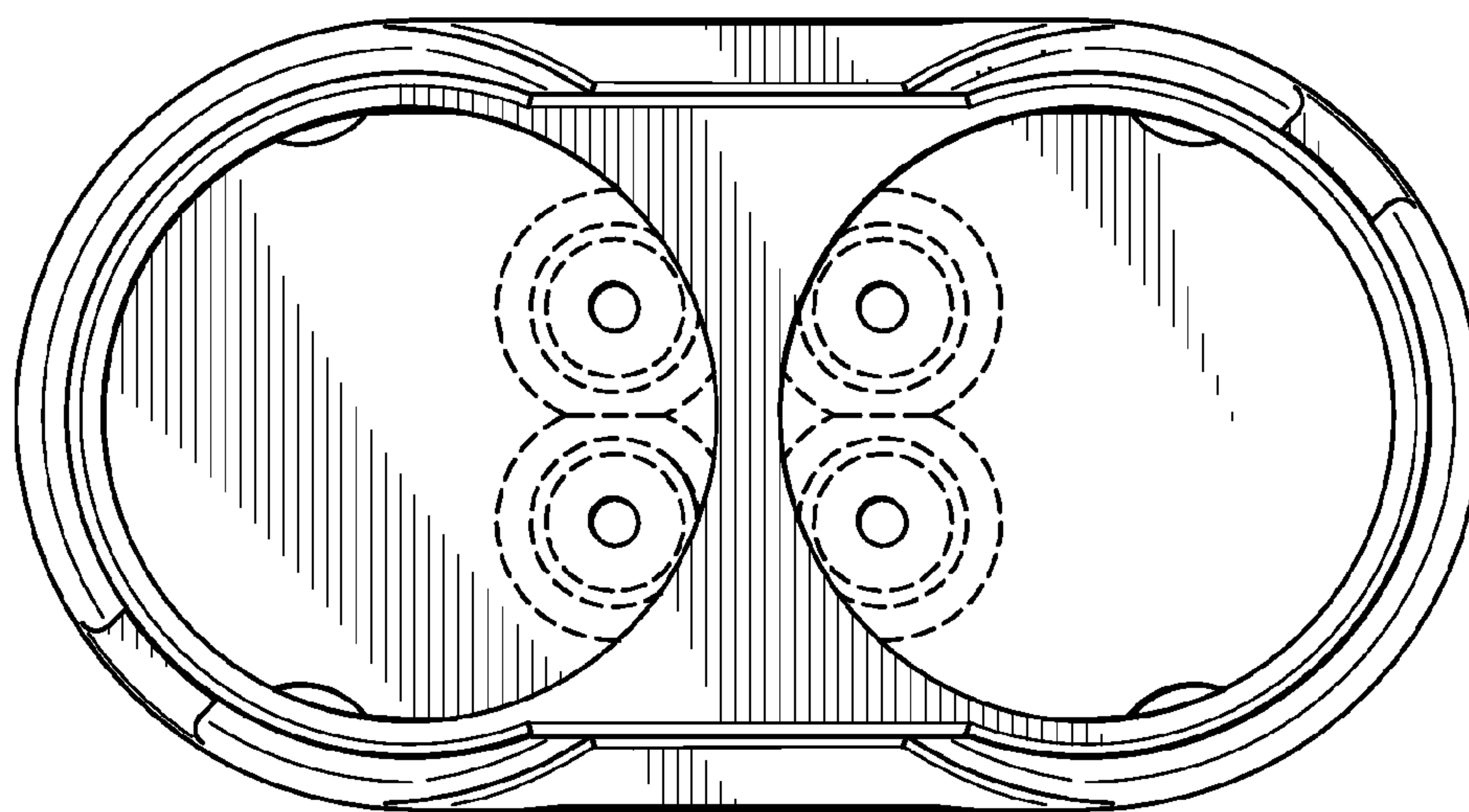


Fig. 6