



US00D617734S

(12) **United States Design Patent**
Yang

(10) **Patent No.:** **US D617,734 S**
(45) **Date of Patent:** **** Jun. 15, 2010**

(54) **BATTERY CONNECTOR**

(75) Inventor: **Chih-Lin Yang**, Tu-Cheng (TW)

(73) Assignee: **Cheng Uei Precision Industry Co., Ltd.**, Tu-Cheng, Taipei Hsien (TW)

(**) Term: **14 Years**

(21) Appl. No.: **29/346,978**

(22) Filed: **Nov. 10, 2009**

(51) **LOC (9) Cl.** **13-03**

(52) **U.S. Cl.** **D13/120; D13/147**

(58) **Field of Classification Search** D13/103–106,
D13/118–121, 133, 154, 146–147, 184, 199;
439/83, 108, 166, 500, 577, 630, 660, 680,
439/700, 773.1, 862; 429/96–100, 163, 186
See application file for complete search history.

(56) **References Cited**

U.S. PATENT DOCUMENTS

D245,185 S *	7/1977	Obuch	D13/147
D249,503 S *	9/1978	Spencer et al.	D13/147
D249,504 S *	9/1978	Spencer et al.	D13/147
5,551,883 A *	9/1996	Davis	439/65
5,674,078 A *	10/1997	Davis et al.	439/79
D419,522 S *	1/2000	Kamagai	D13/120
D433,383 S *	11/2000	Lee	D13/147
6,190,201 B1 *	2/2001	Shih et al.	439/567

D450,301 S *	11/2001	Shimizu et al.	D13/147
D472,879 S *	4/2003	Ouchi et al.	D13/147
D506,182 S *	6/2005	Tashiro	D13/147
D529,443 S *	10/2006	Chien	D13/147
D561,099 S *	2/2008	Kobayashi	D13/120
D561,100 S *	2/2008	Hsu et al.	D13/120
D584,231 S *	1/2009	Wu	D13/147
D596,130 S *	7/2009	Chen et al.	D13/147
D596,575 S *	7/2009	Chen et al.	D13/147

* cited by examiner

Primary Examiner—Rosemary K Tarcza

(74) *Attorney, Agent, or Firm*—Cheng-Ju Chiang

(57) **CLAIM**

The ornamental design for a battery connector, as shown and described.

DESCRIPTION

FIG. 1 is a perspective view of a battery connector showing my new design;

FIG. 2 is a front elevational view thereof;

FIG. 3 is a rear elevational view thereof;

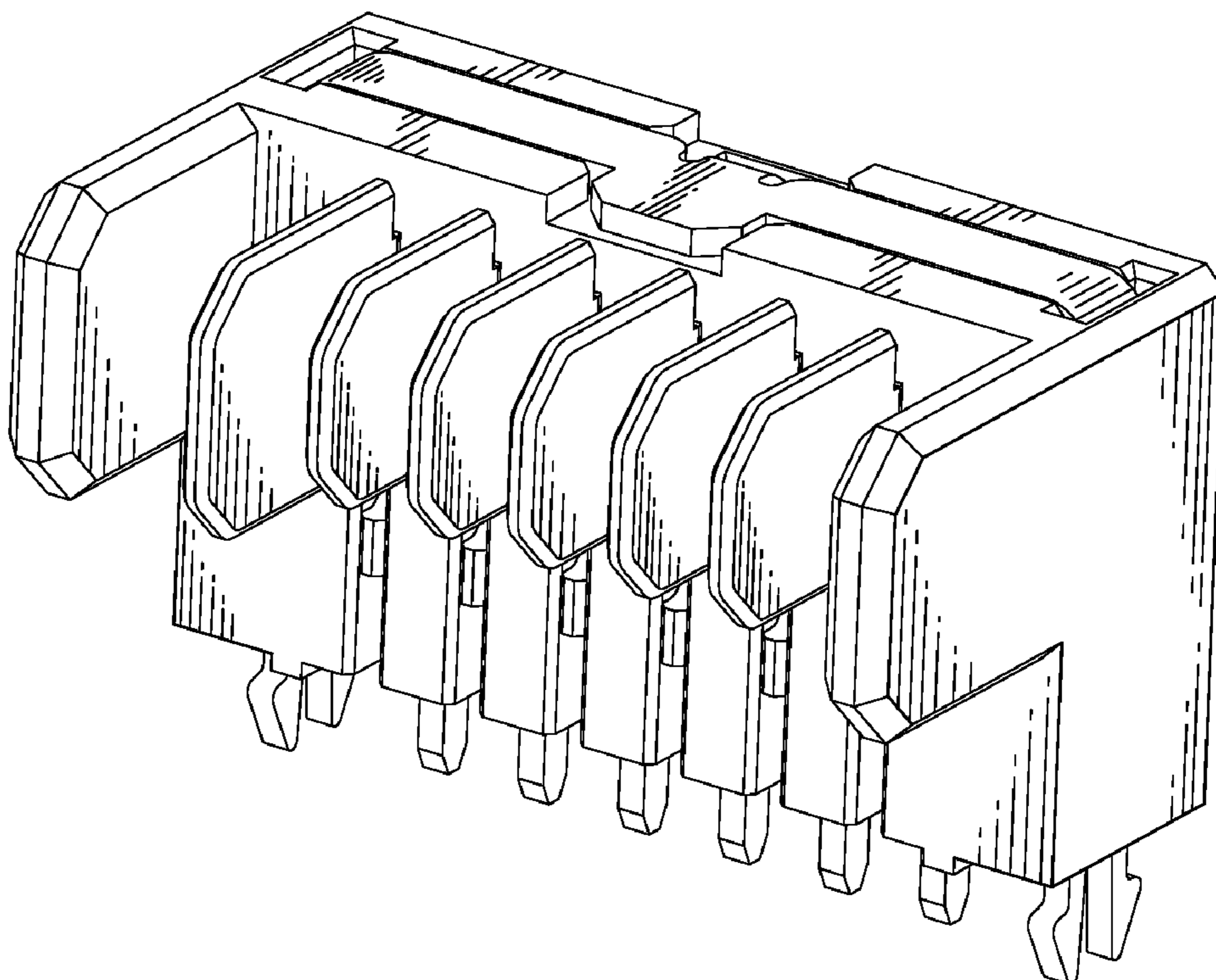
FIG. 4 is a left side elevational view thereof;

FIG. 5 is a right side elevational view thereof;

FIG. 6 is a top plan view thereof; and,

FIG. 7 is a bottom plan view thereof.

1 Claim, 7 Drawing Sheets



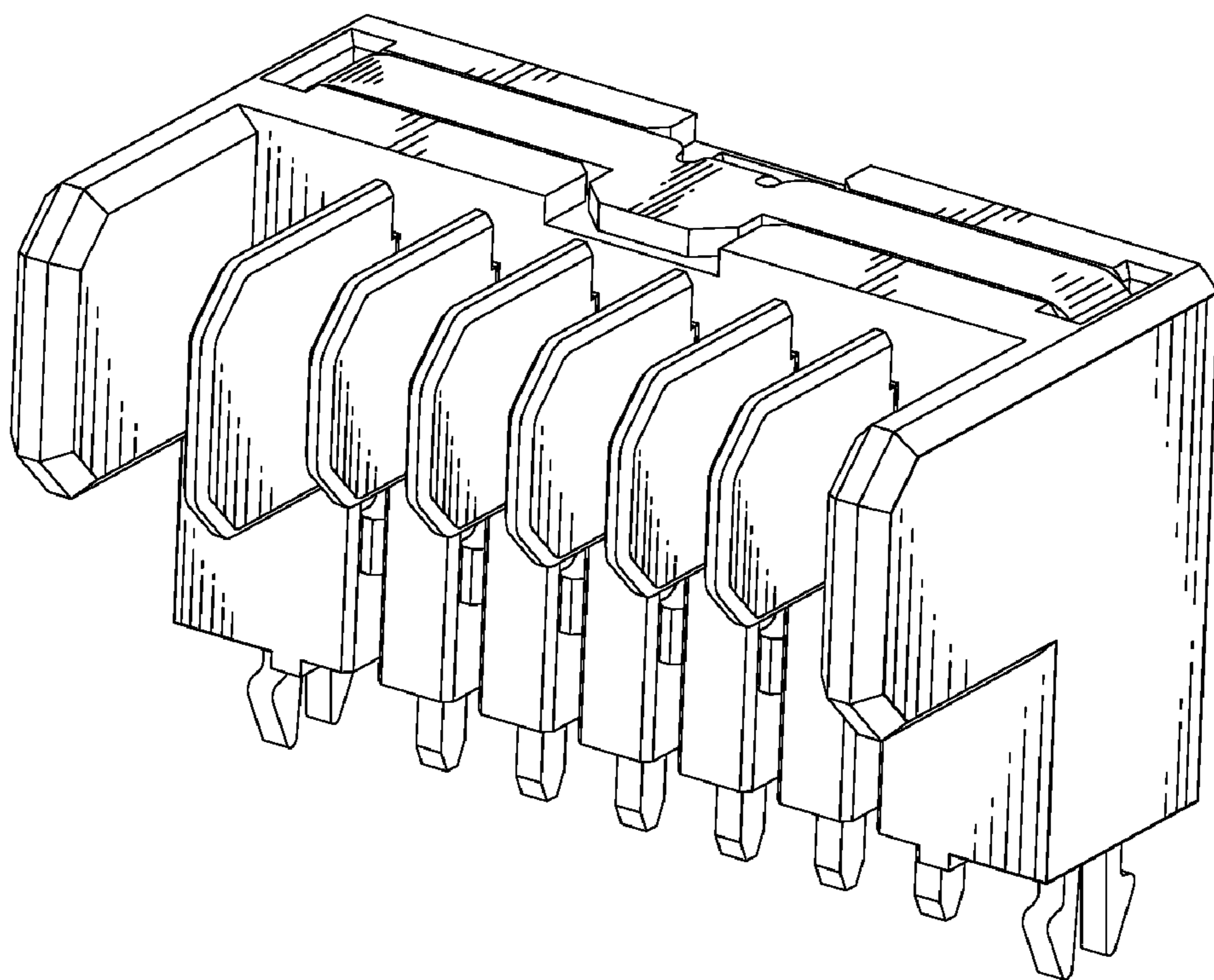


FIG. 1

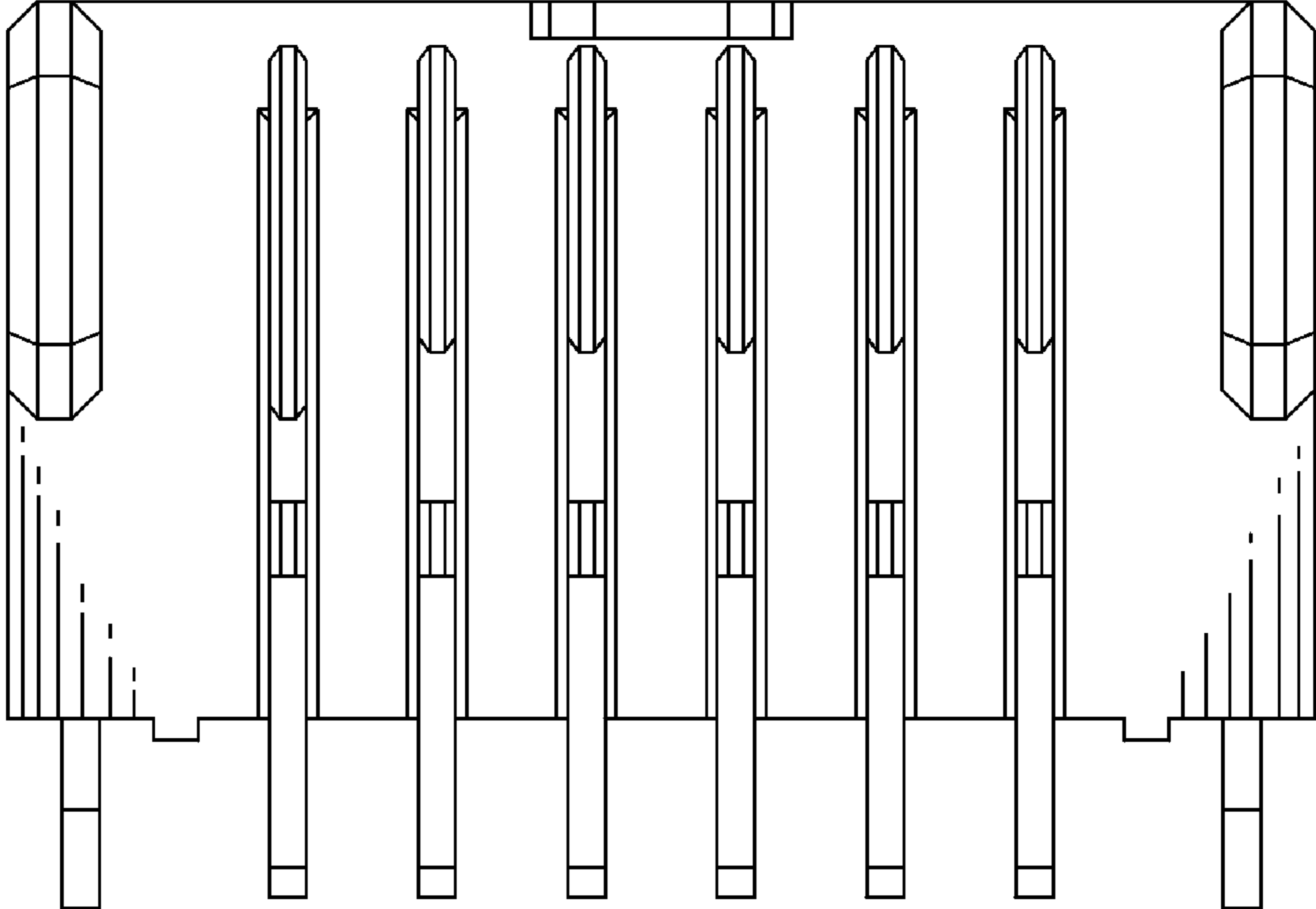


FIG. 2

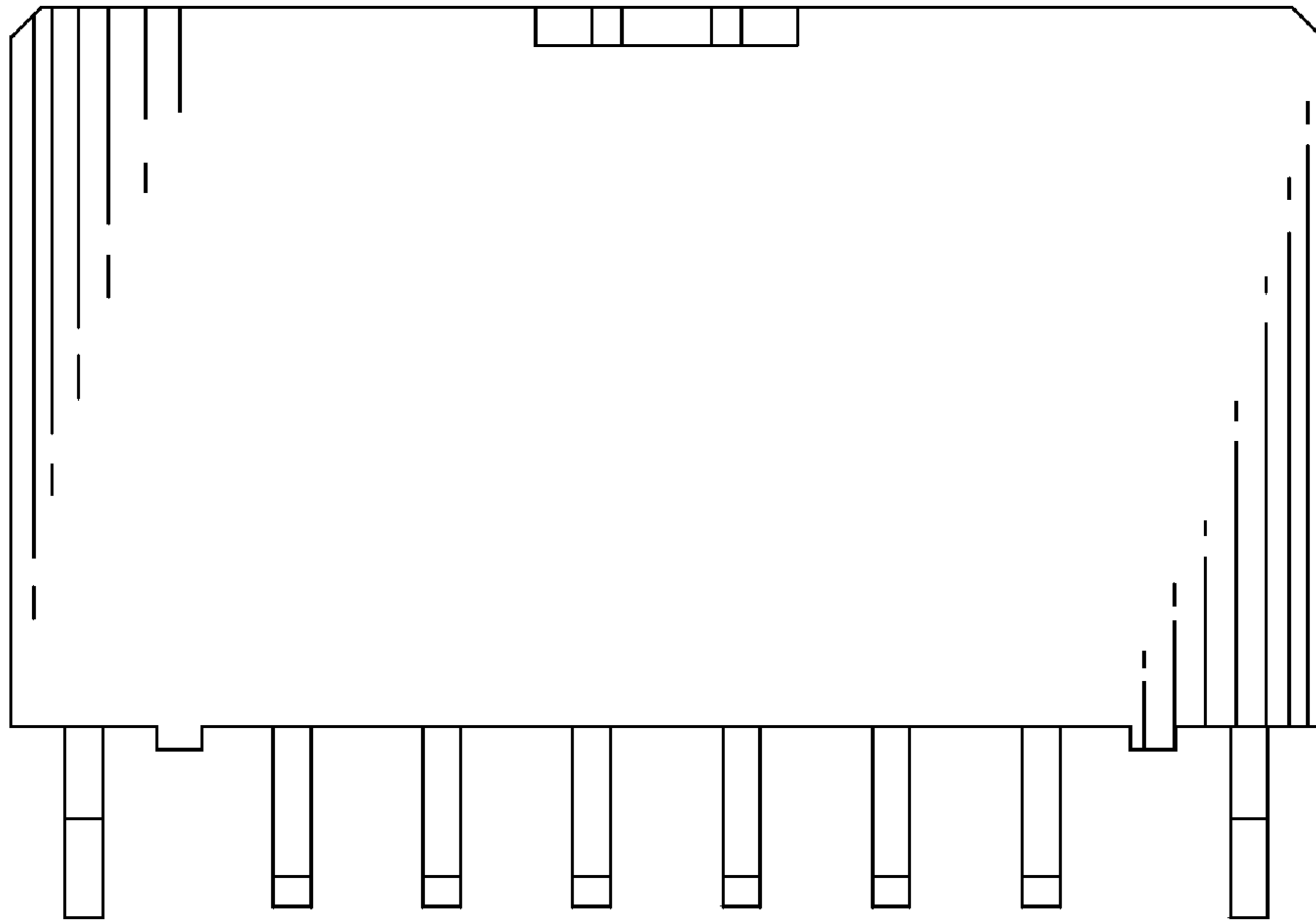


FIG. 3

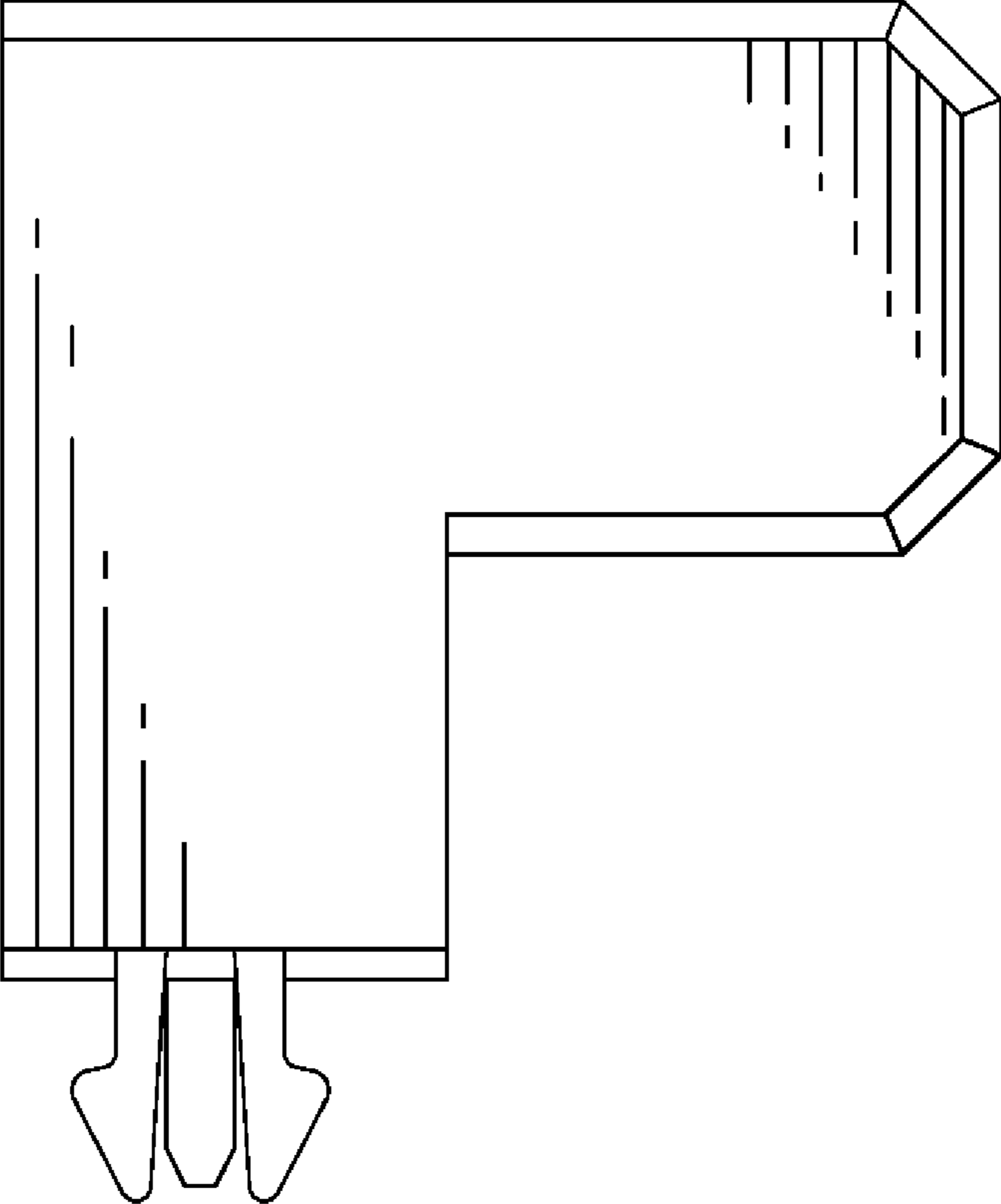


FIG. 4

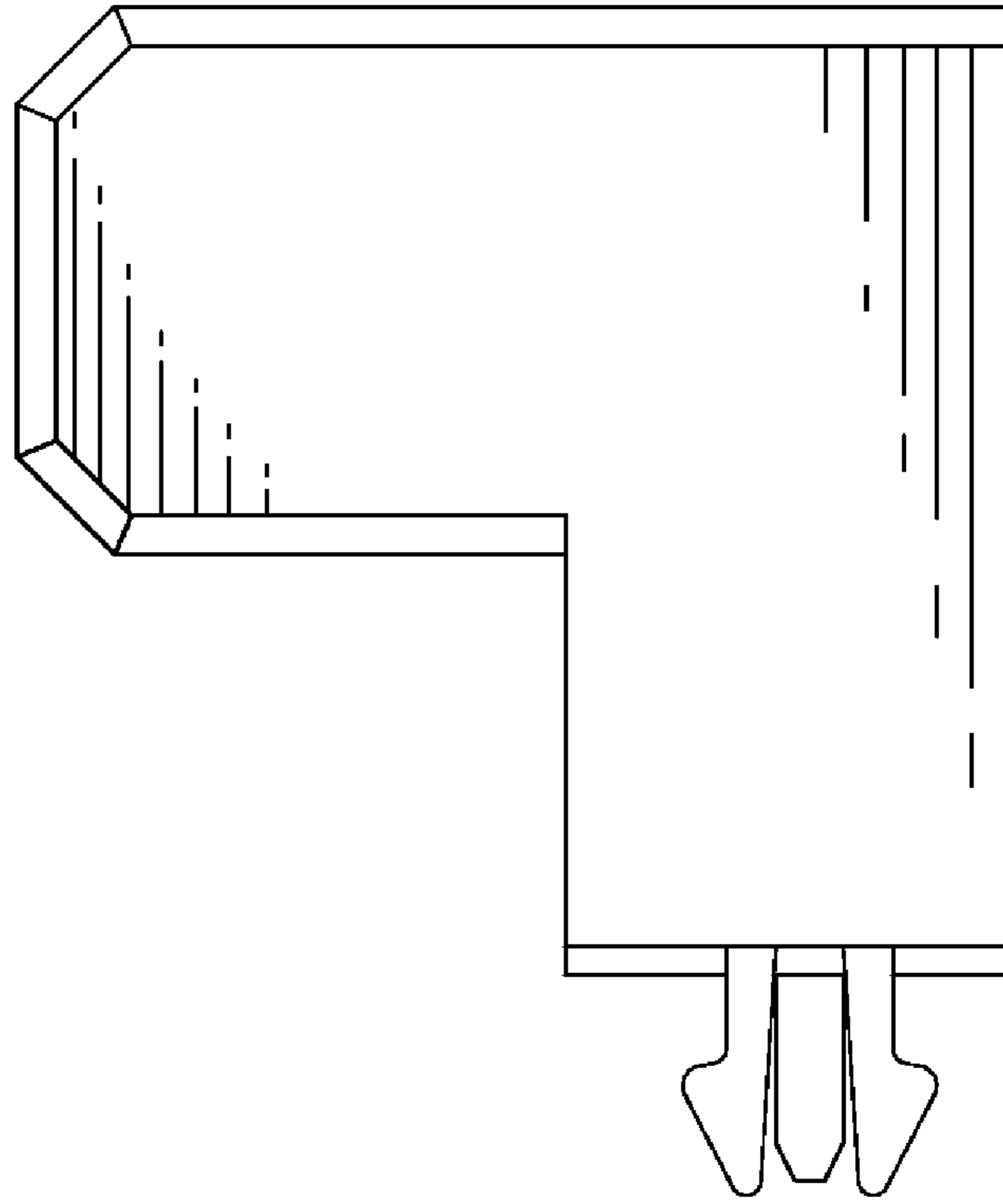


FIG. 5

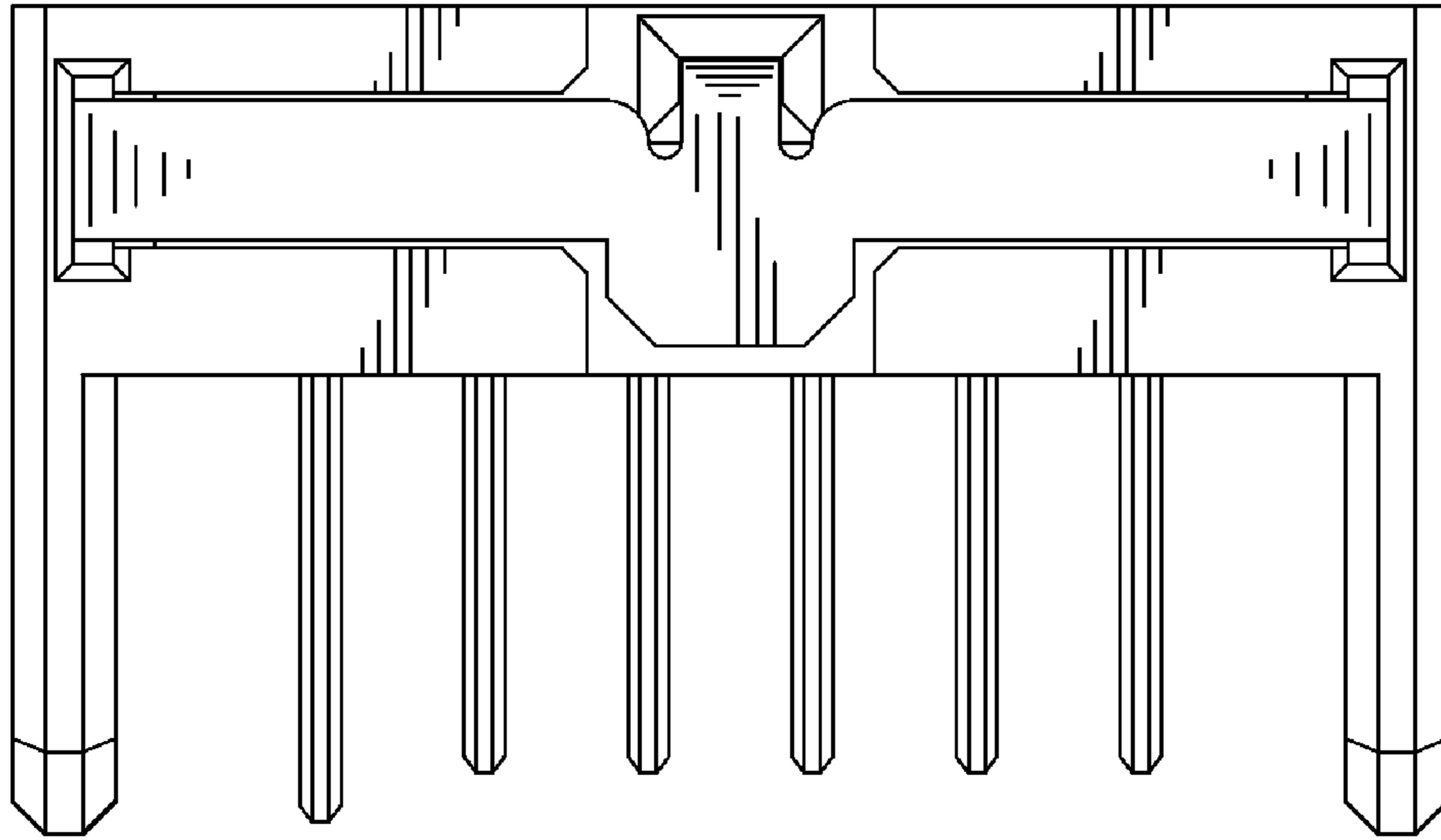


FIG. 6

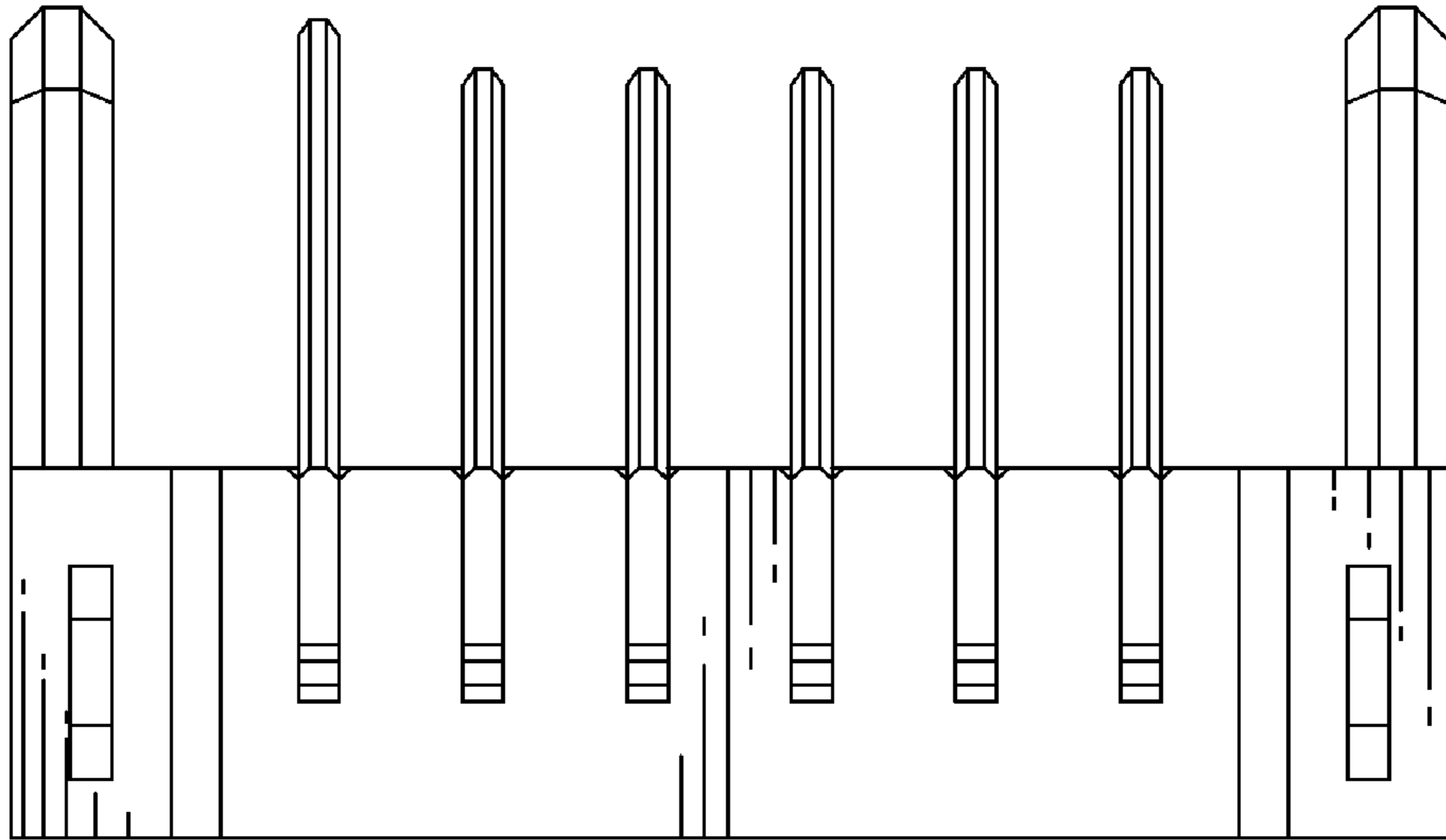


FIG. 7