



US00D617730S

(12) **United States Design Patent**  
**Mosiello**

(10) **Patent No.:** **US D617,730 S**  
(45) **Date of Patent:** **\*\* Jun. 15, 2010**

(54) **CHARGER DEVICE WITH CLAMP**

(76) Inventor: **John Mosiello**, 3228 Roxbury La.,  
Leviton, NY (US) 11756

(\*\*) Term: **14 Years**

(21) Appl. No.: **29/332,870**

(22) Filed: **Feb. 26, 2009**

(51) **LOC (9) Cl.** ..... **13-02**

(52) **U.S. Cl.** ..... **D13/108**

(58) **Field of Classification Search** ..... D13/102,  
D13/107-110, 118-119, 184; D14/251,  
D14/253, 432, 434; 320/107-115

See application file for complete search history.

(56) **References Cited**

**U.S. PATENT DOCUMENTS**

D221,824 S *	9/1971	Cook	.....	D4/199
D221,825 S *	9/1971	Cook	.....	D4/199
D259,954 S *	7/1981	Reichl	.....	D24/110
D433,992 S *	11/2000	Luecke	.....	D13/108
D490,434 S *	5/2004	Meyer et al.	.....	D14/432
D539,734 S *	4/2007	Brady et al.	.....	D13/110

\* cited by examiner

*Primary Examiner*—Jennifer Rivard  
*Assistant Examiner*—Rosemary K Tarcza

(57) **CLAIM**

The ornamental design for a charger device with clamp, as shown and described.

**DESCRIPTION**

FIG. 1 is a perspective view of a charger device with clamp, showing my new design;

FIG. 2 is a front view thereof;

FIG. 3 is a back view thereof;

FIG. 4 is a side view thereof;

FIG. 5 is an opposite side view thereof;

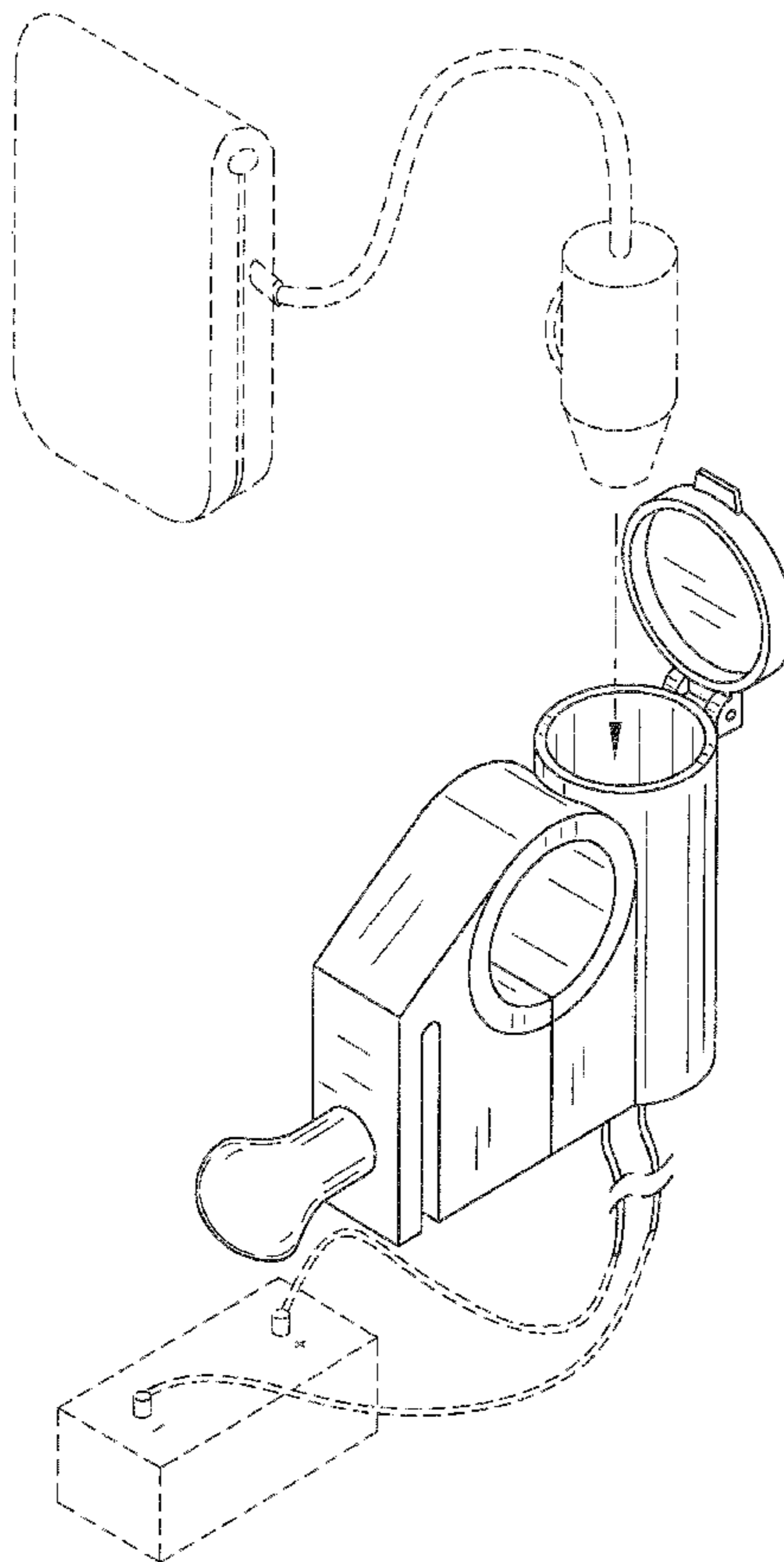
FIG. 6 is a top view thereof; and,

FIG. 7 is a bottom view thereof.

In FIG. 1, the broken lines showing of environmental structure for purposes of illustrating the charger device with clamp in a condition of use. The broken lines and the structure they depict form no part of the claimed design.

The drafting break lines shown on the cords in FIGS. 1-5 represent that the cords are of an unspecified length.

**1 Claim, 5 Drawing Sheets**



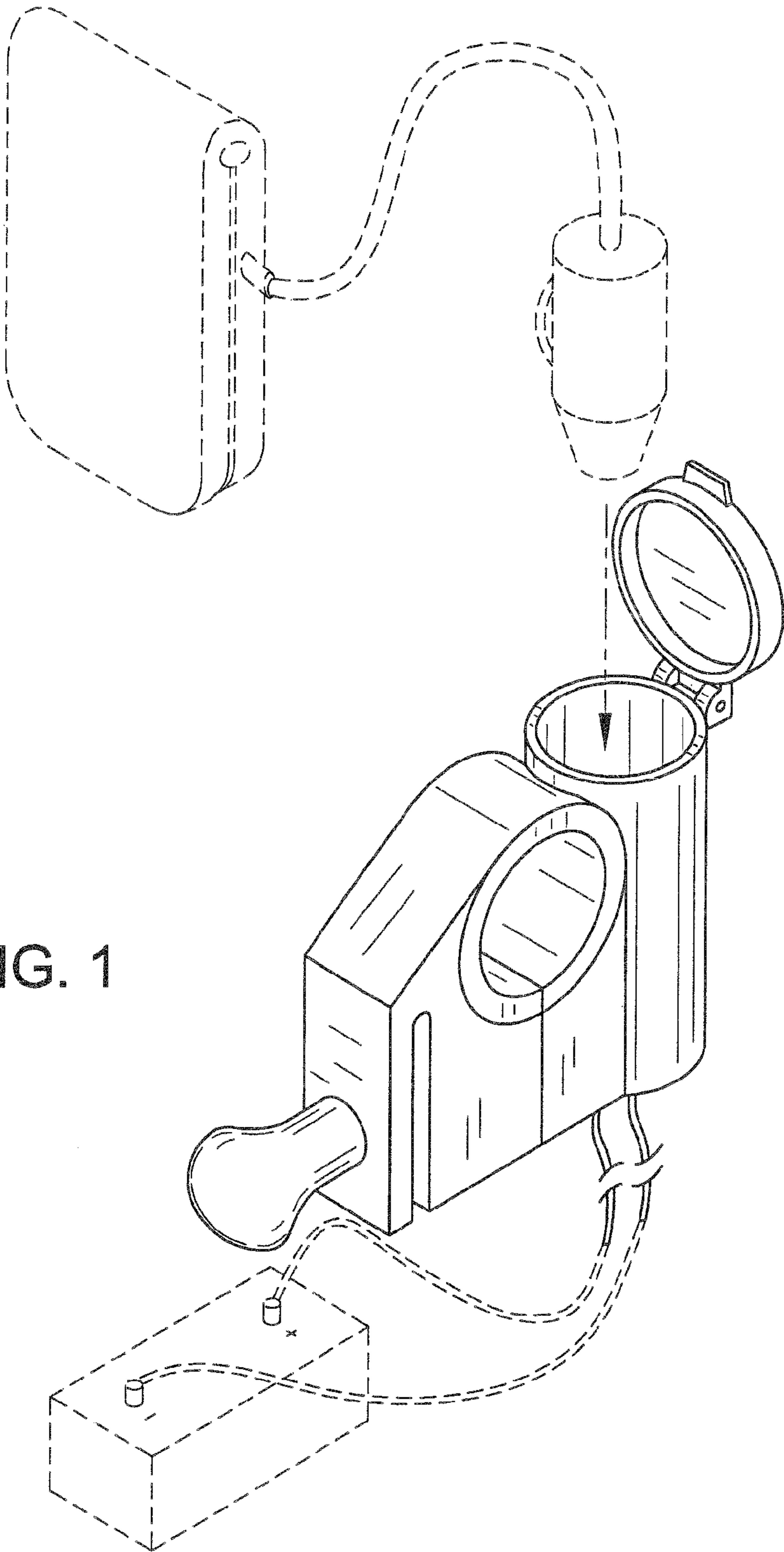


FIG. 1

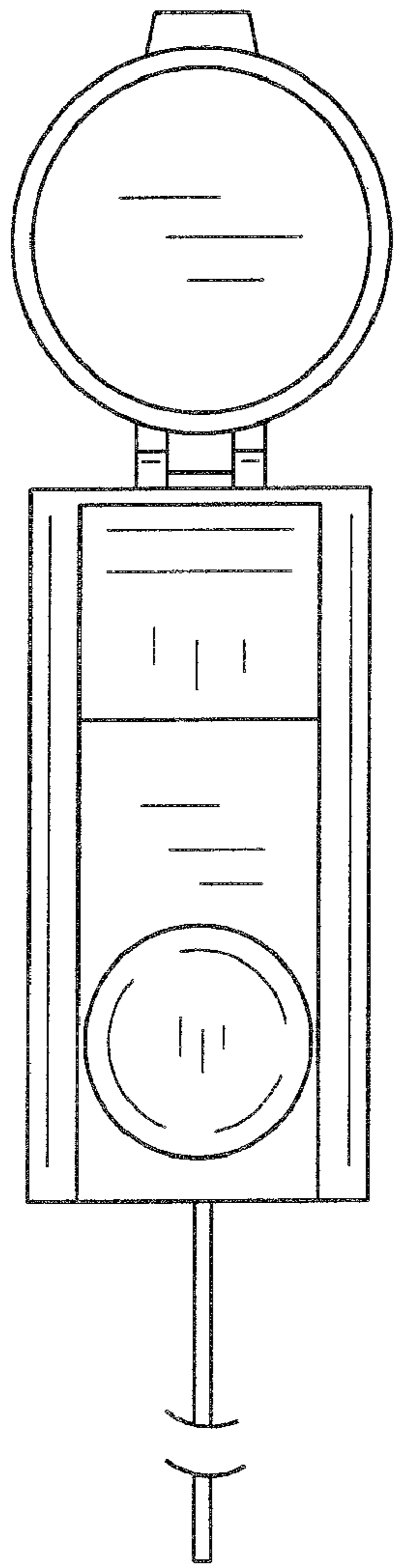


FIG. 2

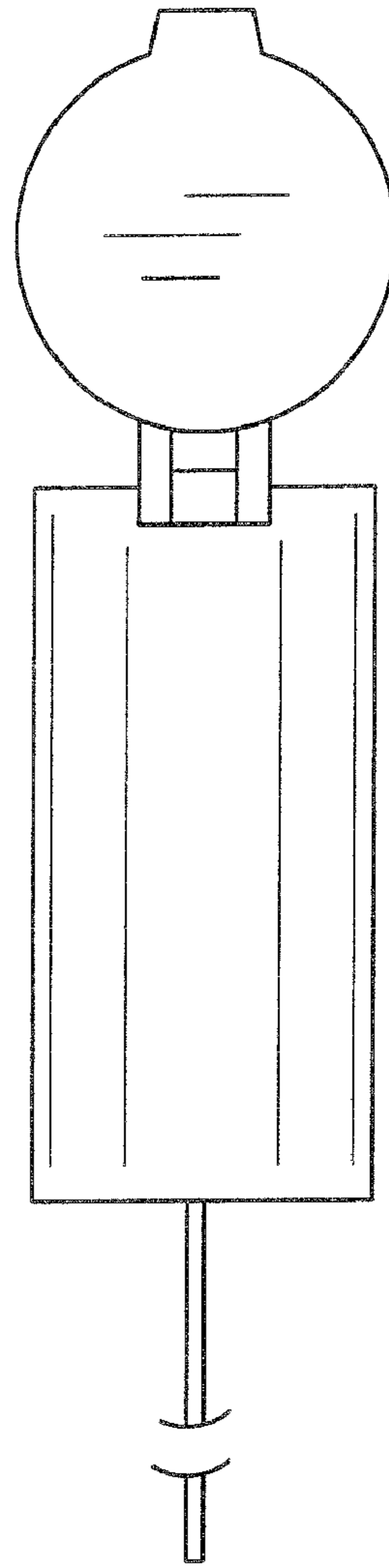


FIG. 3

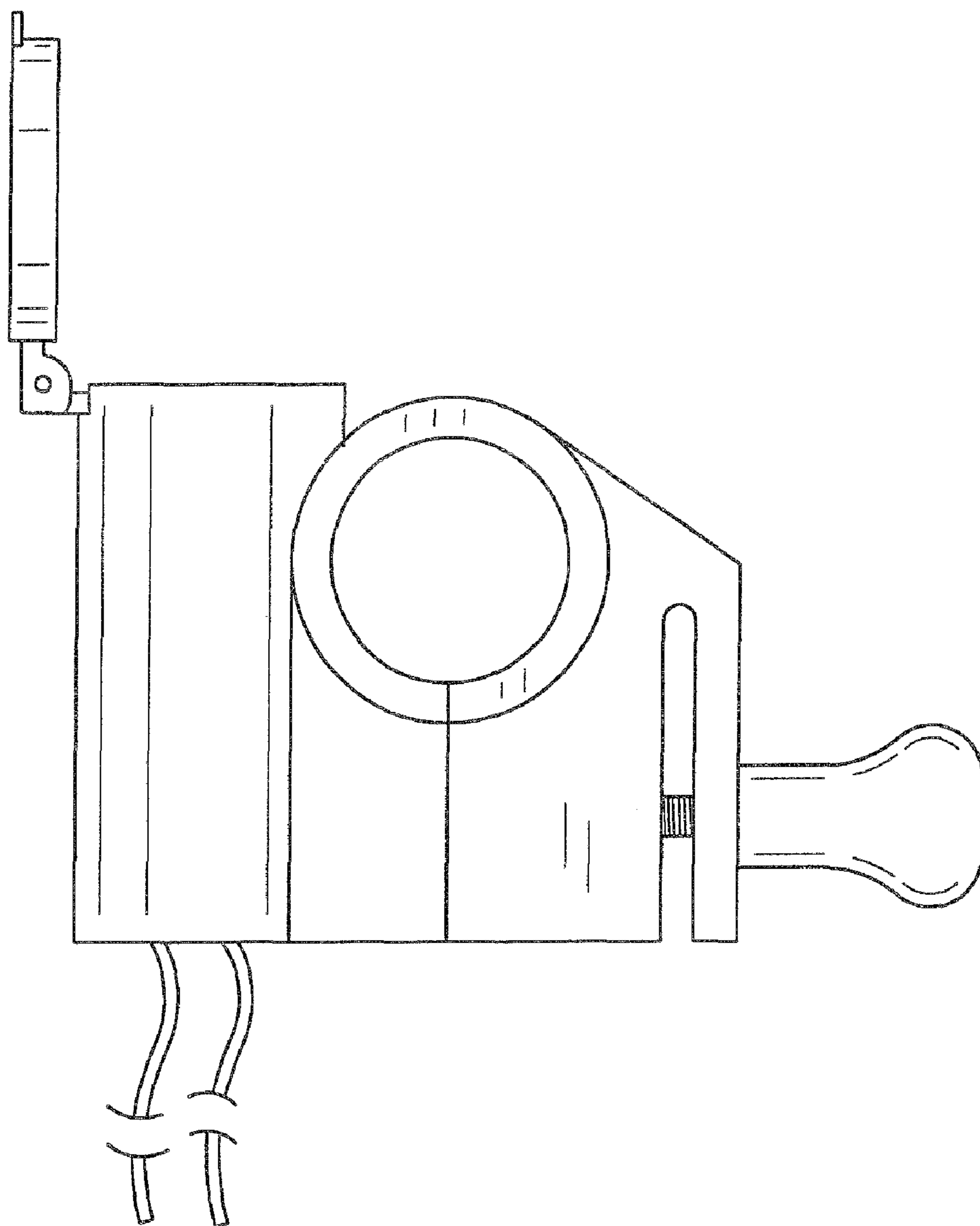


FIG. 4

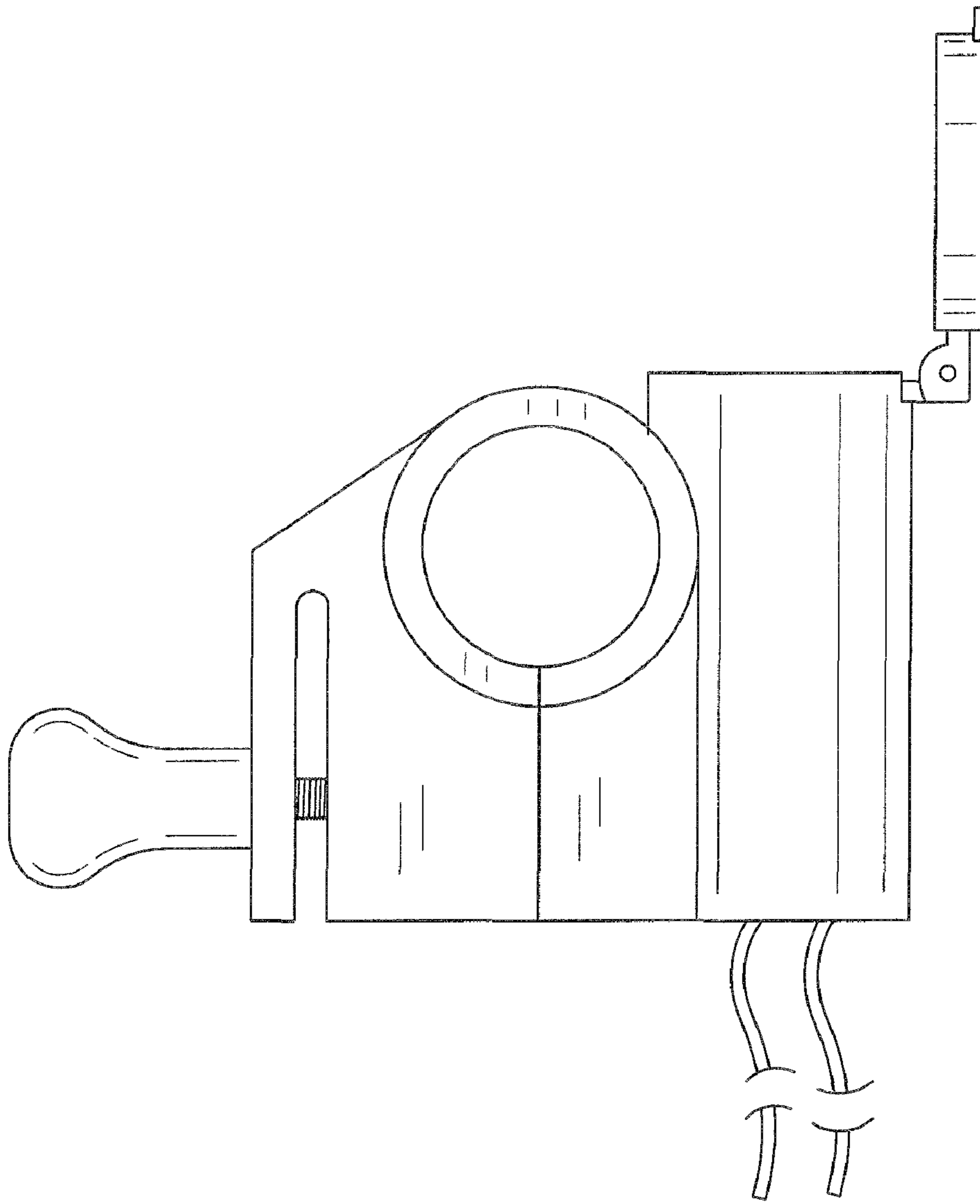


FIG. 5

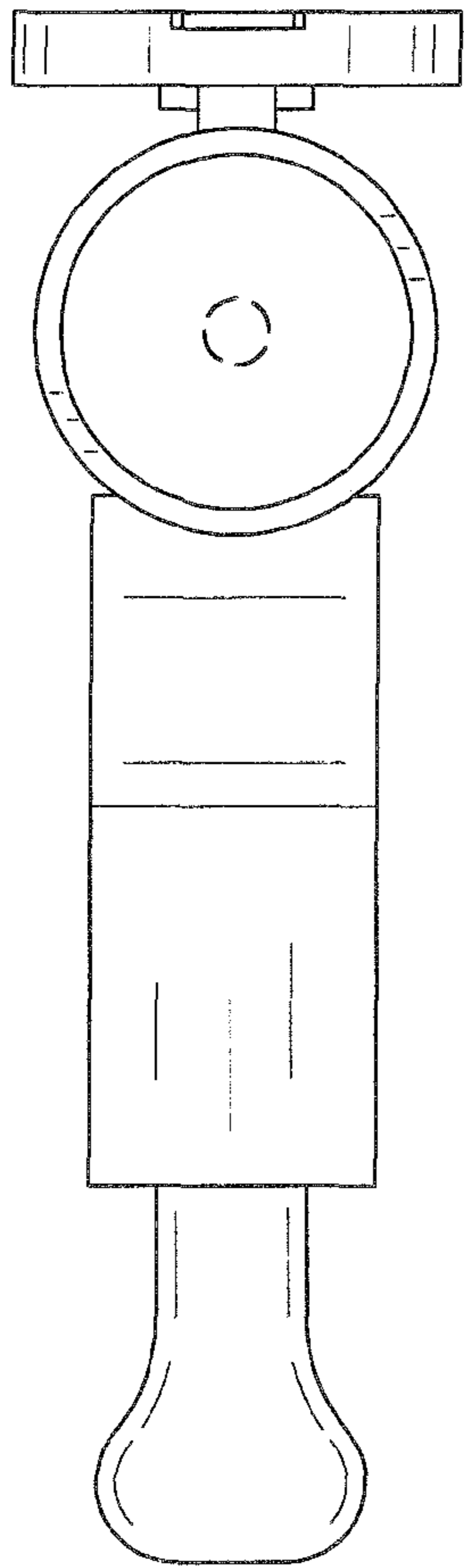


FIG. 6

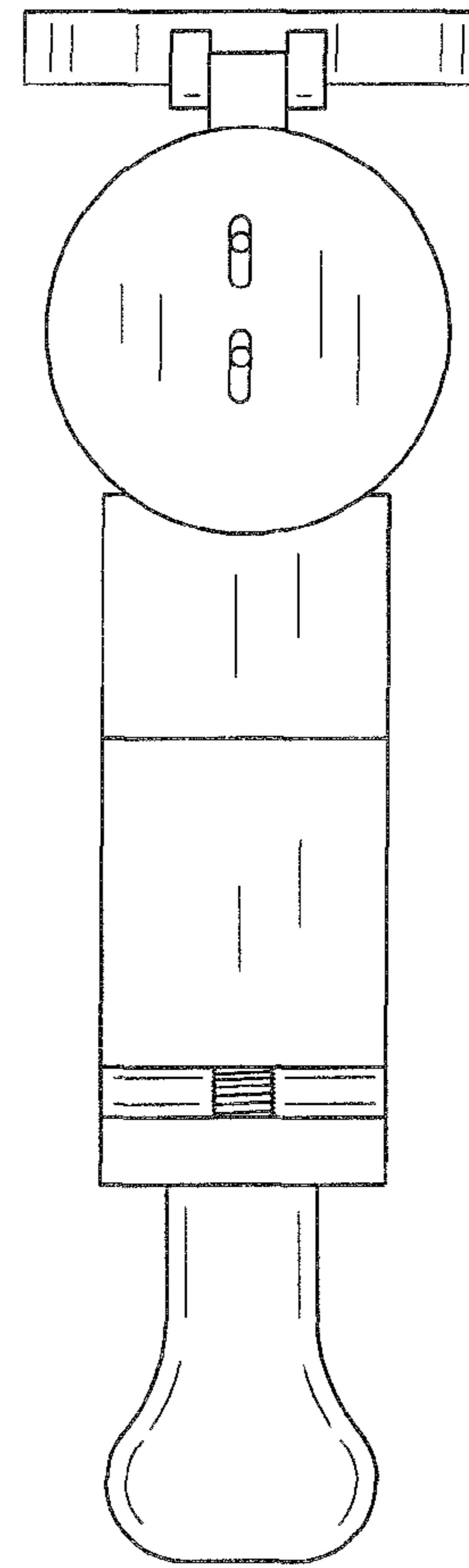


FIG. 7