



US00D617726S

(12) **United States Design Patent**
Portillo et al.

(10) **Patent No.:** **US D617,726 S**
(45) **Date of Patent:** **** Jun. 15, 2010**

(54) **TRUCKERS TABLE**

(76) Inventors: **Danny Portillo**, 1445 Sierra De Oro, El Paso, TX (US) 79936; **Armando A. Rojas**, 11559 Plautus Ct., El Paso, TX (US) 79936

(**) Term: **14 Years**

(21) Appl. No.: **29/316,071**

(22) Filed: **Aug. 21, 2009**

(51) **LOC (9) Cl.** **12-16**

(52) **U.S. Cl.** **D12/400**

(58) **Field of Classification Search** D12/400,
D12/401, 404, 406, 412, 414, 222, 223, 86,
D12/93, 101; 224/923, 924; 211/100, 124,
211/2, 4, 85.7; D6/552

See application file for complete search history.

(56) **References Cited**

U.S. PATENT DOCUMENTS

3,592,144 A 7/1971 Futrell
3,899,992 A 8/1975 Fuller
3,985,374 A 10/1976 Powaska
4,830,243 A * 5/1989 Mann 224/407
4,852,499 A * 8/1989 Ozols 108/44

4,909,159 A 3/1990 Gonsoulin
5,106,003 A 4/1992 Ma
5,170,720 A 12/1992 Scheurer
D415,995 S * 11/1999 Kanehl, Jr. D12/419
D439,559 S * 3/2001 Caro D12/400
D445,395 S * 7/2001 Okerlund et al. D12/400
6,293,206 B1 * 9/2001 Simon et al. 108/46
D477,268 S * 7/2003 Baynes D12/223
D481,350 S * 10/2003 McCoy et al. D12/400
7,150,433 B2 * 12/2006 Healy et al. 244/118.5
2010/0065701 A1 * 3/2010 Fletcher 248/229.1

* cited by examiner

Primary Examiner—Caron Veynar

Assistant Examiner—Katrina A Kile

(74) *Attorney, Agent, or Firm*—Paul R. Martin

(57) **CLAIM**

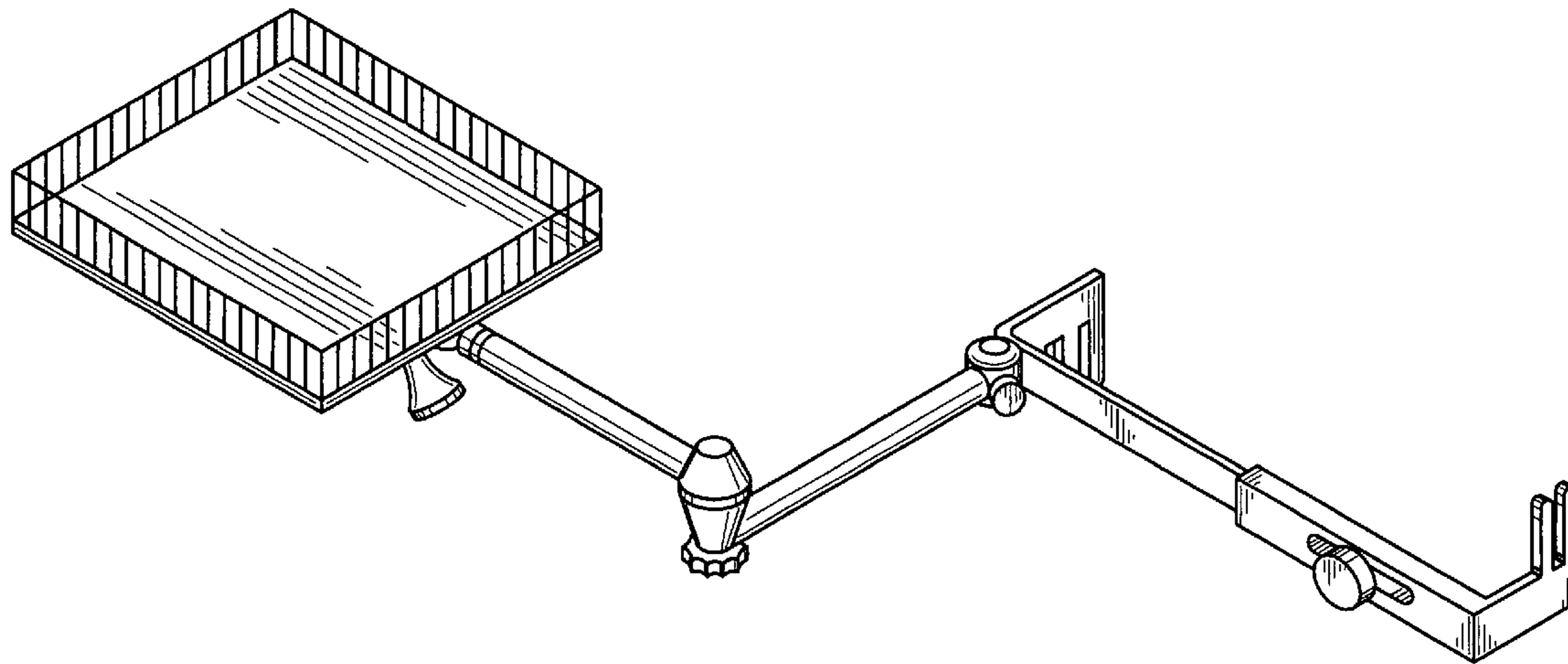
The ornamental design for a truckers table, as shown and described.

DESCRIPTION

FIG. 1 is a perspective view from above of the truckers table of this invention; and,

FIG. 2 is a perspective view from below of the truckers table of this invention.

1 Claim, 2 Drawing Sheets



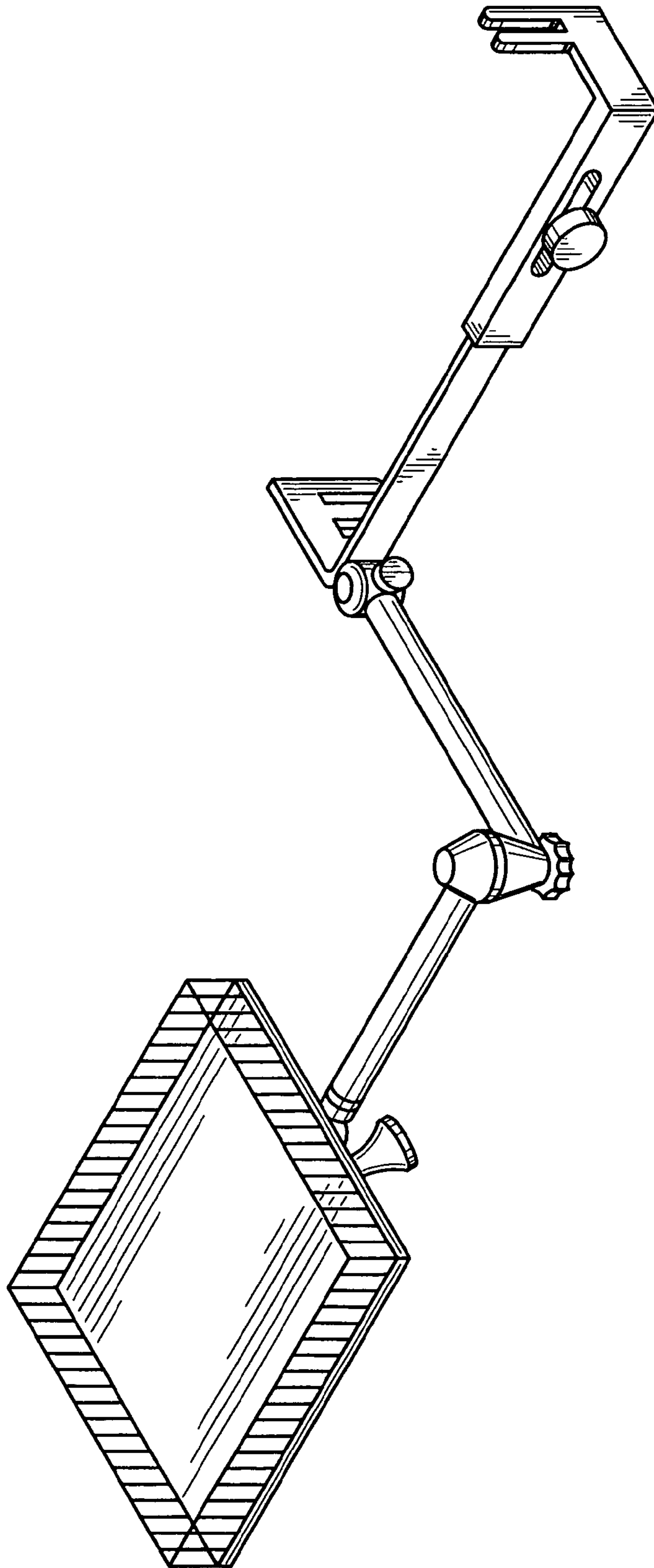


FIG. 1

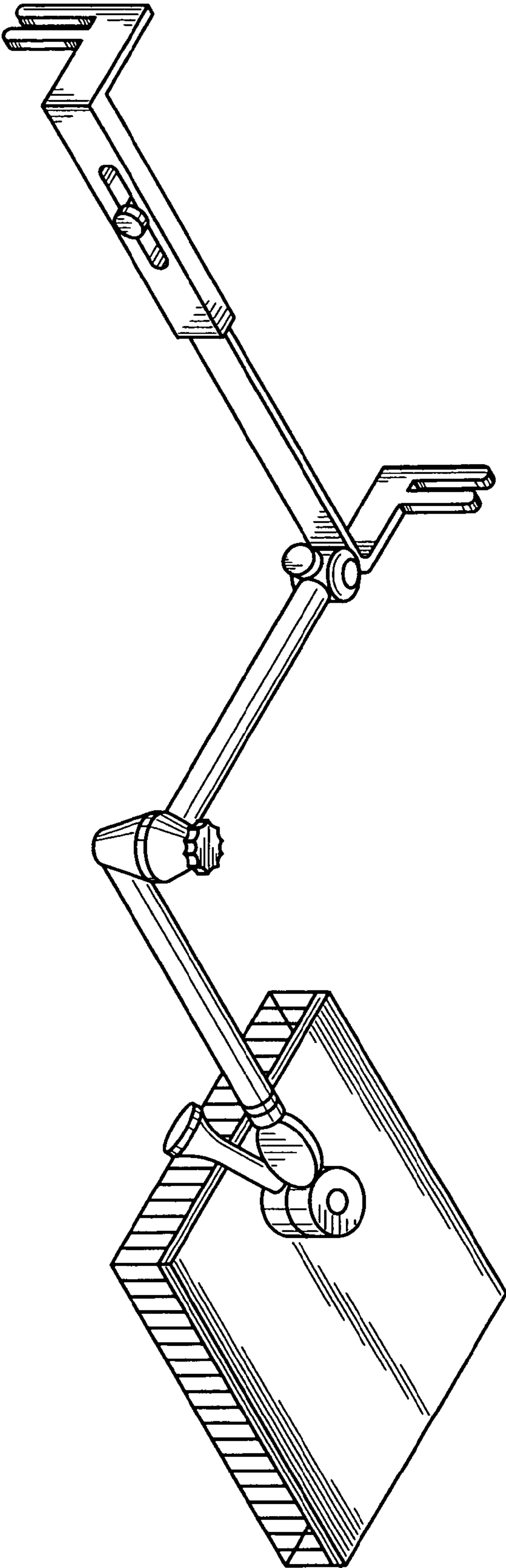


FIG. 2