



US00D617723S

(12) **United States Design Patent**
Zhao

(10) **Patent No.:** **US D617,723 S**
(45) **Date of Patent:** **** Jun. 15, 2010**

(54) **FRONT FACE OF A VEHICLE WHEEL**

(76) Inventor: **John Zhao**, 283 E. Garvey Ave.,
Monterey Park, CA (US) 91755

(**) Term: **14 Years**

(21) Appl. No.: **29/353,659**

(22) Filed: **Jan. 12, 2010**

(51) **LOC (9) Cl.** **12-16**

(52) **U.S. Cl.** **D12/211**

(58) **Field of Classification Search** D12/204-213;
301/37.101, 64.101, 65, 64.201
See application file for complete search history.

(56) **References Cited**

U.S. PATENT DOCUMENTS

D409,132 S *	5/1999	Cullen	D12/211
D451,877 S *	12/2001	Lee	D12/211
D463,769 S *	10/2002	Chung	D12/211
D506,172 S *	6/2005	Pfeiffer	D12/211
D516,988 S *	3/2006	Laengerer	D12/211
D524,217 S *	7/2006	Aoki	D12/211
D528,495 S *	9/2006	Truebsbach	D12/211

D537,767 S *	3/2007	Pfeiffer	D12/211
D546,263 S *	7/2007	Hernandez	D12/211
D580,336 S *	11/2008	Chung	D12/211
D597,014 S *	7/2009	Nissl	D12/211
D604,685 S *	11/2009	Zhou et al.	D12/211
D606,922 S *	12/2009	Thorsten	D12/211

* cited by examiner

Primary Examiner—Stacia Cadmus

(74) *Attorney, Agent, or Firm*—Procopio, Cory, Hargreaves & Savitch LLP

(57) **CLAIM**

The ornamental design for a front face of a vehicle wheel, as shown and described.

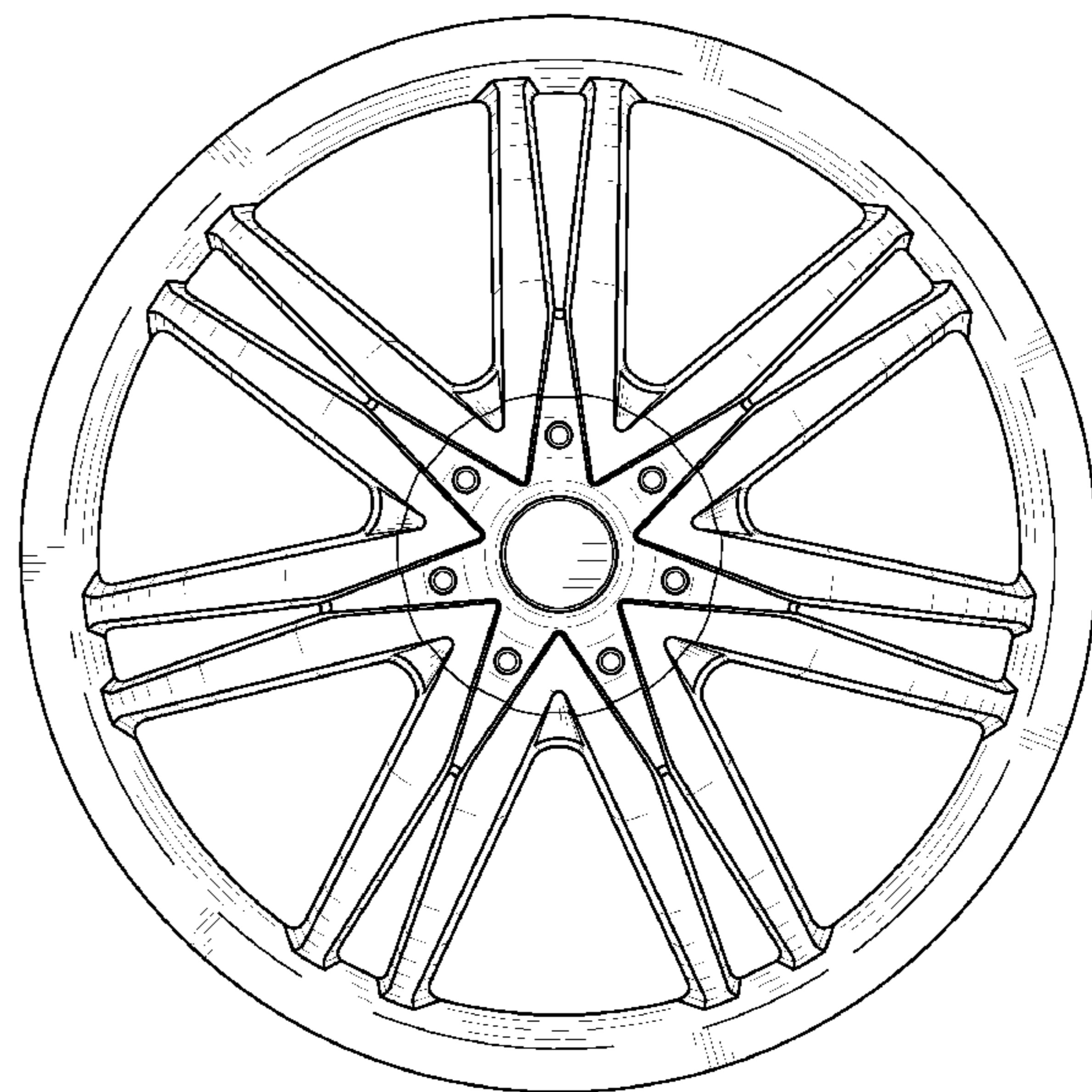
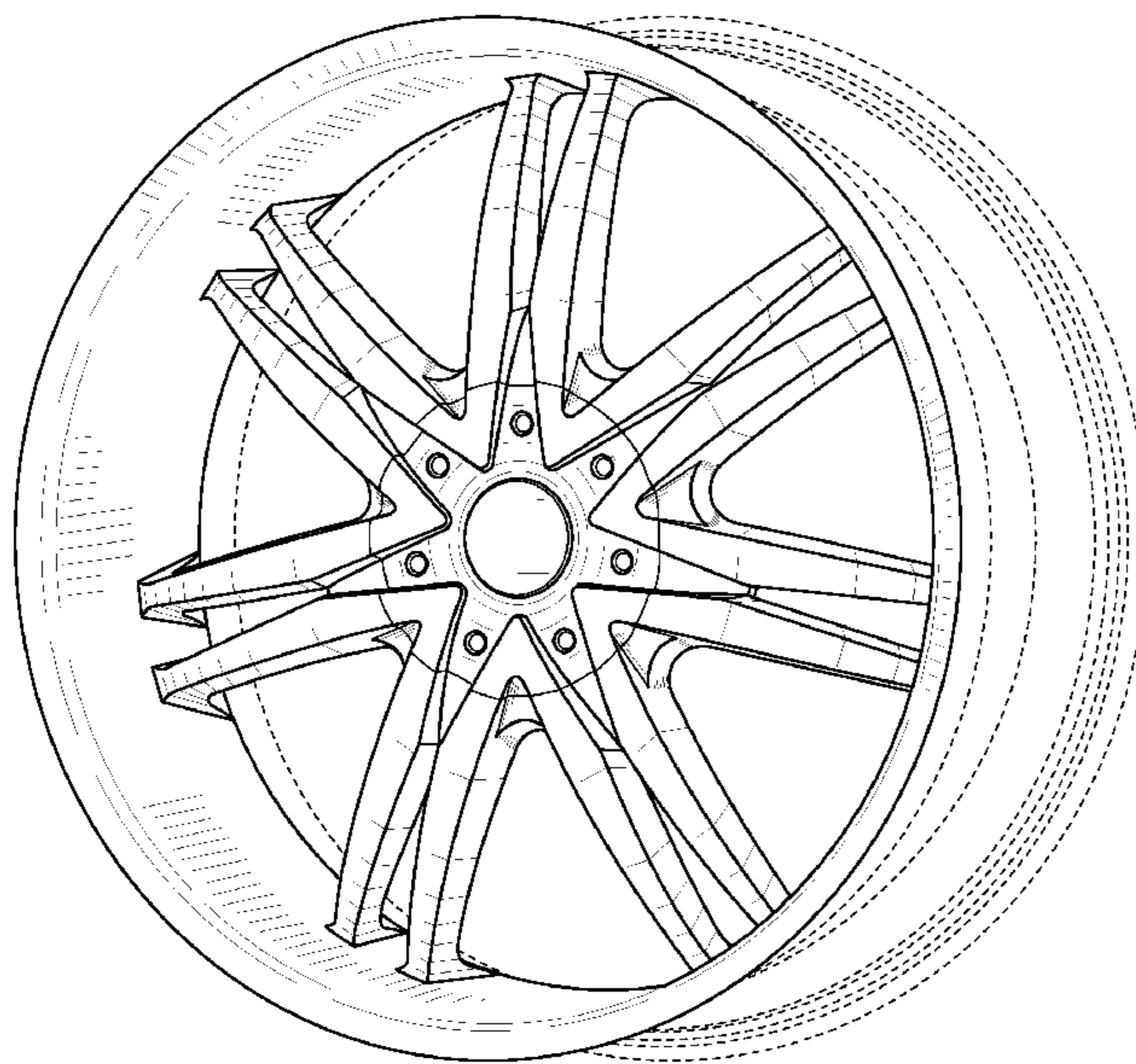
DESCRIPTION

FIG. 1 is a perspective view of a front face of a vehicle wheel embodying my new design; and,

FIG. 2 is a front view thereof.

The broken lines are for illustrative purposes only and form no part of the claimed design.

1 Claim, 2 Drawing Sheets



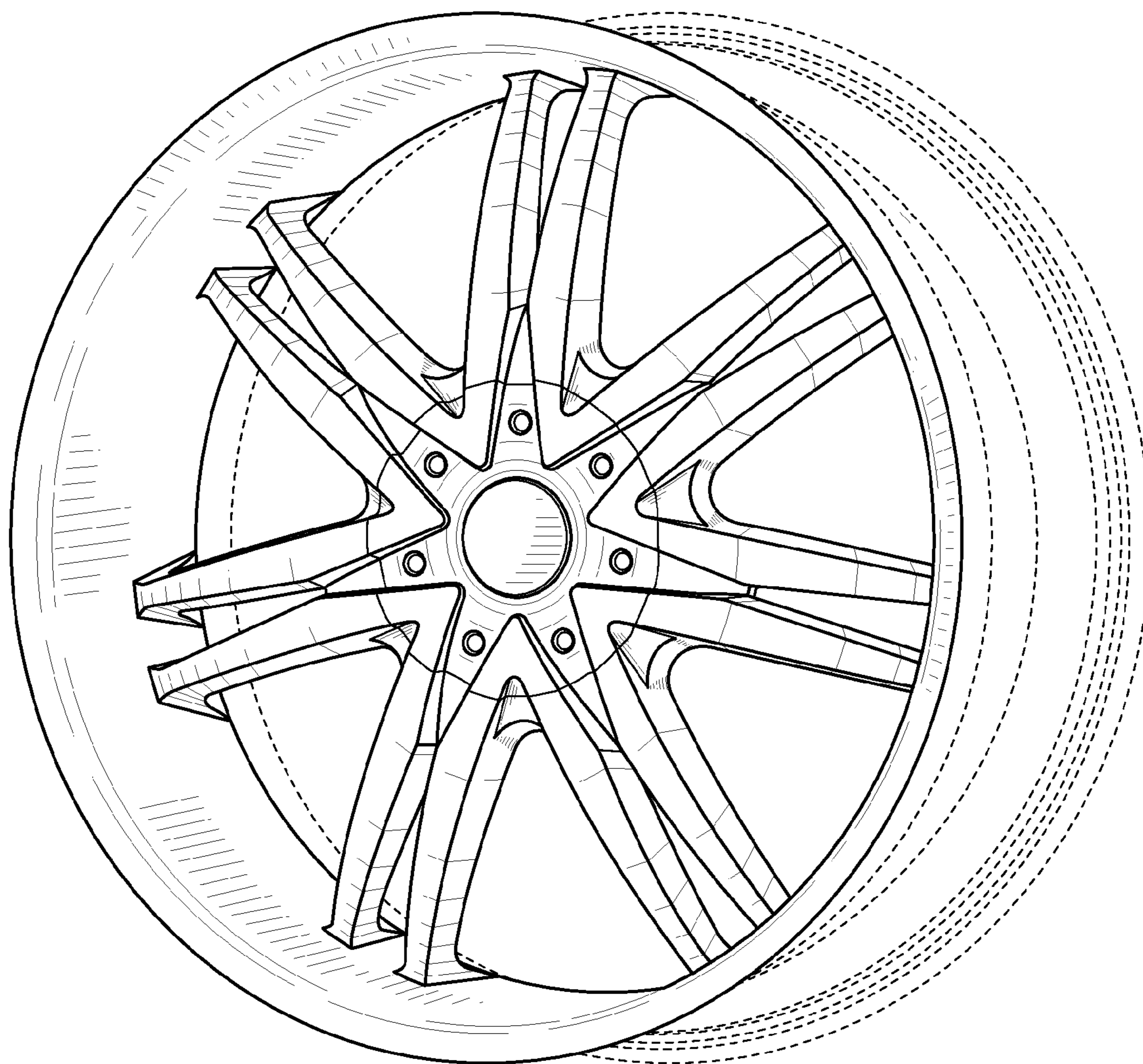


FIG. 1

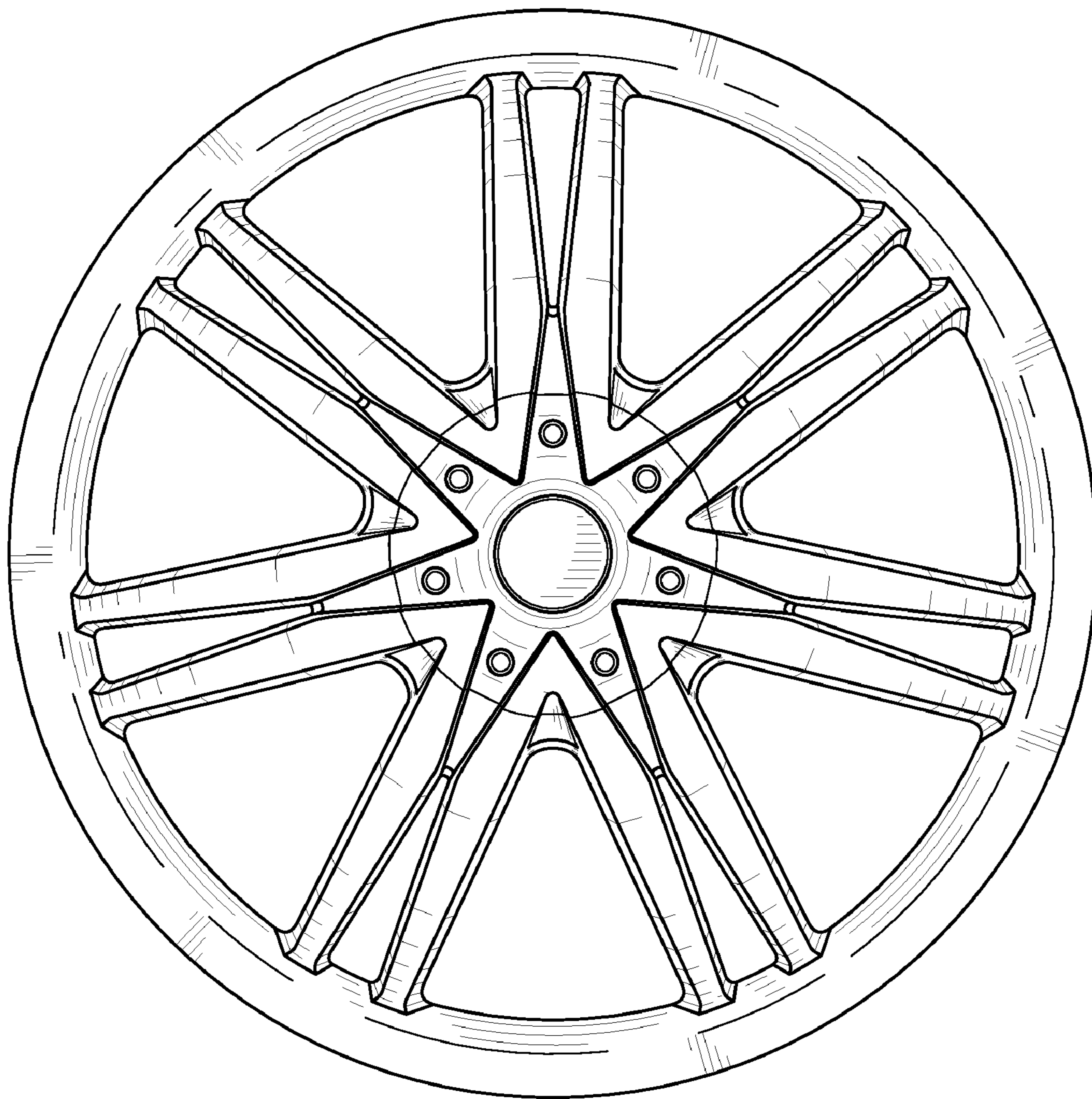


FIG. 2