



US00D617722S

(12) **United States Design Patent**
Zhao

(10) **Patent No.:** **US D617,722 S**
(45) **Date of Patent:** **** Jun. 15, 2010**

(54) **FRONT FACE OF A VEHICLE WHEEL**

(76) Inventor: **John Zhao**, 283 E. Garvey Ave.,
Monterey Park, CA (US) 91755

(**) Term: **14 Years**

(21) Appl. No.: **29/353,656**

(22) Filed: **Jan. 12, 2010**

(51) **LOC (9) Cl.** **12-16**

(52) **U.S. Cl.** **D12/211**

(58) **Field of Classification Search** D12/204–213;
301/37.101, 64.101, 65, 64.201

See application file for complete search history.

(56) **References Cited**

U.S. PATENT DOCUMENTS

D466,067 S	*	11/2002	Muzzarelli	D12/211
D502,135 S	*	2/2005	Weld	D12/211
D521,437 S	*	5/2006	Long	D12/209
D542,726 S	*	5/2007	Hieke	D12/209
D553,067 S	*	10/2007	Muzzarelli	D12/211
D567,739 S	*	4/2008	Kim	D12/211

D572,185 S	*	7/2008	Pollmann	D12/211
D586,715 S	*	2/2009	Cortes	D12/211
D589,427 S	*	3/2009	Scheu	D12/211
D594,803 S	*	6/2009	Pollmann	D12/211
D603,778 S	*	11/2009	Chung	D12/211

* cited by examiner

Primary Examiner—Stacia Cadmus

(74) *Attorney, Agent, or Firm*—Procopio, Cory, Hargreaves
& Savitch LLP

(57) **CLAIM**

The ornamental design for a front face of a vehicle wheel, as shown and described.

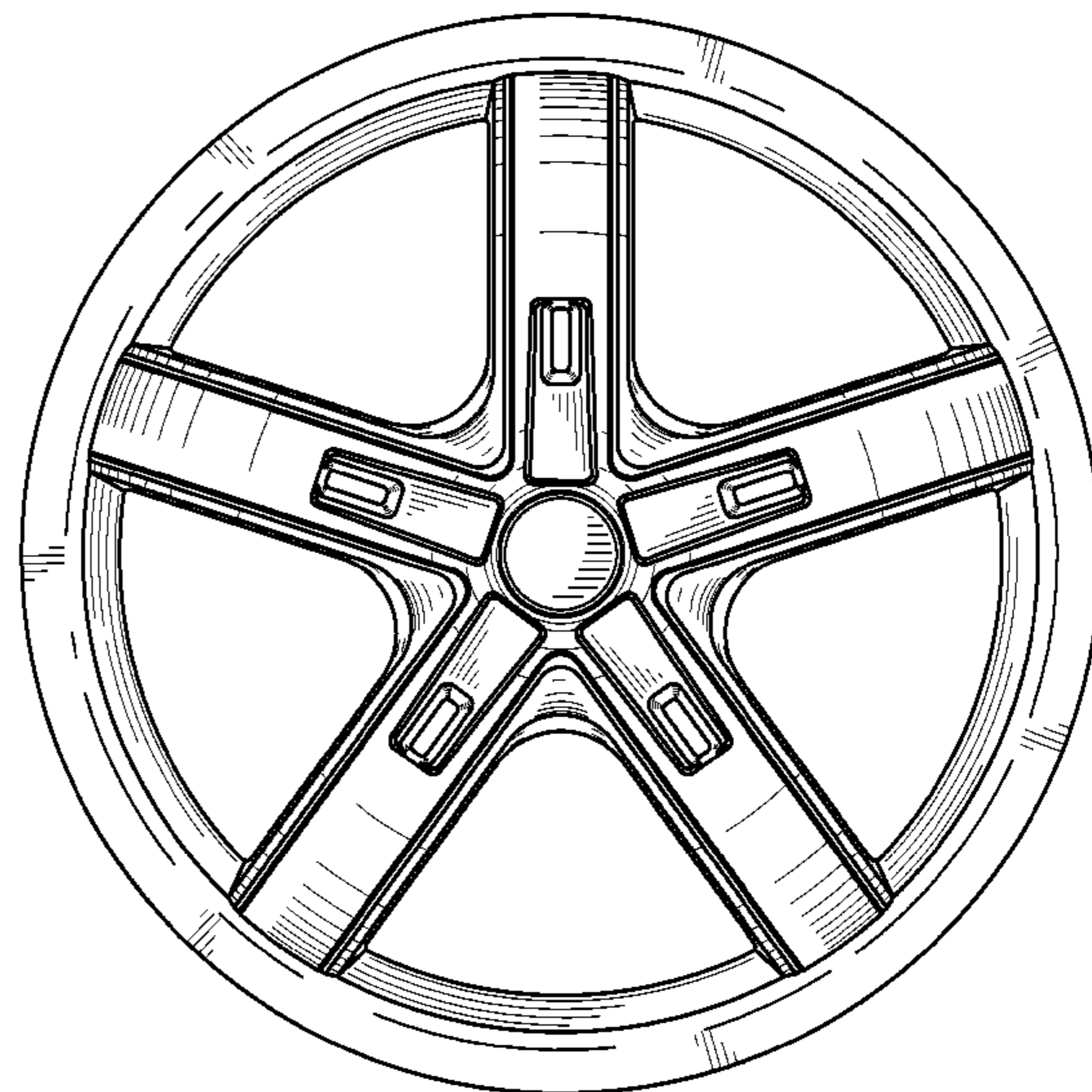
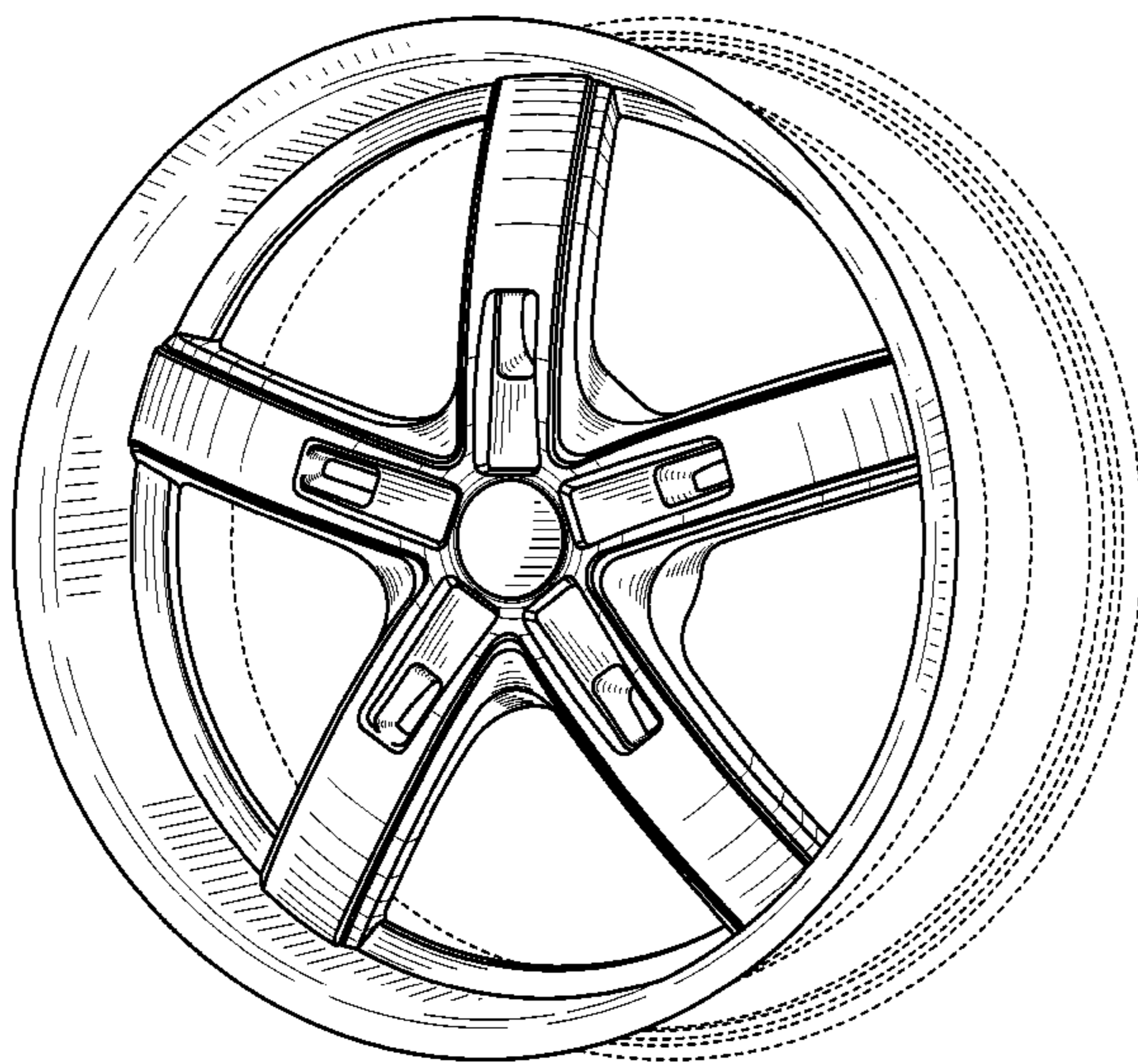
DESCRIPTION

FIG. 1 is a perspective view of a front face of a vehicle wheel embodying my new design; and,

FIG. 2 is a front view thereof.

The broken lines are for illustrative purposes only and form no part of the claimed design.

1 Claim, 2 Drawing Sheets



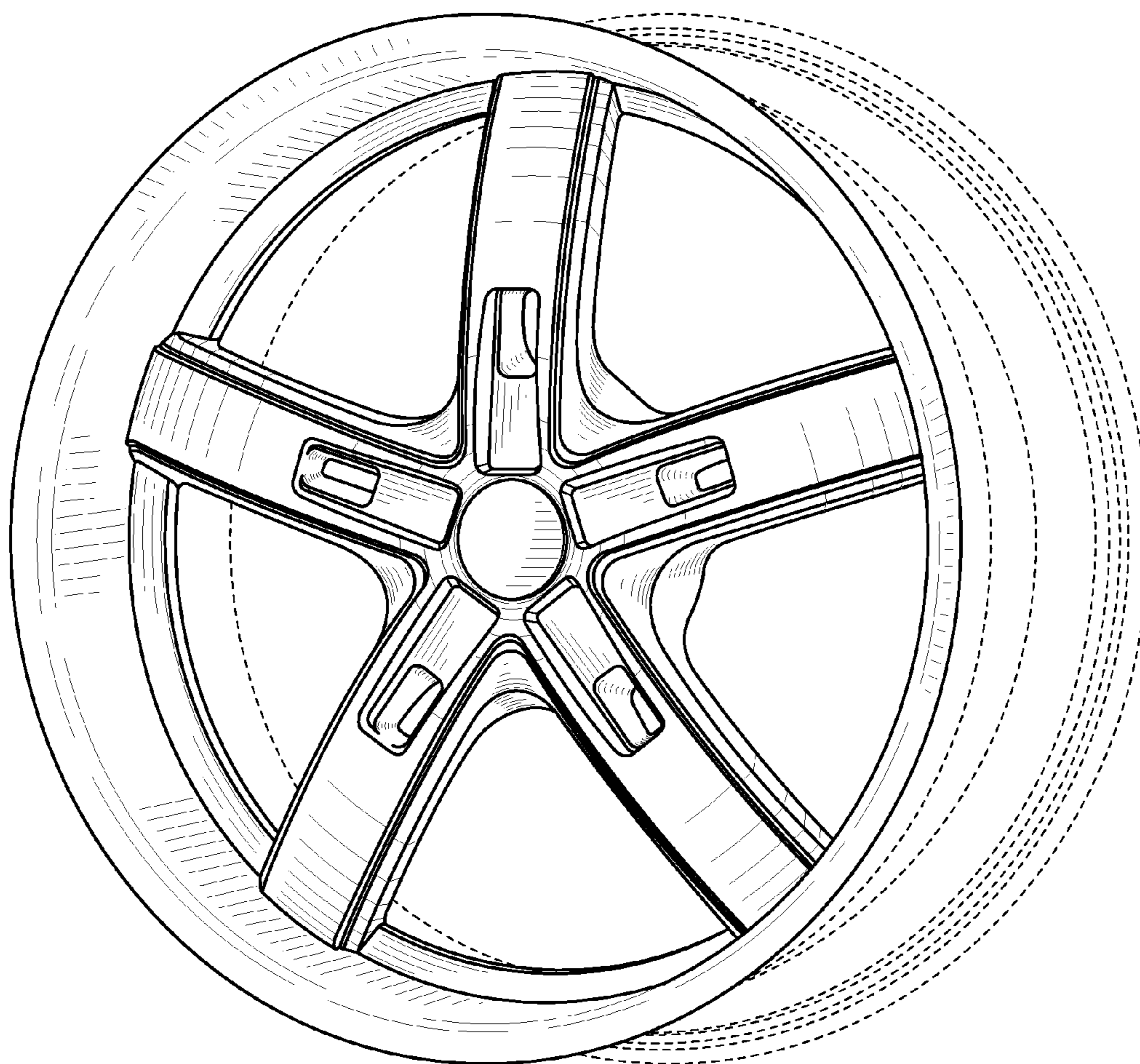


FIG. 1

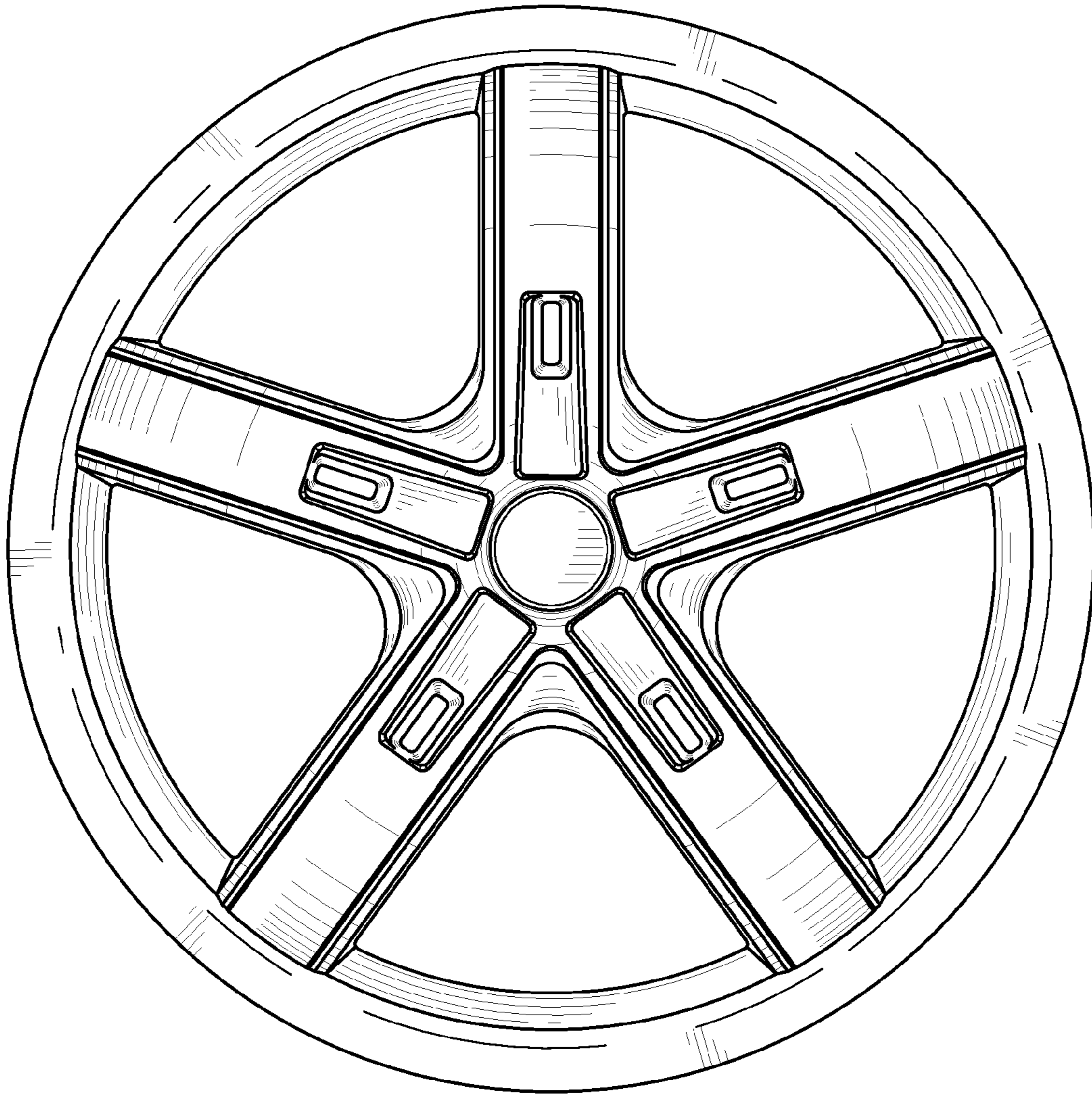


FIG. 2