



US00D617720S

(12) **United States Design Patent**
Zhao

(10) **Patent No.:** **US D617,720 S**
(45) **Date of Patent:** **** Jun. 15, 2010**

(54) **FRONT FACE OF A VEHICLE WHEEL**

(76) Inventor: **John Zhao**, 283 E. Garvey Ave.,
Monterey Park, CA (US) 91755

(**) Term: **14 Years**

(21) Appl. No.: **29/352,239**

(22) Filed: **Dec. 17, 2009**

(51) **LOC (9) Cl.** **12-16**

(52) **U.S. Cl.** **D12/211**

(58) **Field of Classification Search** D12/204–213;
301/37.101, 64.101, 65, 64.201
See application file for complete search history.

(56) **References Cited**

U.S. PATENT DOCUMENTS

D456,332 S *	4/2002	Vian	D12/211
D480,037 S *	9/2003	Takechi	D12/211
D497,870 S *	11/2004	Cahyono	D12/211
D500,003 S *	12/2004	Guevara	D12/211
D500,006 S *	12/2004	Cahyono	D12/211
D504,102 S *	4/2005	Cheng	D12/211
D505,375 S *	5/2005	Kushartanto	D12/211

D524,215 S *	7/2006	Guevara	D12/211
D532,738 S *	11/2006	Ettensberger	D12/211
D536,655 S *	2/2007	Kim	D12/211
D545,749 S *	7/2007	Young	D12/211
D573,082 S *	7/2008	Young	D12/211
D579,848 S *	11/2008	Kim	D12/211
D591,663 S *	5/2009	Chung	D12/211

* cited by examiner

Primary Examiner—Stacia Cadmus

(74) *Attorney, Agent, or Firm*—Procopio, Cory, Hargreaves
& Savitch LLP

(57) **CLAIM**

The ornamental design for a front face of a vehicle wheel, as shown and described.

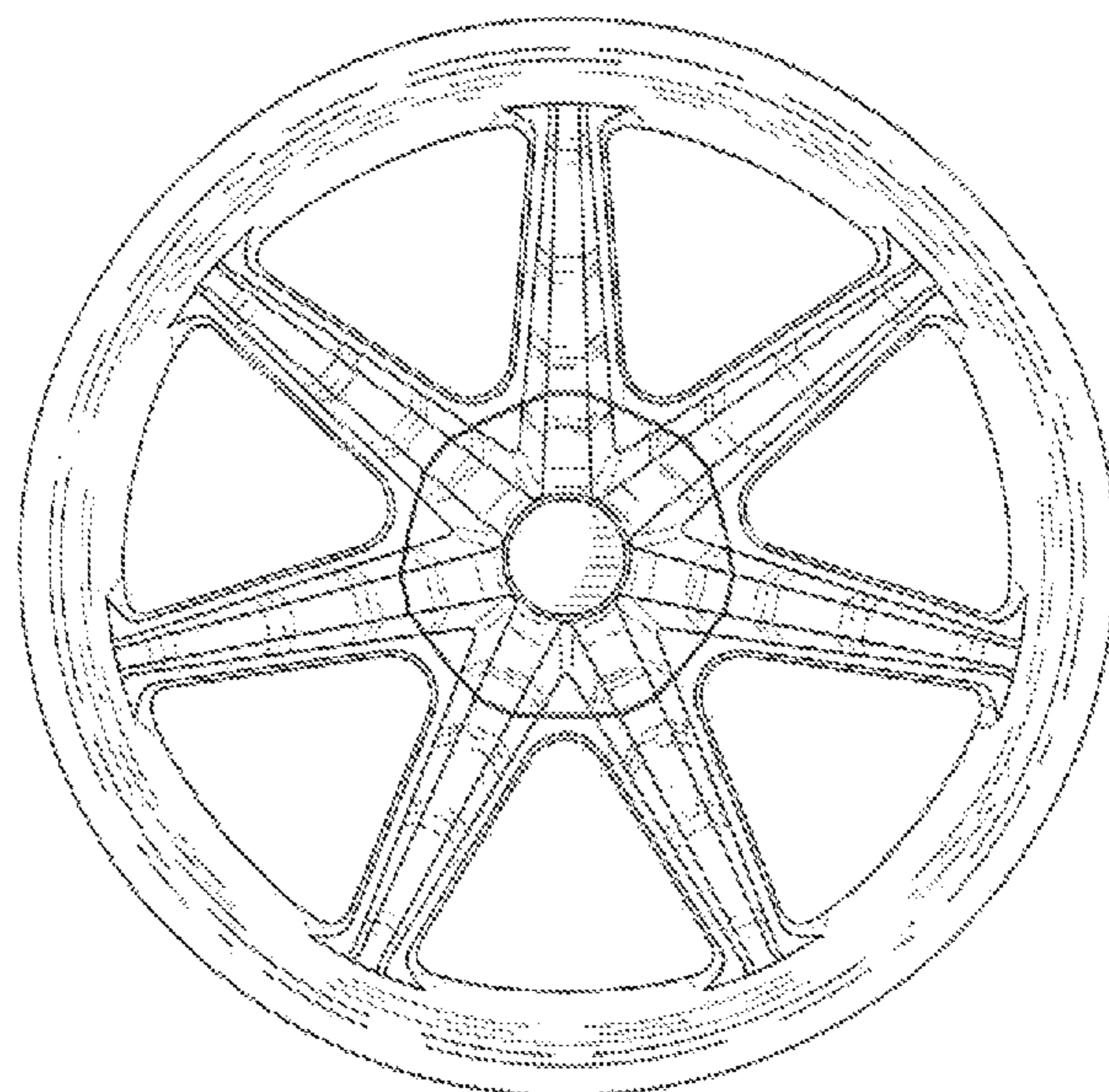
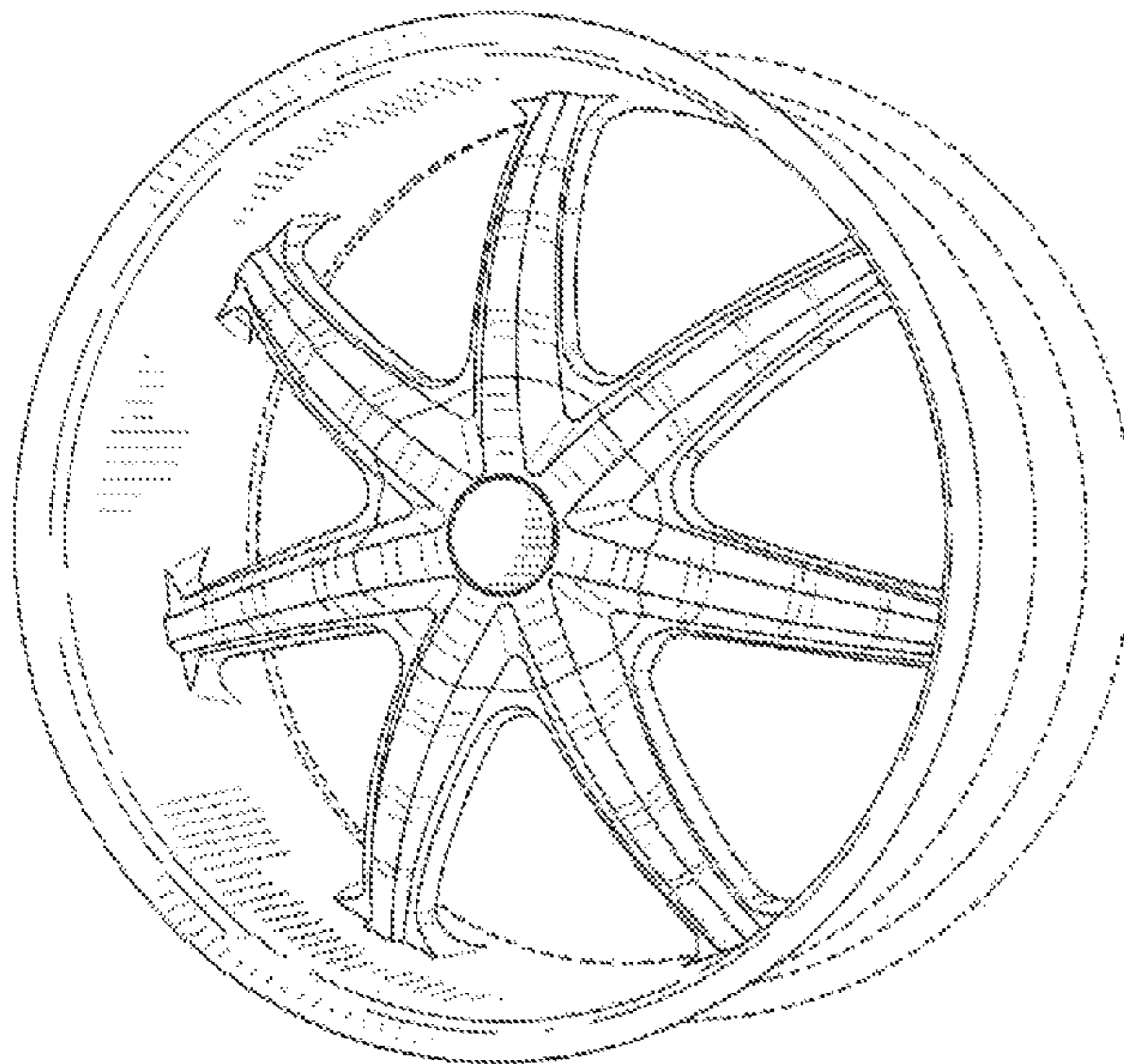
DESCRIPTION

FIG. 1 is a perspective view of a front face of a vehicle wheel embodying my new design; and,

FIG. 2 is a front view thereof.

The broken lines are for illustrative purposes only and form no part of the claimed design.

1 Claim, 2 Drawing Sheets



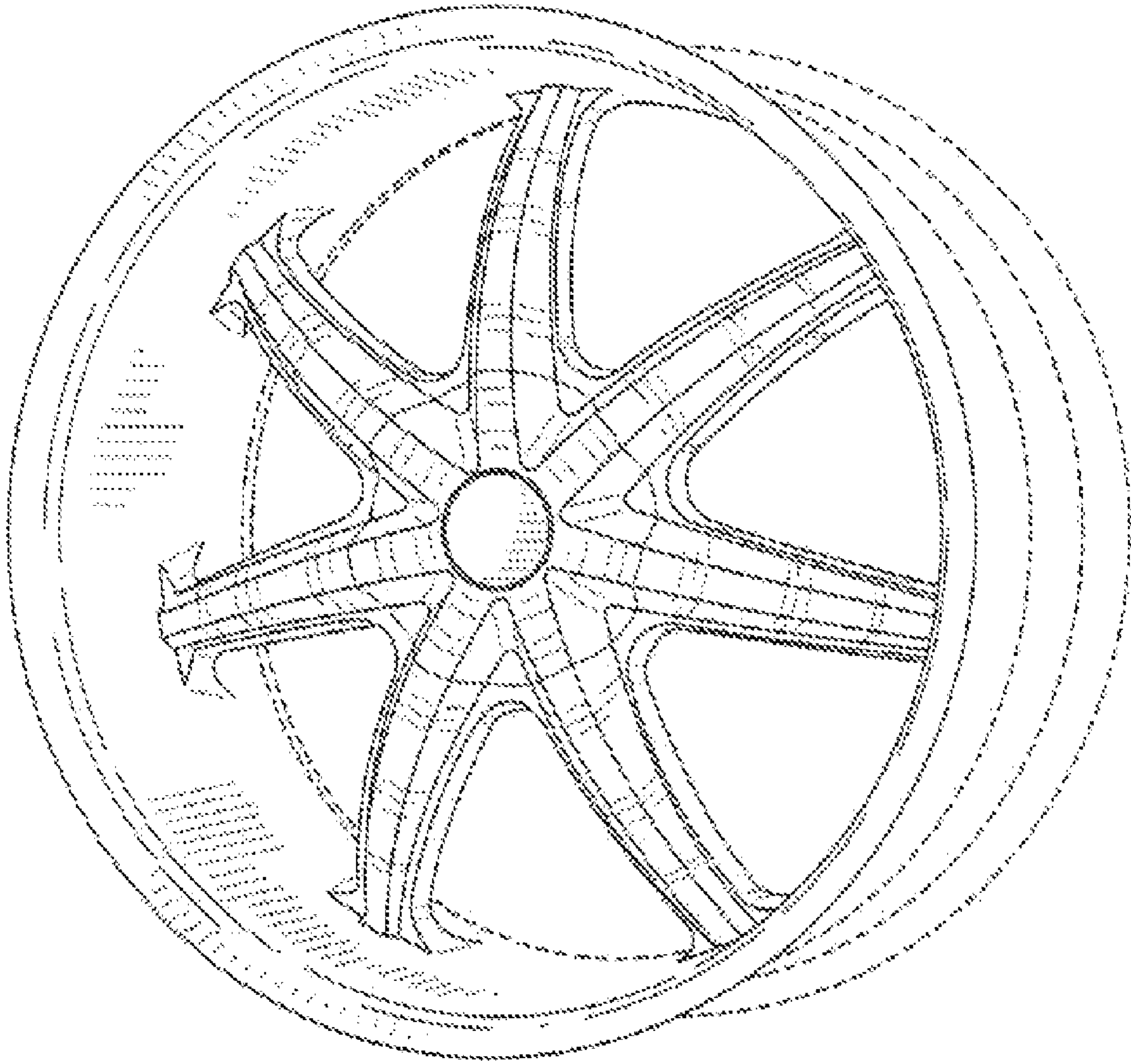


FIG. 1

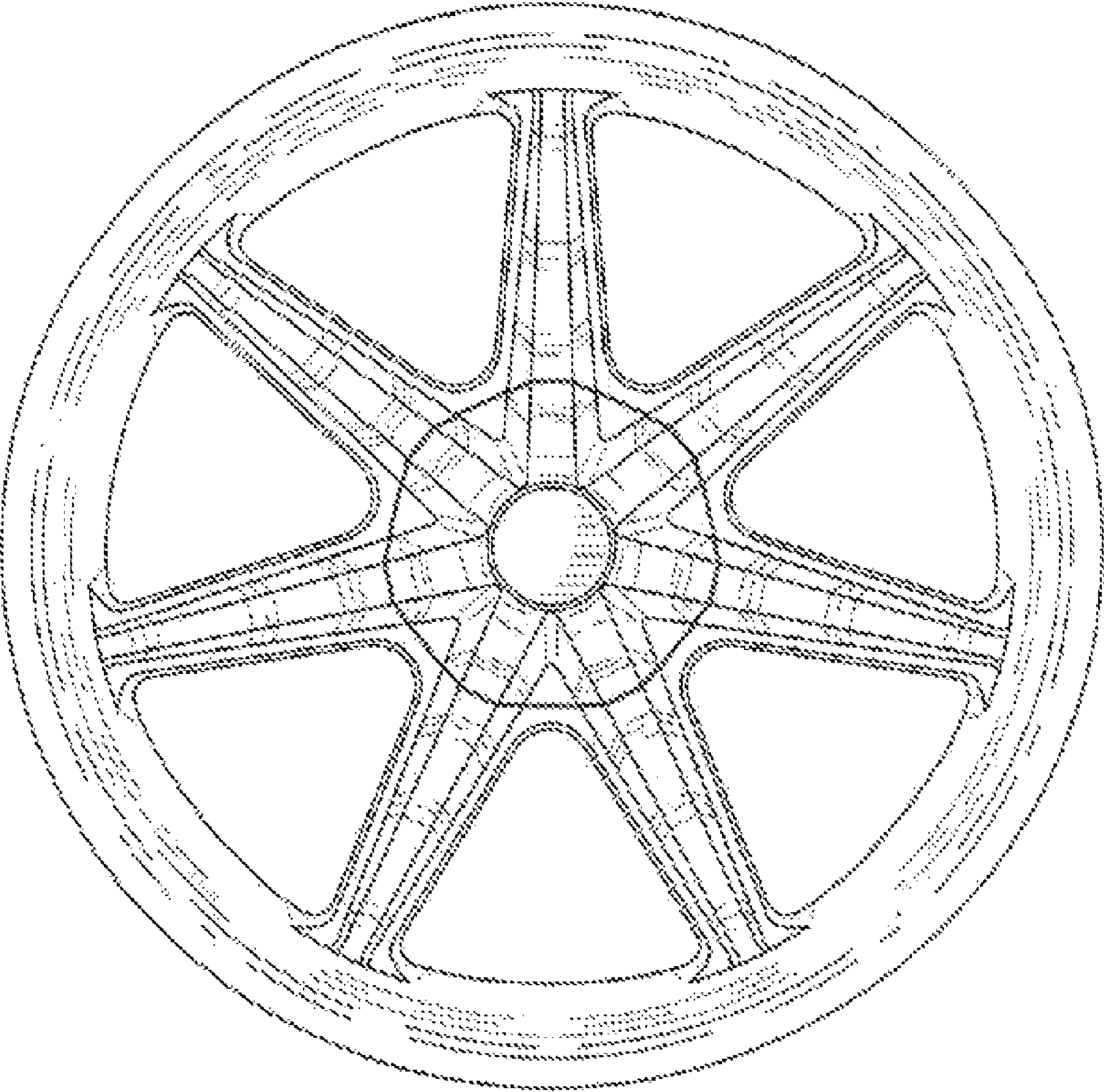


FIG. 2