



US00D617719S

(12) **United States Design Patent**
Zhao

(10) **Patent No.:** **US D617,719 S**
(45) **Date of Patent:** **** Jun. 15, 2010**

(54) **FRONT FACE OF A VEHICLE WHEEL**

(76) Inventor: **John Zhao**, 253 E. Garvey Ave.,
Monterey Park, CA (US) 91755

(**) Term: **14 Years**

(21) Appl. No.: **29/352,164**

(22) Filed: **Dec. 17, 2009**

(51) **LOC (9) Cl.** **12-16**

(52) **U.S. Cl.** **D12/211**

(58) **Field of Classification Search** D12/204-213;
301/37.101, 64.101, 65, 64.201

See application file for complete search history.

(56) **References Cited**

U.S. PATENT DOCUMENTS

D421,953 S *	3/2000	Sims et al.	D12/211
D479,178 S *	9/2003	Lai	D12/211
D500,005 S *	12/2004	van Hooydonk	D12/211
D515,493 S *	2/2006	Schaefers	D12/211
D516,991 S *	3/2006	Guevara	D12/211
D526,948 S *	8/2006	Truebsbach	D12/211
D527,333 S *	8/2006	Blasi	D12/211
D533,827 S *	12/2006	Aydin	D12/211
D536,653 S *	2/2007	Rasmussen et al.	D12/211

D546,748 S *	7/2007	Young	D12/211
D567,738 S *	4/2008	Habib et al.	D12/211
D569,777 S *	5/2008	Chung	D12/211
D585,010 S *	1/2009	Pollmann	D12/211
D586,285 S *	2/2009	Fridie	D12/211
D593,922 S *	6/2009	Blasi	D12/211
D596,552 S *	7/2009	Beermann	D12/211
D598,357 S *	8/2009	Chung	D12/211

* cited by examiner

Primary Examiner—Stacia Cadmus

(74) *Attorney, Agent, or Firm*—Procopio, Cory,
Hargreaves & Savitch LLP

(57) **CLAIM**

The ornamental design for a front face of a vehicle wheel, as shown and described.

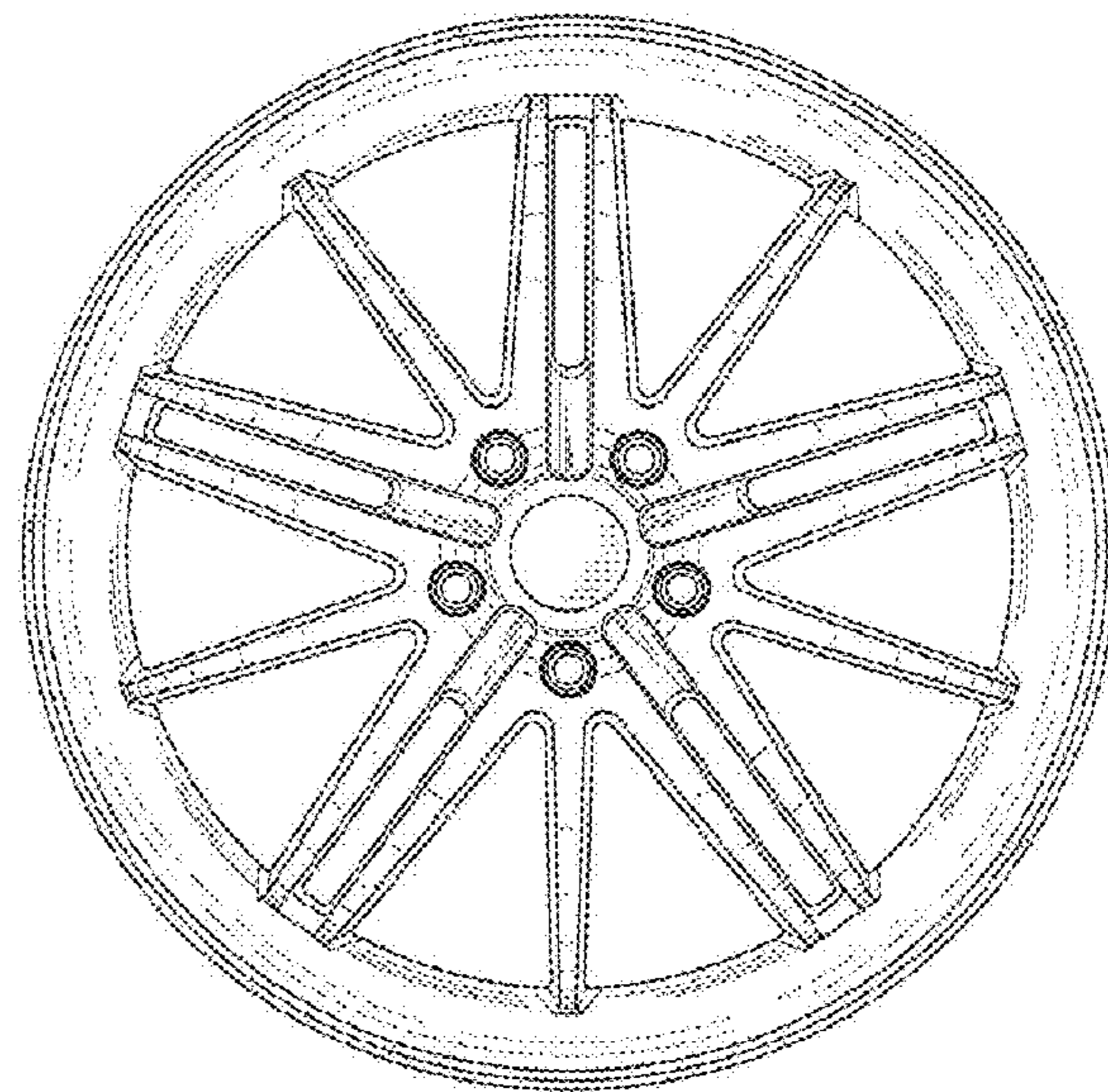
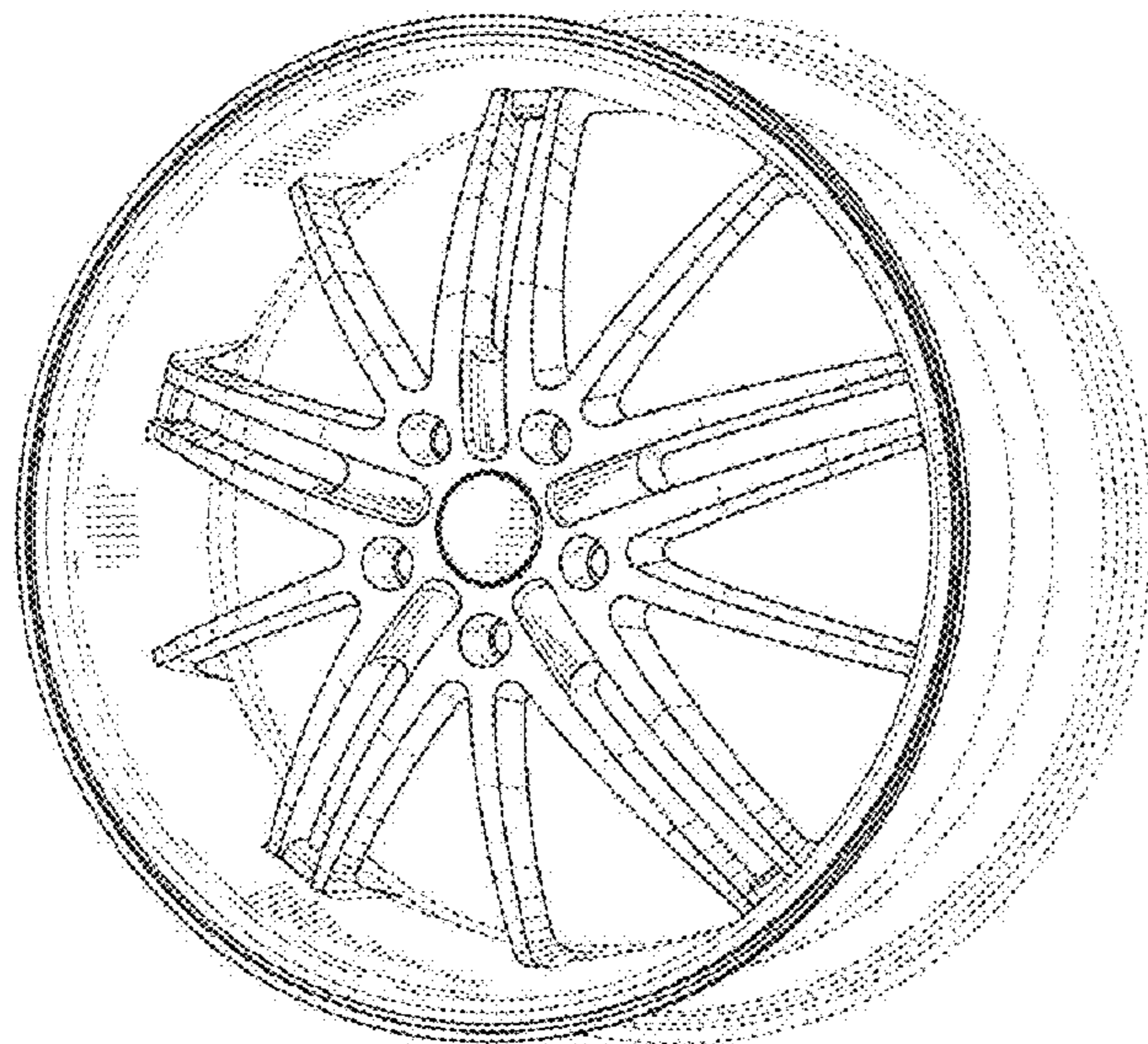
DESCRIPTION

FIG. 1 is a perspective view of a front face of a vehicle wheel embodying my new design; and,

FIG. 2 is a front view thereof.

The broken lines are for illustrative purposes only and form no part of the claimed design.

1 Claim, 2 Drawing Sheets



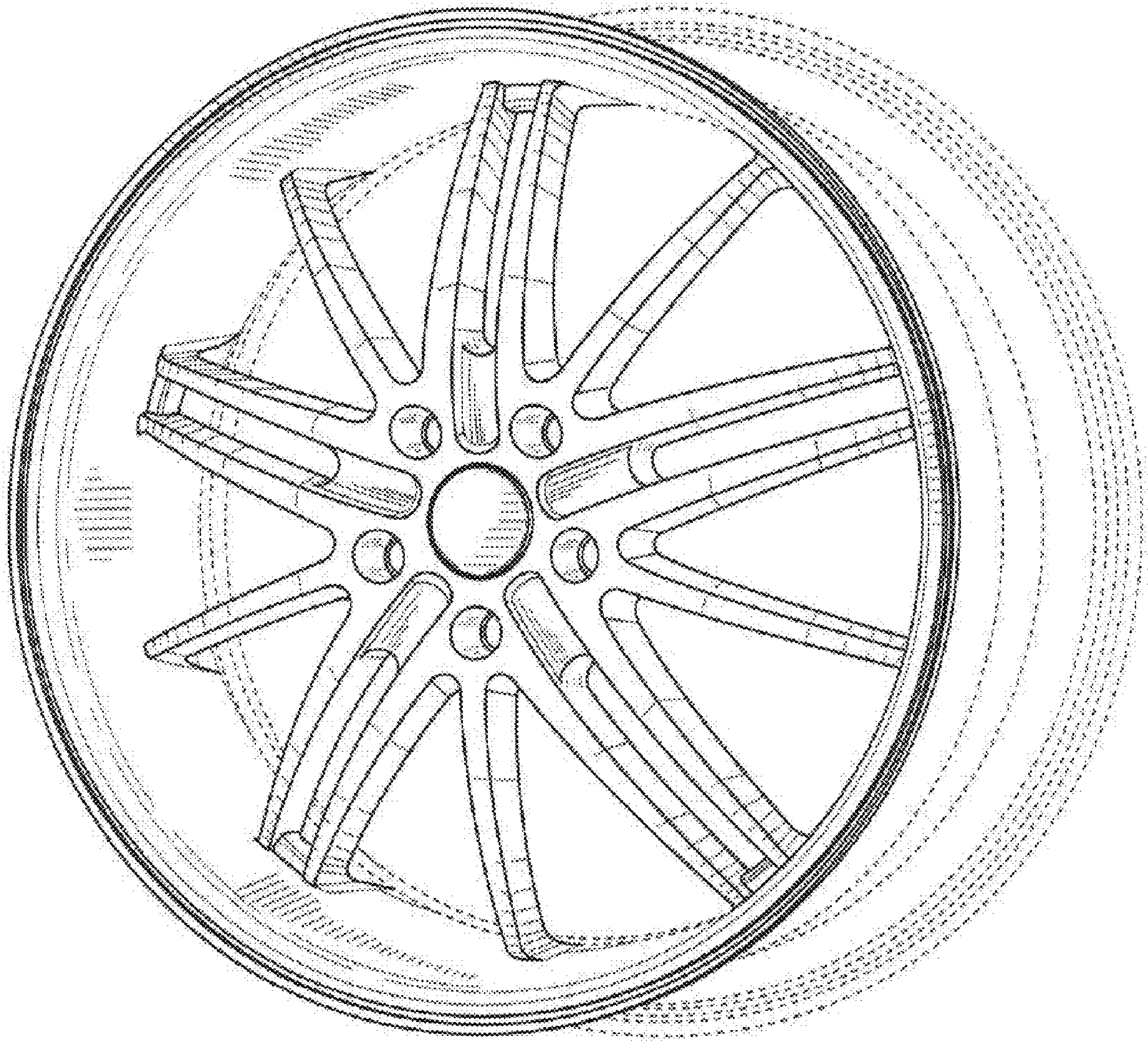


FIG. 1

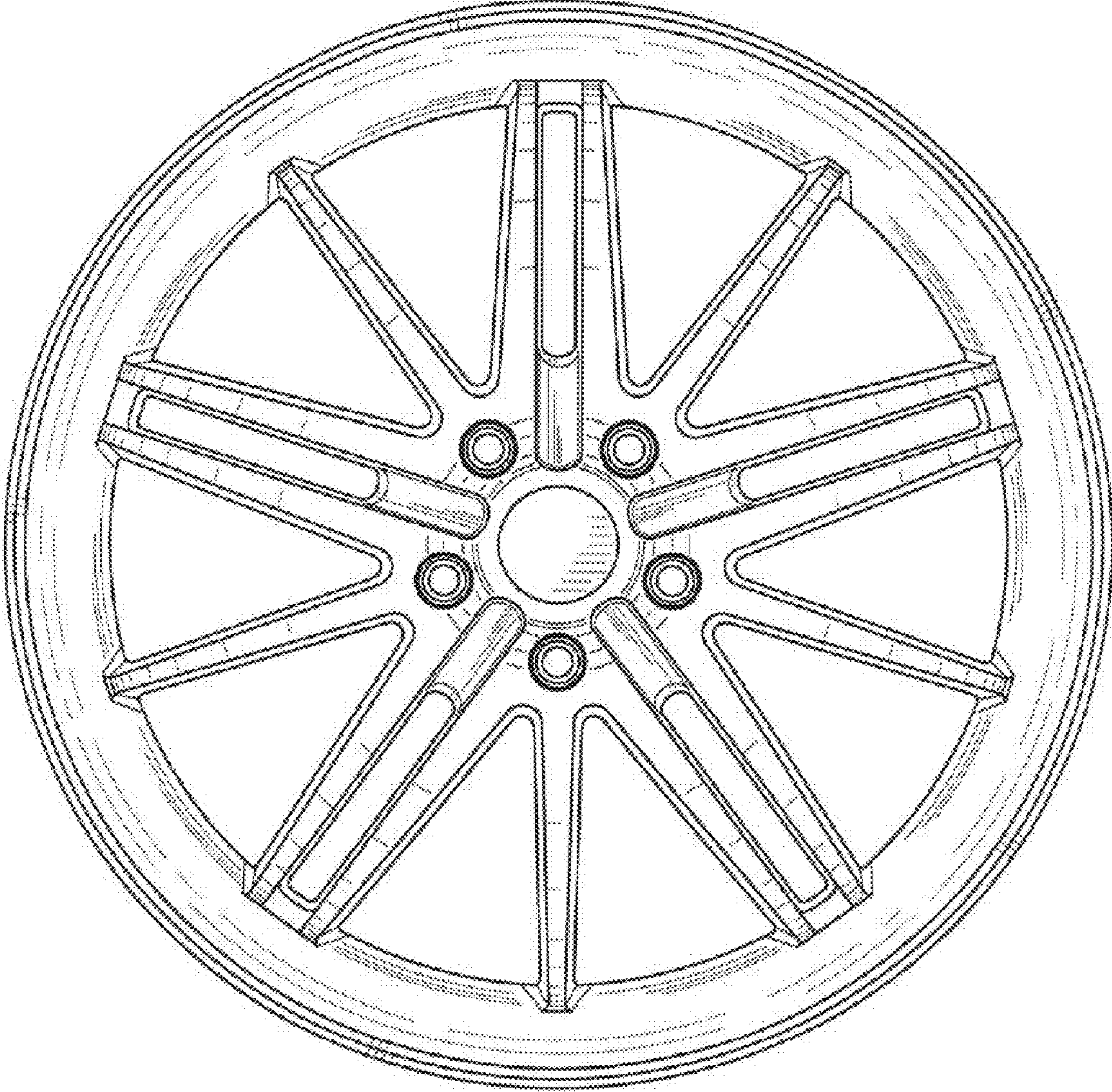


FIG. 2