



US00D617714S

(12) **United States Design Patent**
Gallert

(10) **Patent No.:** **US D617,714 S**
(45) **Date of Patent:** **** Jun. 15, 2010**

(54) **AUTOMOBILE WHEEL**

(75) Inventor: **Michael Gallert**, Stuttgart (DE)

(73) Assignee: **Dr. Ing. h.c. F. Porsche AG**, Stuttgart (DE)

(**) Term: **14 Years**

(21) Appl. No.: **29/341,267**

(22) Filed: **Aug. 3, 2009**

(30) **Foreign Application Priority Data**

Feb. 28, 2009 (DE) 40 2009 001 042

(51) **LOC (9) Cl.** **12-16**

(52) **U.S. Cl.** **D12/211**

(58) **Field of Classification Search** D12/204-213;
301/37.101, 64.101, 65, 64.201
See application file for complete search history.

(56) **References Cited**

U.S. PATENT DOCUMENTS

D415,094 S *	10/1999	Neeper	D12/211
D421,953 S *	3/2000	Sims et al.	D12/211
D515,493 S *	2/2006	Schaefer	D12/211
D527,330 S *	8/2006	Madden	D12/211
D527,333 S *	8/2006	Blasi	D12/211
D536,653 S *	2/2007	Rasmussen et al.	D12/211

D569,777 S *	5/2008	Chung	D12/211
D585,010 S *	1/2009	Pollmann	D12/211
D586,285 S *	2/2009	Fridie	D12/211
D593,922 S *	6/2009	Blasi	D12/211
D596,552 S *	7/2009	Beermann	D12/211
D598,357 S *	8/2009	Chung	D12/211

* cited by examiner

Primary Examiner—Stacia Cadmus

(57) **CLAIM**

The ornamental design for an automobile wheel, as shown and described.

DESCRIPTION

FIG. 1 is a front elevational view of an automobile wheel, showing my new design;

FIG. 2 is a perspective view thereof;

FIG. 3 is a bottom, plan view thereof;

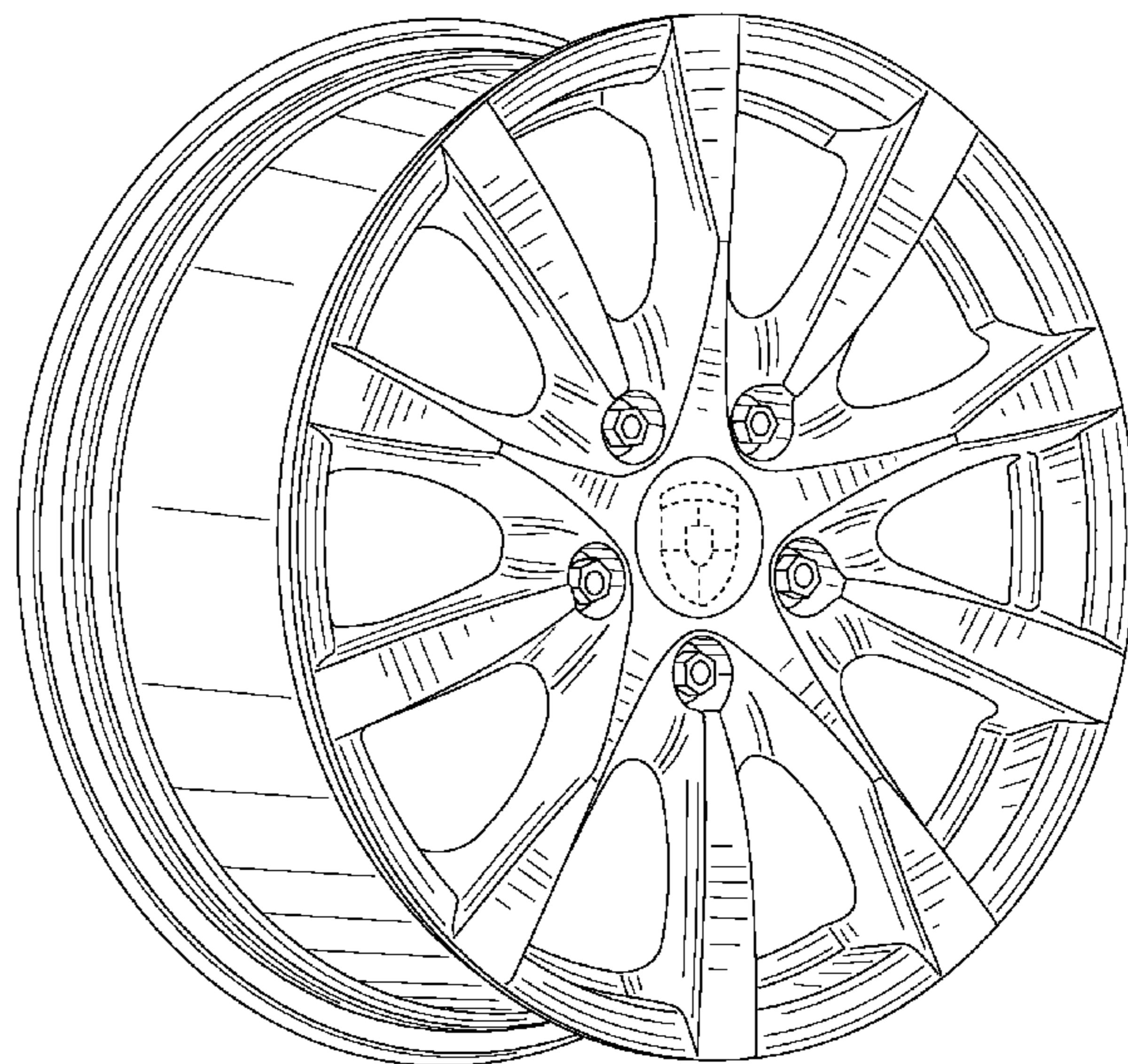
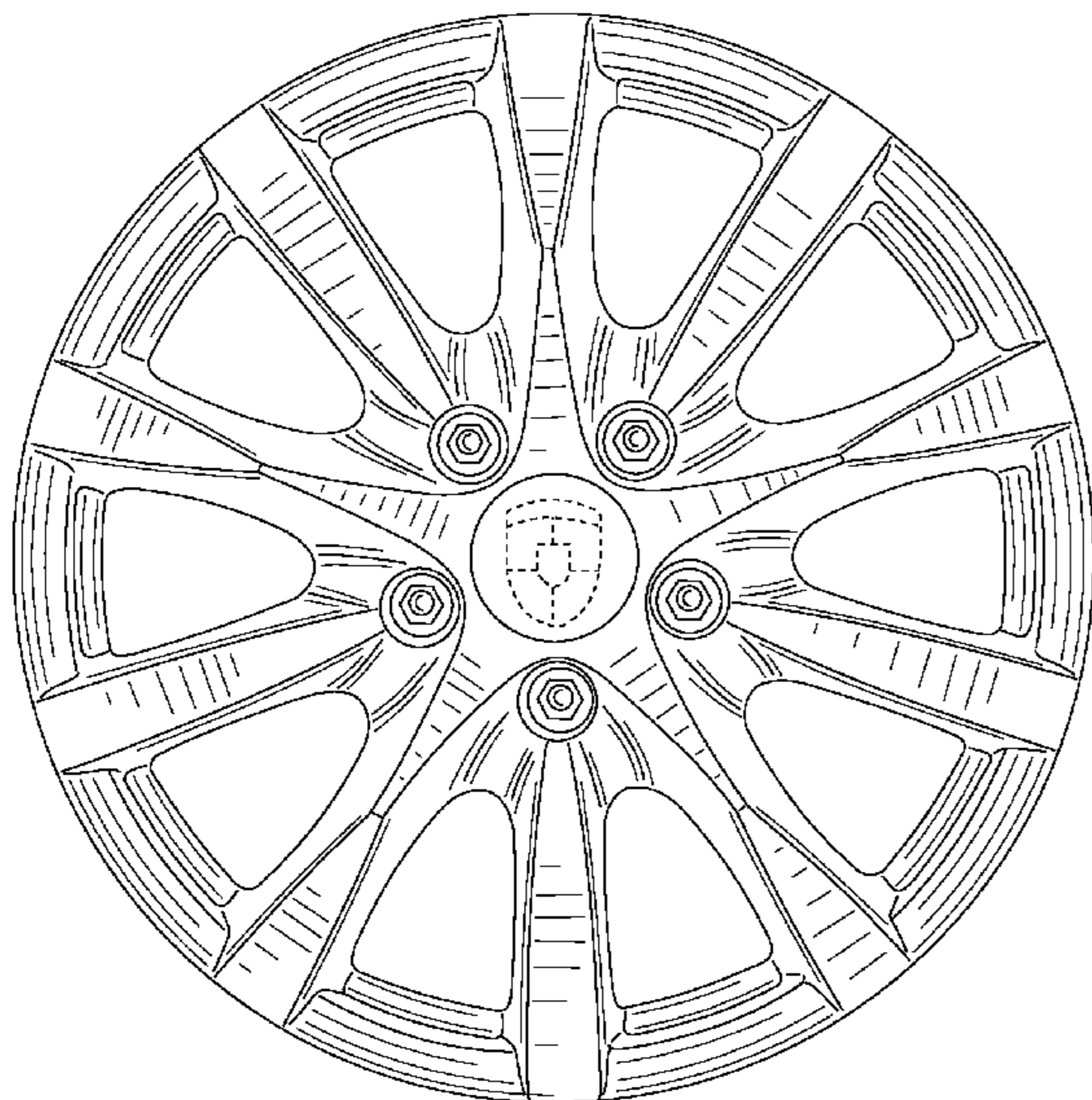
FIG. 4 is top, plan view thereof.

FIG. 5 is a left-side view thereof; and,

FIG. 6 is a right-side view thereof.

The broken line showing of the emblem in FIGS. 1 and 2 is included for the purpose of illustrating environment and forms no part of the claimed design.

1 Claim, 4 Drawing Sheets



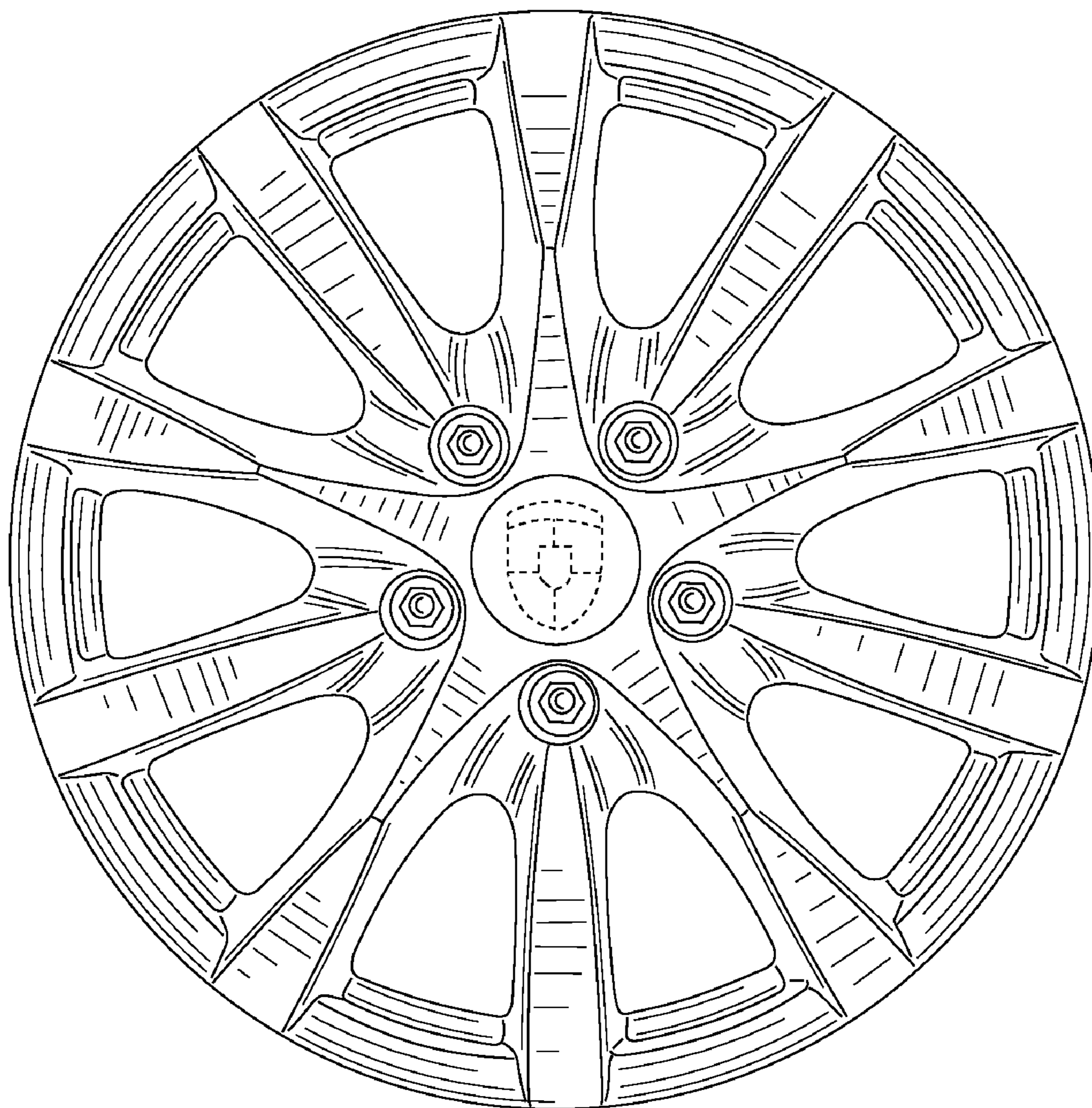


FIG. 1

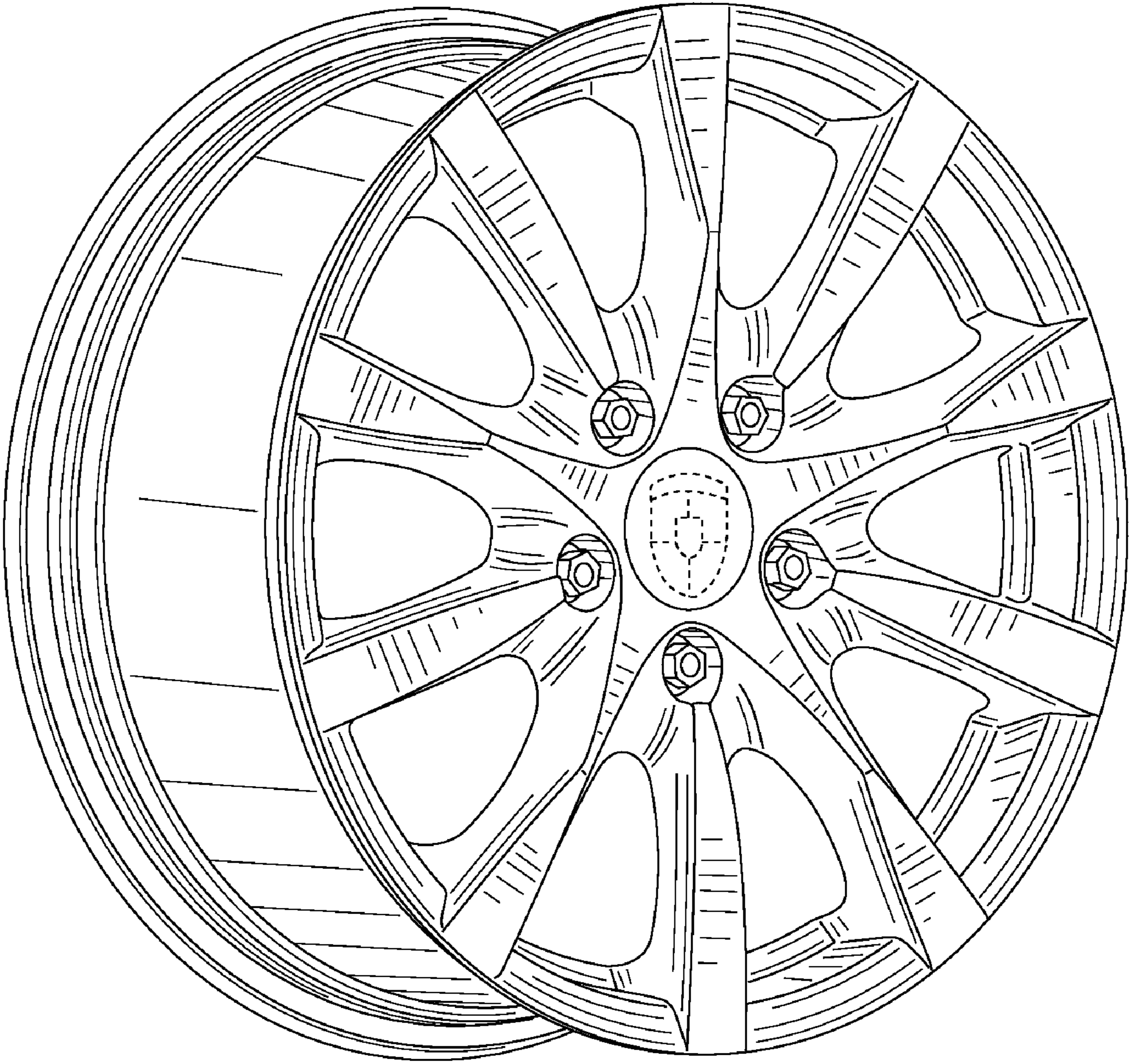


FIG. 2

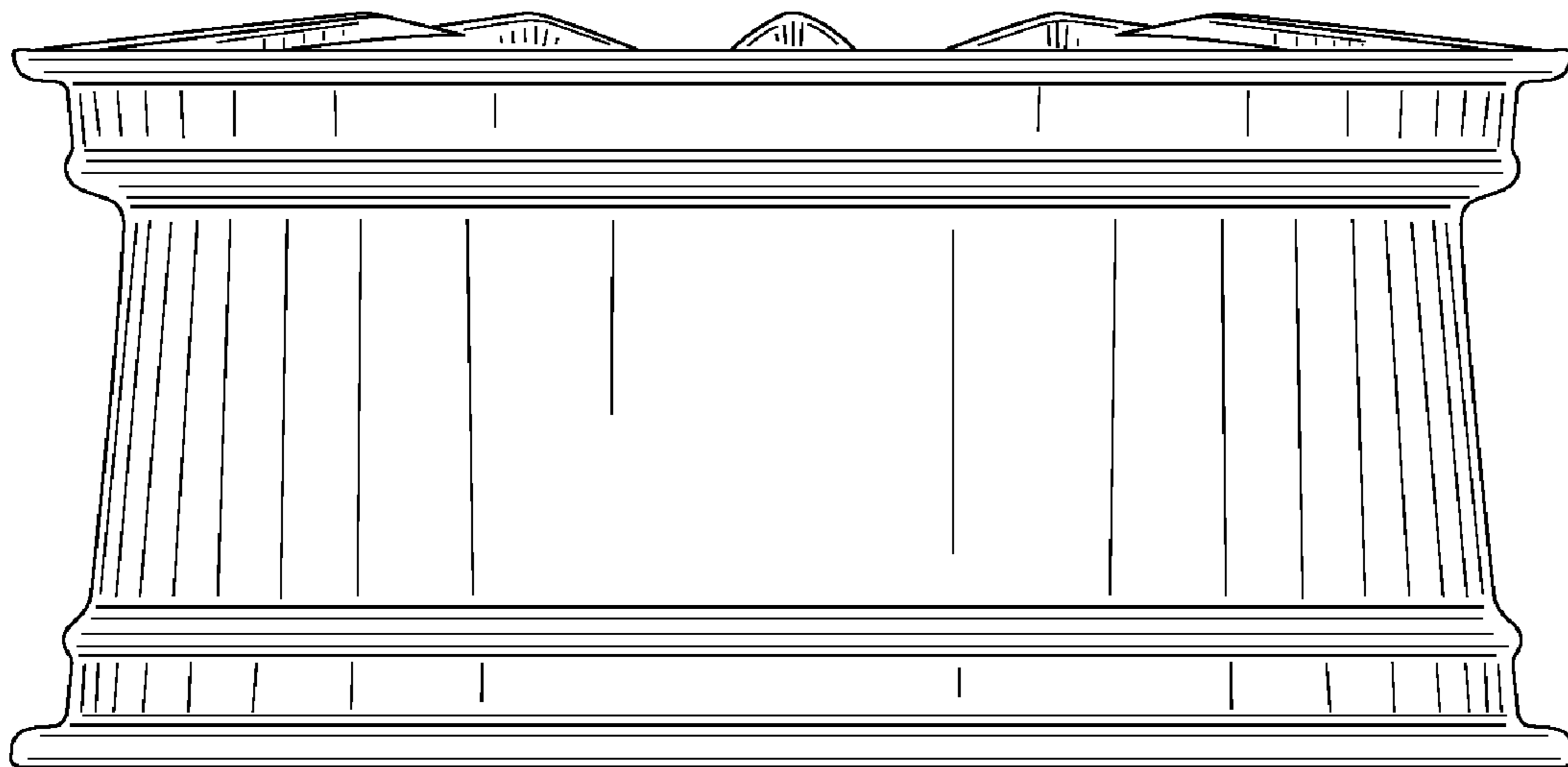


FIG. 3

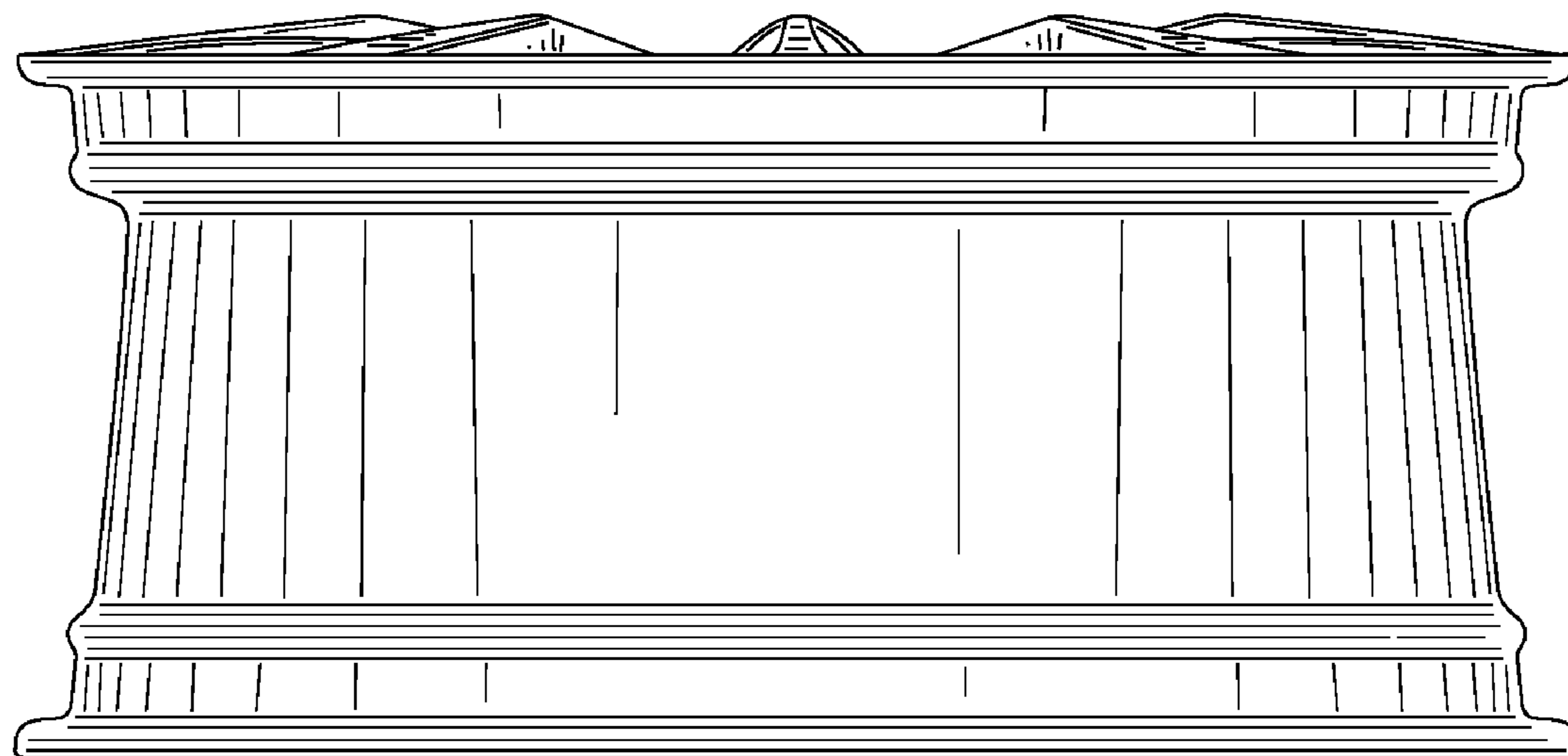


FIG. 4

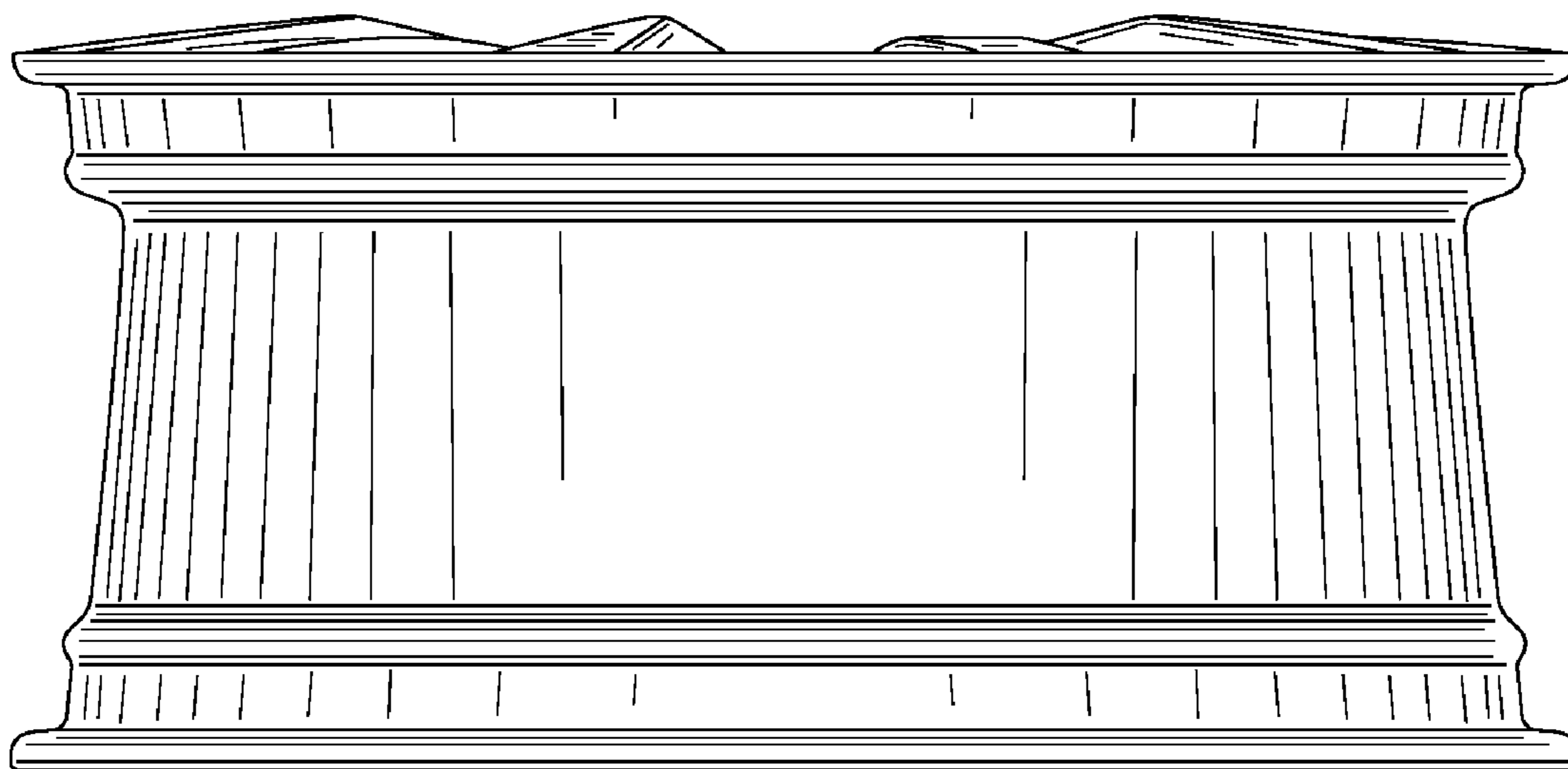


FIG. 5

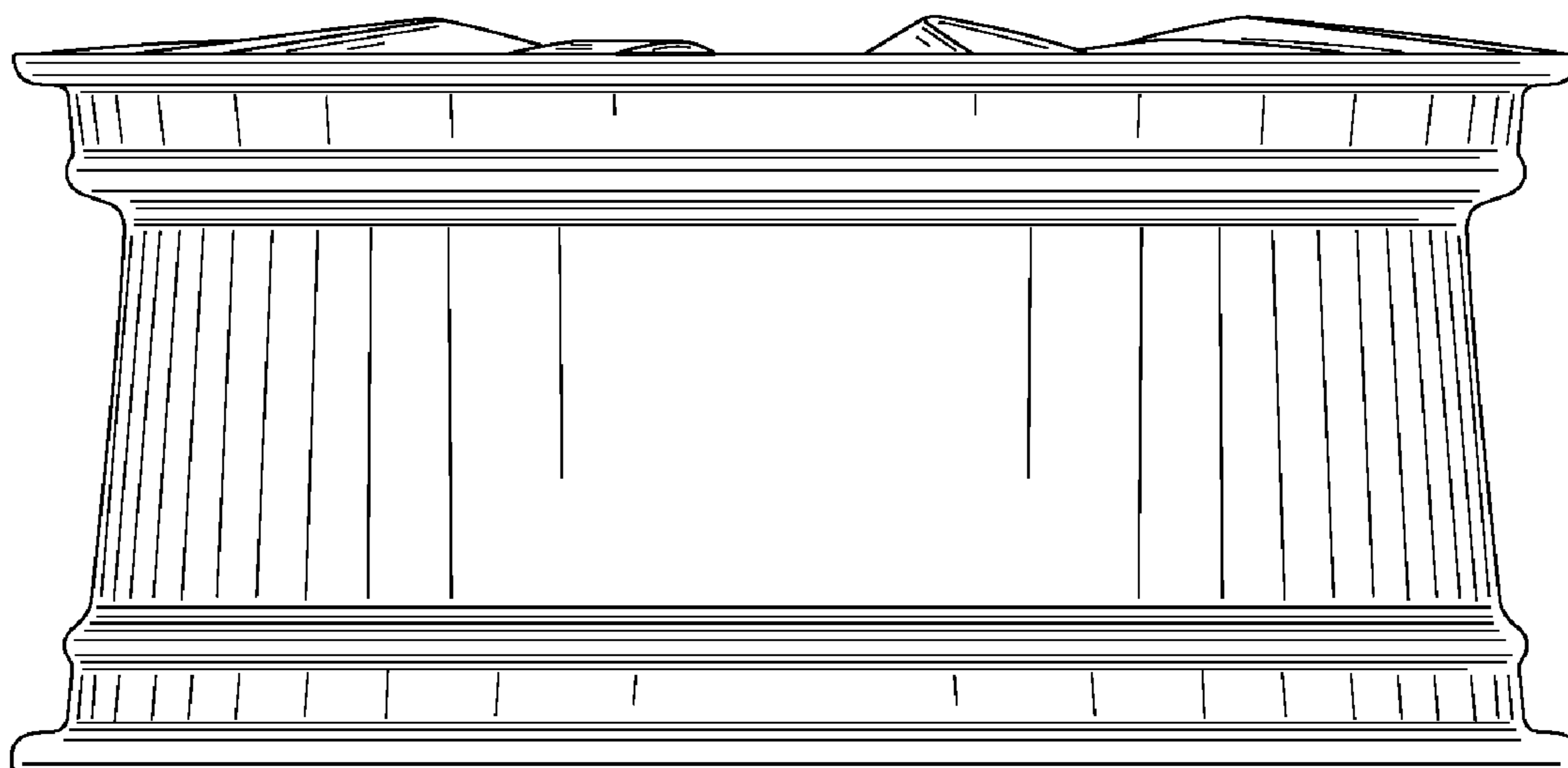


FIG. 6