



US00D617709S

(12) **United States Design Patent**  
**Borkert**

(10) **Patent No.:** **US D617,709 S**  
(45) **Date of Patent:** **\*\* Jun. 15, 2010**

(54) **AUTOMOBILE WHEEL**

(75) Inventor: **Mitja Borkert**, Stuttgart (DE)

(73) Assignee: **Dr. Ing. h.c. F. Porsche**  
**Aktiengesellschaft**, Stuttgart (DE)

(\*\*) Term: **14 Years**

(21) Appl. No.: **29/341,478**

(22) Filed: **Aug. 6, 2009**

(30) **Foreign Application Priority Data**

Feb. 28, 2009 (DE) ..... 40 2009 001 037

(51) **LOC (9) Cl.** ..... **12-16**

(52) **U.S. Cl.** ..... **D12/209**

(58) **Field of Classification Search** ..... D12/204-213;  
301/37.101, 64.101, 65, 64.201  
See application file for complete search history.

(56) **References Cited**

**U.S. PATENT DOCUMENTS**

D416,849 S *	11/1999	Weidhase	.....	D12/211
D438,503 S *	3/2001	Syring	.....	D12/211
D451,067 S *	11/2001	Frizzi	.....	D12/211
D474,440 S *	5/2003	Oh	.....	D12/211
D500,726 S *	1/2005	Hettler	.....	D12/211
D516,990 S *	3/2006	Schweizer	.....	D12/211

D516,991 S *	3/2006	Guevara	.....	D12/211
D526,948 S *	8/2006	Truebsbach	.....	D12/211
D546,748 S *	7/2007	Young	.....	D12/211
D548,162 S *	8/2007	Baum	.....	D12/211
D551,149 S *	9/2007	Elmitt	.....	D12/211
D558,117 S *	12/2007	Baum	.....	D12/211
D569,323 S *	5/2008	Laengerer	.....	D12/211
D572,186 S *	7/2008	Viandante	.....	D12/211
D578,455 S *	10/2008	Pfeiffer	.....	D12/211
D579,846 S *	11/2008	Chung	.....	D12/209
D584,210 S *	1/2009	Baum	.....	D12/211
D591,661 S *	5/2009	Baum	.....	D12/209

\* cited by examiner

*Primary Examiner*—Stacia Cadmus

(57) **CLAIM**

The ornamental design for an automobile wheel, as shown and described.

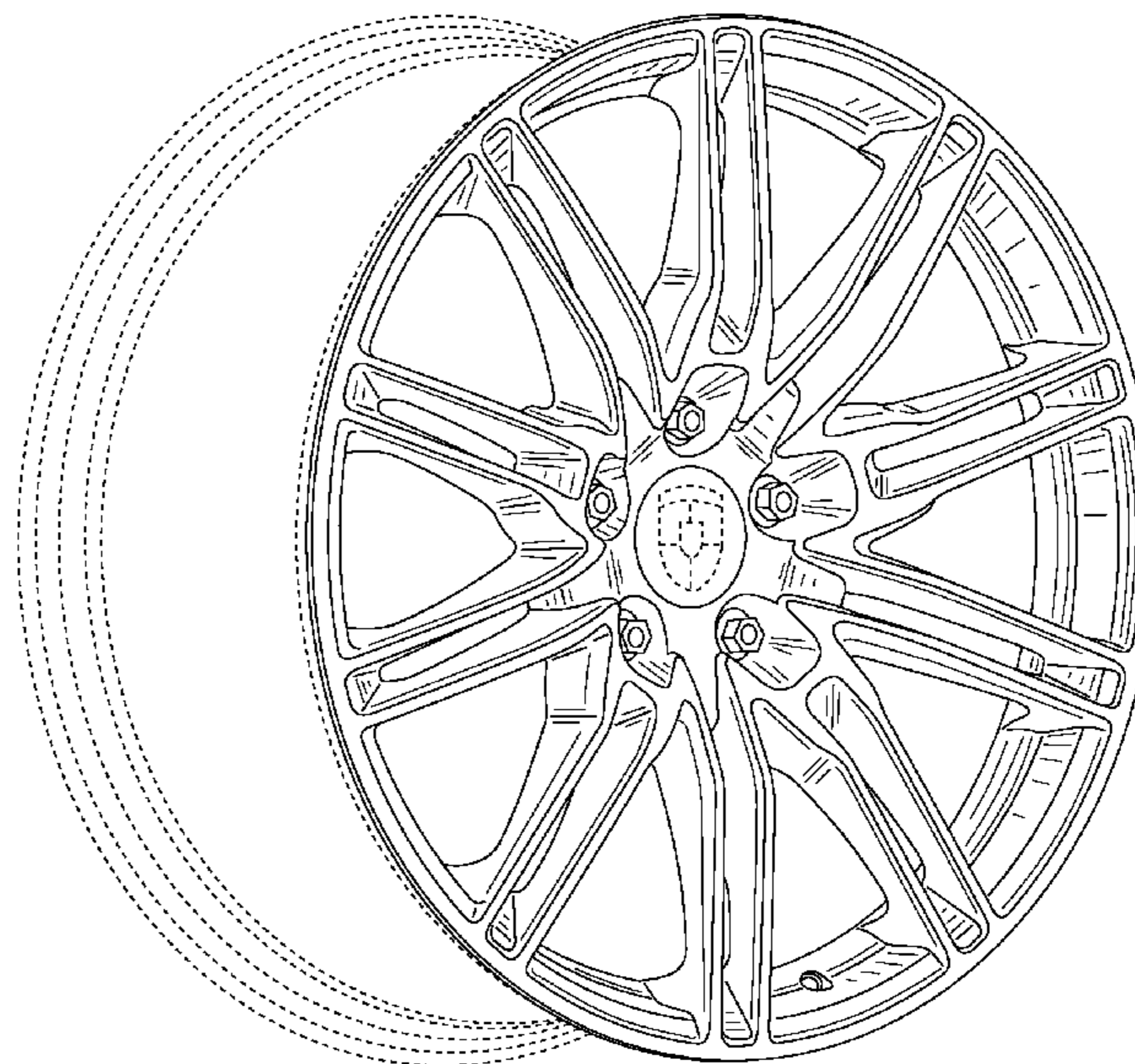
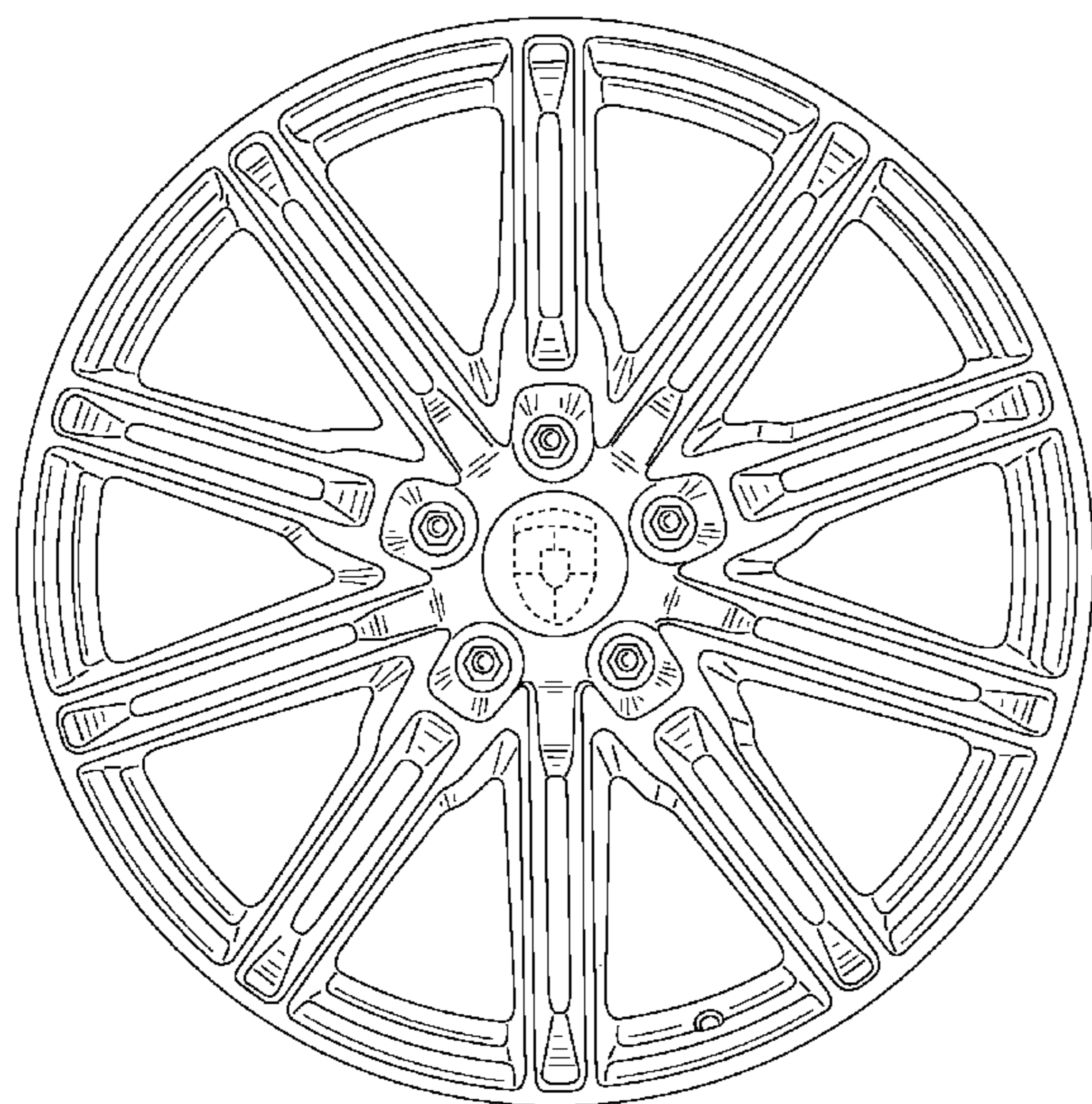
**DESCRIPTION**

FIG. 1 is a front elevational view of an automobile wheel, showing my new design; and,

FIG. 2 is a perspective view thereof.

The dashed lines in the figures of the drawing represent environmental structure and form no part of the claimed invention.

**1 Claim, 2 Drawing Sheets**



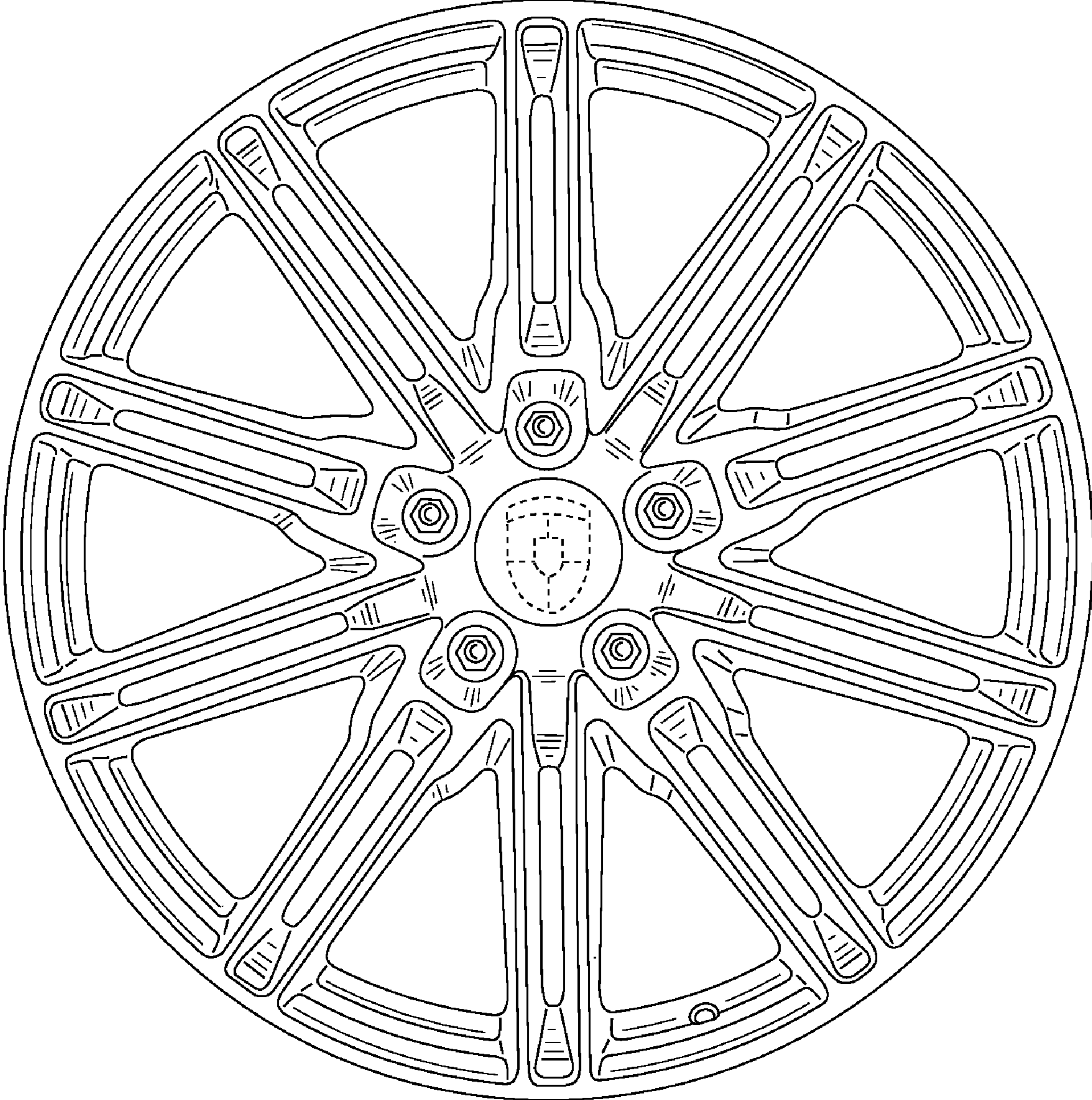


FIG. 1

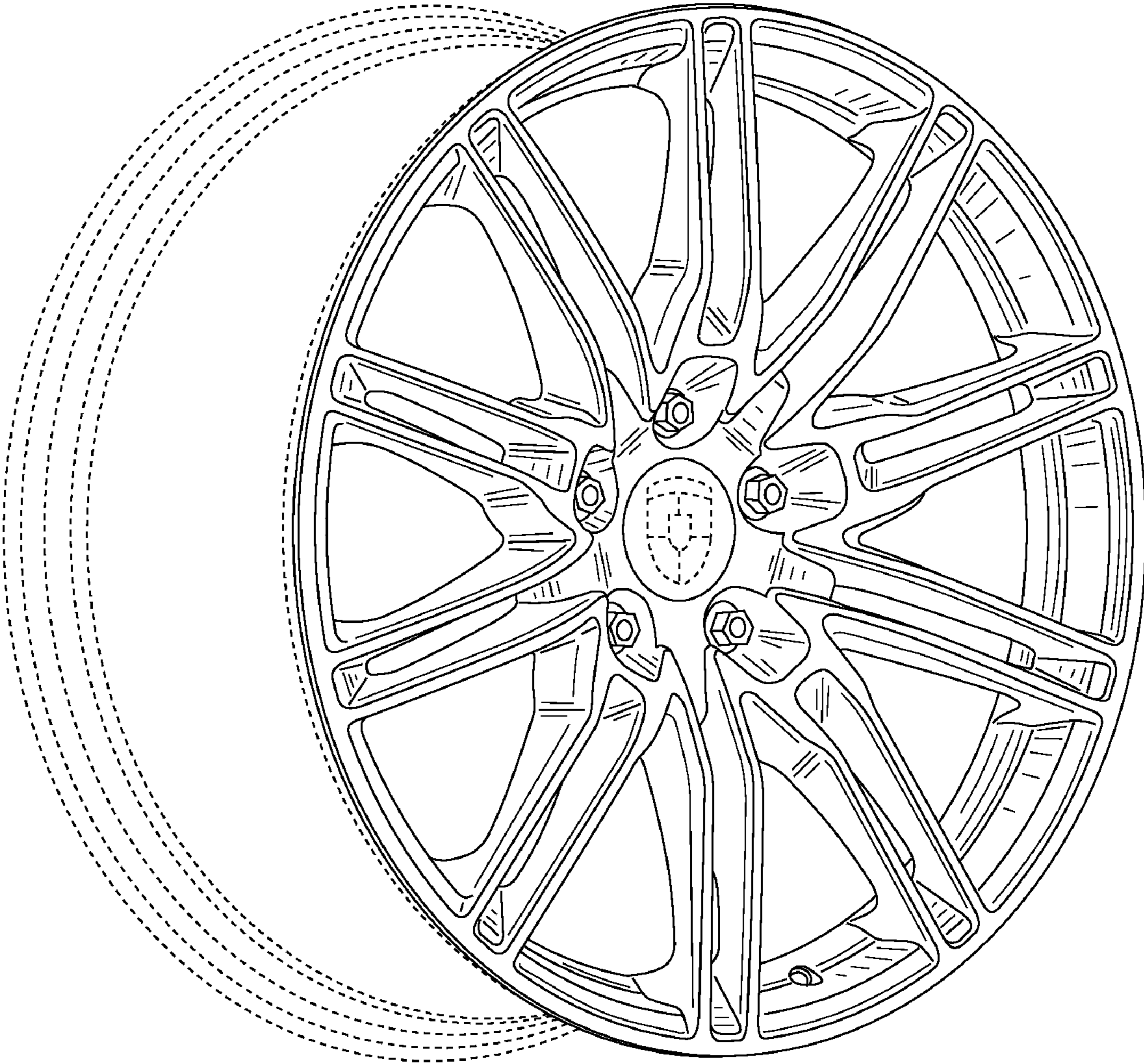


FIG. 2