



US00D617707S

(12) **United States Design Patent**  
**Lamm et al.**

(10) **Patent No.:** **US D617,707 S**  
(45) **Date of Patent:** **\*\* Jun. 15, 2010**

(54) **VEHICLE REAR SIDE DOOR**

(75) Inventors: **Stefan Lamm**, Köln (DE); **Murat Gueler**, Köln (DE)

(73) Assignee: **Ford Motor Company**, Dearborn, MI (US)

(\*\*) Term: **14 Years**

(21) Appl. No.: **29/344,525**

(22) Filed: **Sep. 30, 2009**

(51) **LOC (9) Cl.** ..... **12-16**

(52) **U.S. Cl.** ..... **D12/196**

(58) **Field of Classification Search** ..... D12/196,  
D12/90-92, 86; 296/181.1, 181.5  
See application file for complete search history.

(56) **References Cited**

**U.S. PATENT DOCUMENTS**

D418,471 S *	1/2000	Gabath	.....	D12/196
D467,849 S *	12/2002	Murkett	.....	D12/196
D479,170 S *	9/2003	Boyer	.....	D12/196
D491,859 S *	6/2004	Velazco	.....	D12/196
D491,860 S *	6/2004	Velazco	.....	D12/196
D500,973 S *	1/2005	Otto et al.	.....	D12/196
D511,128 S *	11/2005	Nagashima	.....	D12/196
D511,129 S *	11/2005	Nagashima	.....	D12/196
D555,559 S *	11/2007	Levy	.....	D12/196
D558,112 S *	12/2007	Leclercq et al.	.....	D12/196
D558,113 S *	12/2007	Leclercq et al.	.....	D12/196

**OTHER PUBLICATIONS**

Ford Focus 2.5 ST, Geneva Autoshow, Mar. 5, 2009, <http://www.facts.ford.com>.

Car Spy Photos, Mar. 26, 2009, <http://carsspyphotos.com/2011-ford-focus-3/>.

Spy Shots: Ford Verve mule spotted banging around in Australia, Jul. 4, 2009, <http://spbcar.ru/news/en/article/22761/>.

Next Generation 2011 Ford Focus Mule First Spy Photos, Aug. 28, 2009, <http://www.worldcarfans.com/109082821357/next-generation-2011-ford-focus-mule-first-spy-photos>.

\* cited by examiner

*Primary Examiner*—Melody N Brown

(74) *Attorney, Agent, or Firm*—Damian Porcari

(57) **CLAIM**

An ornamental design for a vehicle rear side door, as shown and described.

**DESCRIPTION**

FIG. 1 is a left side elevational view of a left vehicle rear side door (the right vehicle rear side door being a mirror image and is not shown);

FIG. 2 is a front elevational view of the vehicle rear side door;

FIG. 3 is a rear elevational view of the vehicle rear side door;

FIG. 4 is a top plan view of the vehicle rear side door;

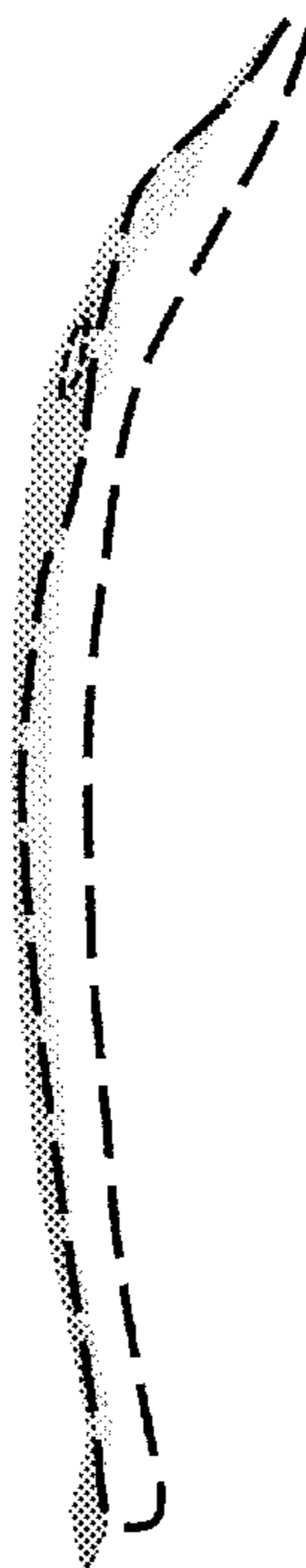
FIG. 5 is a bottom plan view of the vehicle rear side door;

FIG. 6 is a perspective view of the vehicle rear side door; and,

FIG. 7 is another perspective view of the vehicle rear side door.

The broken lines and surface members shown in faded lighter tones and enclosed in broken lines are for illustrative purpose only and form no part of the claimed design.

**1 Claim, 7 Drawing Sheets**



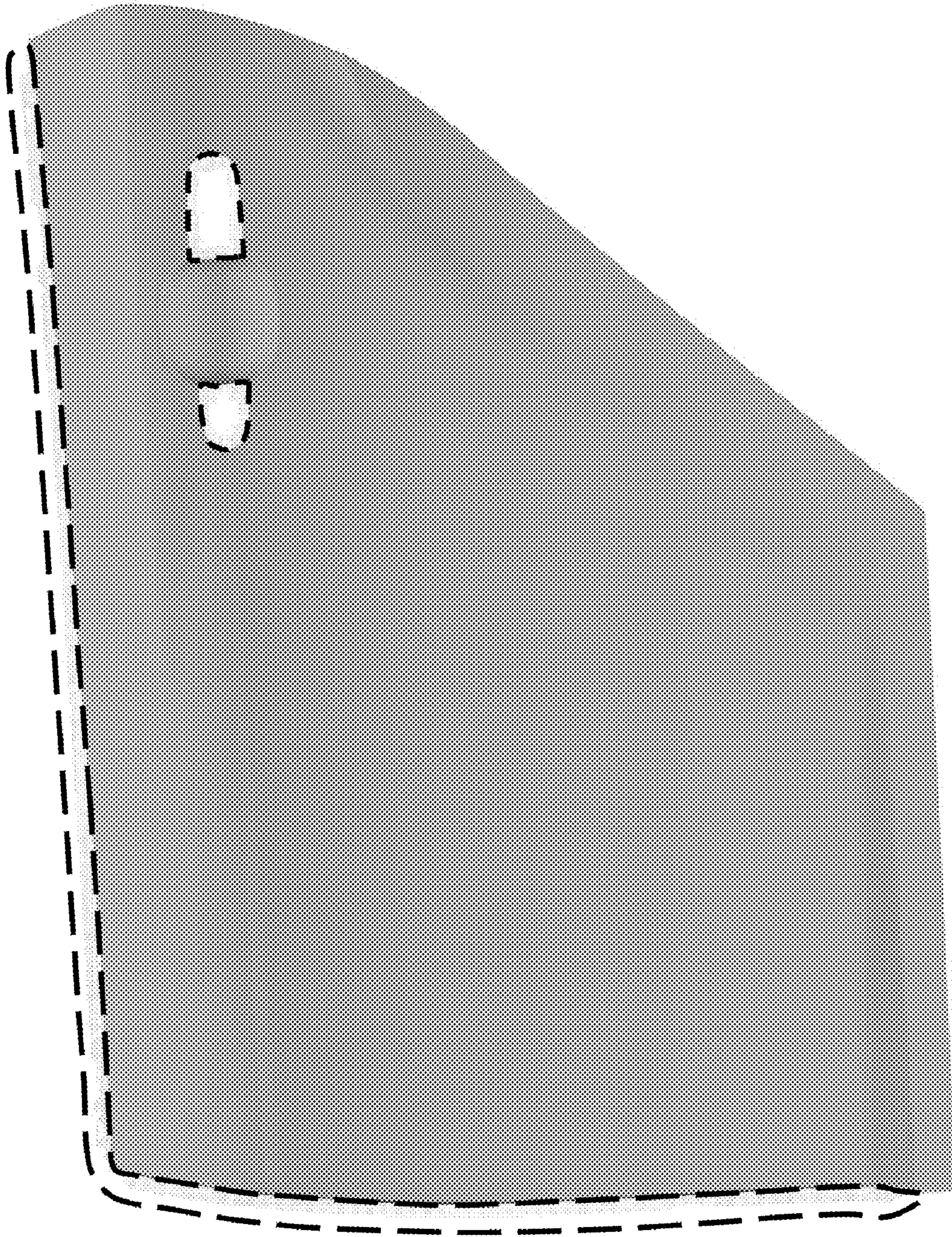
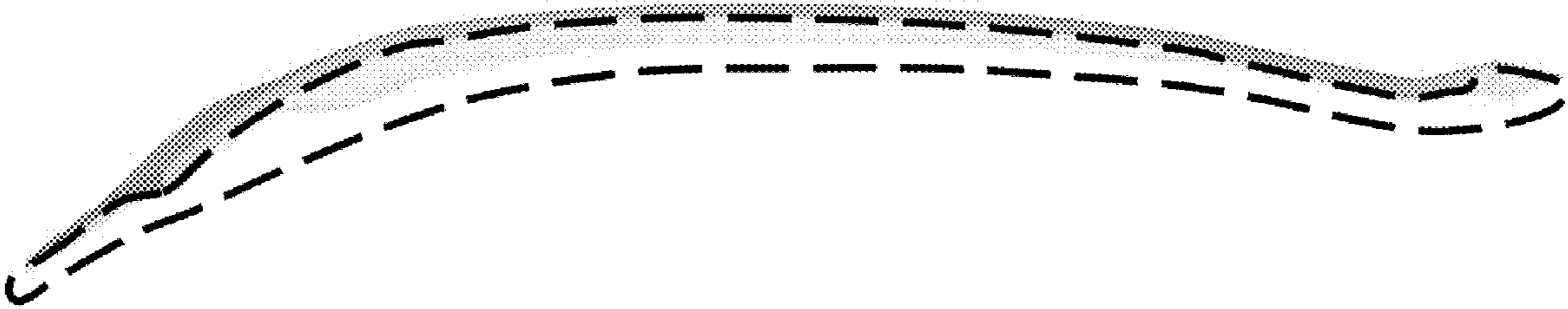


Figure 1

Figure 2



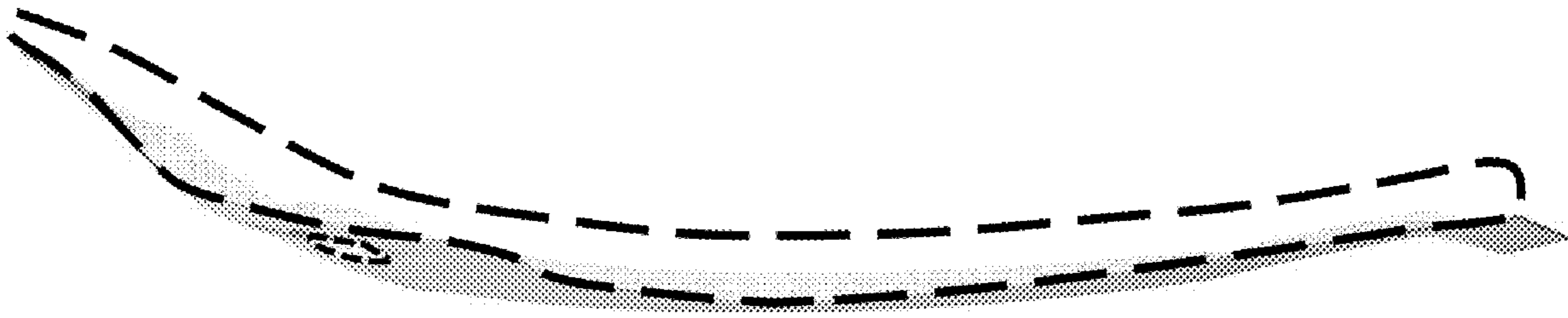


Figure 3

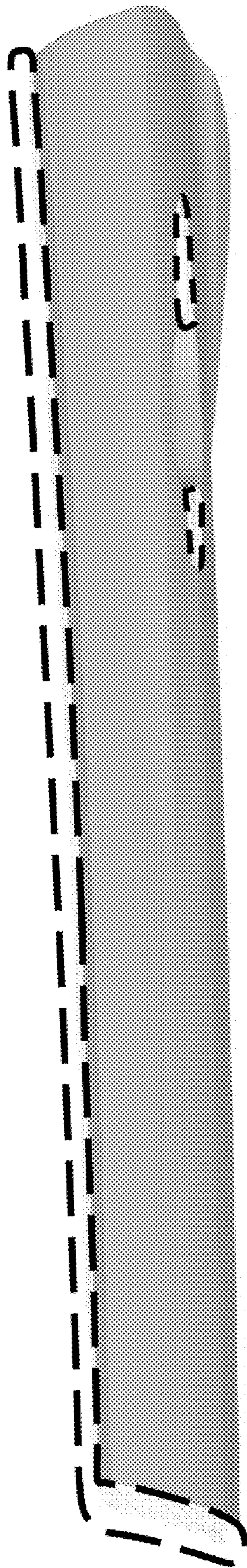


Figure 4

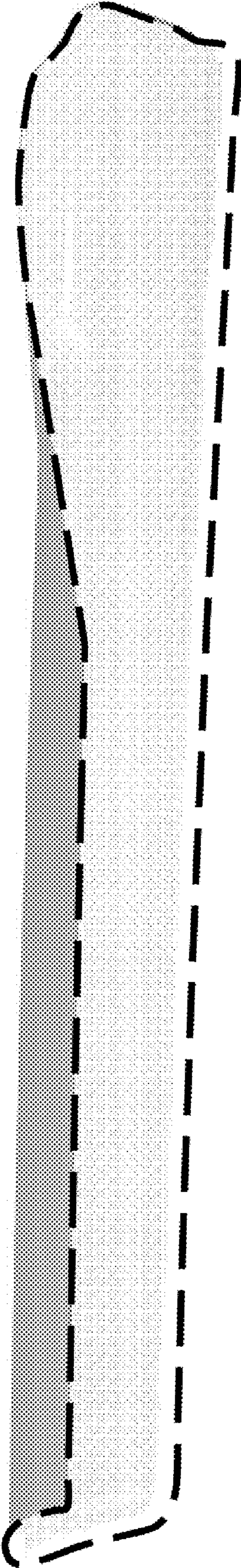
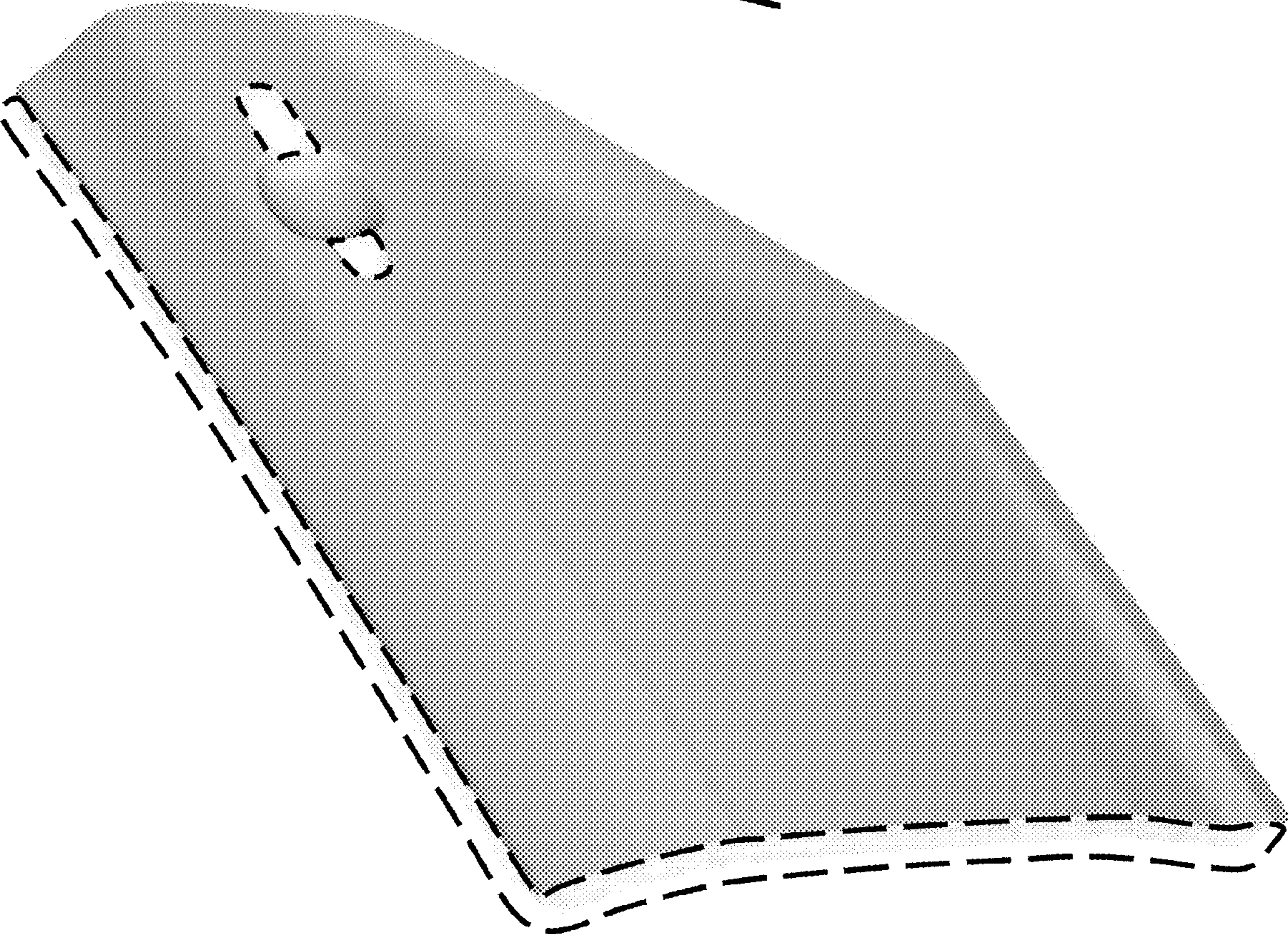


Figure 5

Figure 6



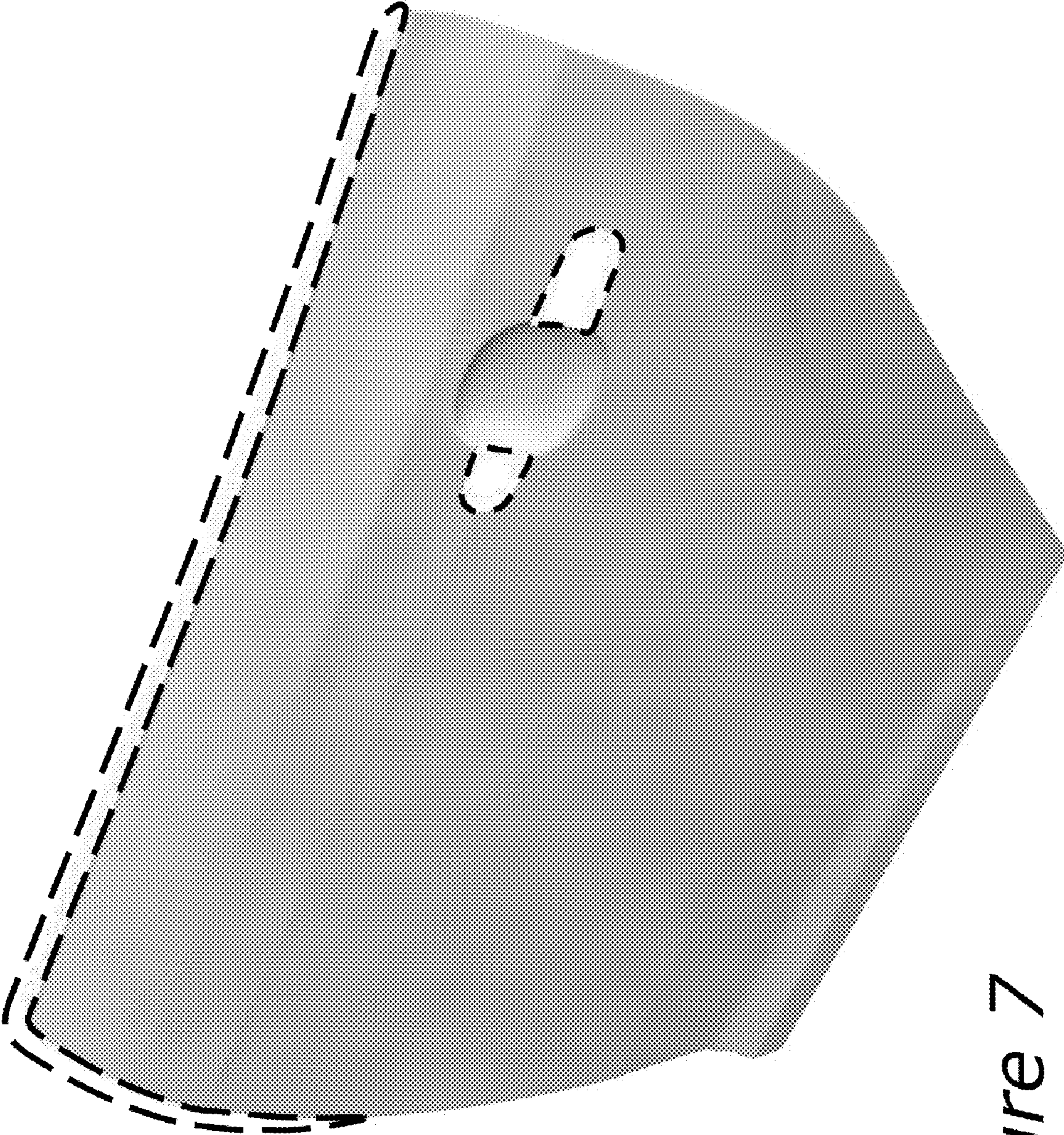


Figure 7