



US00D617705S

(12) **United States Design Patent**
Cunningham

(10) **Patent No.:** **US D617,705 S**
(45) **Date of Patent:** **** Jun. 15, 2010**

(54) **EXHAUST TIP**

(75) Inventor: **Roy Curtis Cunningham**, Belton, MO
(US)

(73) Assignee: **Carriage Works, Inc.**, Grandview, MO
(US)

(**) Term: **14 Years**

(21) Appl. No.: **29/338,223**

(22) Filed: **Jun. 8, 2009**

(51) **LOC (9) Cl.** **12-16**

(52) **U.S. Cl.** **D12/194**

(58) **Field of Classification Search** D12/194,
D12/190, 400, 114; D15/5; 280/152.1-152.3,
280/160.1, 304.3, 770, 848, 552; 181/239-243,
181/227, 249, 255, 228, 247, 252, 284; 60/323,
60/276, 272; 123/41.73, 41.7, 184.34, 184.36
See application file for complete search history.

(56) **References Cited**

U.S. PATENT DOCUMENTS

6,336,471 B1 * 1/2002 Feuling 138/39
D490,036 S * 5/2004 Cho D12/194
6,810,992 B1 * 11/2004 Lombardo 181/227
7,007,720 B1 * 3/2006 Chase et al. 138/110
D558,111 S * 12/2007 Banks, III D12/194

D575,213 S * 8/2008 Kryssing et al. D12/194
D578,050 S * 10/2008 Hsu D12/194
7,464,787 B2 * 12/2008 Davis, Jr. 181/227
7,506,722 B2 * 3/2009 Emler 181/249
2005/0161283 A1 * 7/2005 Emler 181/249
2007/0181362 A1 * 8/2007 Champney et al. 181/227

* cited by examiner

Primary Examiner—Robert M Spear

Assistant Examiner—Cynthia Underwood

(74) *Attorney, Agent, or Firm*—Shook, Hardy & Bacon LLP

(57) **CLAIM**

The ornamental design for an exhaust tip, as shown and described.

DESCRIPTION

FIG. 1 is a perspective view of an exhaust tip showing the new design;

FIG. 2 is a front side elevational view thereof, a back side elevational view thereof being a mirror image thereof;

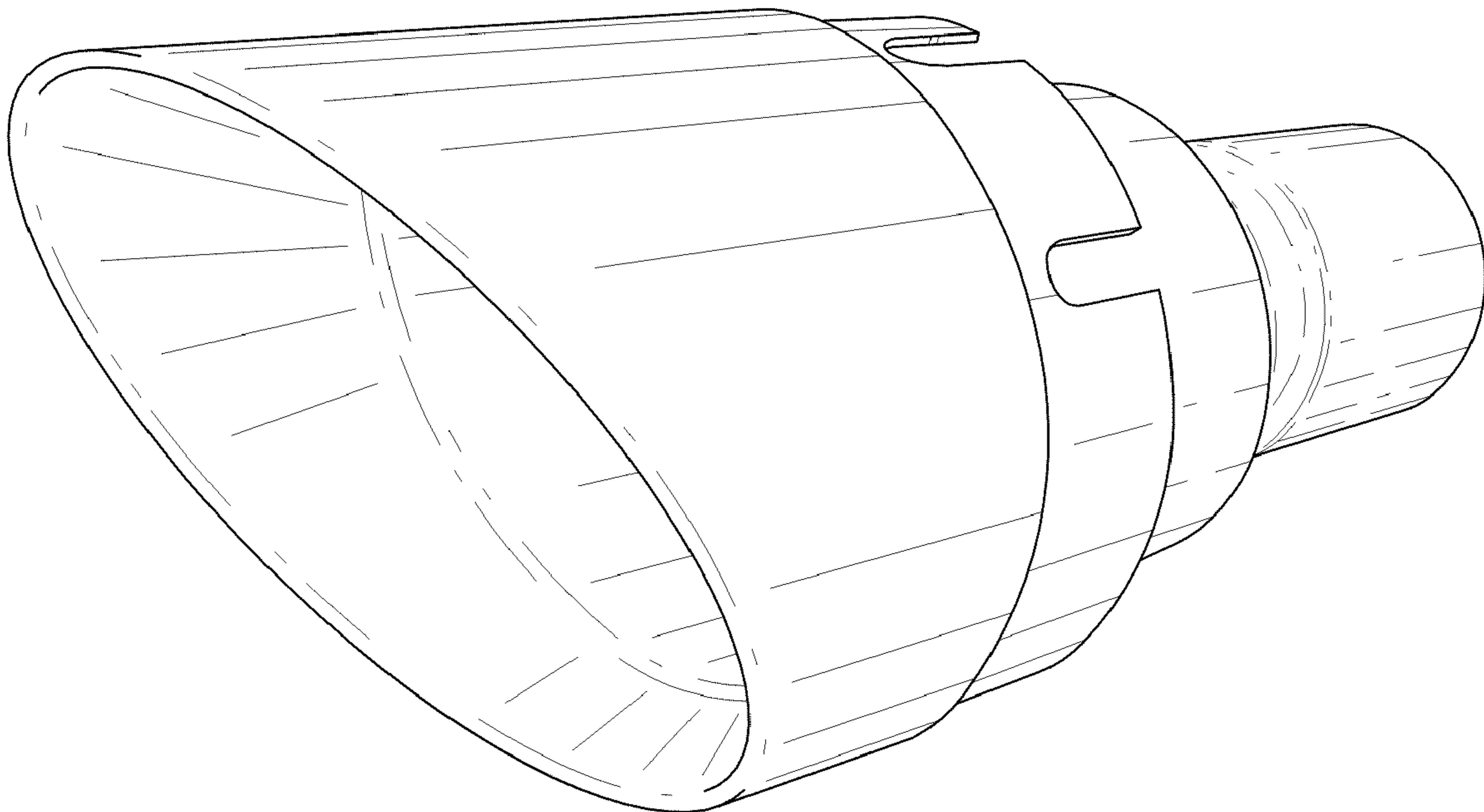
FIG. 3 is top plan view thereof;

FIG. 4 is a bottom plan view thereof;

FIG. 5 is a right side elevational view thereof; and,

FIG. 6 is a left side elevational view thereof.

1 Claim, 3 Drawing Sheets



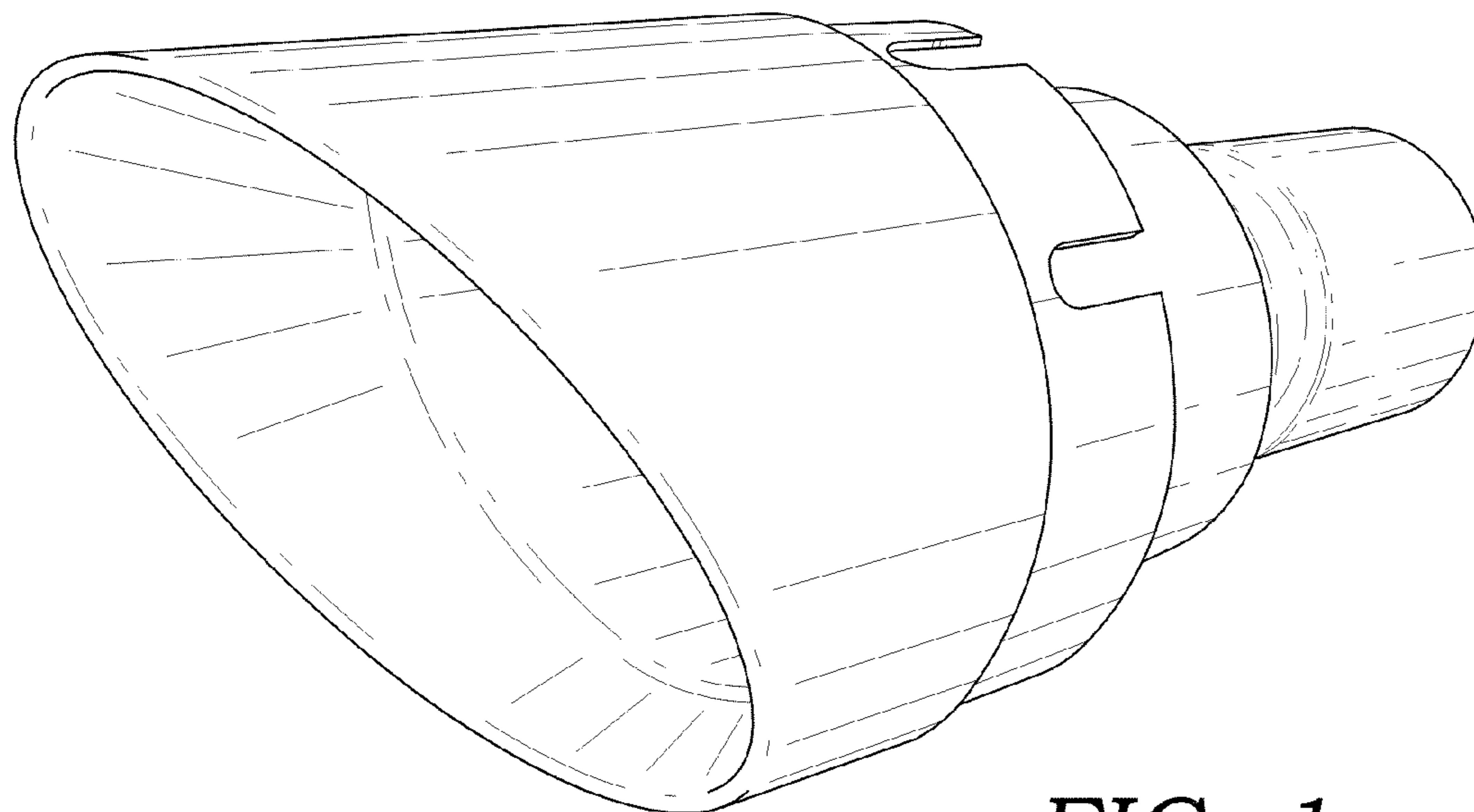


FIG. 1.

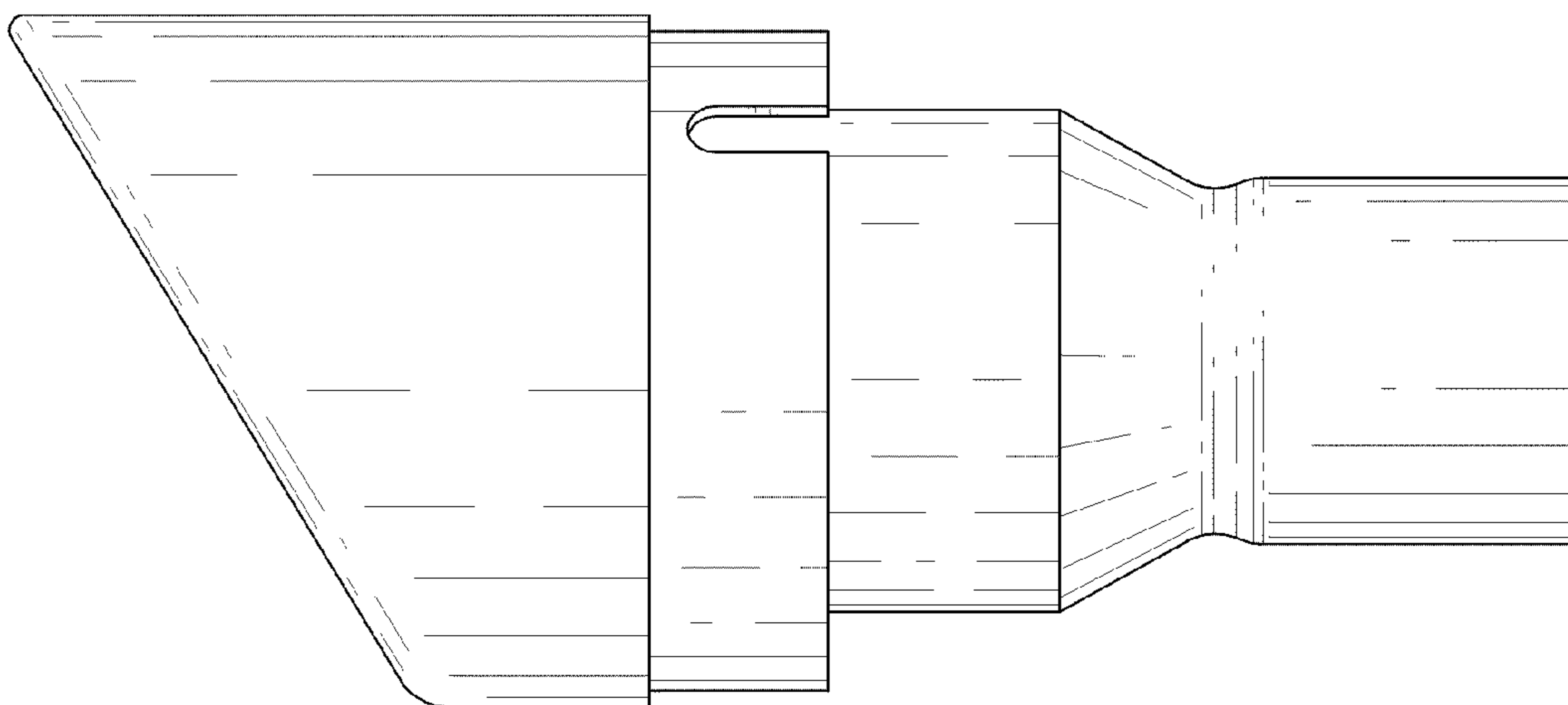


FIG. 2.

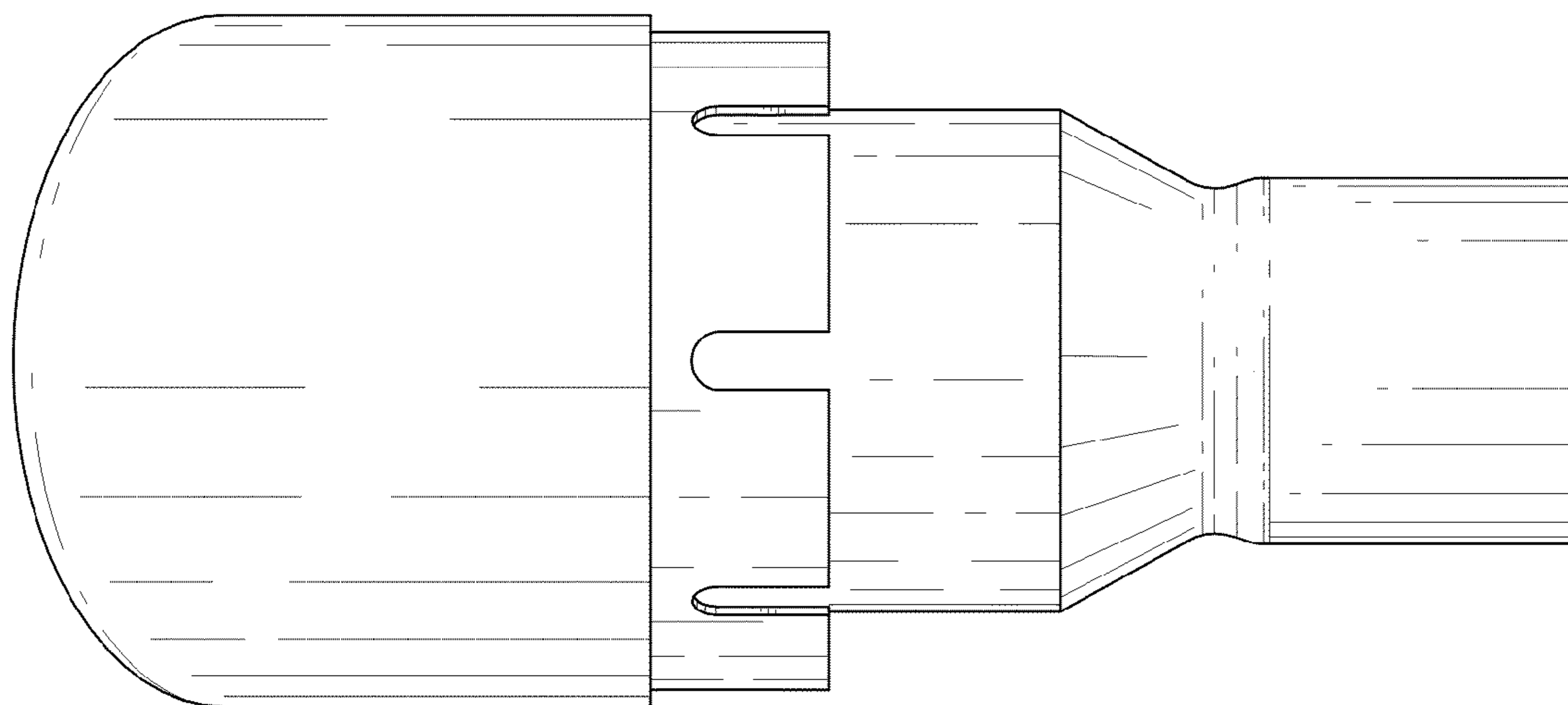


FIG. 3.

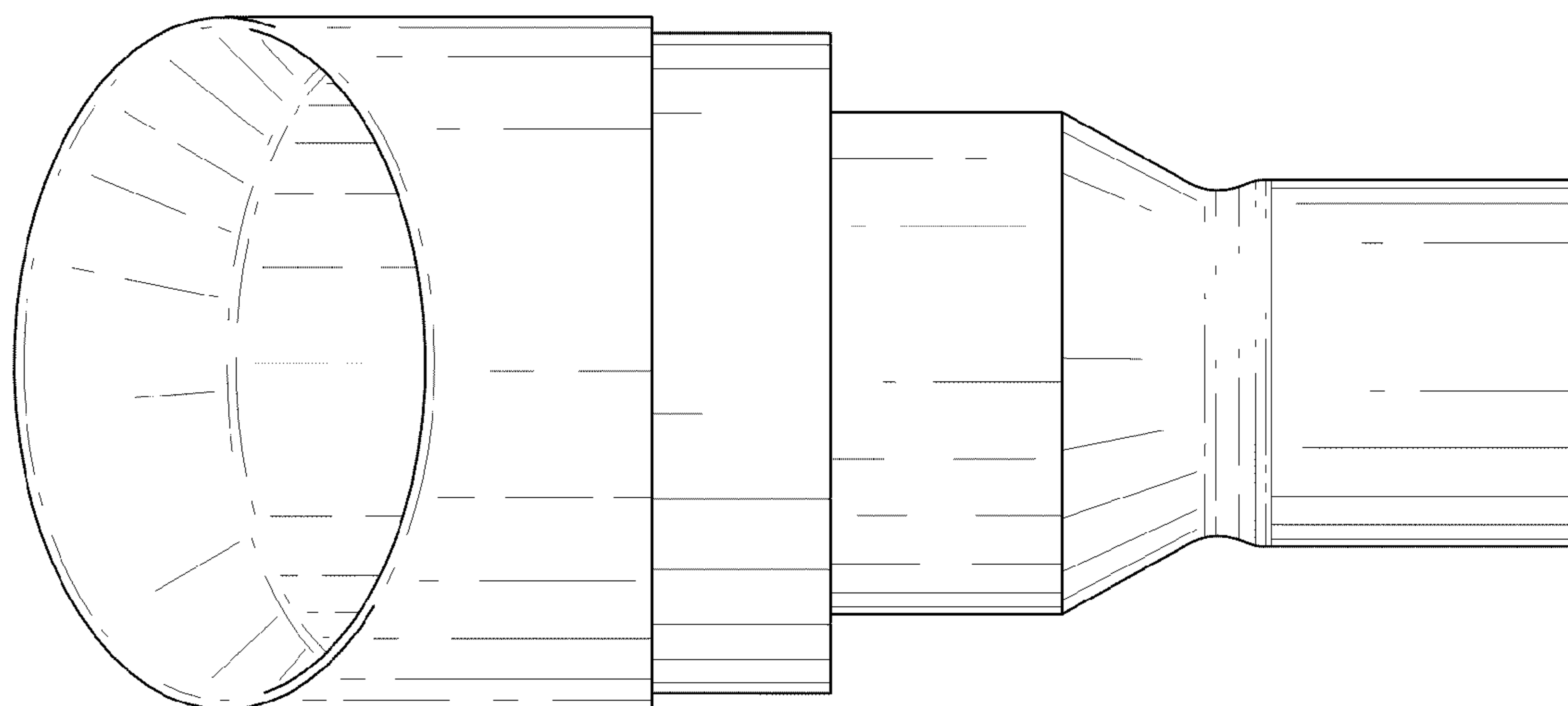


FIG. 4.

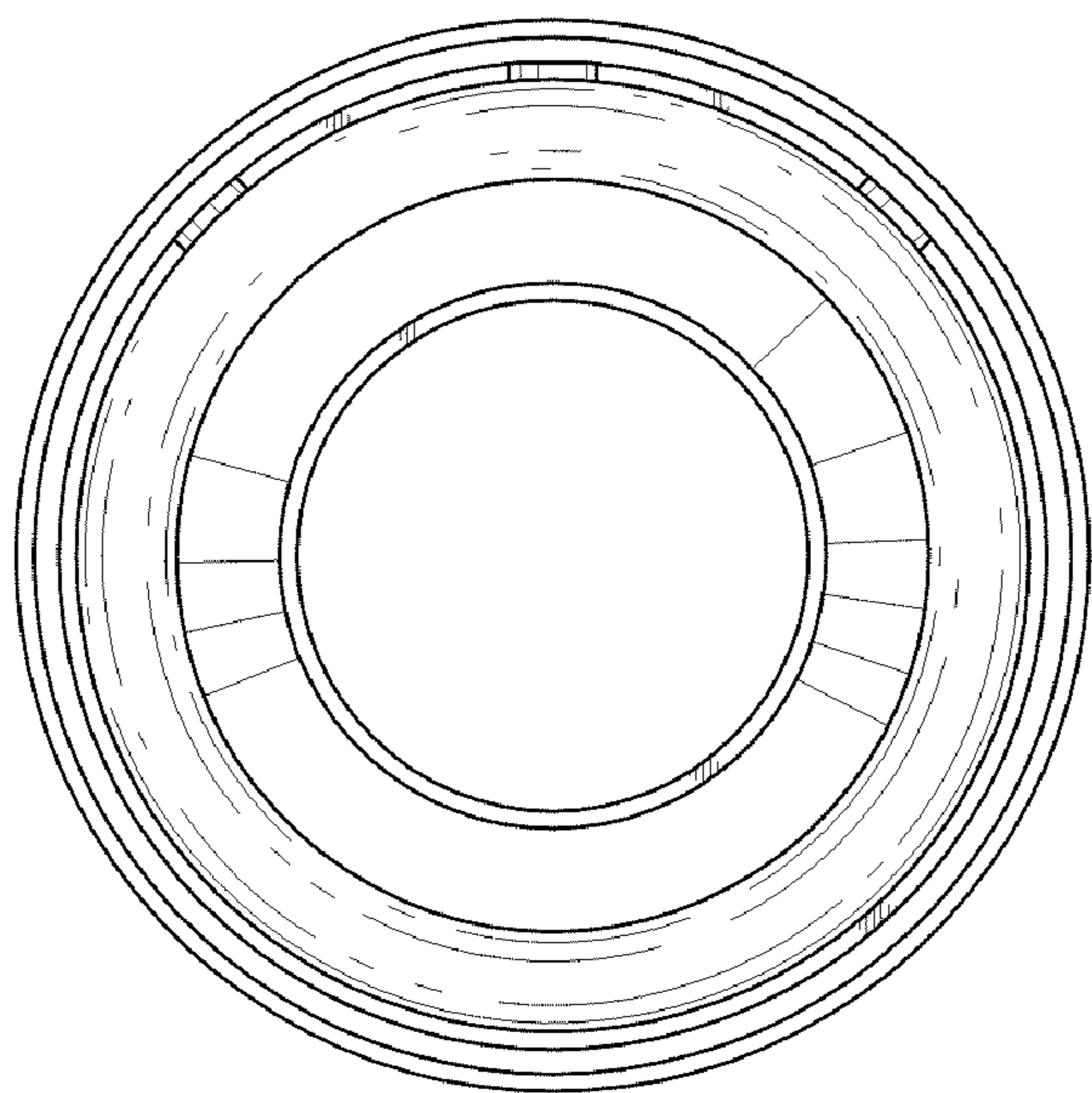


FIG. 5.

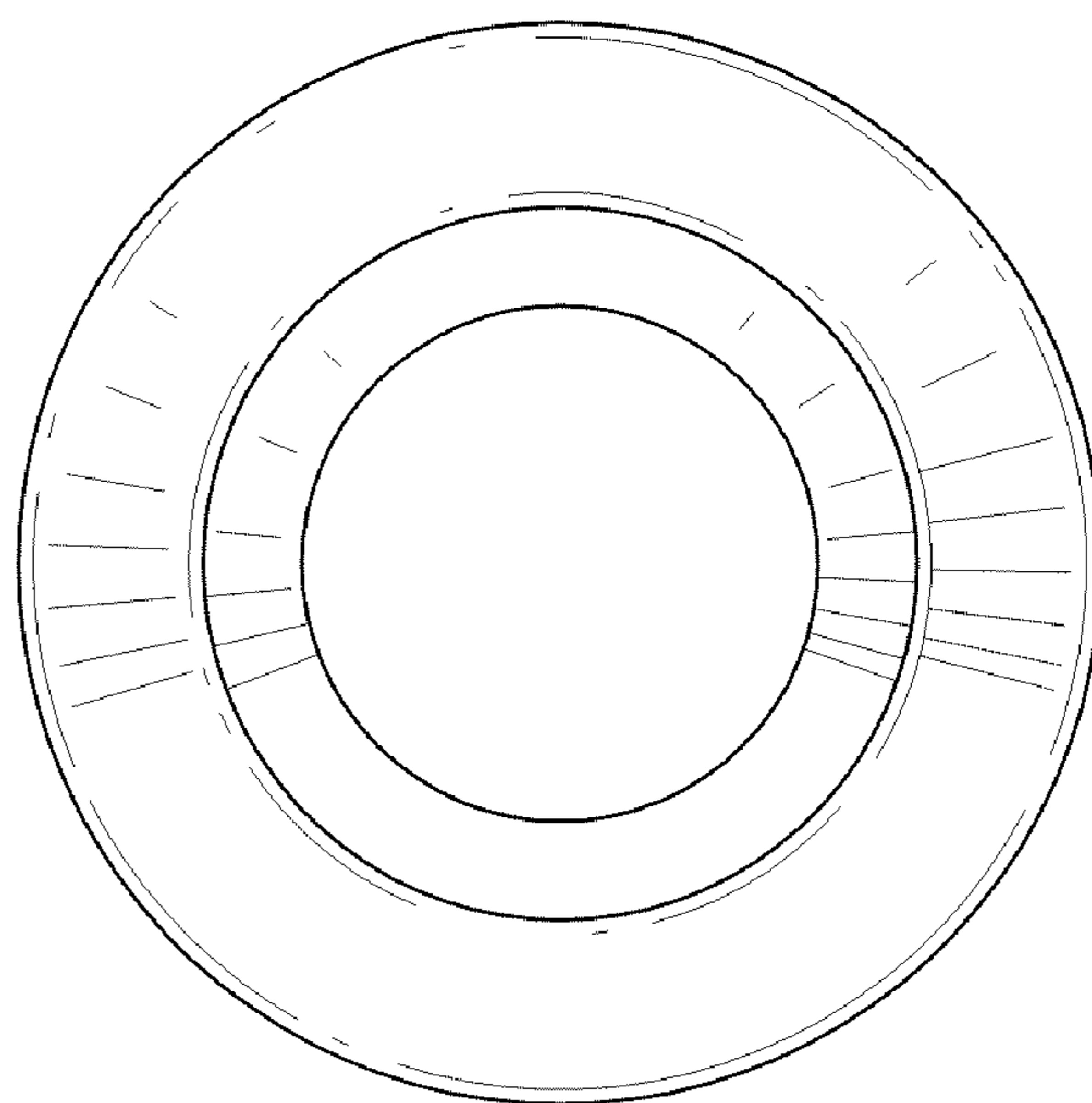


FIG. 6.