



US00D617701S

(12) **United States Design Patent**
Murakawa

(10) **Patent No.:** **US D617,701 S**
(45) **Date of Patent:** **** Jun. 15, 2010**

(54) **REAR BUMPER FOR AN AUTOMOBILE**

D610,500 S * 2/2010 Kulla et al. D12/169
D613,215 S * 4/2010 Elliott et al. D12/169

(75) Inventor: **Atsushi Murakawa**, Wako (JP)

* cited by examiner

(73) Assignee: **Honda Motor Co., Ltd.**, Tokyo (JP)

Primary Examiner—Melody N Brown
(74) *Attorney, Agent, or Firm*—Westerman, Hattori, Daniels & Adrian, LLP

(**) Term: **14 Years**

(21) Appl. No.: **29/354,755**

(22) Filed: **Jan. 28, 2010**

(57) **CLAIM**

(30) **Foreign Application Priority Data**

The ornamental design for, a rear bumper for an automobile, as shown and described.

Aug. 13, 2009 (JP) 2009-018651

DESCRIPTION

(51) **LOC (9) Cl.** **12-16**

FIG. 1 is a perspective view of A rear bumper for an automobile showing our new design;

(52) **U.S. Cl.** **D12/169**

FIG. 2 is a front elevation view thereof;

(58) **Field of Classification Search** D12/169,

FIG. 3 is a top plan view thereof;

D12/196, 171, 163, 216, 90-92, 86; 293/102,
293/113, 115, 117, 120; 296/180.1, 180.2

FIG. 4 is a right side elevation view thereof; and,

See application file for complete search history.

FIG. 5 is a left side elevation view thereof.

(56) **References Cited**

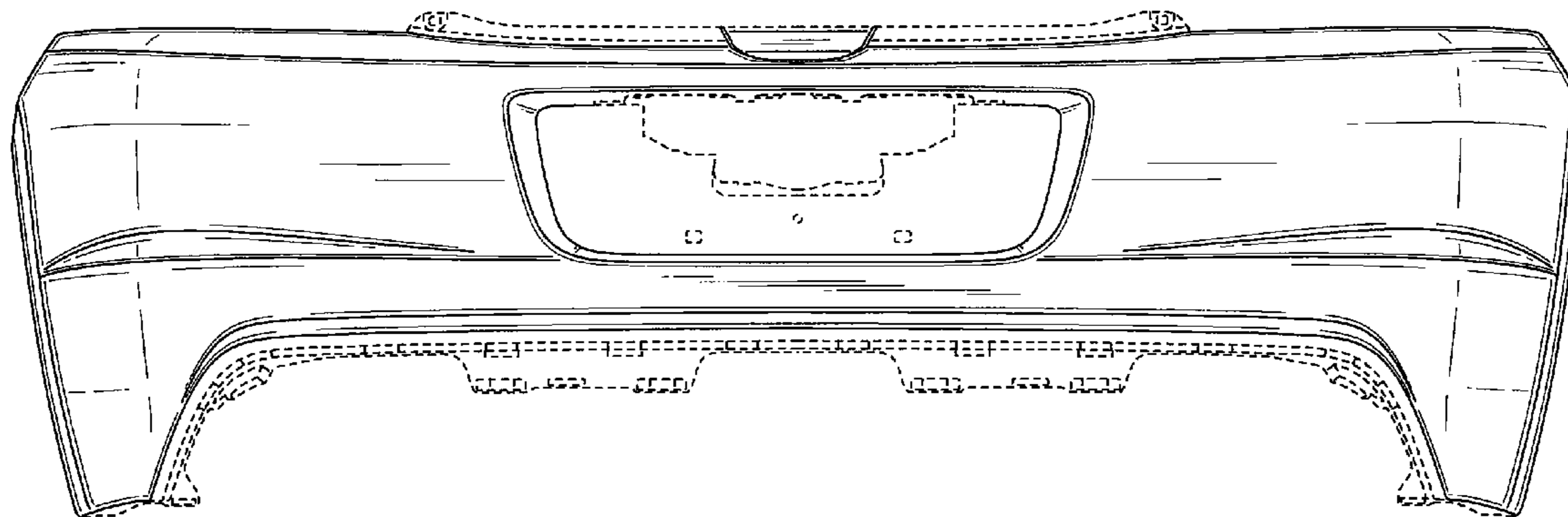
The broken lines are for illustrative purposes only and form no part of the claimed design.

U.S. PATENT DOCUMENTS

D605,097 S * 12/2009 Mueller D12/169

D606,911 S * 12/2009 Sahs D12/169

1 Claim, 5 Drawing Sheets



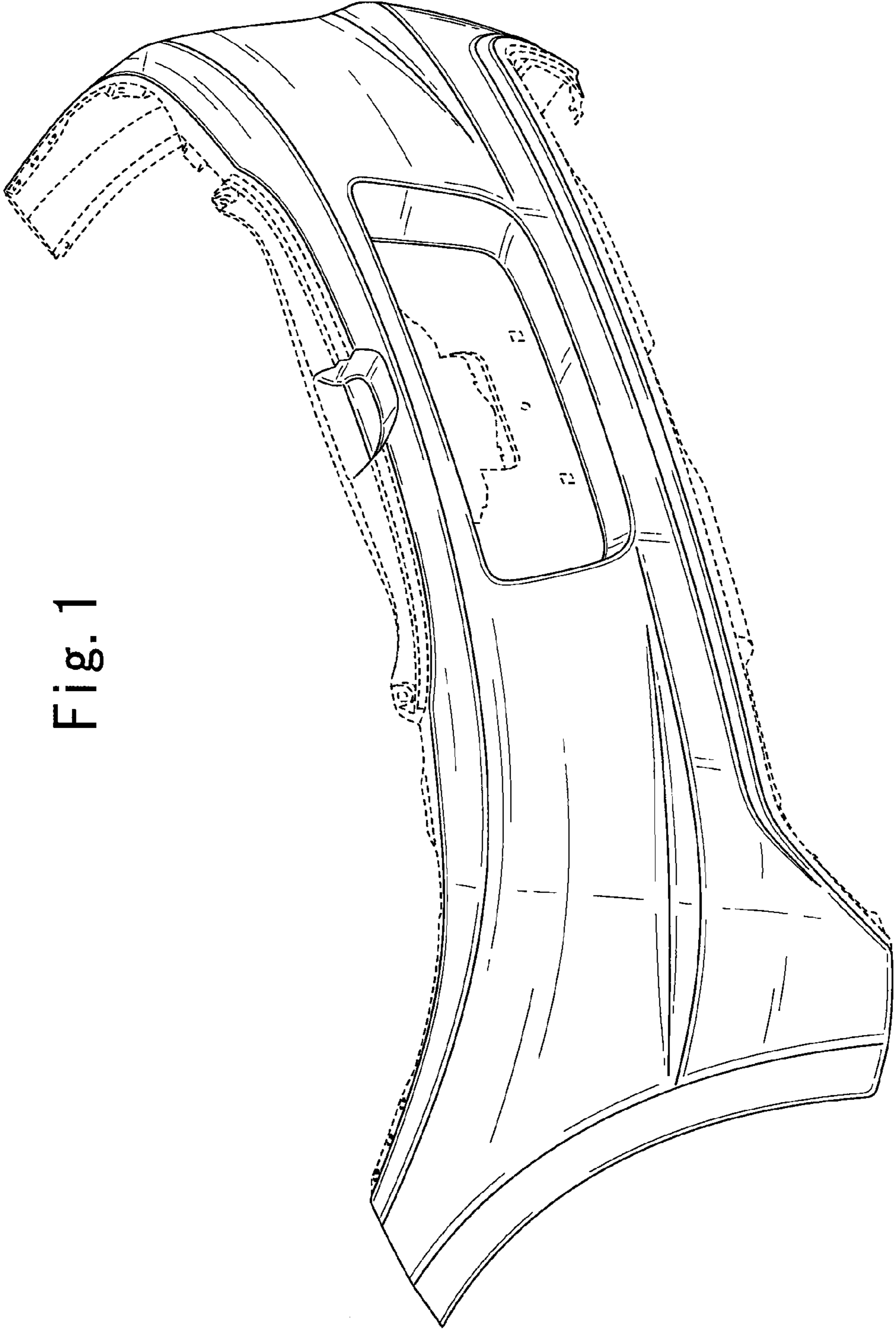


Fig. 1

Fig. 2

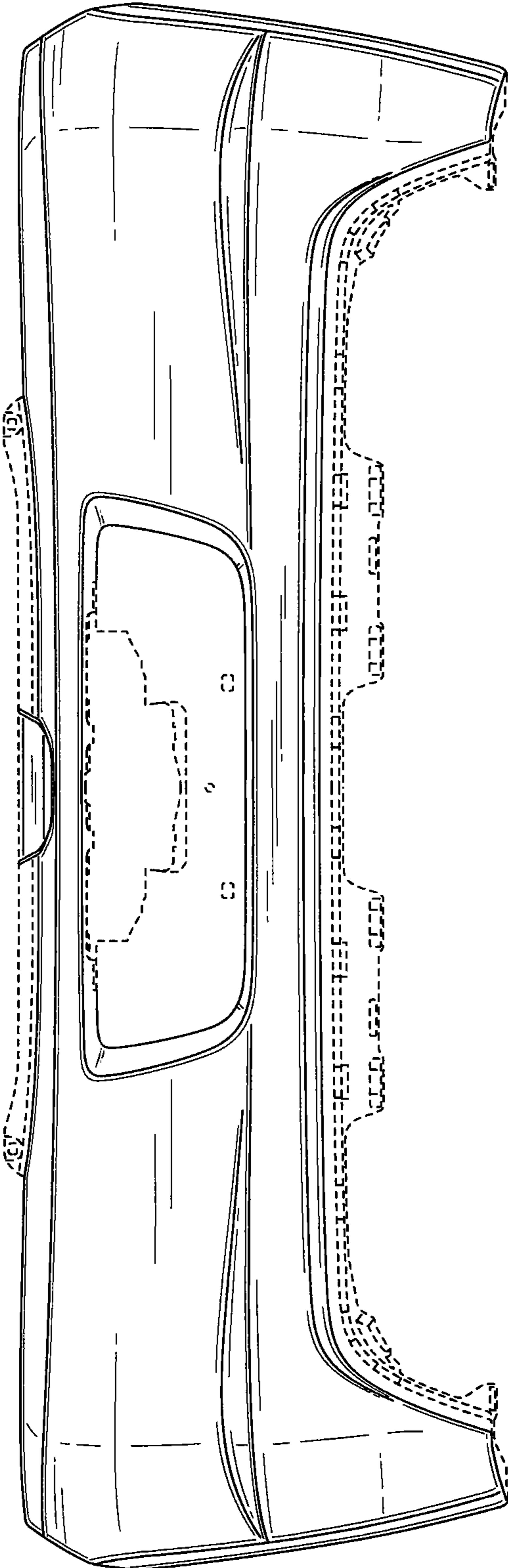


Fig. 3

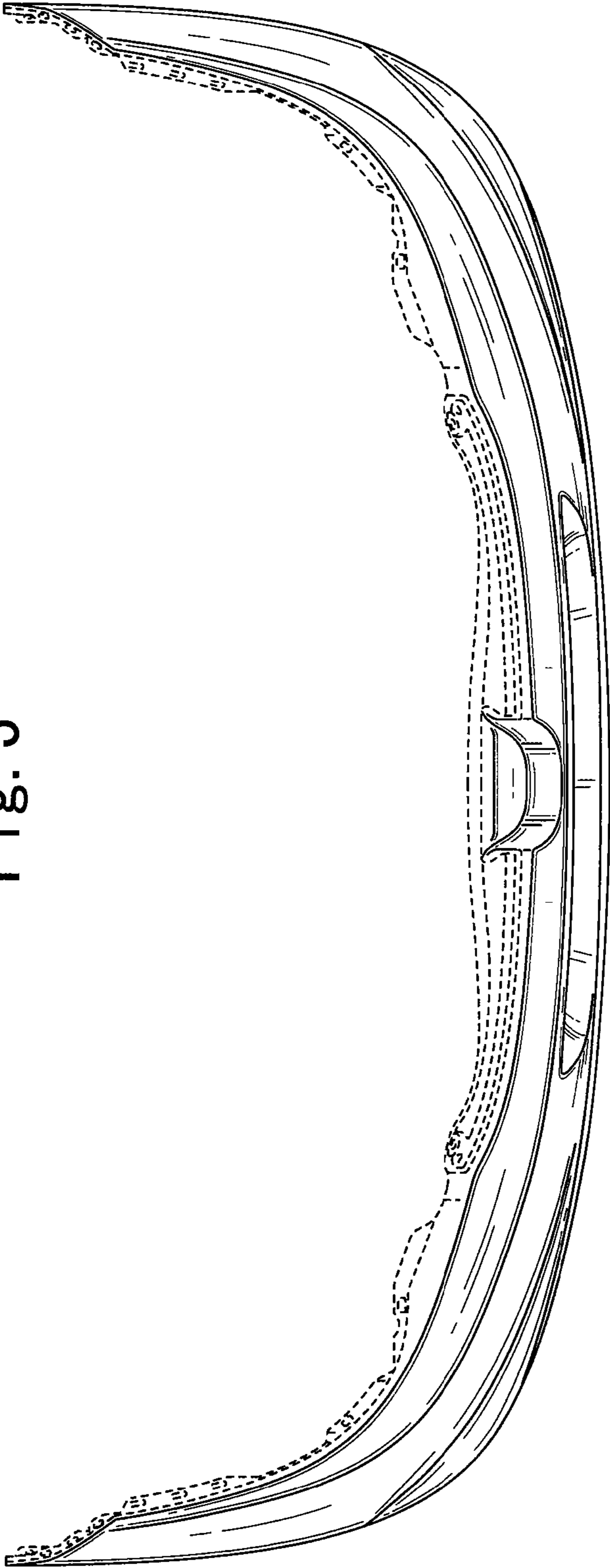


Fig. 4

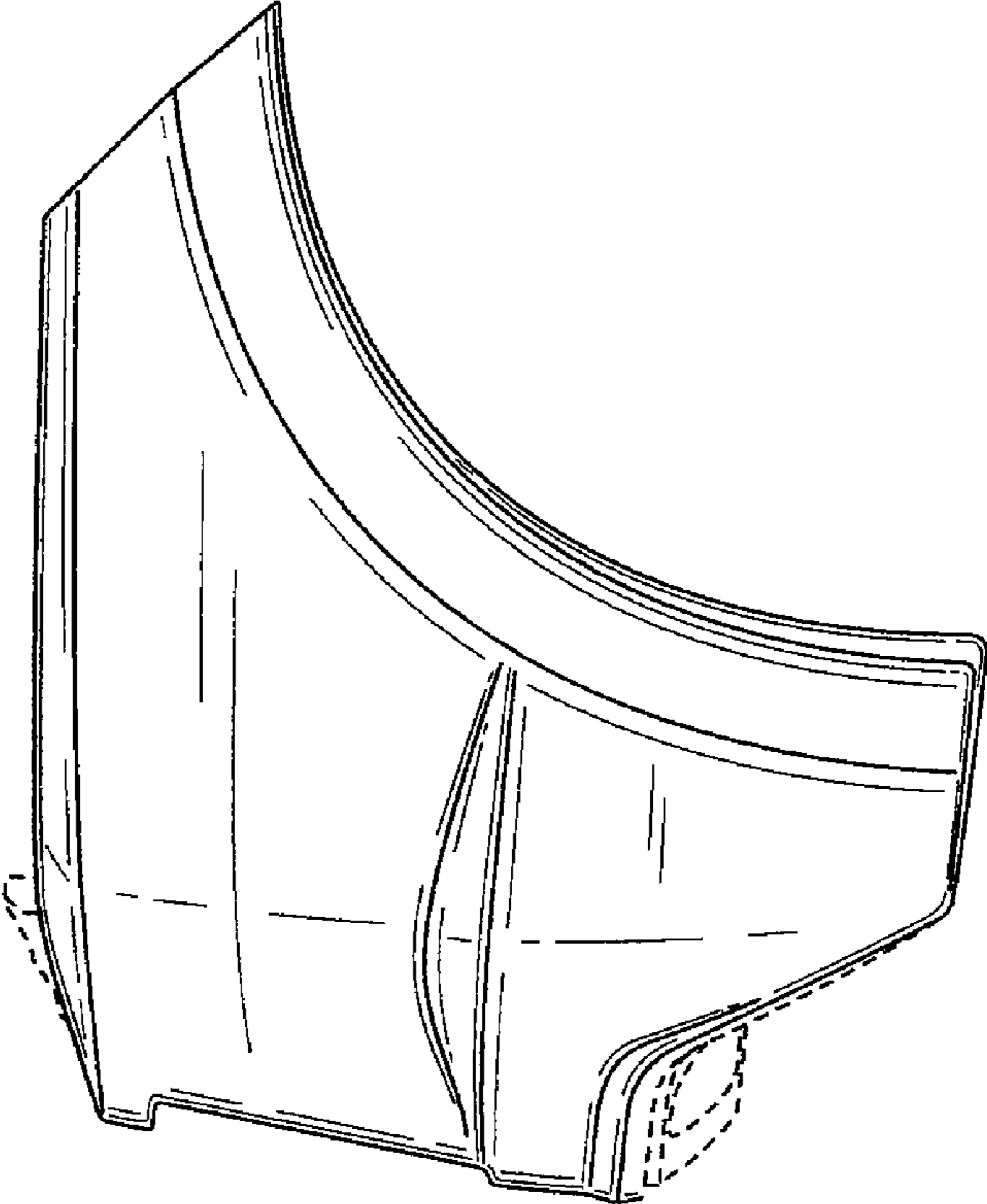


Fig. 5

