



US00D617693S

(12) **United States Design Patent**  
**Klobe**

(10) **Patent No.:** **US D617,693 S**  
(45) **Date of Patent:** **\*\* Jun. 15, 2010**

(54) **COMBINED AUTOMOBILE GRILL AND ELECTRIC GENERATORS**

7,211,905 B1 5/2007 McDavid, Jr.  
D562,740 S \* 2/2008 Ogawa et al. .... D12/163

(76) **Inventor:** **James A. Klobe**, 5012 W. 56th St.,  
Edina, MN (US) 55436

FOREIGN PATENT DOCUMENTS

JP 356142715 A 11/1981  
JP 357037078 A 3/1982

(\*\*) **Term:** **14 Years**

\* cited by examiner

(21) **Appl. No.:** **29/313,758**

*Primary Examiner*—Susan Bennett Hattan  
*Assistant Examiner*—Barbara B Lohr

(22) **Filed:** **Feb. 9, 2009**

(57) **CLAIM**

(51) **LOC (9) Cl.** ..... **12-16**

(52) **U.S. Cl.** ..... **D12/163**

(58) **Field of Classification Search** ..... D12/90,  
D12/91, 92, 163, 169, 171, 196, 216; 180/68.1,  
180/68.6, 69.21; 296/193.11; 293/102, 103,  
293/113, 115

I claim the ornamental design for a combined automobile grill and electric generators, as shown and described.

See application file for complete search history.

**DESCRIPTION**

(56) **References Cited**

U.S. PATENT DOCUMENTS

5,415,134 A 5/1995 Stewart, Jr.  
5,986,429 A 11/1999 Mula, Jr.  
D433,655 S \* 11/2000 Sacco et al. .... D12/163  
6,700,215 B2 3/2004 Wu  
D498,187 S \* 11/2004 Platto et al. .... D12/163  
6,882,059 B1 4/2005 DePaoli  
7,147,069 B2 12/2006 Maberry

FIG. 1 is a front elevational view of a combined automobile grill and electric generators;

FIG. 2 is a rear elevational view thereof;

FIG. 3 is a top plan view of the right side thereof;

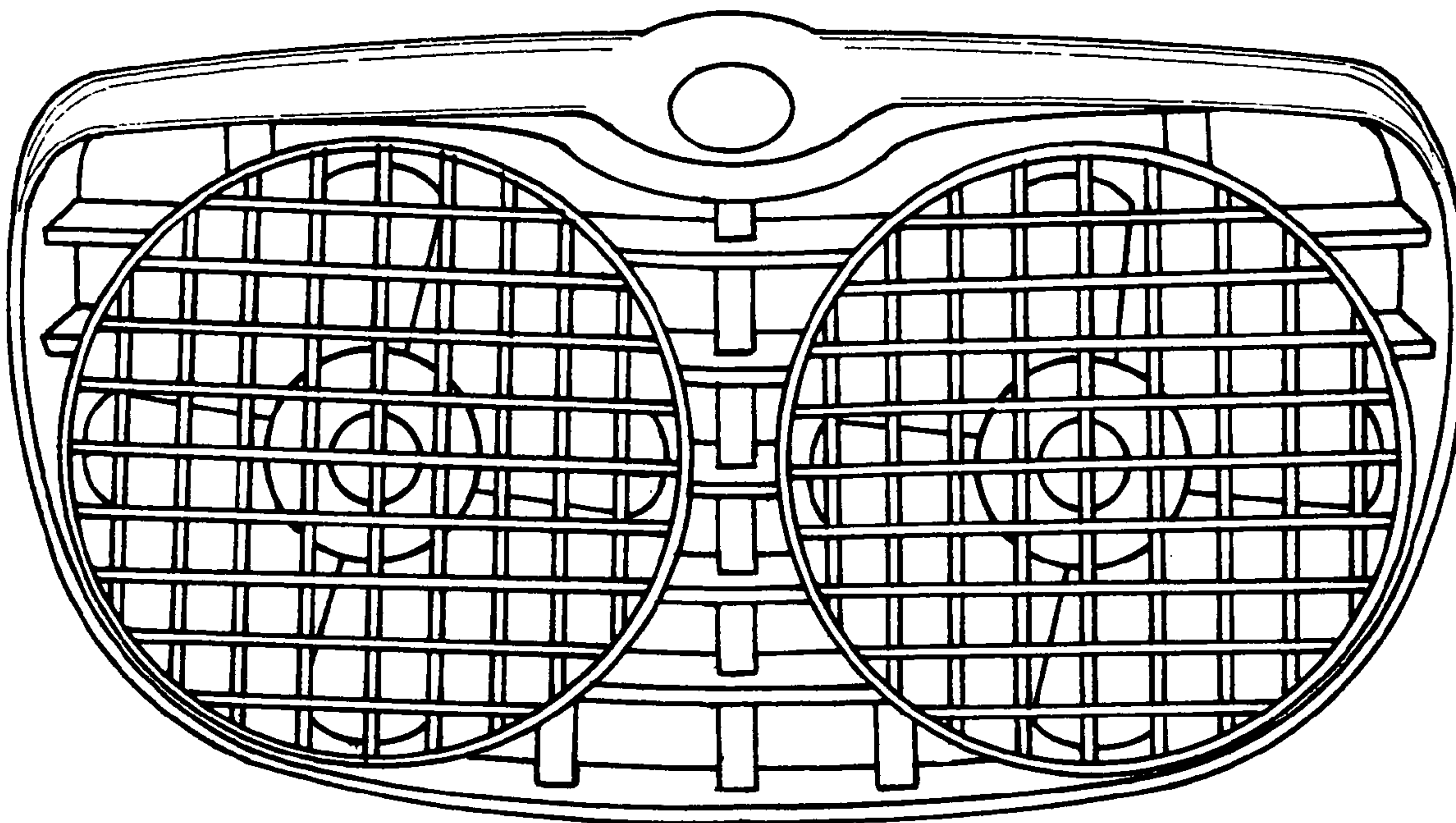
FIG. 4 is a bottom plan view of the left side thereof;

FIG. 5 is a side elevational view thereof; and,

FIG. 6 is a side elevational view thereof.

The broken line drawing is for environmental purposes and does not form part of the claimed design.

**1 Claim, 2 Drawing Sheets**



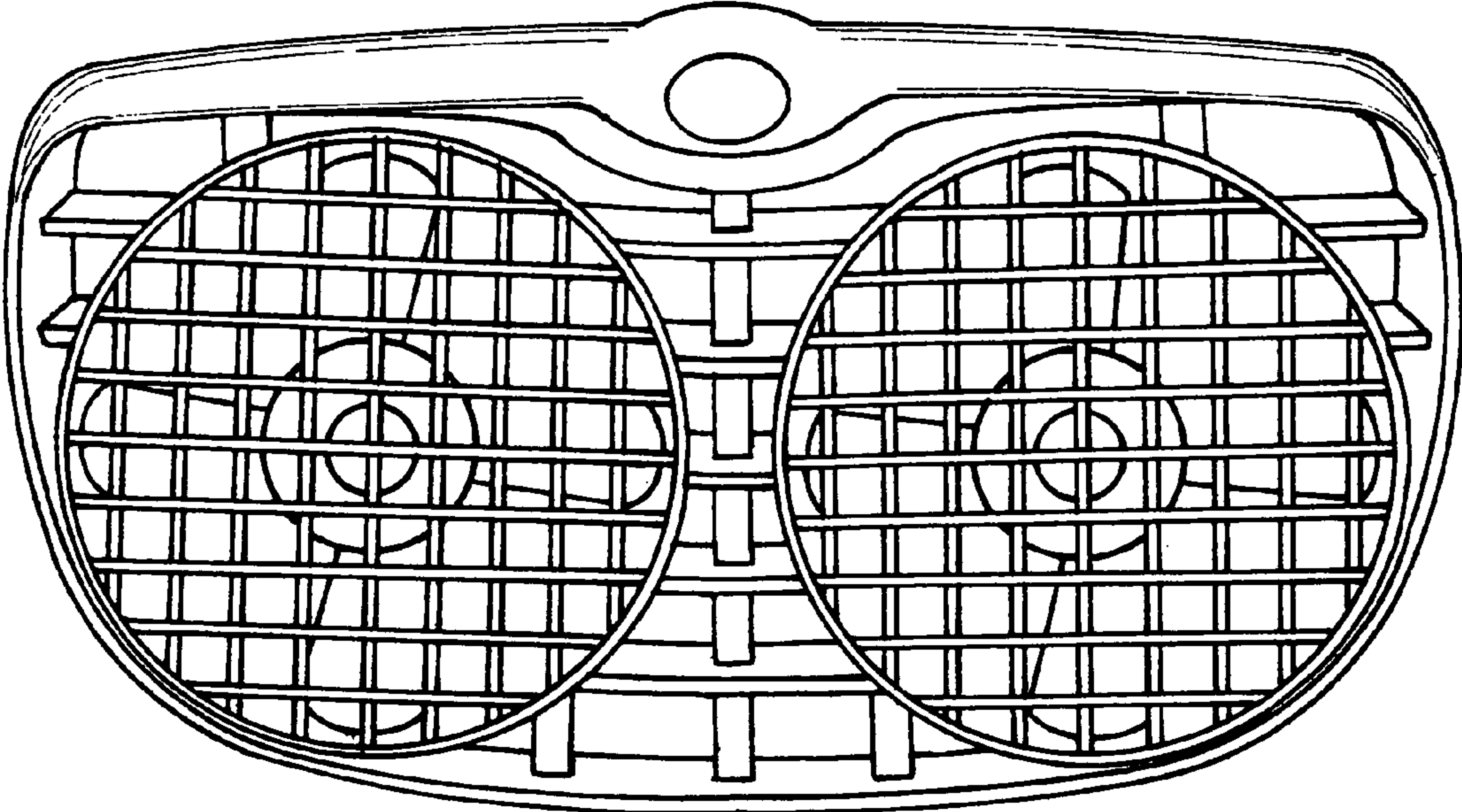


FIG.1

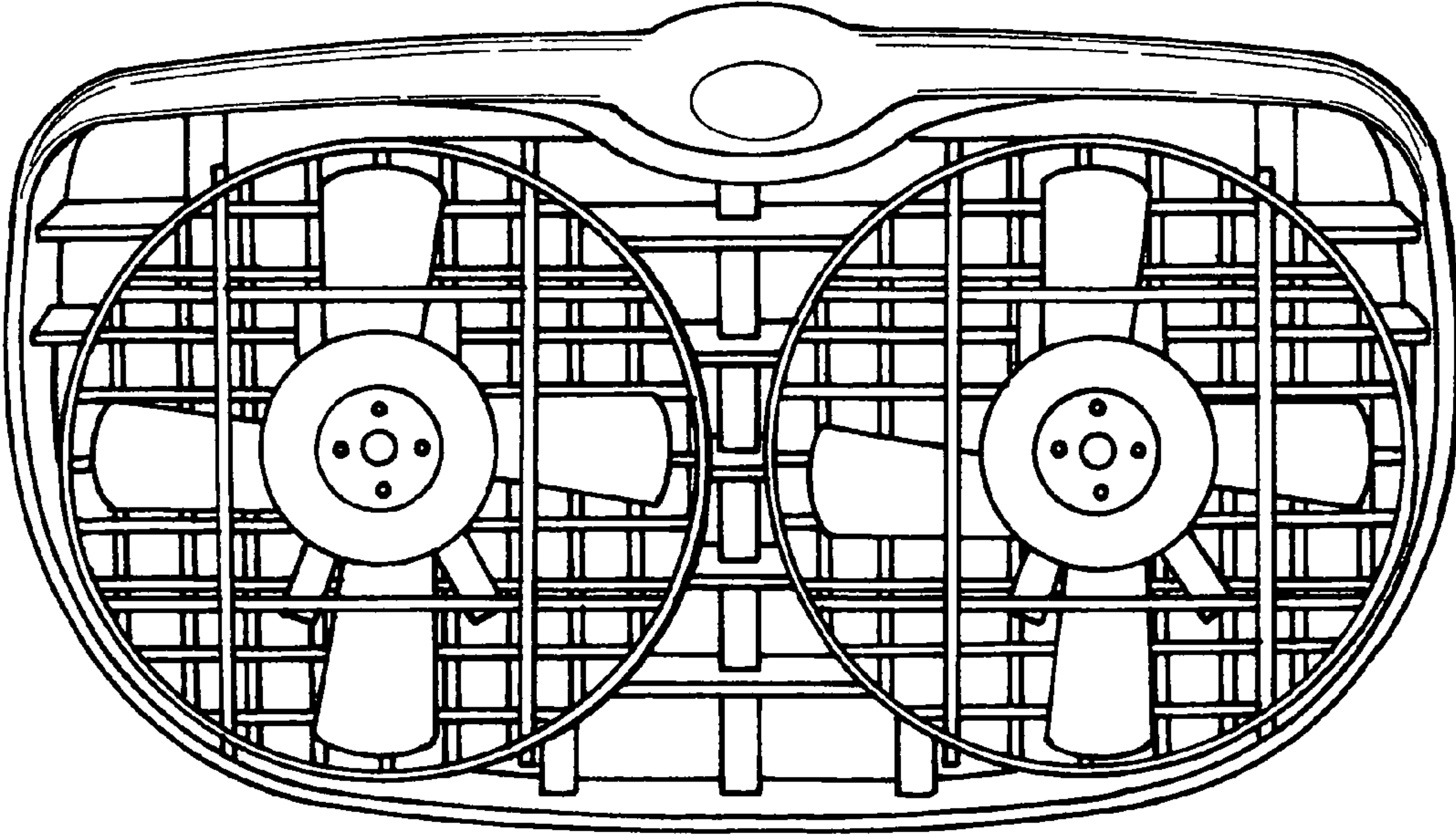


FIG.2

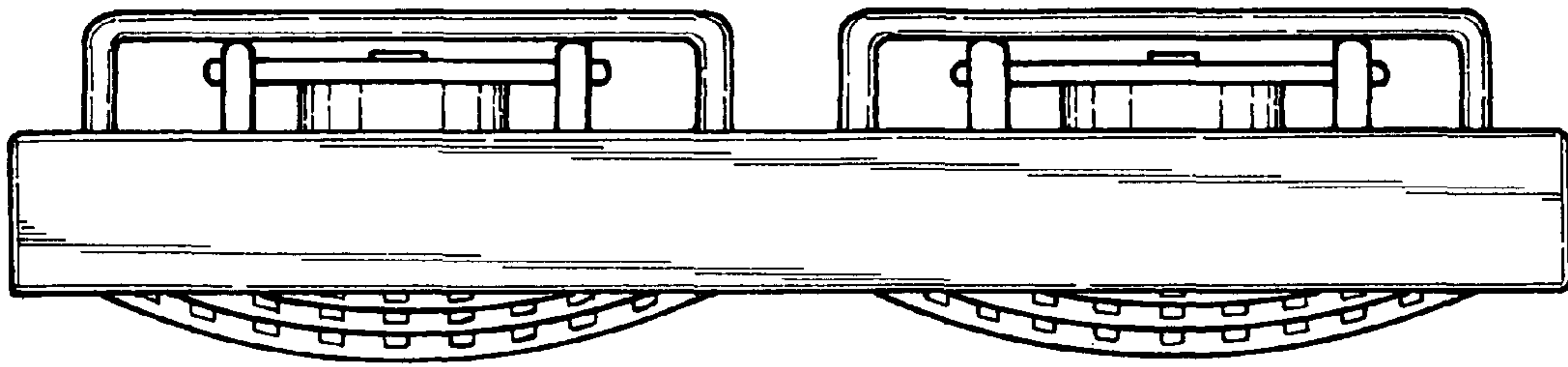


FIG.3

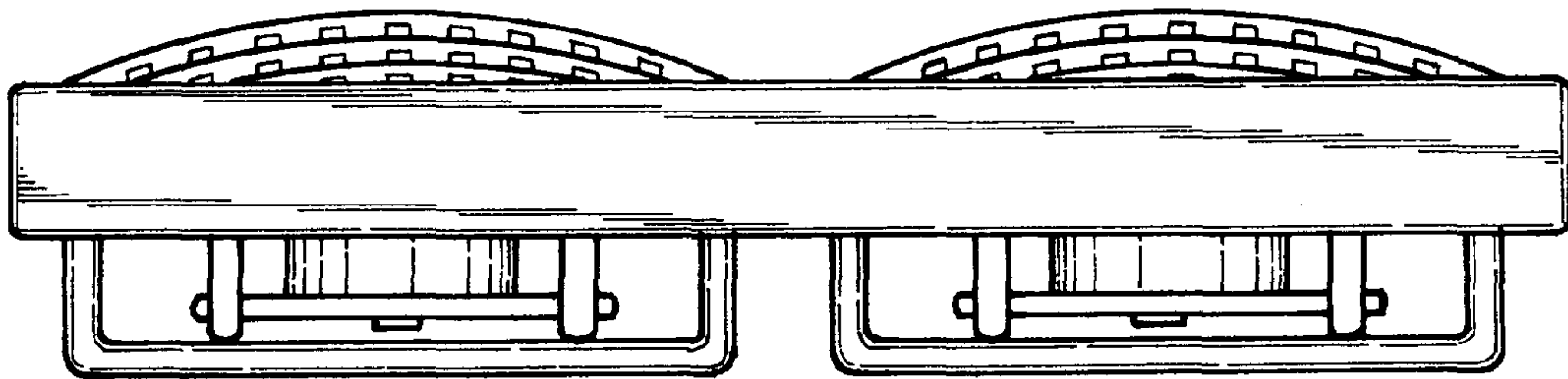


FIG.4

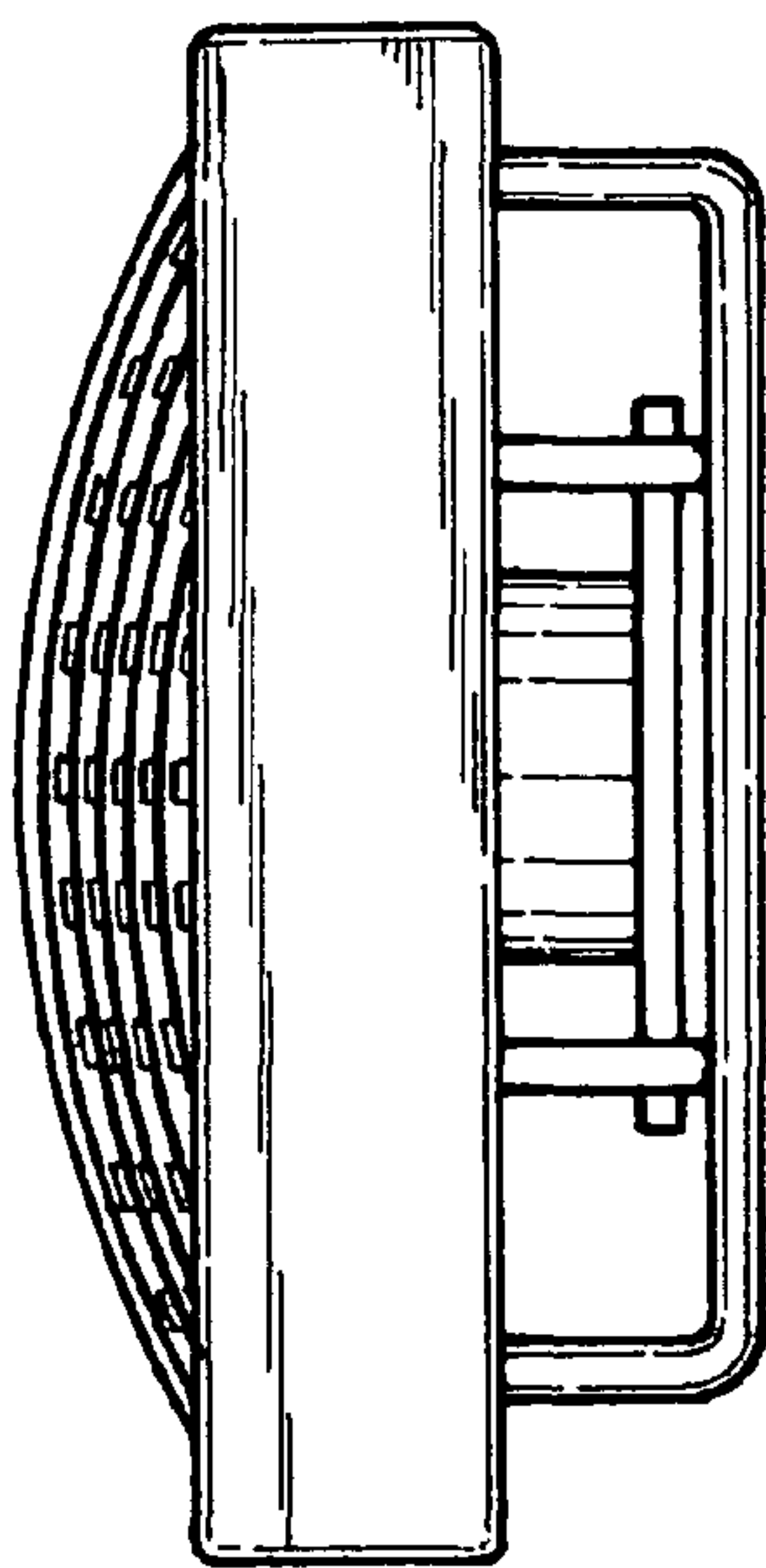


FIG.5

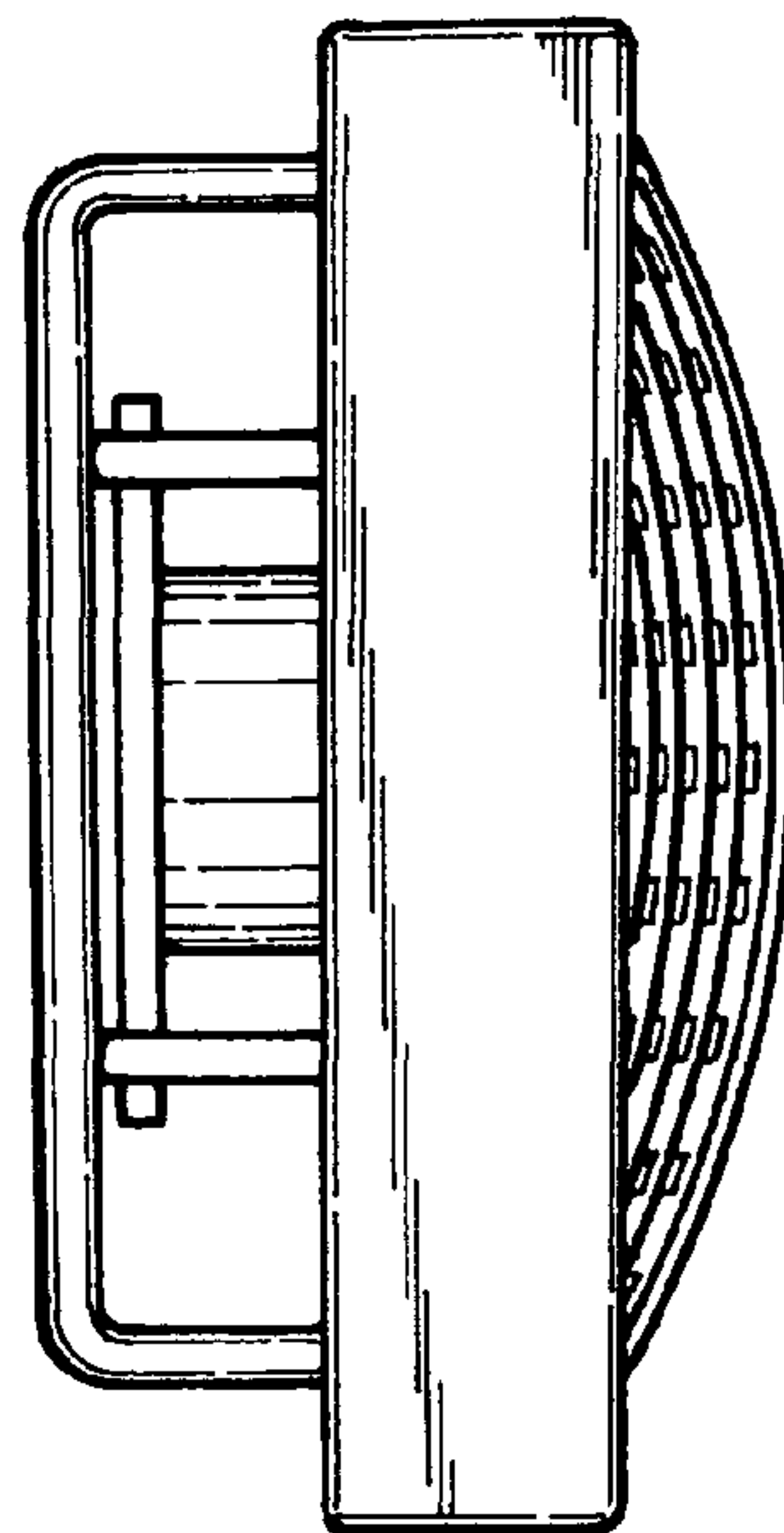


FIG.6