



US00D617690S

(12) **United States Design Patent**
Tokumoto

(10) **Patent No.:** **US D617,690 S**

(45) **Date of Patent:** **** Jun. 15, 2010**

(54) **REAR DERAILLEUR**

(75) Inventor: **Naoya Tokumoto**, Osaka (JP)

(73) Assignee: **Shimano Inc.**, Osaka (JP)

(**) Term: **14 Years**

(21) Appl. No.: **29/328,106**

(22) Filed: **Nov. 19, 2008**

(51) **LOC (9) Cl.** **12-11**

(52) **U.S. Cl.** **D12/124**

(58) **Field of Classification Search** D12/124,
D12/111; 474/78-82, 140

See application file for complete search history.

(56) **References Cited**

U.S. PATENT DOCUMENTS

D432,056 S	*	10/2000	Hanamura	D12/124
D534,102 S	*	12/2006	Arakawa	D12/124
D534,103 S	*	12/2006	Arakawa	D12/124
D534,460 S	*	1/2007	Hanamura	D12/124
D536,282 S	*	2/2007	Masui	D12/124
D551,131 S	*	9/2007	Arakawa	D12/124
D580,304 S	*	11/2008	Okada	D12/124
D581,321 S	*	11/2008	Pang	D12/124

OTHER PUBLICATIONS

Shimano Bicycle Components Trade Sales & Support Manual 2008
Catalog; pp. 122, 128, 130, 132, 136, 140, 142 and 144.

* cited by examiner

Primary Examiner—Philip S Hyder
Assistant Examiner—Linda G. Brooks

(74) *Attorney, Agent, or Firm*—Global IP Counselors, LLP

(57) **CLAIM**

The ornamental design for a rear derailleur, as shown and described.

DESCRIPTION

FIG. 1 is an outside perspective view of a rear derailleur in accordance with my new design;

FIG. 2 is an outside elevational view of the rear derailleur in accordance with my new design;

FIG. 3 is an inside elevational view of the rear derailleur in accordance with my new design;

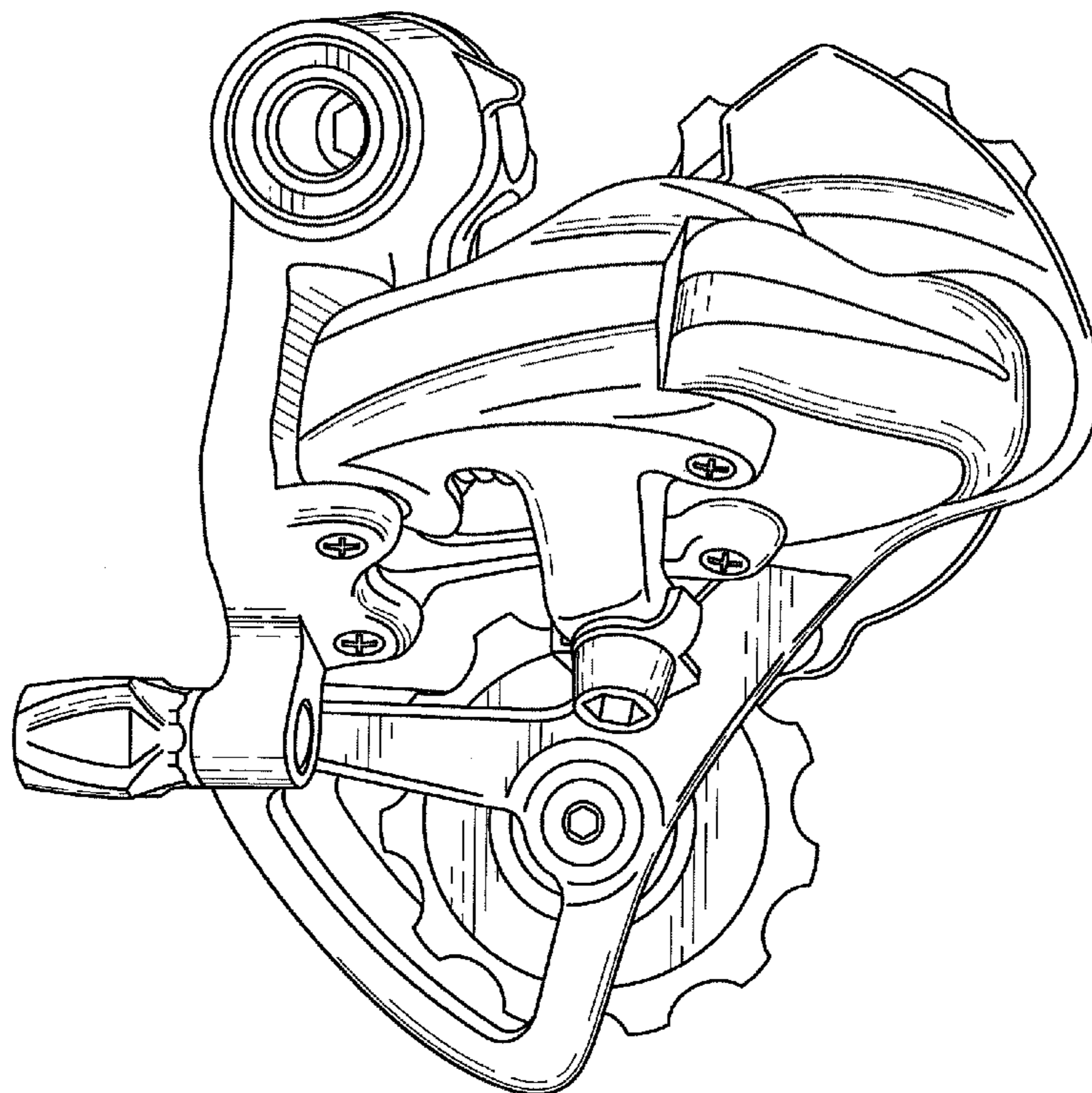
FIG. 4 is a front end elevational view of the rear derailleur in accordance with my new design;

FIG. 5 is a rear end elevational view of the rear derailleur in accordance with my new design;

FIG. 6 is a top plan view of the rear derailleur in accordance with my new design; and,

FIG. 7 is a bottom plan view of the rear derailleur in accordance with my new design.

1 Claim, 7 Drawing Sheets



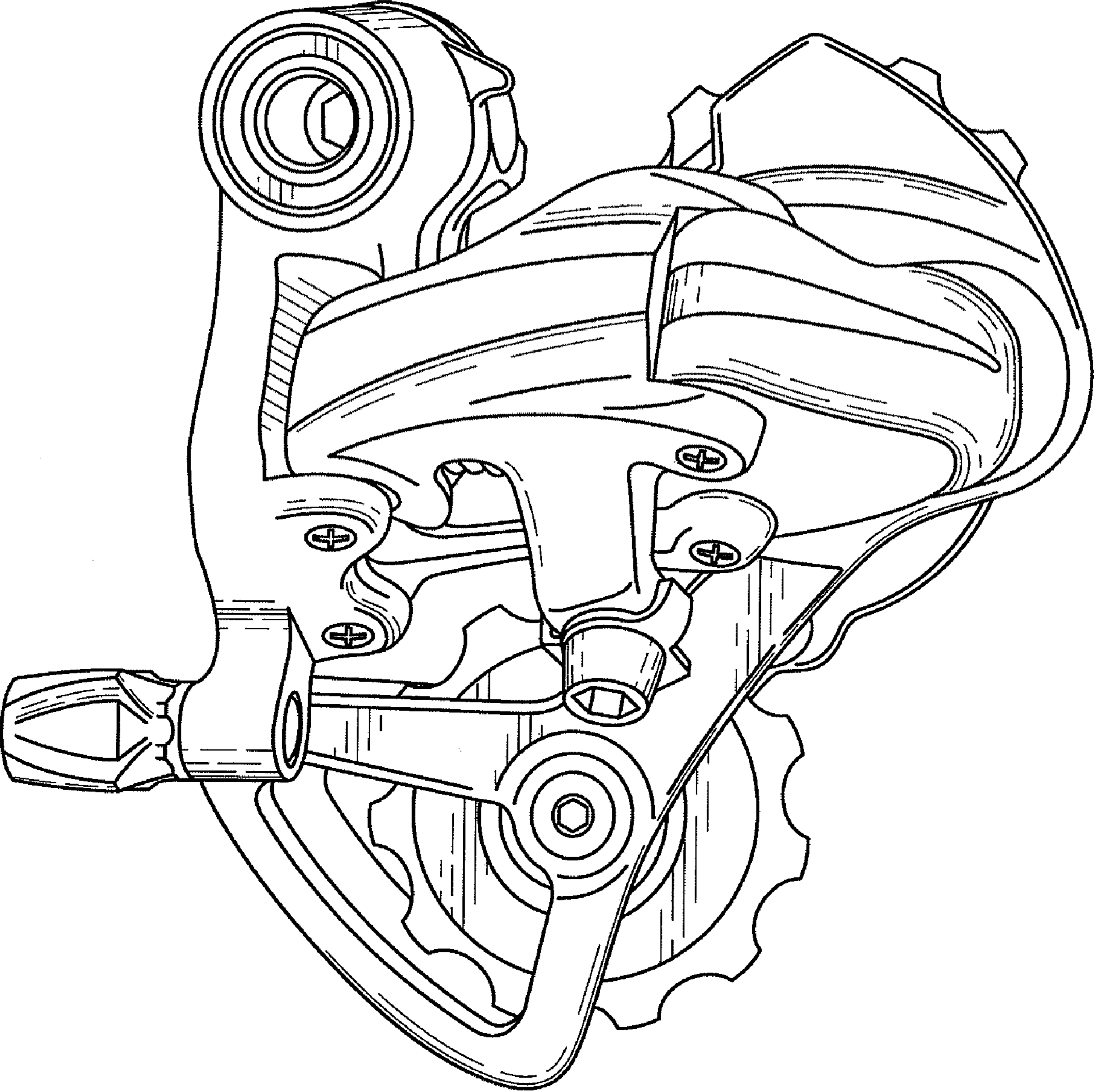


FIG. 1

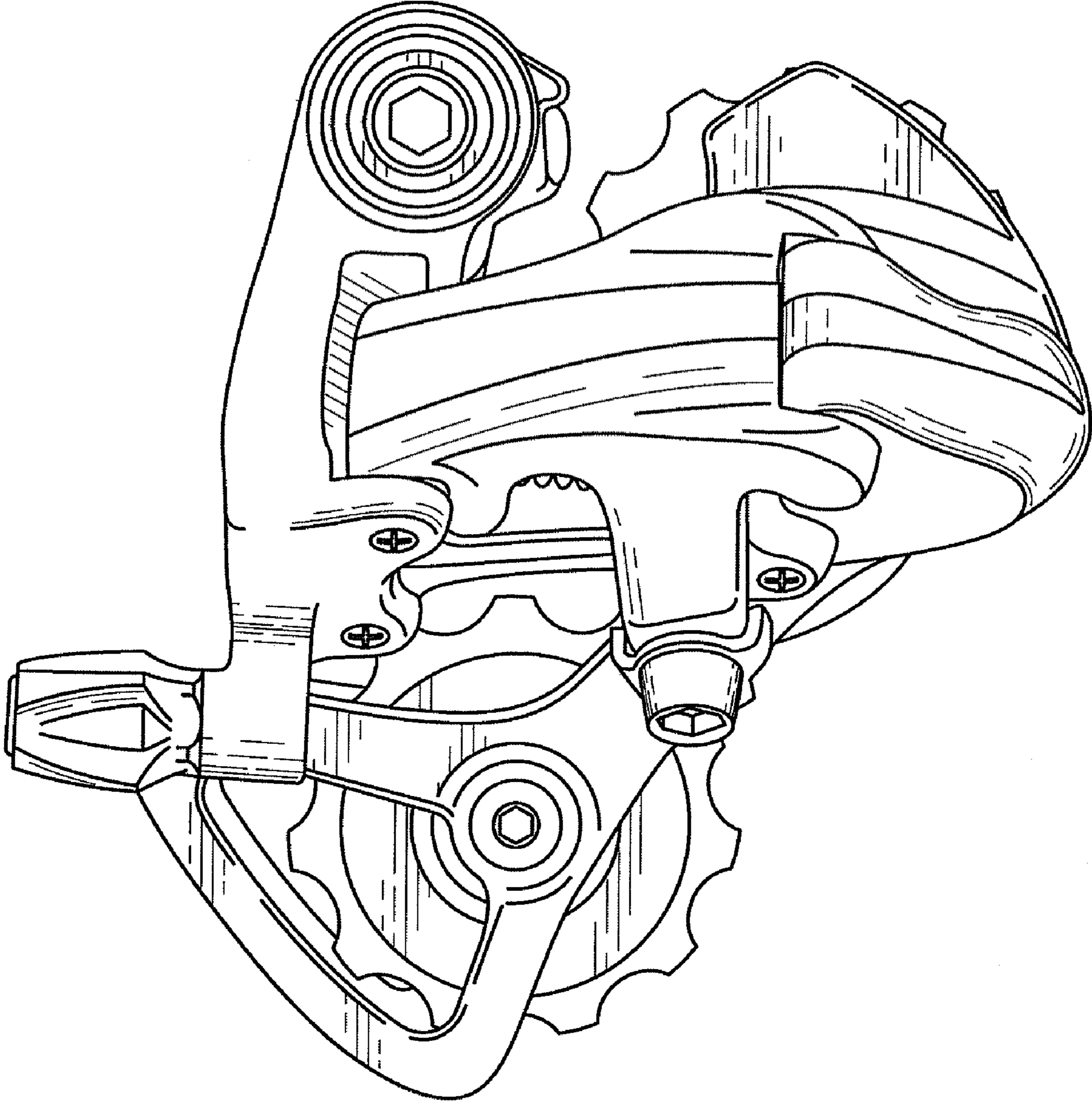


FIG. 2

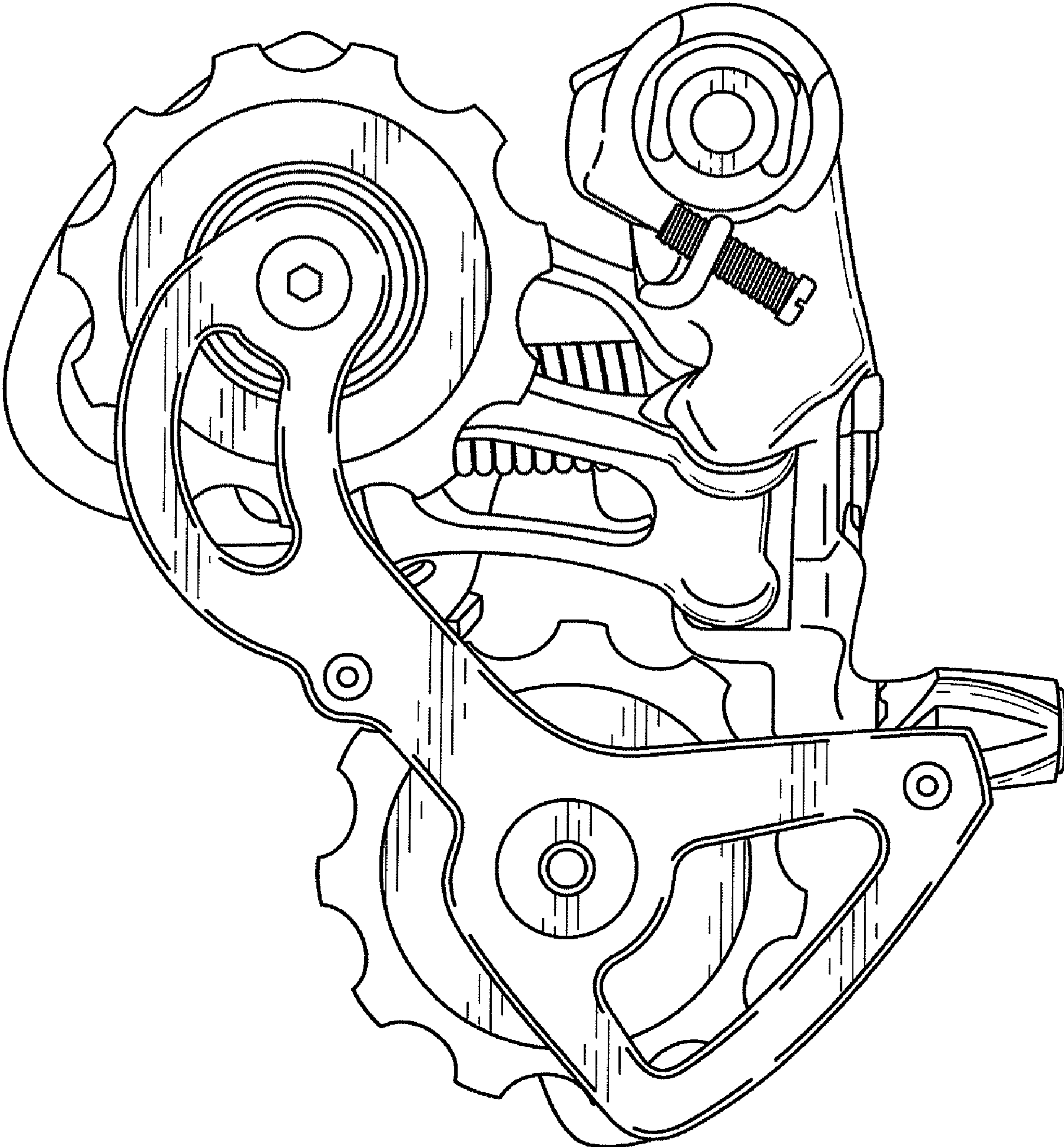


FIG. 3

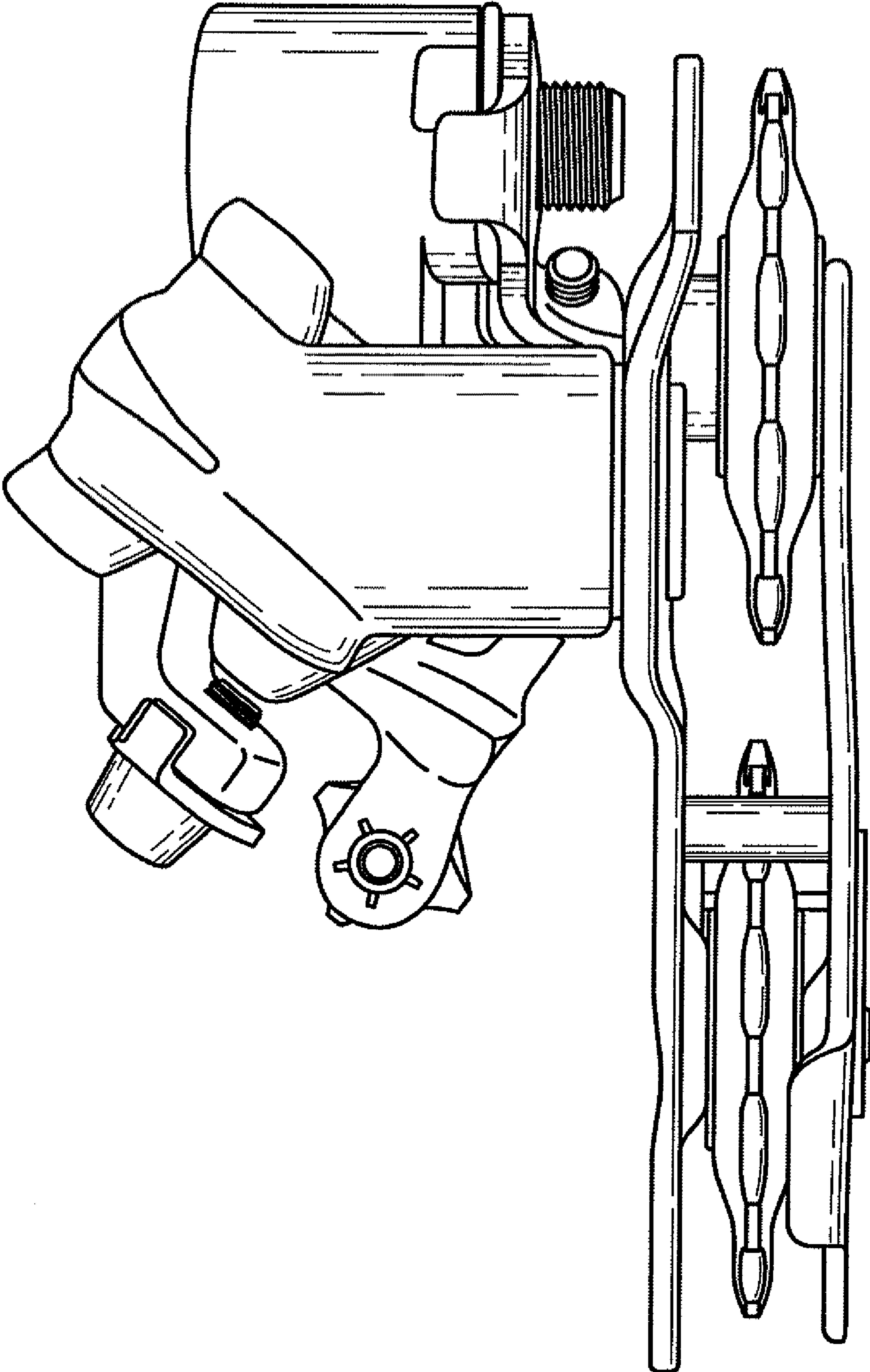


FIG. 4

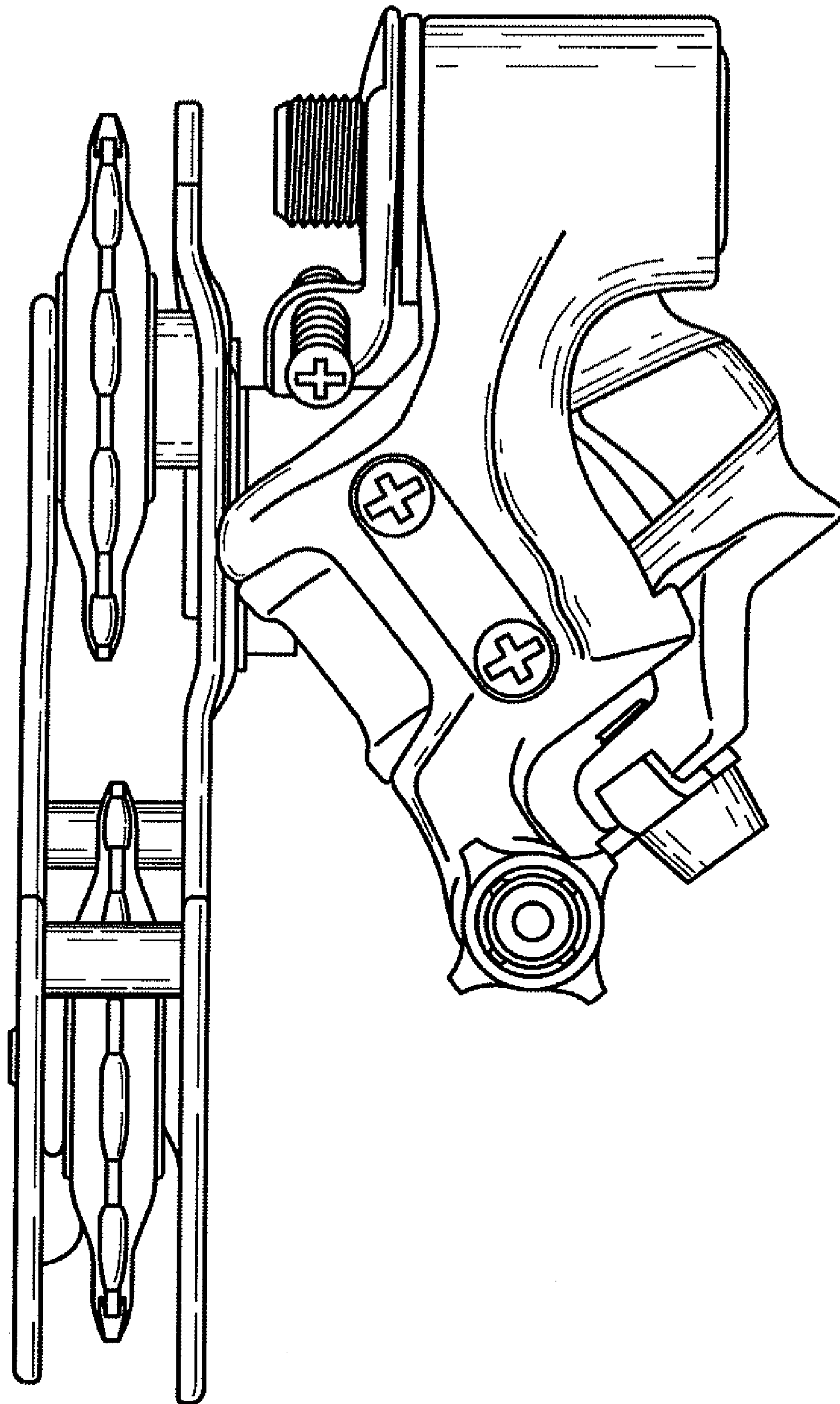


FIG. 5

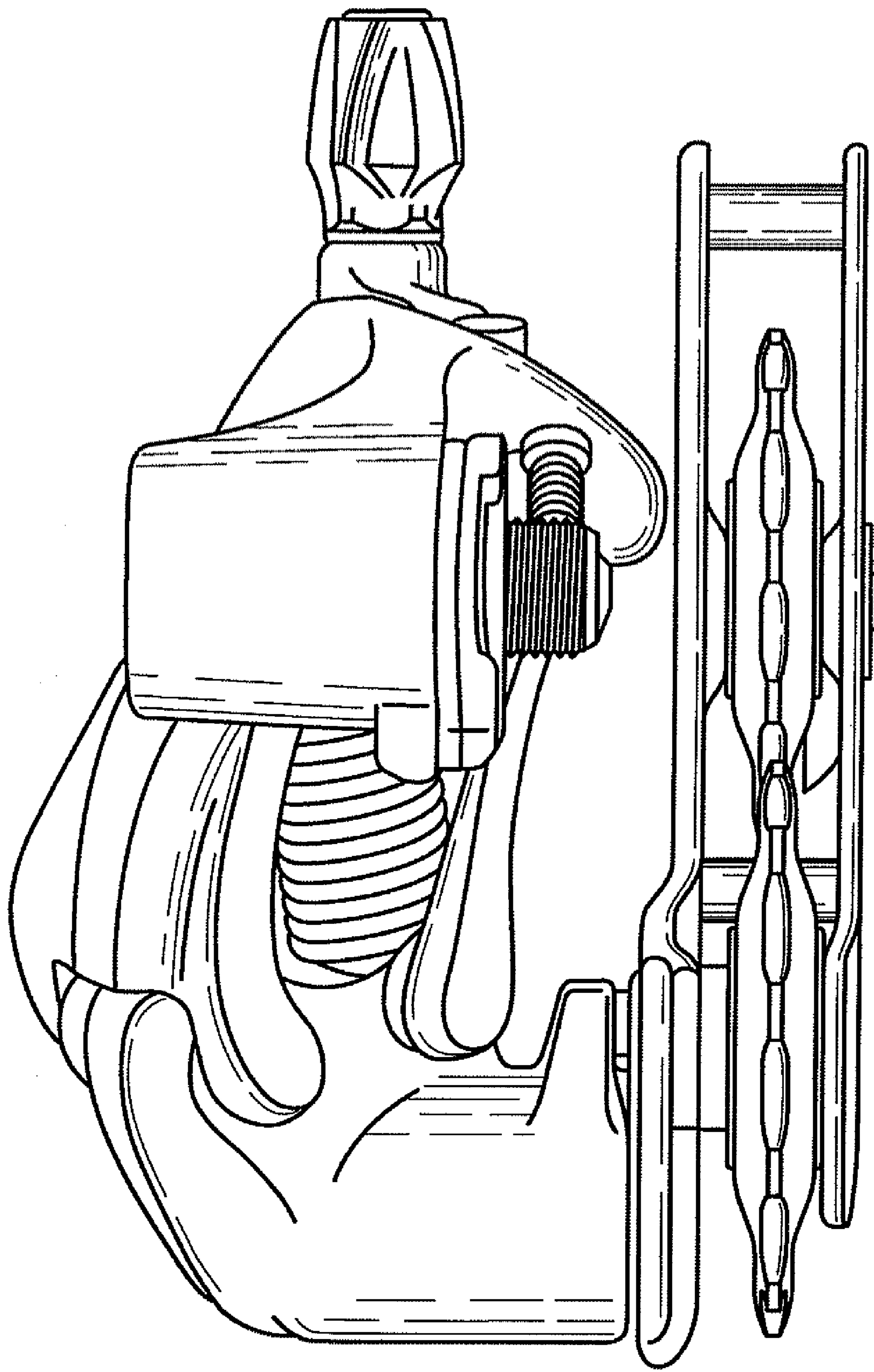


FIG. 6

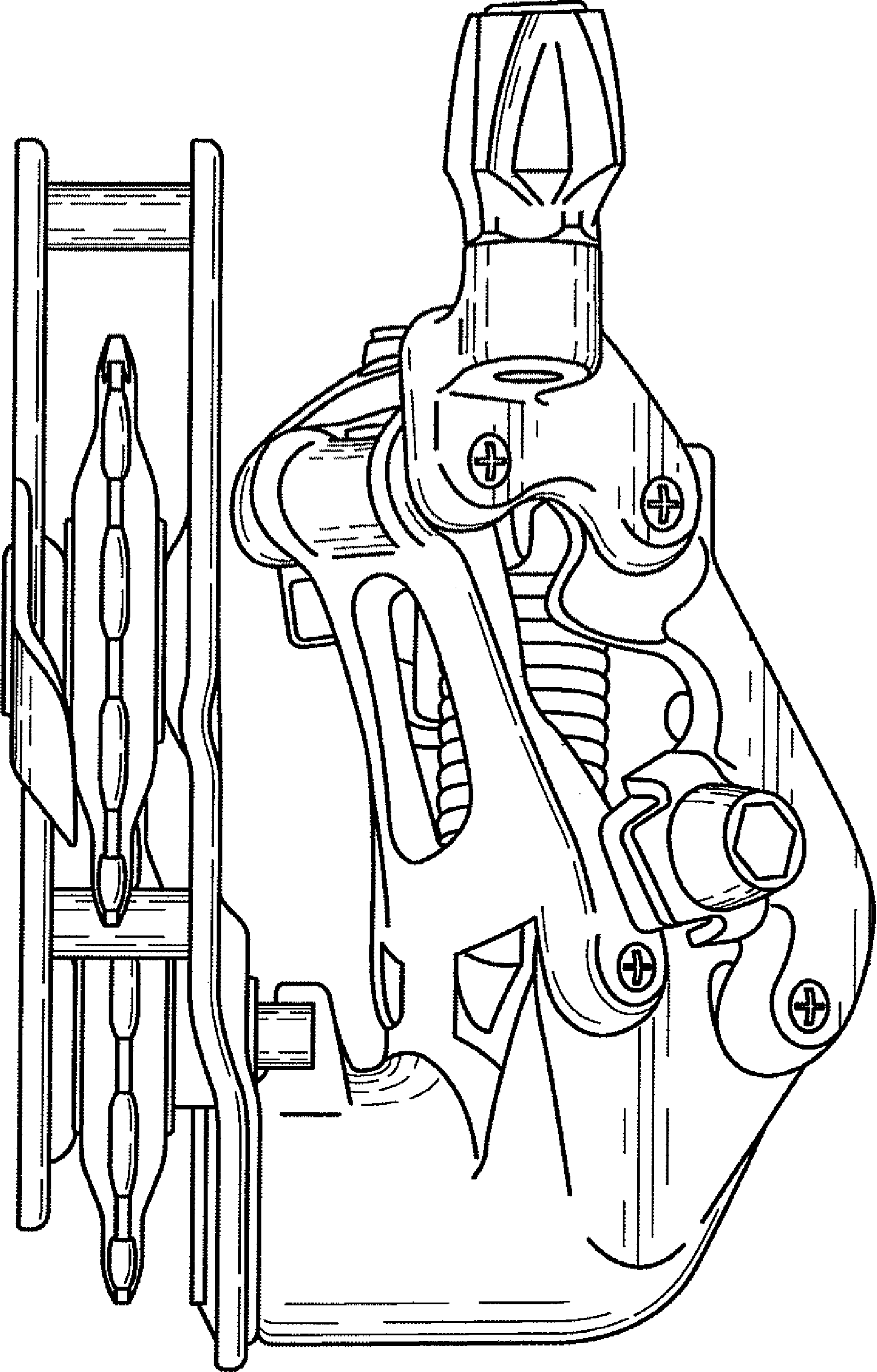


FIG. 7