



US00D617689S

(12) **United States Design Patent**
Curran et al.

(10) **Patent No.:** **US D617,689 S**
(45) **Date of Patent:** **** Jun. 15, 2010**

(54) **BICYCLE CRANK ARM**

(75) Inventors: **Sean Curran**, Clifton, NJ (US);
Dominic Biro, Metuchen, NJ (US)

(73) Assignee: **Animal Bikes, Inc.**, Clifton, NJ (US)

(**) Term: **14 Years**

(21) Appl. No.: **29/348,443**

(22) Filed: **Jan. 5, 2010**

Related U.S. Application Data

(62) Division of application No. 29/313,913, filed on Feb. 18, 2009, now Pat. No. Des. 610,049.

(51) **LOC (9) Cl.** **12-11**

(52) **U.S. Cl.** **D12/123**

(58) **Field of Classification Search** D12/111,
D12/123; 474/152, 164, 160-162, 155-158;
74/594.1-594.4

See application file for complete search history.

(56) **References Cited**

U.S. PATENT DOCUMENTS

3,361,459	A	1/1968	Marquis et al.
4,034,575	A	7/1977	Barth
4,121,474	A	10/1978	Arregui Suinaga
4,811,626	A	3/1989	Bezin
D319,808	S	9/1991	Cook
5,197,353	A	3/1993	Trenerry et al.
5,440,950	A	8/1995	Tranvoiz
6,830,259	B2	12/2004	Jakovljevic
D522,413	S	6/2006	Okada
7,530,290	B2	5/2009	Lin

OTHER PUBLICATIONS

Office Action dated Sep. 16, 2009, U.S. Appl. No. 29,313,913, filed Feb. 18, 2009.

Primary Examiner—Philip S Hyder
Assistant Examiner—Linda G. Brooks
(74) *Attorney, Agent, or Firm*—Lawrence G. Fridman

(57) **CLAIM**

The ornamental design for a bicycle crank arm, as shown and described.

DESCRIPTION

FIG. 1 is a front elevational view of a first embodiment of the bicycle crank arm according to our new design, with the broken lines showing other portions of the bicycle crank arm forming no part of the claimed design;

FIG. 2 is a side elevational view thereof;

FIG. 3 is a rear elevational view thereof;

FIG. 4 is a top plan view thereof;

FIG. 5 is a bottom plan view thereof;

FIG. 6 is an enlarged front perspective view of the first embodiment of the bicycle crank arm, with the broken lines illustrating the boundary of the claimed design and forming no part thereof;

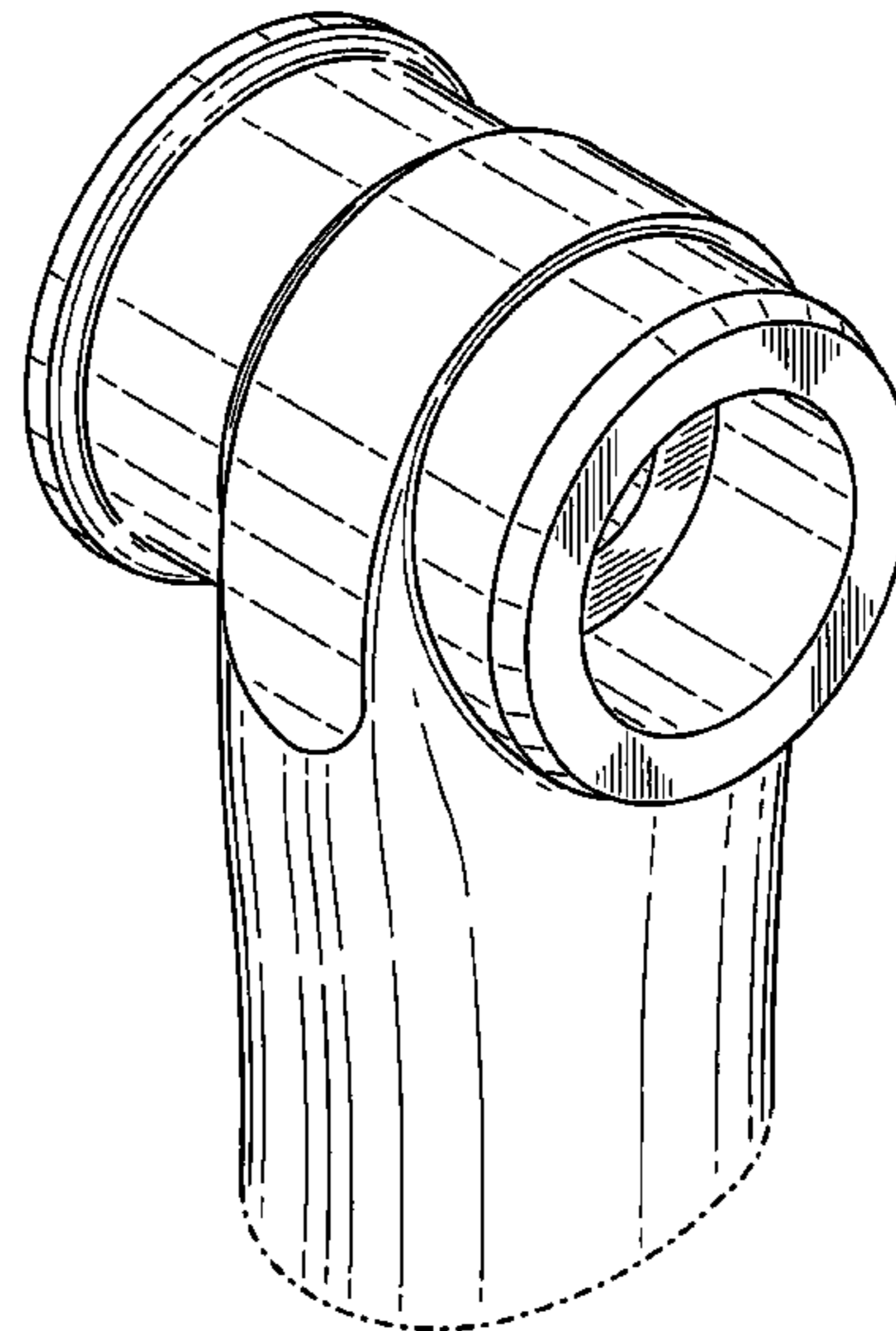
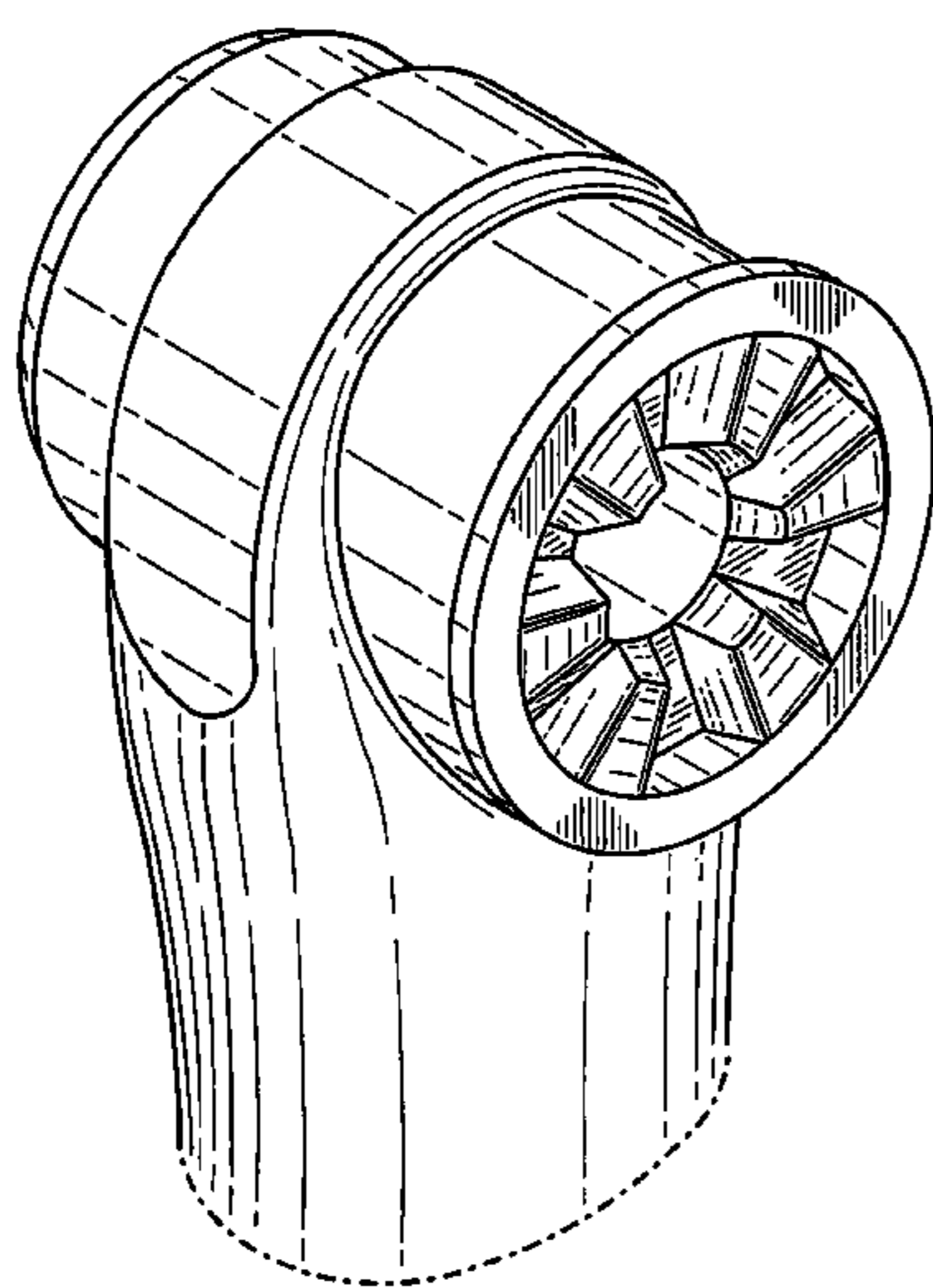
FIG. 7 is a rear perspective view of FIG. 6;

FIG. 8 is a front perspective view of a second embodiment of the bicycle crank arm, with the broken lines illustrating the boundary of the claimed design and forming no part thereof; and,

FIG. 9 is a rear perspective view of FIG. 8.

The front, side and rear elevational views and the top and bottom plan views of the second embodiment are the same as those in FIGS. 1-5.

1 Claim, 4 Drawing Sheets



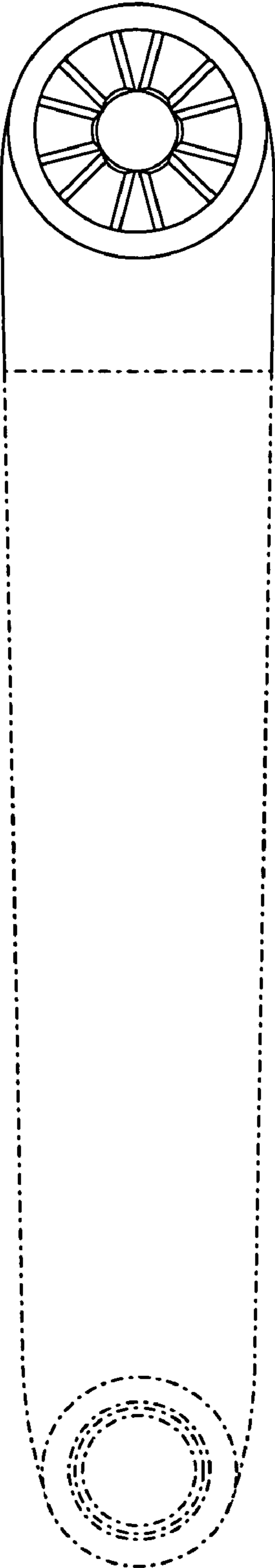


FIG. 1

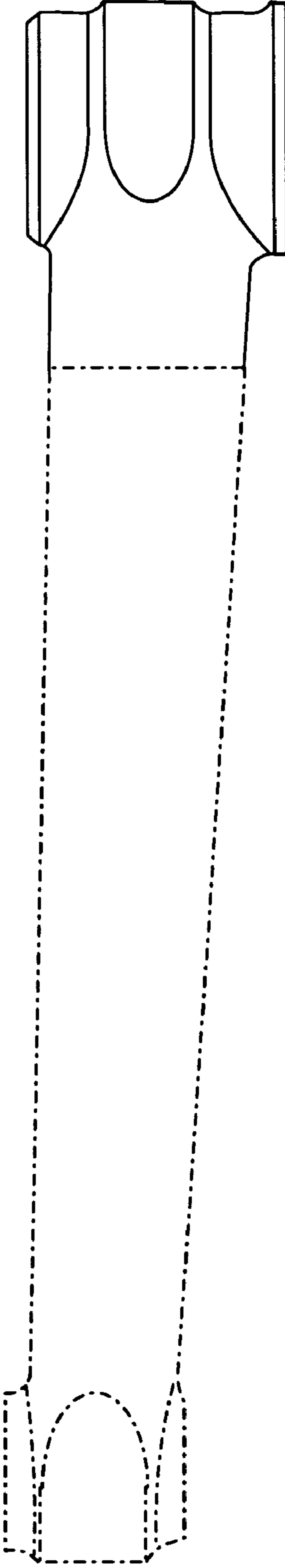


FIG. 2

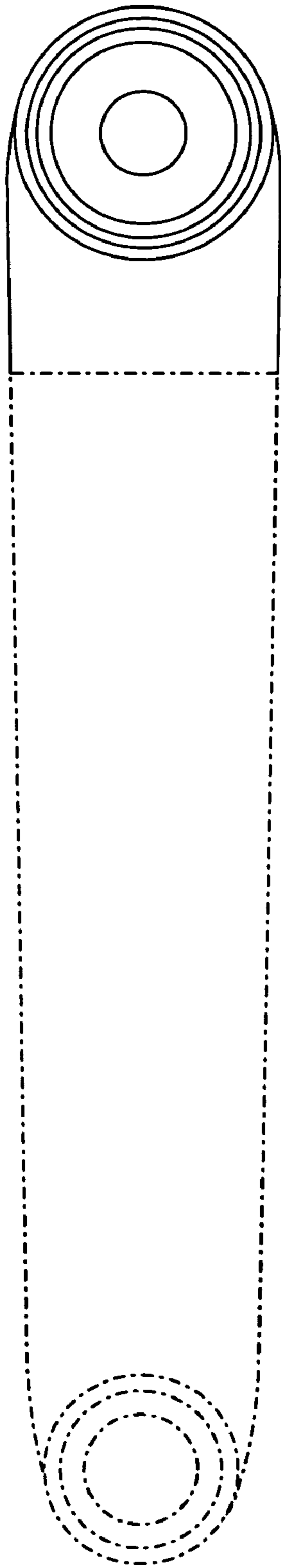


FIG. 3

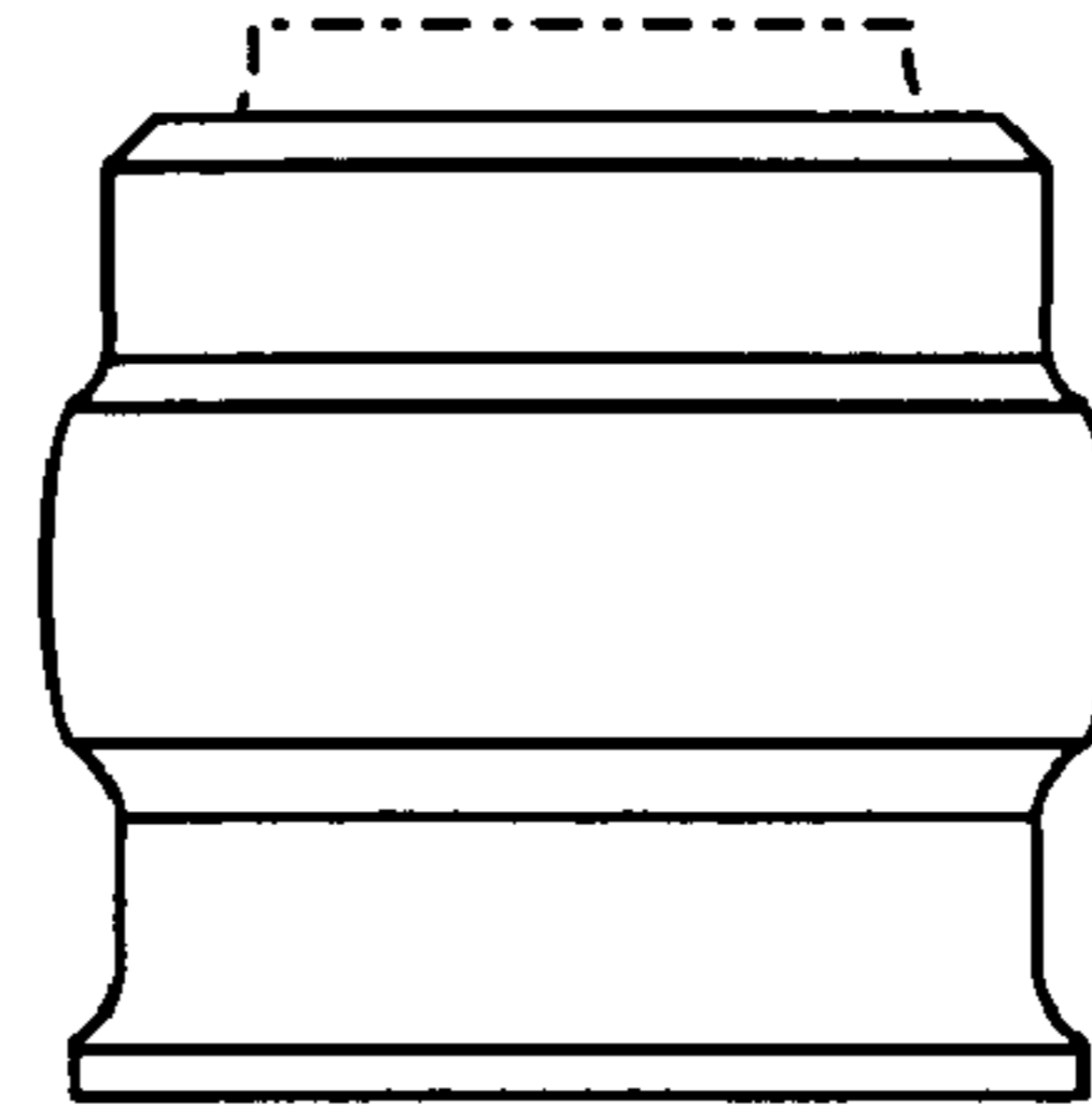


FIG. 4

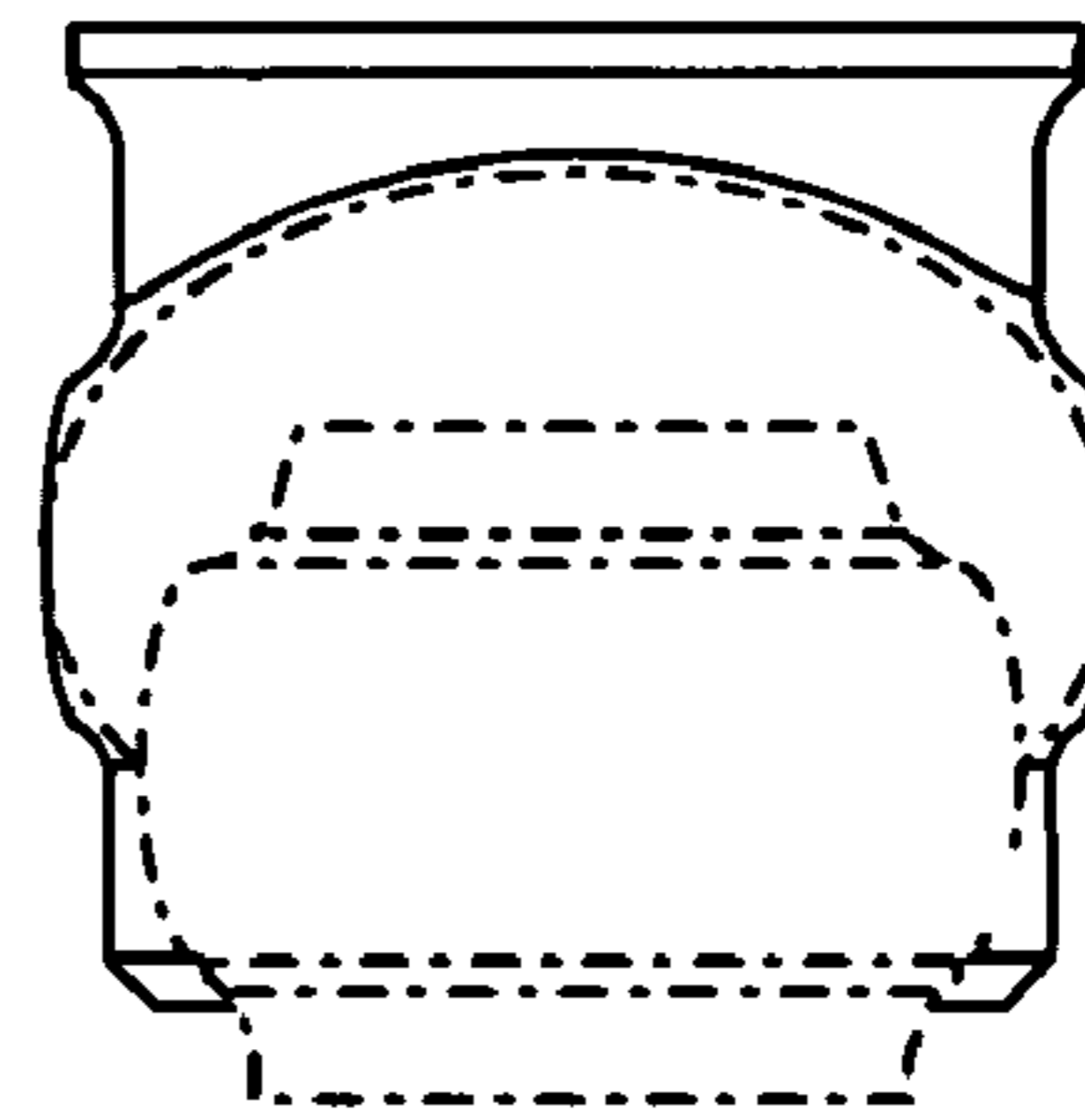


FIG. 5

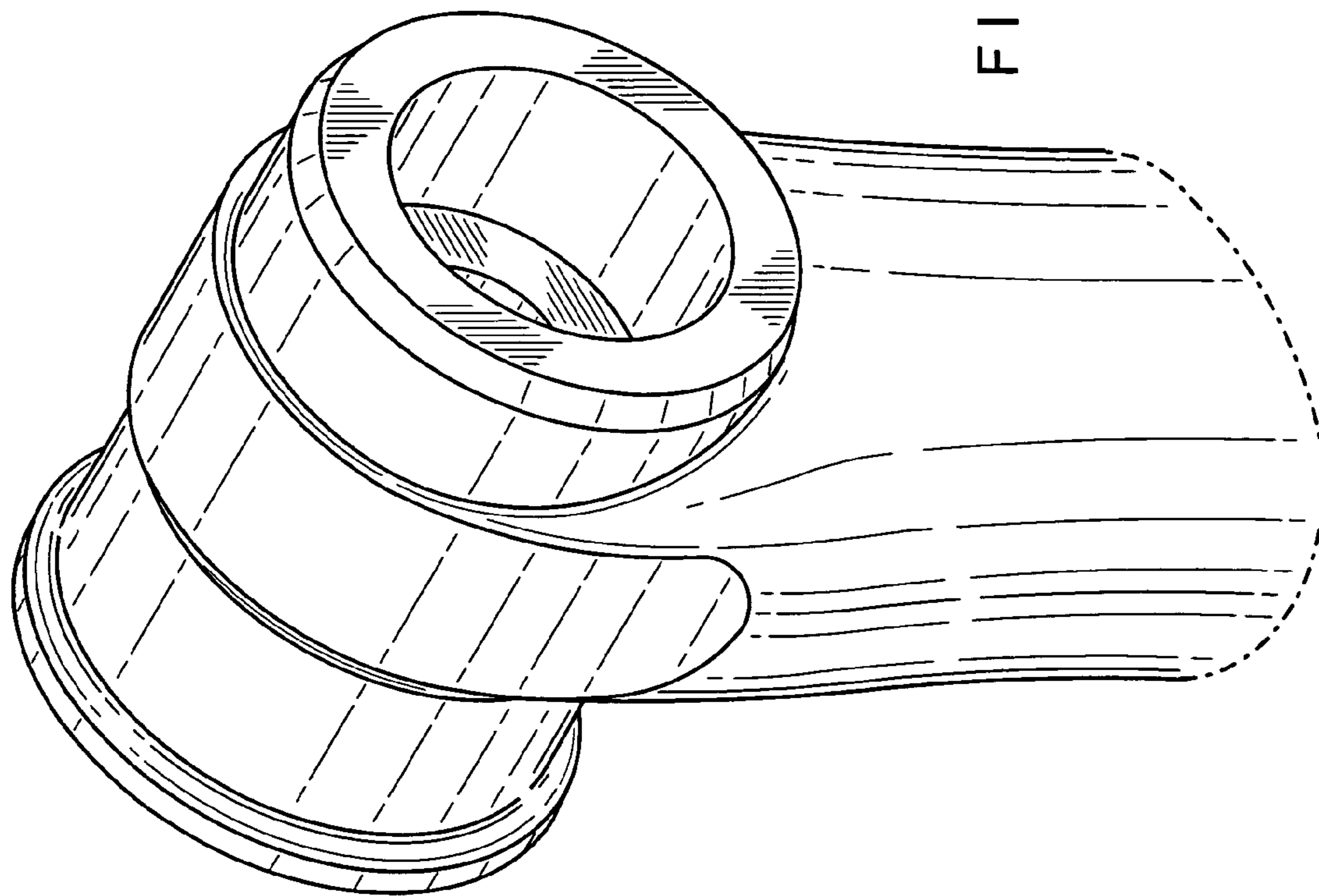


FIG. 7

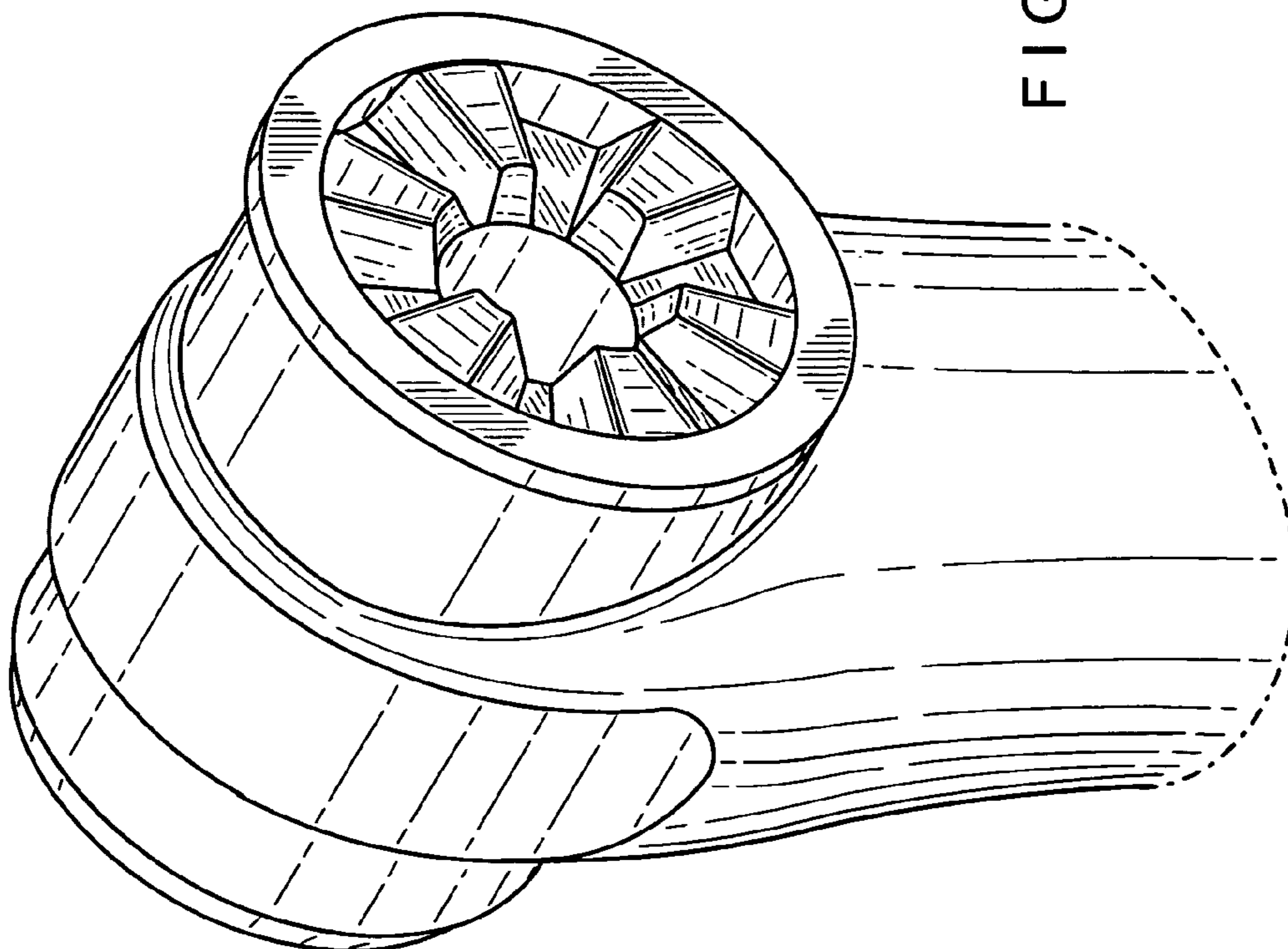


FIG. 6

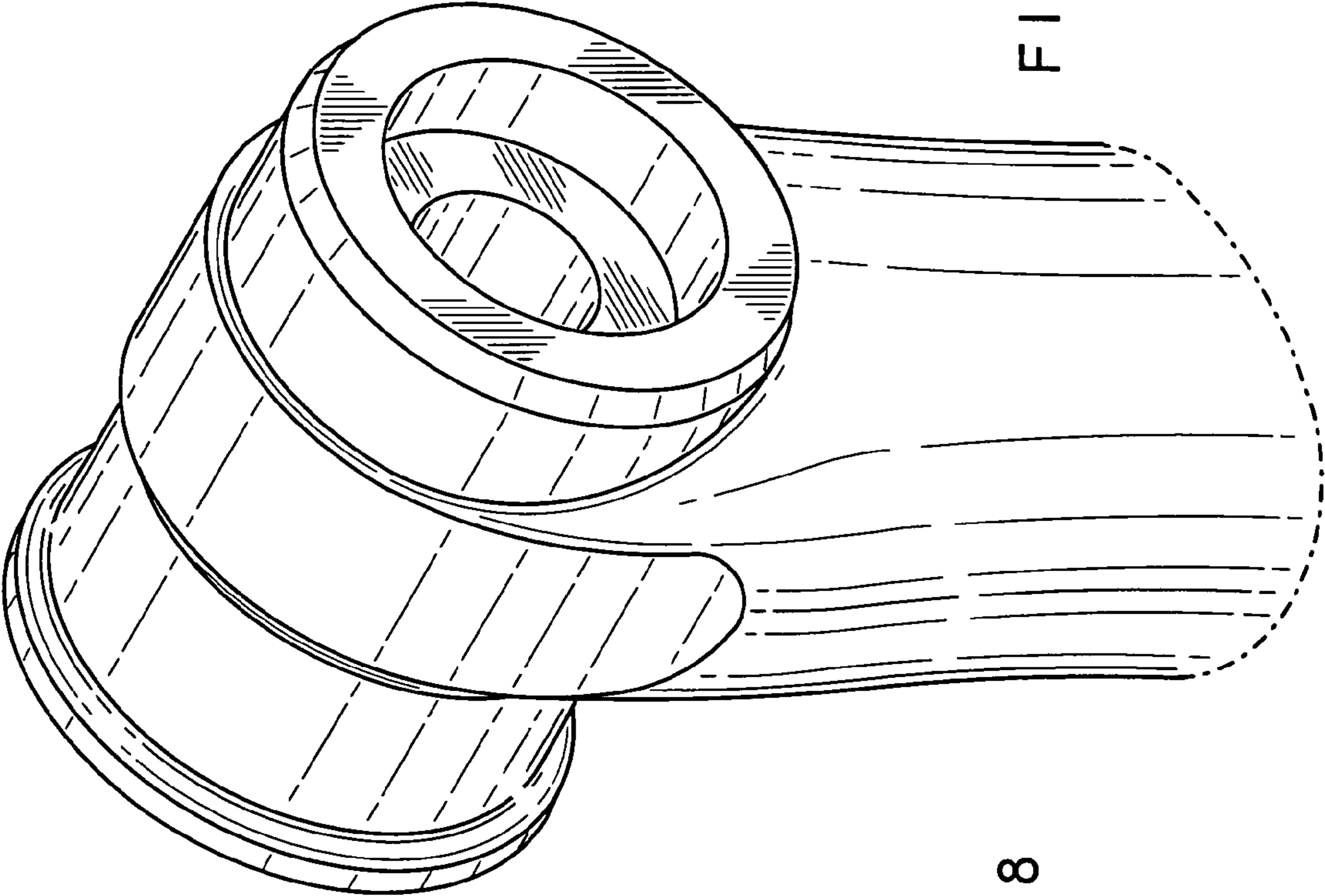


FIG. 9

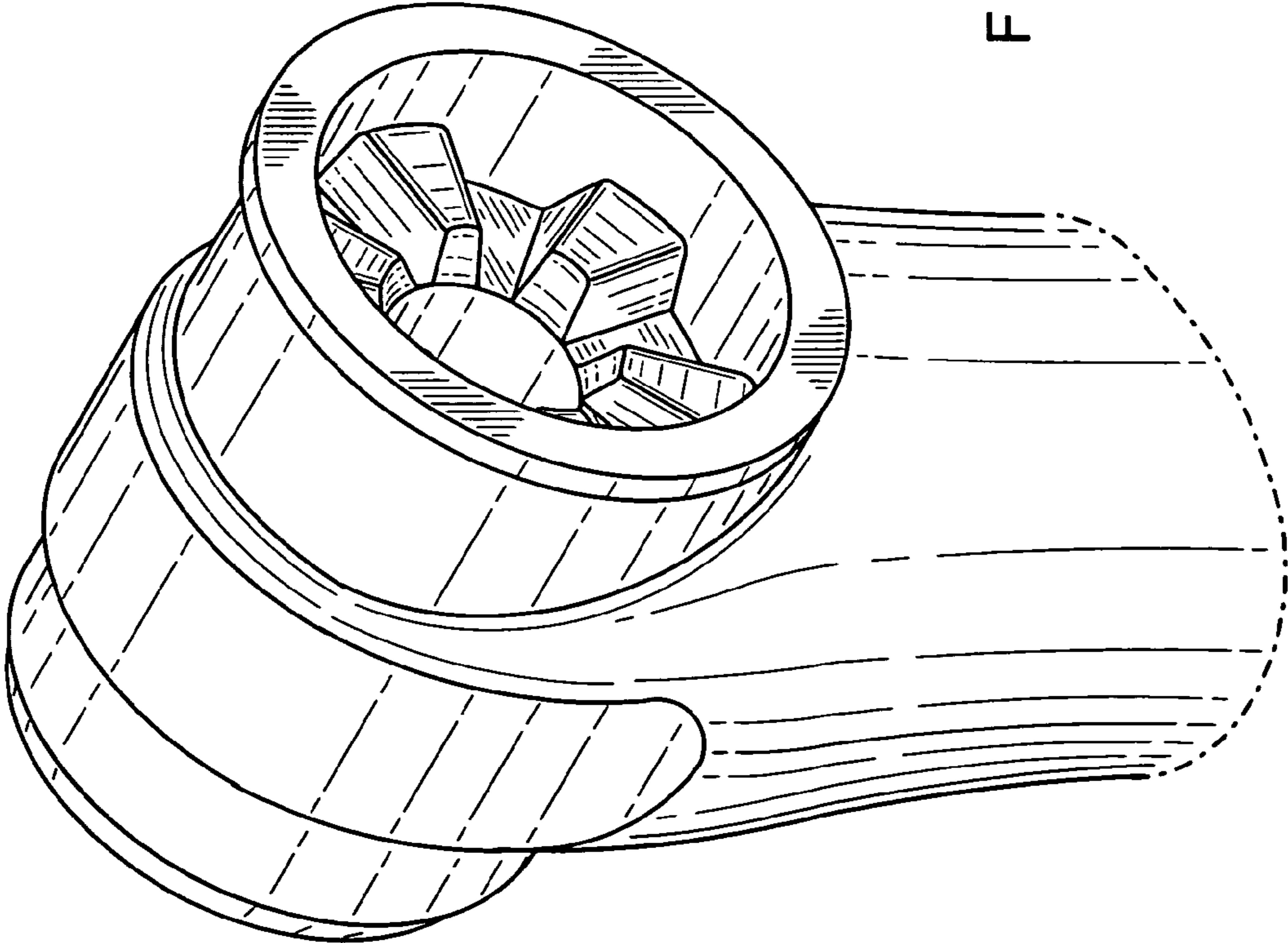


FIG. 8