



US00D617687S

(12) **United States Design Patent**
Brady et al.

(10) **Patent No.:** **US D617,687 S**
(45) **Date of Patent:** **** Jun. 15, 2010**

(54) **FOLDING BICYCLE**

D536,645 S * 2/2007 Cole D12/111

(75) Inventors: **Robert Brady**, Sarasota, FL (US); **Erik Holmen**, Sarasota, FL (US); **Dave Poirier**, Bradenton, FL (US); **Glenn Akhavein**, Bradenton, FL (US); **Richard T. Herbst, Jr.**, Bradenton, FL (US)

* cited by examiner

Primary Examiner—Philip S Hyder
Assistant Examiner—Linda G. Brooks
(74) *Attorney, Agent, or Firm*—Gifford, Krass, Sprinkle, Anderson & Citkowski, P.C.

(73) Assignee: **Robrady Capital, LLC**, Sarasota, FL (US)

(57) **CLAIM**

The ornamental design for a folding bicycle, as shown and described.

(**) Term: **14 Years**

DESCRIPTION

(21) Appl. No.: **29/341,618**

FIG. 1 is a perspective view of the present invention in the unfolded position;

(22) Filed: **Aug. 10, 2009**

FIG. 2 is a side view illustrating the present invention in the folded position;

(51) **LOC (9) Cl.** **12-11**

(52) **U.S. Cl.** **D12/111**

FIG. 3 is a top view illustrating the present invention in the unfolded position;

(58) **Field of Classification Search** D12/111,
D12/117; 280/274–278, 283–288, 281.1–288.3
See application file for complete search history.

FIG. 4 is a bottom view illustrating the present invention in the unfolded position;

(56) **References Cited**

U.S. PATENT DOCUMENTS

5,590,895	A *	1/1997	Hiramoto	280/278
6,267,401	B1 *	7/2001	De Jong	280/287
6,623,023	B2 *	9/2003	Niitsu et al.	280/278
6,702,312	B1 *	3/2004	Miksik	280/287
D497,122	S *	10/2004	Uenaka	D12/111
7,156,409	B2 *	1/2007	Chuang	280/287

FIG. 5 is a right side view illustrating the present invention in the unfolded position;

FIG. 6 is a left side view illustrating the present invention in the unfolded position;

FIG. 7 is a front view illustrating the present invention in the unfolded position; and,

FIG. 8 is a rear view illustrating the present invention in the unfolded position.

1 Claim, 4 Drawing Sheets





Fig. 1

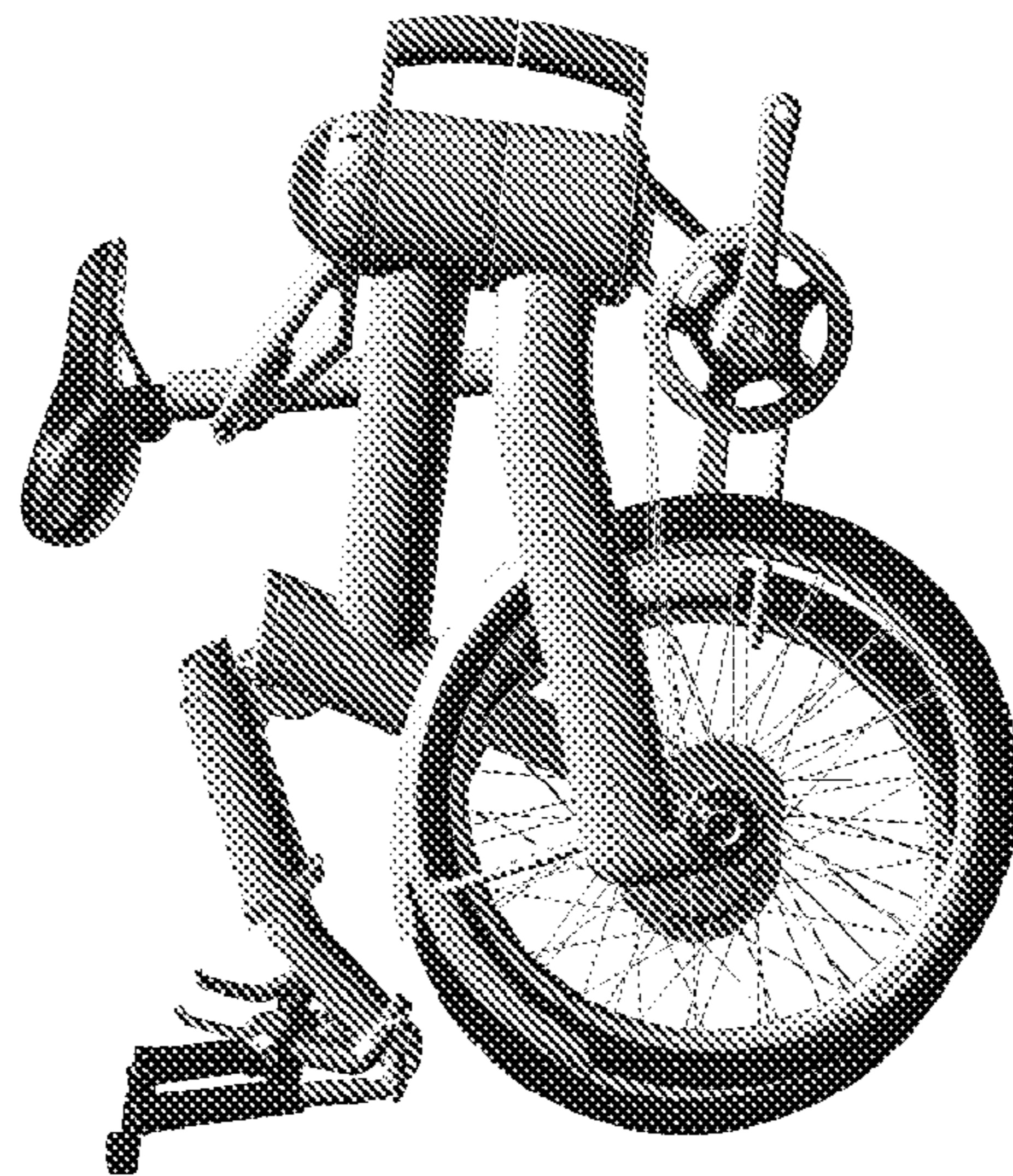


Fig. 2

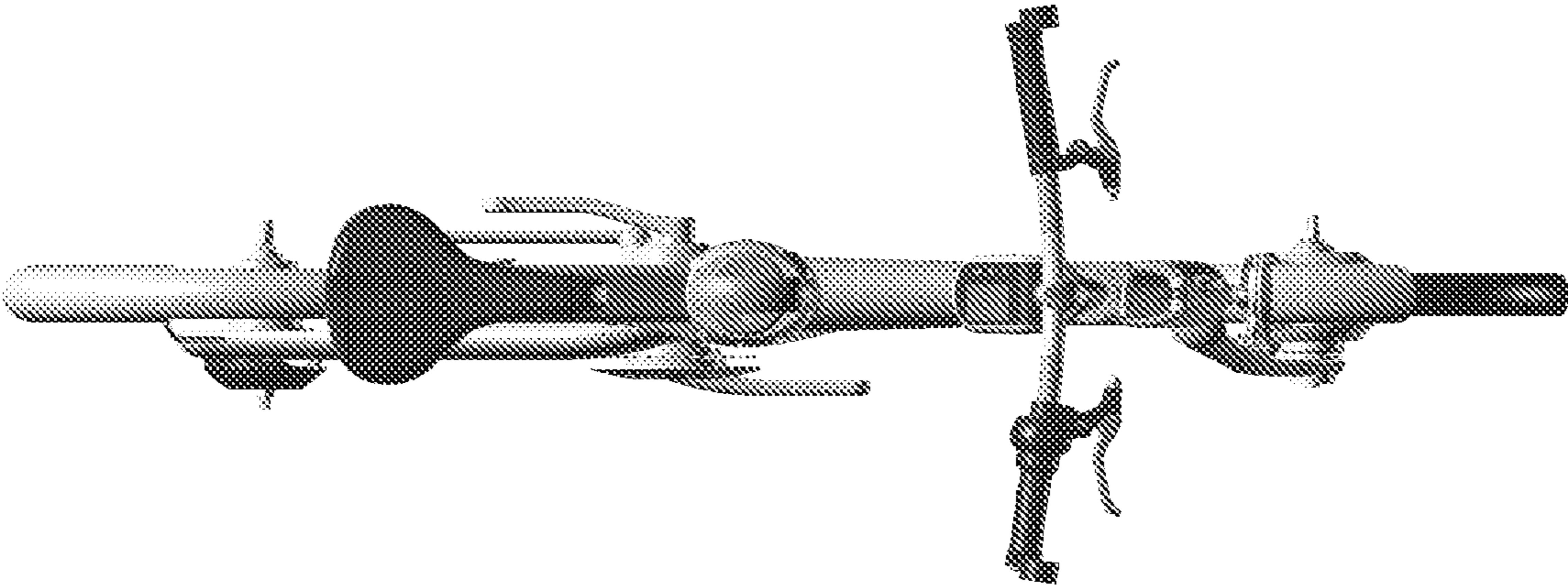


Fig. 3

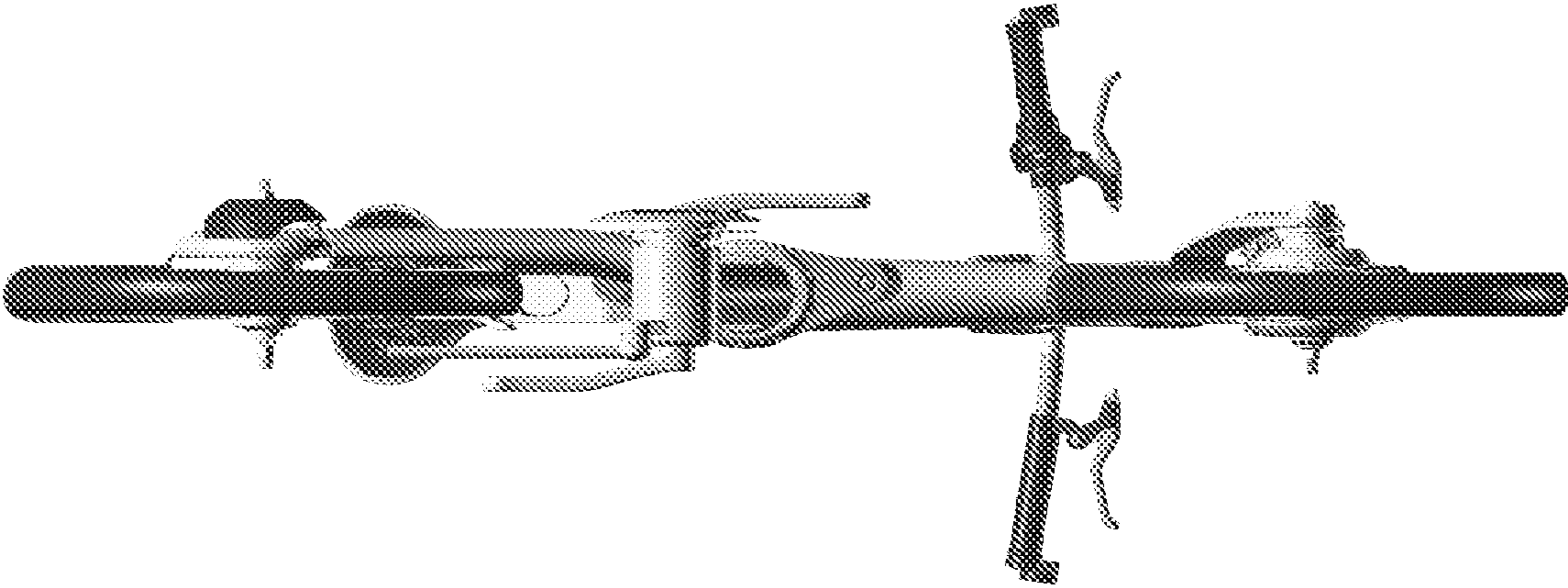


Fig. 4

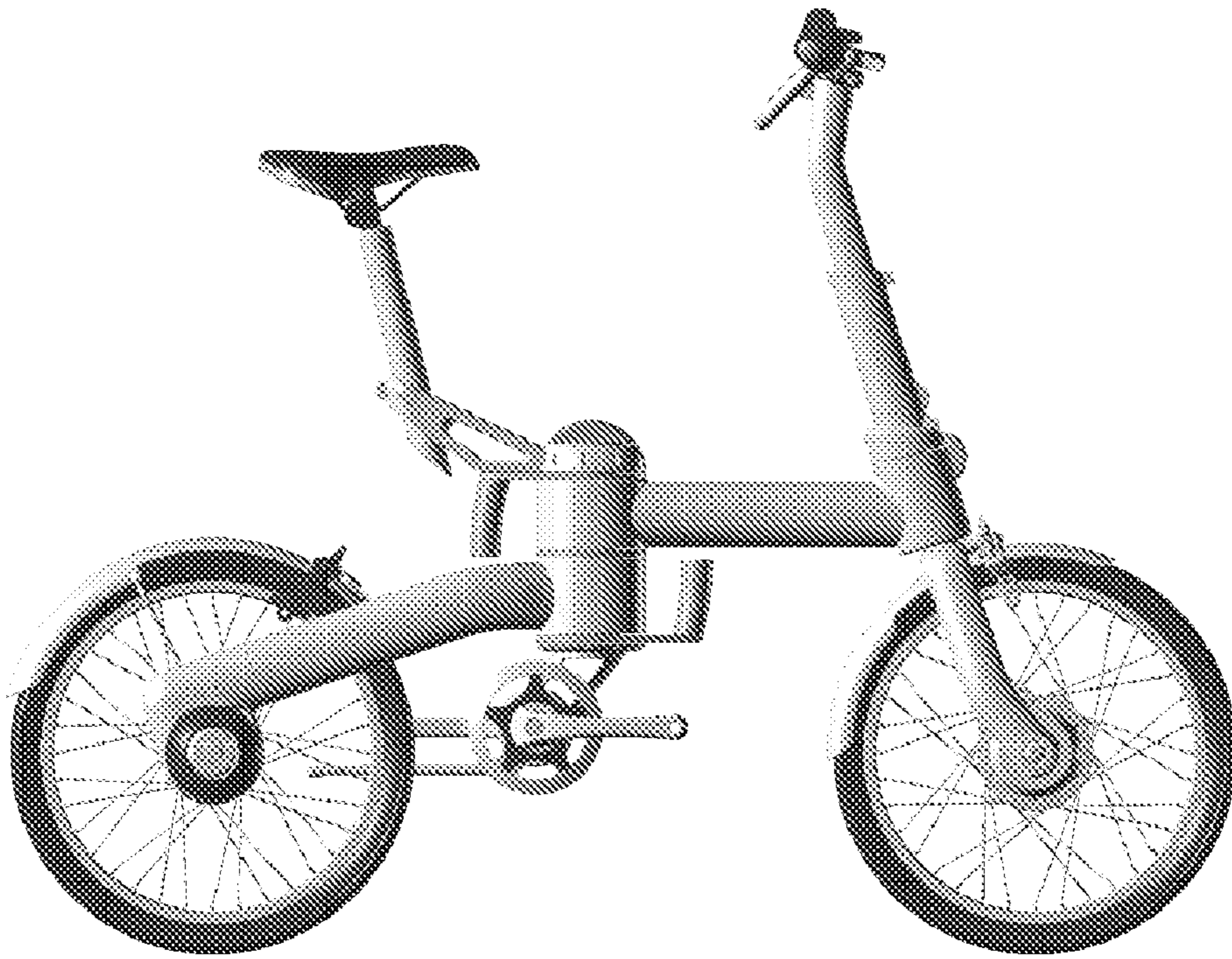


Fig. 5

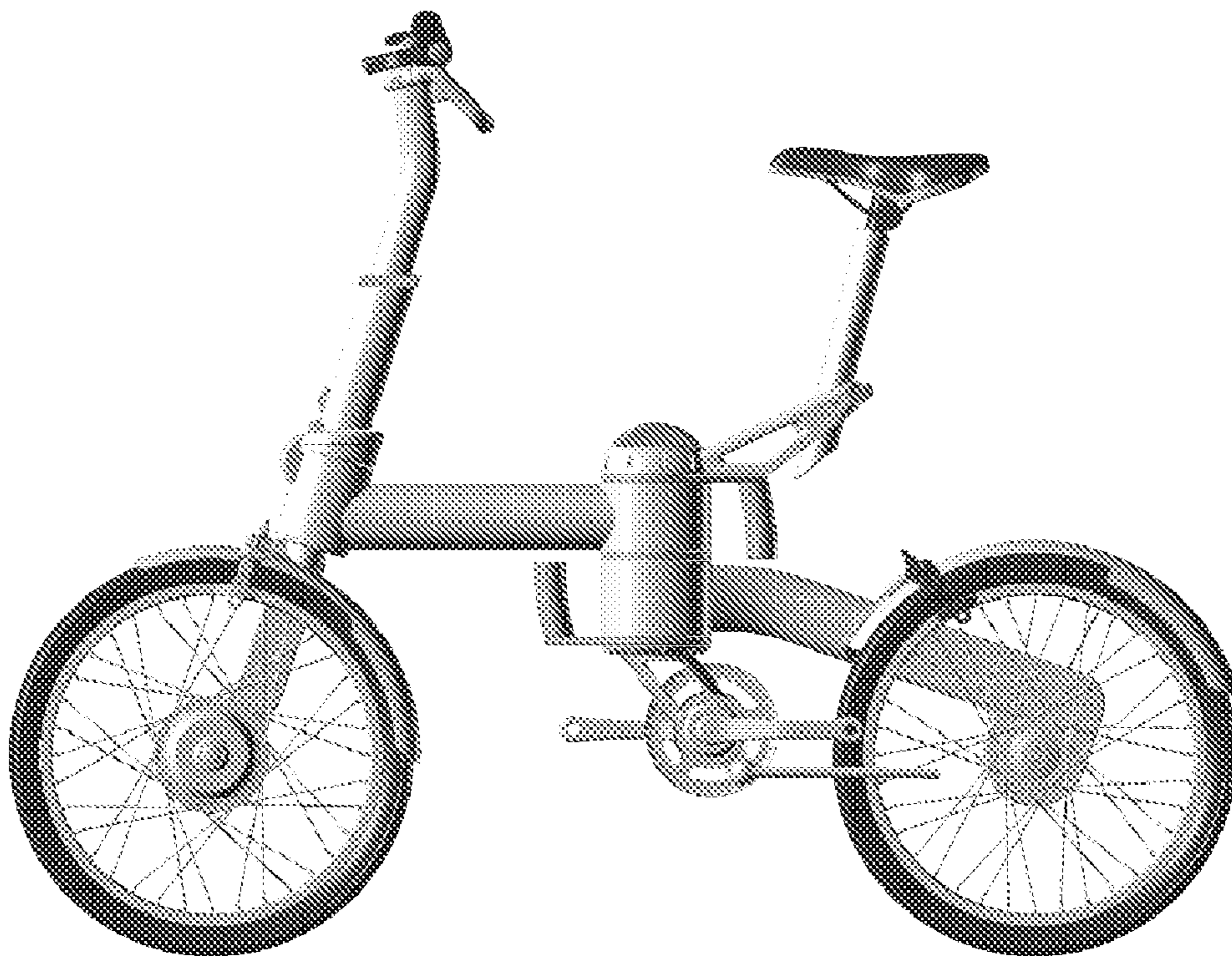


Fig. 6

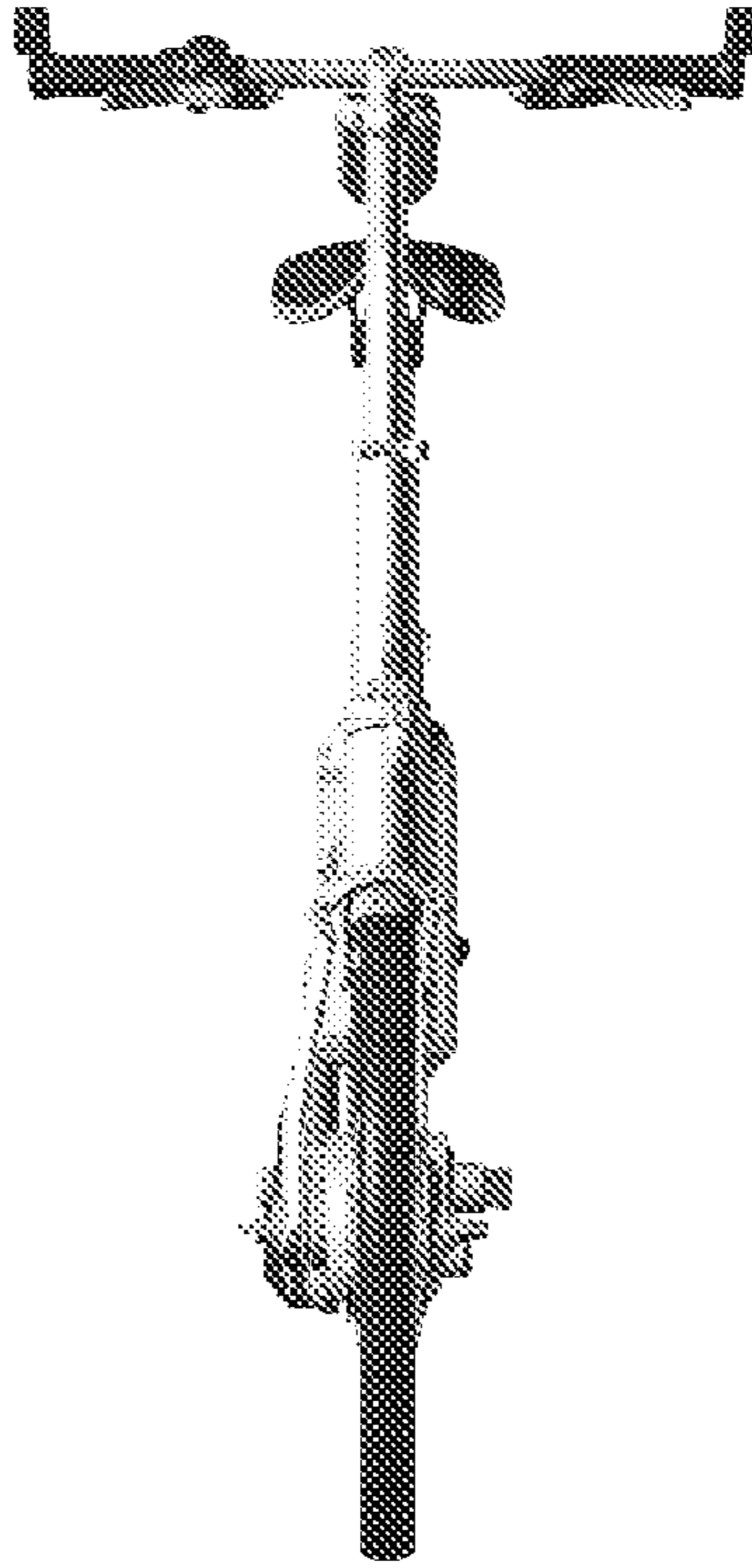


Fig. 7

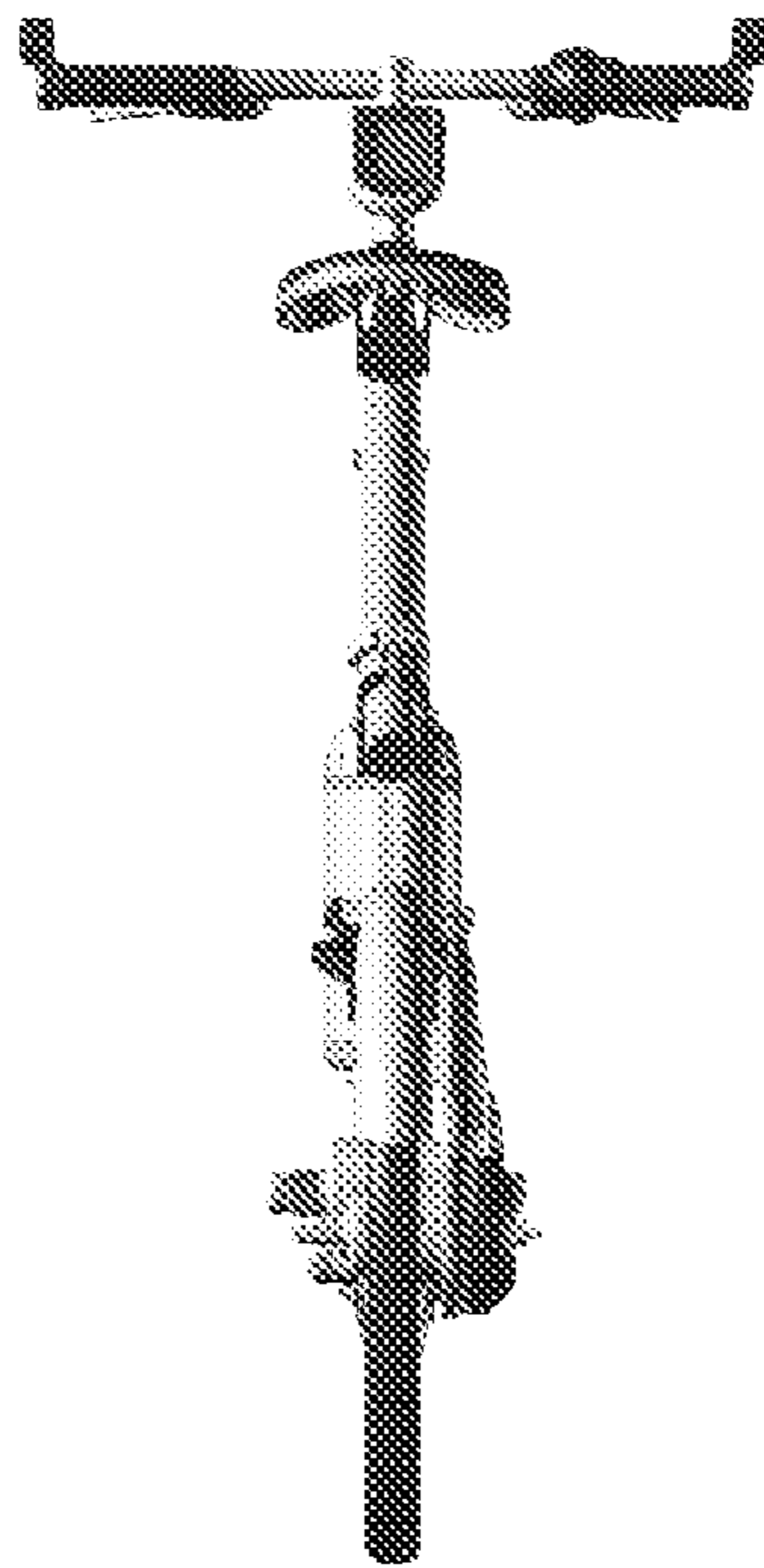


Fig. 8