



US00D617686S

(12) **United States Design Patent**
Lin

(10) **Patent No.:** **US D617,686 S**
(45) **Date of Patent:** **** Jun. 15, 2010**

(54) **HYBRID MOTORCYCLE**

(75) Inventor: **Sen-Yuan Lin**, Taichung (TW)

(73) Assignee: **Motive Power Industry Co., Ltd.**,
Changhua County (TW)

(**) Term: **14 Years**

(21) Appl. No.: **29/341,098**

(22) Filed: **Jul. 30, 2009**

(51) **LOC (9) Cl.** **12-11**

(52) **U.S. Cl.** **D12/110**

(58) **Field of Classification Search** D12/110;
180/219, 220, 65, 65.1, 226-228, 230, 291,
180/292, 299, 65.2-65.8, 65.21, 65.22, 65.26,
180/65.28, 65.29, 65.25, 65.51, 65.225
See application file for complete search history.

(56) **References Cited**

U.S. PATENT DOCUMENTS

D286,521 S * 11/1986 Tanaka et al. D12/110
D290,824 S * 7/1987 Miura et al. D12/110
6,276,481 B1 * 8/2001 Matsuto et al. 180/220
D529,415 S * 10/2006 Shimada et al. D12/110
7,255,188 B2 * 8/2007 Tsukada et al. 180/65.51

7,392,870 B2 * 7/2008 Kojima et al. 180/65.25
7,431,112 B2 * 10/2008 Masuda et al. 180/65.21
7,527,111 B2 * 5/2009 Katsuhiko et al. 180/65.225

* cited by examiner

Primary Examiner—Susan Moon Lee

Assistant Examiner—Linda G. Brooks

(74) *Attorney, Agent, or Firm*—Muncy, Geissler, Olds &
Lowe, PLLC

(57) **CLAIM**

The ornamental design for a hybrid motorcycle, as shown and described.

DESCRIPTION

FIG. 1 is a perspective view of a hybrid motorcycle showing my new design;

FIG. 2 is a front elevation view thereof;

FIG. 3 is a rear elevation view thereof;

FIG. 4 is a left side elevation view thereof;

FIG. 5 is a right side elevation view thereof;

FIG. 6 is a top plan view thereof; and,

FIG. 7 is a bottom plan view thereof.

1 Claim, 7 Drawing Sheets





FIG. 1

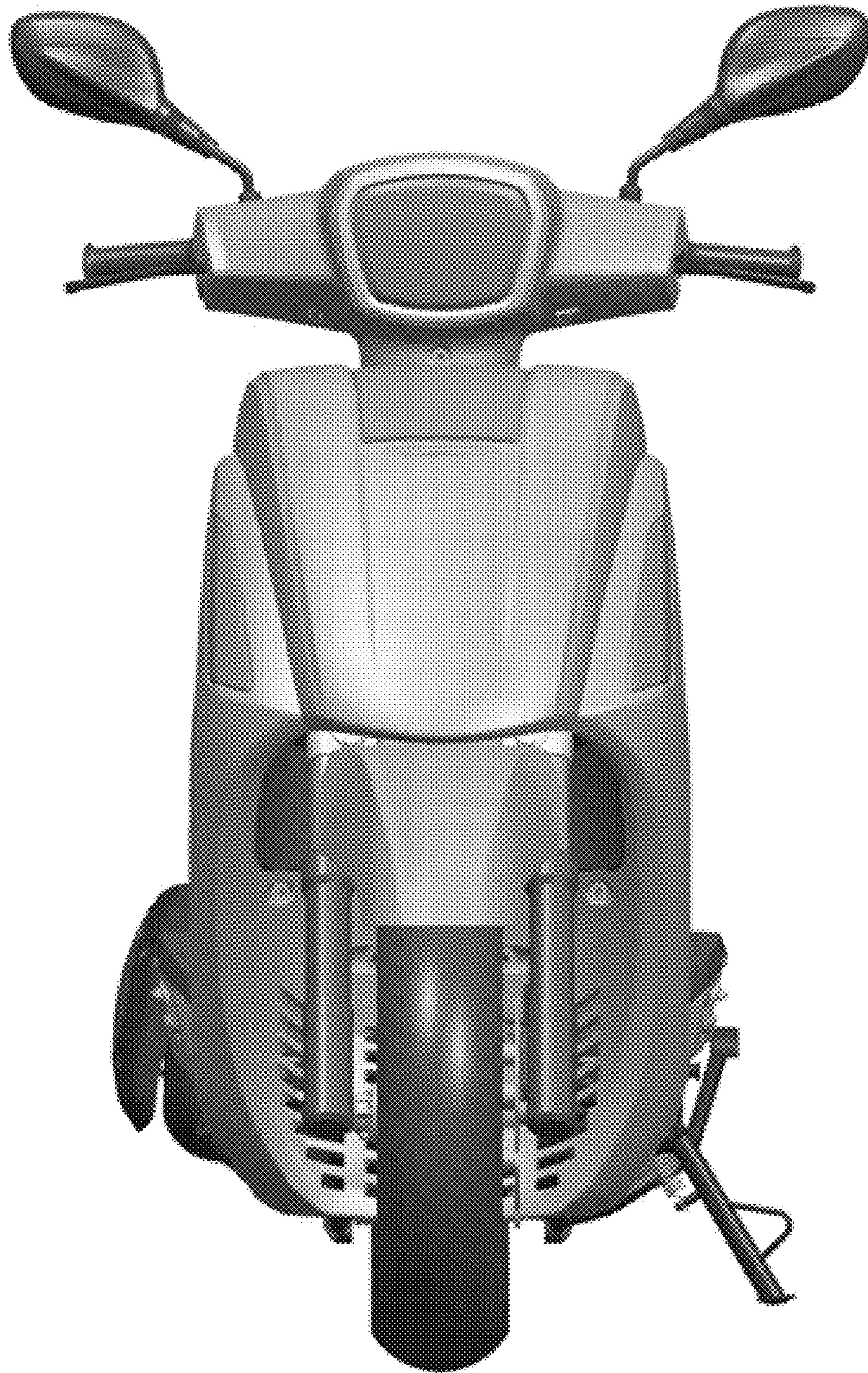


FIG. 2



FIG. 3



FIG. 4



FIG. 5

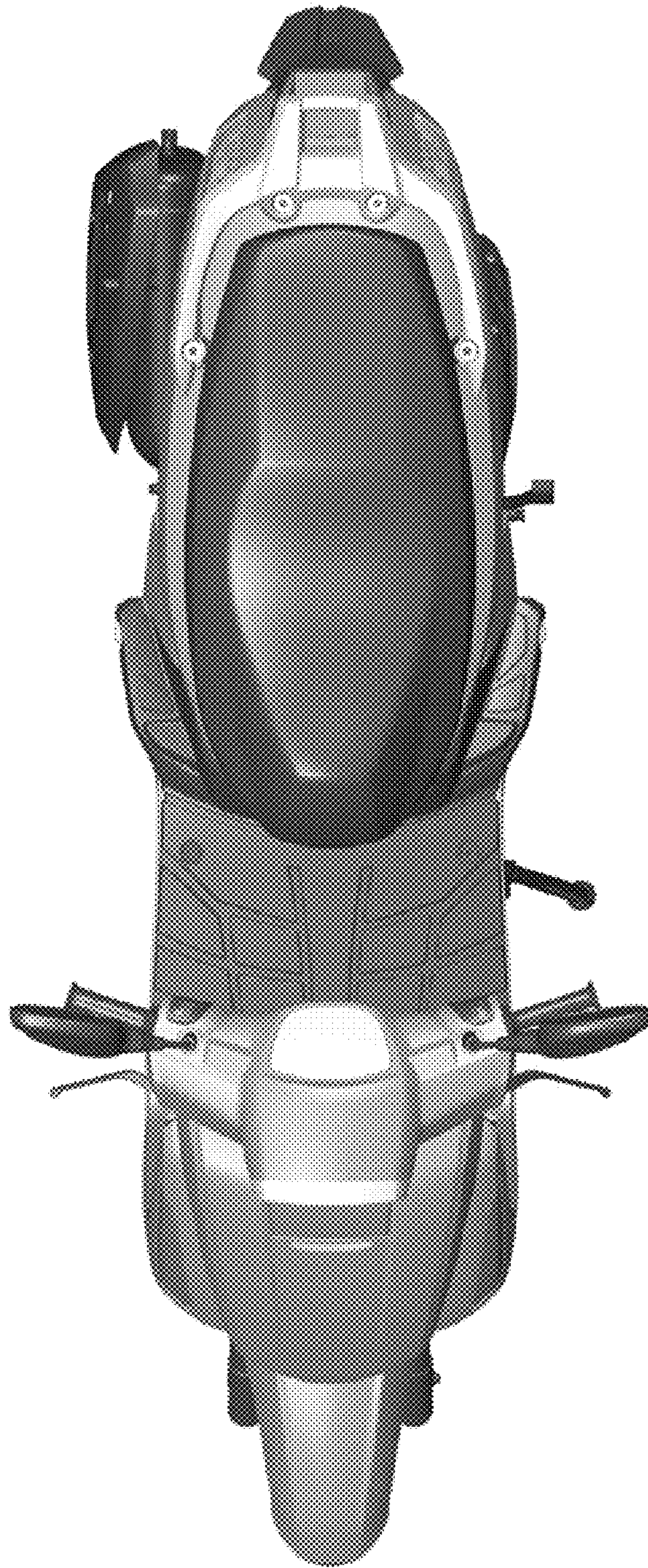


FIG. 6

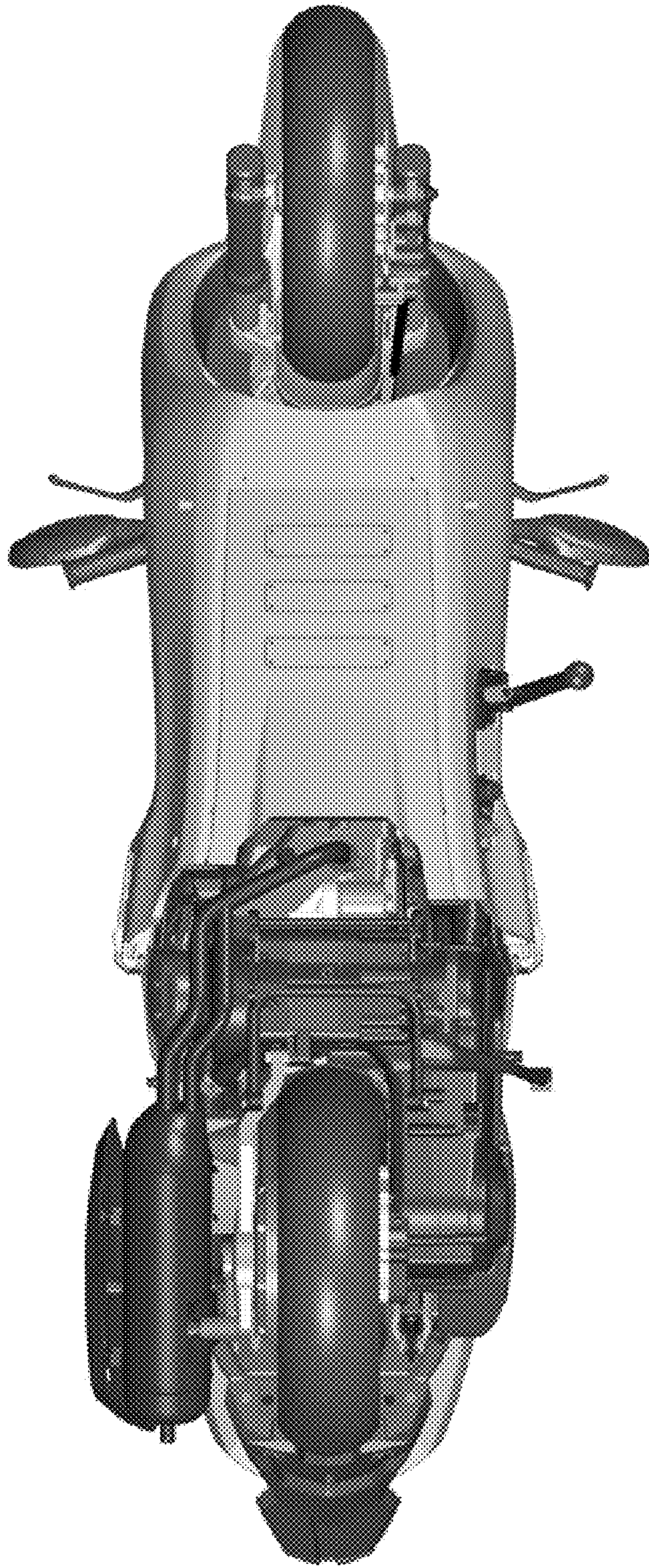


FIG. 7