



US00D617685S

(12) **United States Design Patent**
Rodabaugh

(10) **Patent No.:** **US D617,685 S**
(45) **Date of Patent:** **** Jun. 15, 2010**

(54) **TRAILER BODY**

(76) Inventor: **Daniel Karl Rodabaugh**, 23686 Ramble
Wood La., Elkhart, IN (US) 46516

(**) Term: **14 Years**

(21) Appl. No.: **29/344,358**

(22) Filed: **Sep. 28, 2009**

(51) **LOC (9) Cl.** **12-10**

(52) **U.S. Cl.** **D12/103**

(58) **Field of Classification Search** D12/19,
D12/129, 101-106, 111-112; D21/424,
D21/435; D34/21-26, 12, 14, 17-19; 280/204,
280/63, 475, 482, 648, 763.1, 47.25; 296/173,
296/181, 10, 61, 100.01-100.08
See application file for complete search history.

(56) **References Cited**

U.S. PATENT DOCUMENTS

D159,326 S *	7/1950	Eldridge	D12/103
D542,183 S *	5/2007	Van Buuren	D12/102
D542,185 S *	5/2007	Remington	D12/103
D546,245 S *	7/2007	Heard	D12/102
D603,299 S *	11/2009	Prusmack	D12/102
7,651,114 B2 *	1/2010	Weber et al.	280/477
D610,489 S *	2/2010	Rodabaugh	D12/102
2003/0107234 A1 *	6/2003	Votruba et al.	296/100.06

2005/0017540 A1 *	1/2005	Leigh	296/173
2008/0150317 A1 *	6/2008	Kilcrease	296/100.06
2009/0032325 A1 *	2/2009	Frieb-Preis et al.	180/286

* cited by examiner

Primary Examiner—Caron Veynar
Assistant Examiner—Katrina A Kile
(74) *Attorney, Agent, or Firm*—Botkin & Hall, LLP

(57) **CLAIM**

The ornamental design of a trailer body, as shown and described.

DESCRIPTION

FIG. 1 is a front perspective view of the trailer body according to my design;

FIG. 2 is a rear perspective view thereof;

FIG. 3 is a left side elevational view thereof;

FIG. 4 is a right side elevational view thereof;

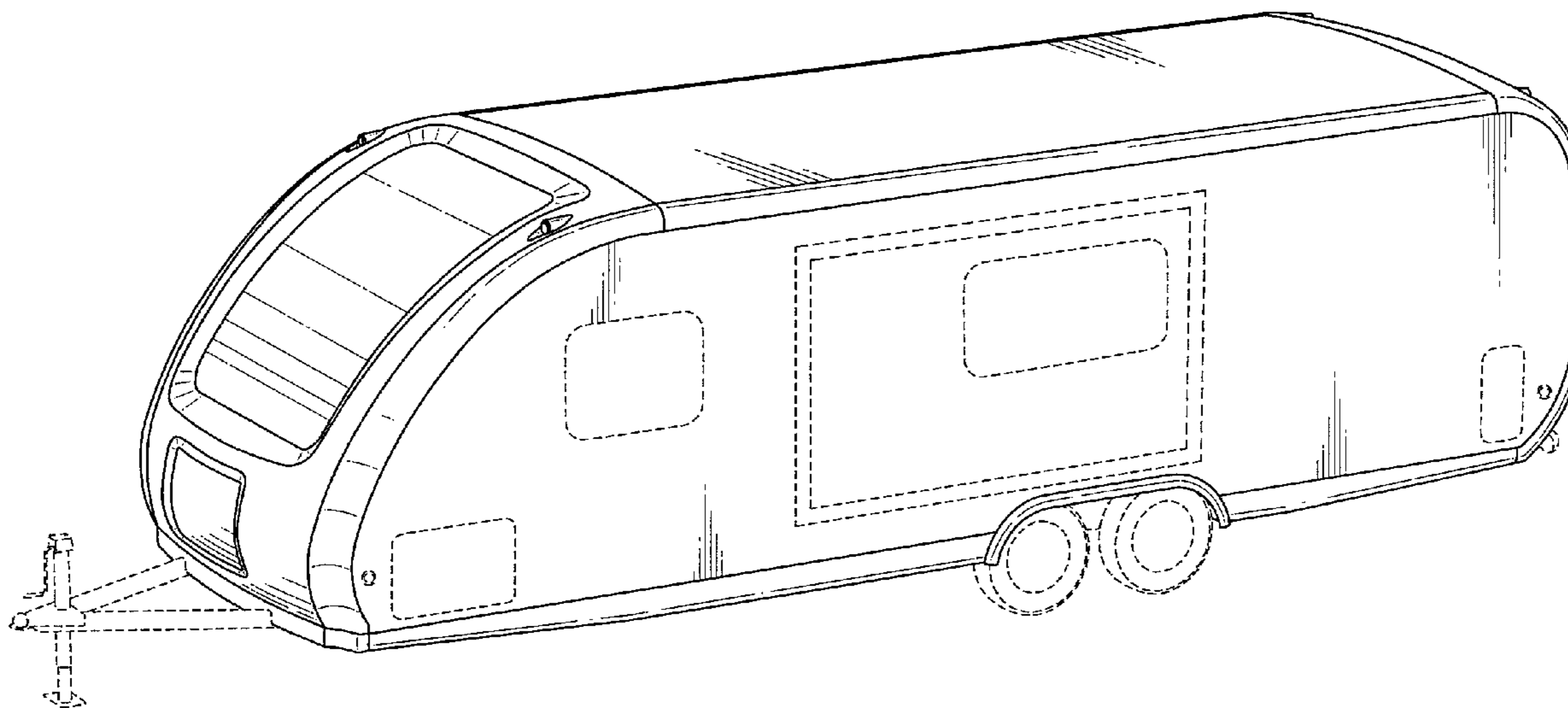
FIG. 5 is a front elevational view thereof;

FIG. 6 is a rear elevational view thereof; and,

FIG. 7 is a top plan view thereof.

In the drawings, the broken lines depict portions of a trailer body only and form no part of the claimed design.

1 Claim, 6 Drawing Sheets



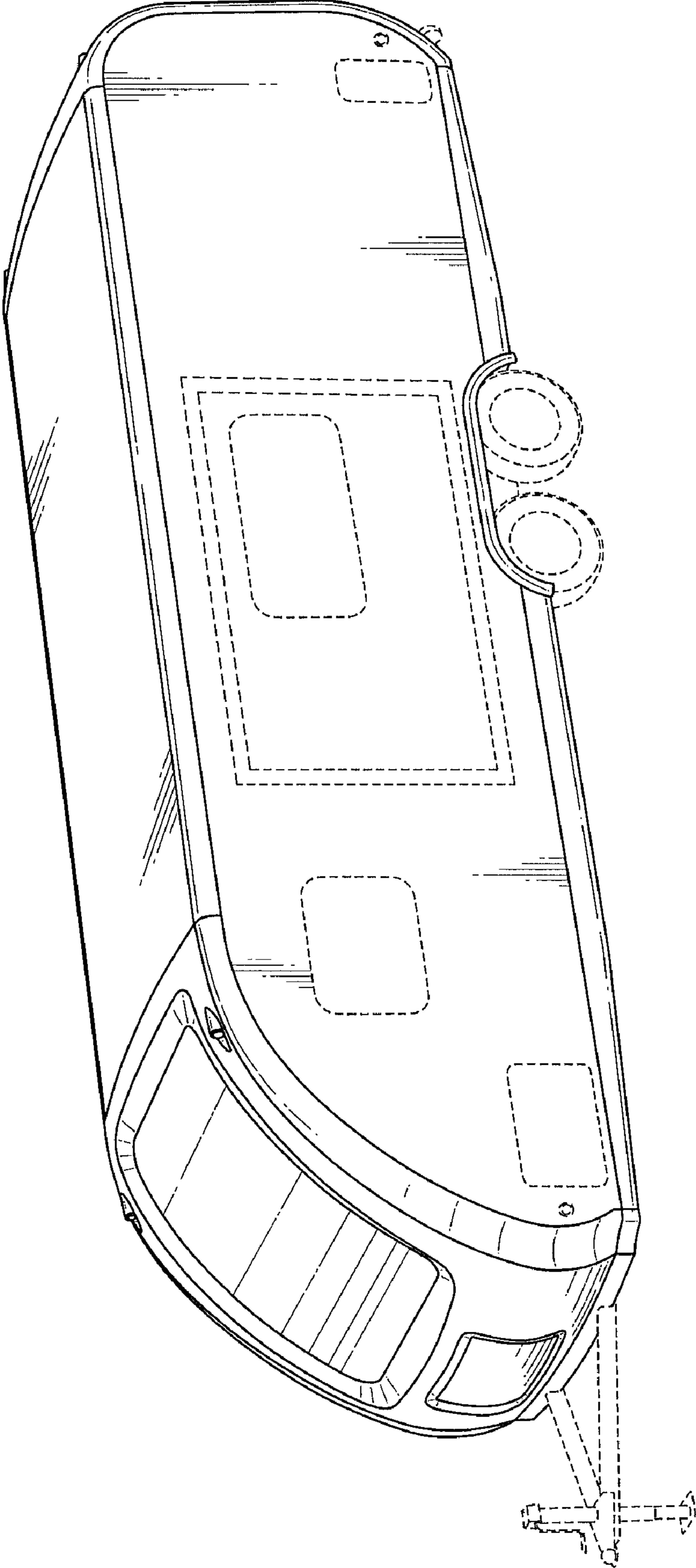


FIG. 1

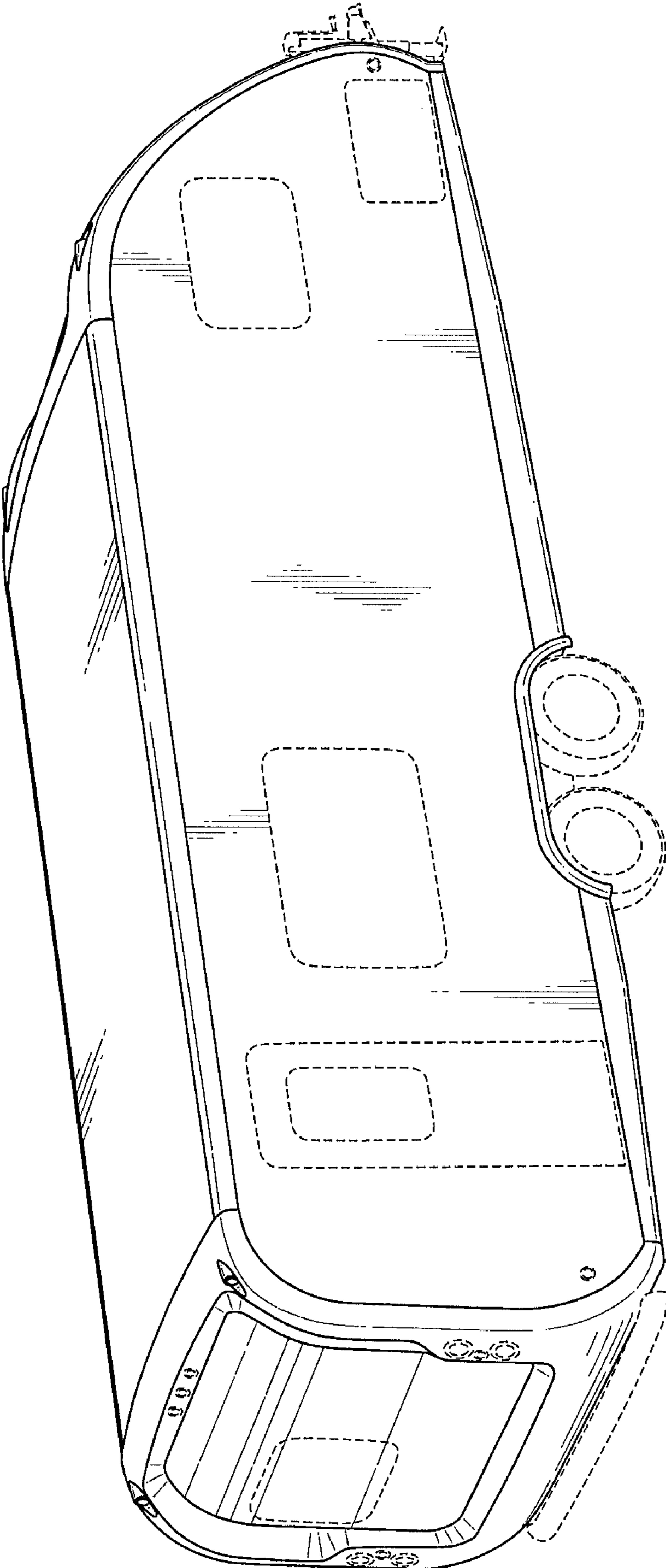


FIG. 2

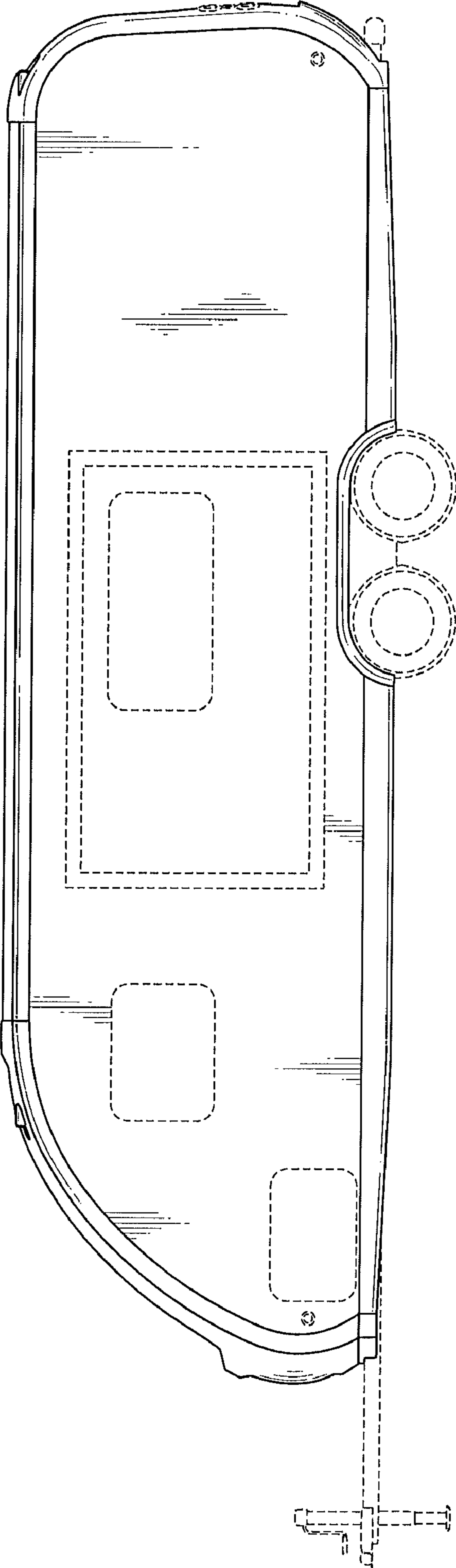


FIG. 3

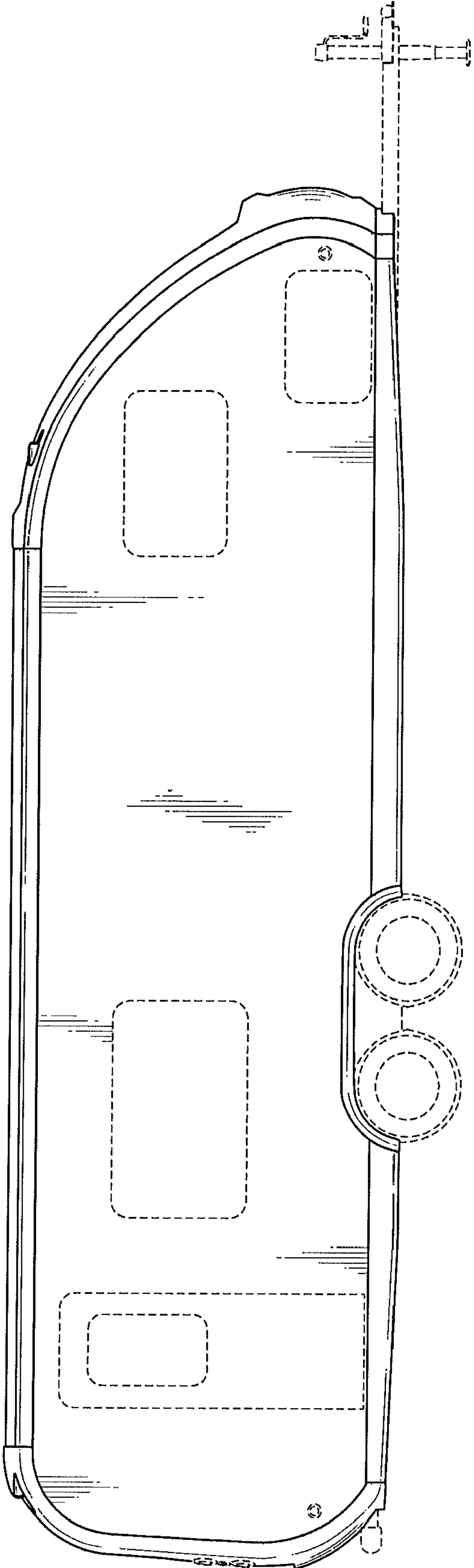


FIG. 4

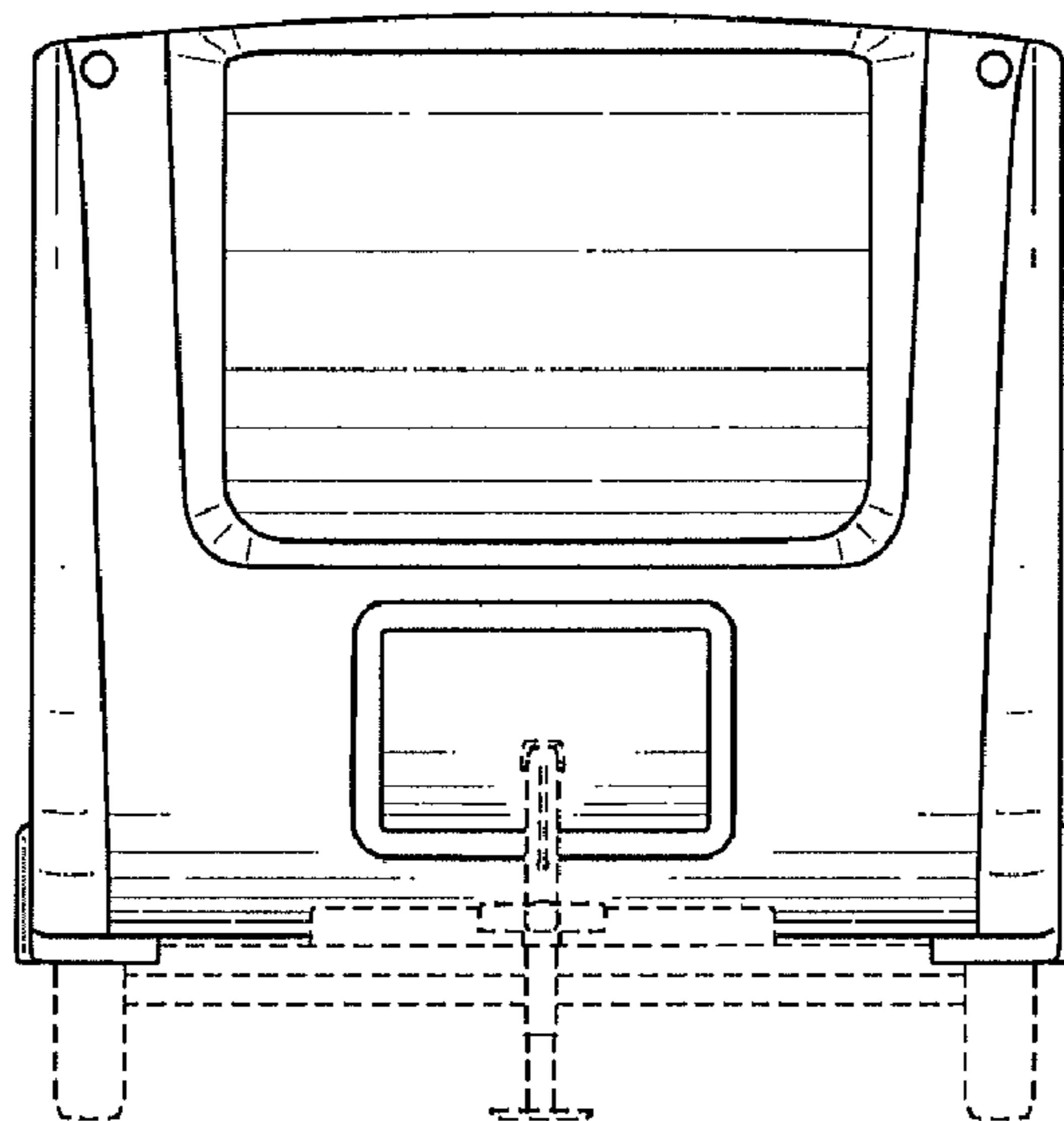


FIG. 5

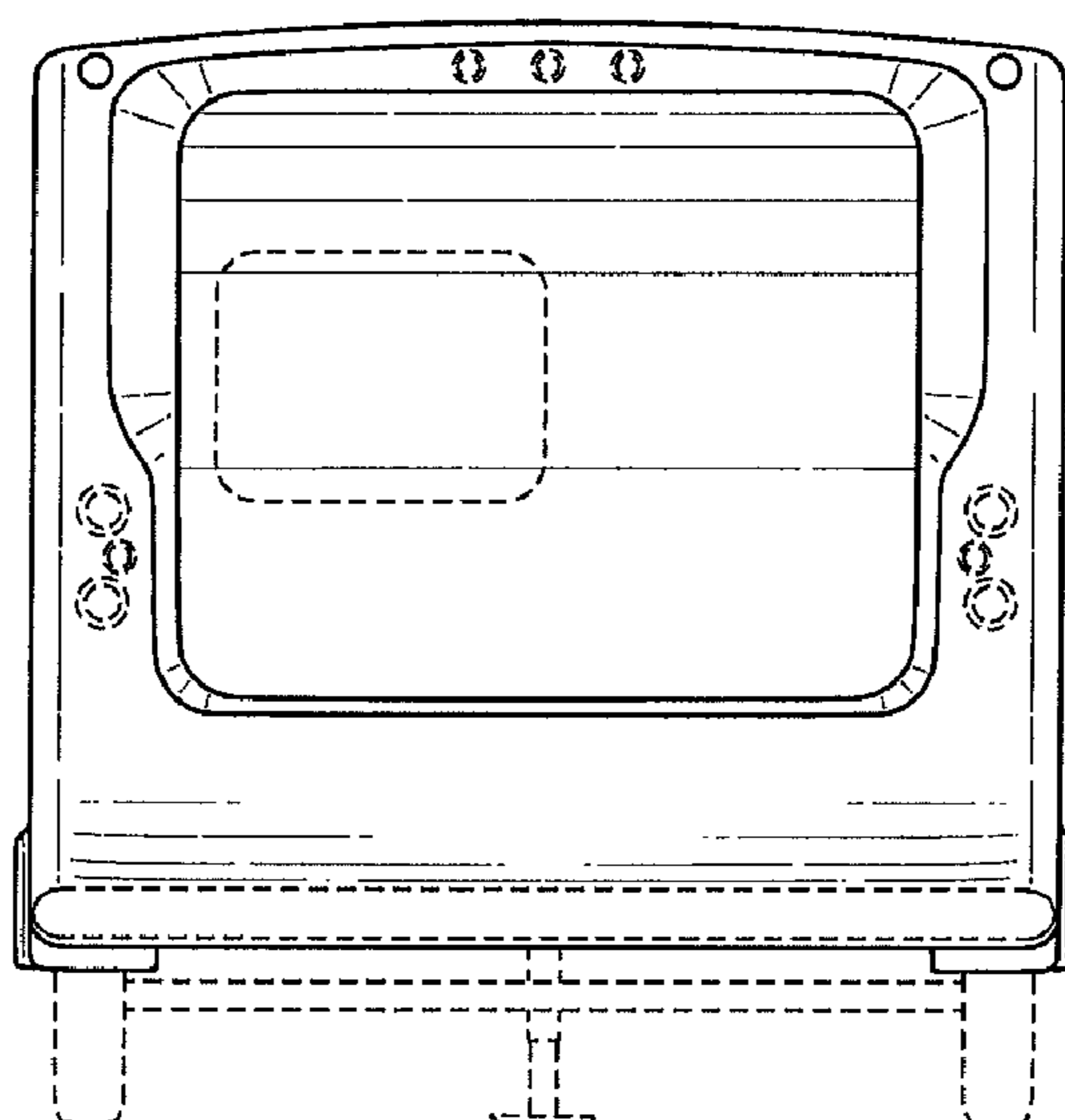


FIG. 6

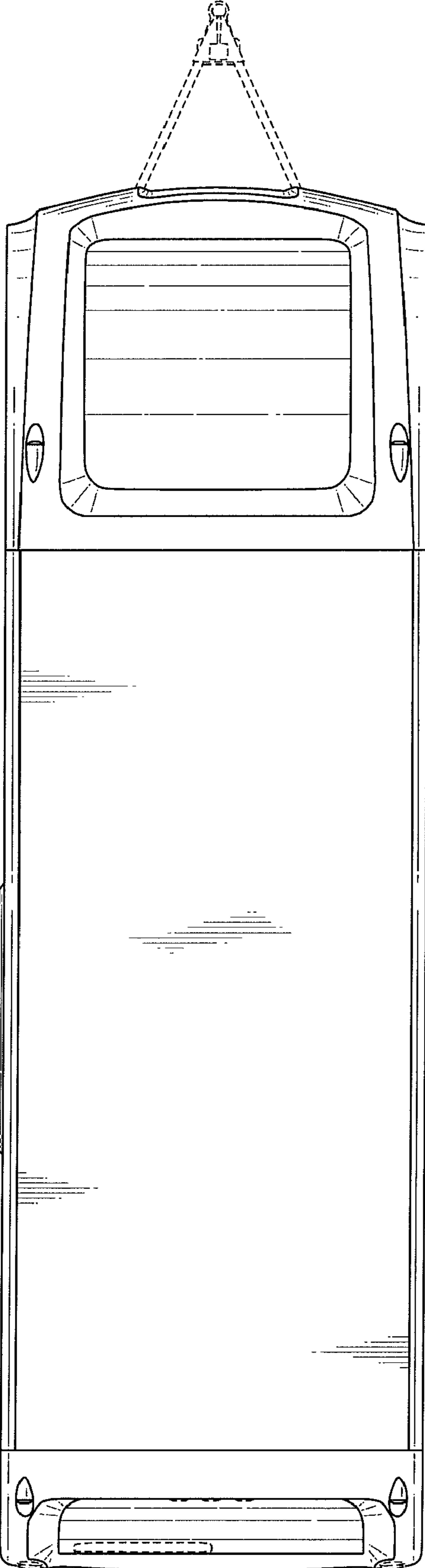


FIG. 7