



US00D617681S

(12) **United States Design Patent**
Tuo

(10) **Patent No.:** **US D617,681 S**
(45) **Date of Patent:** **** Jun. 15, 2010**

(54) **GOLF CART**

(75) Inventor: **Xinyong Tuo**, Suzhou (CN)

(73) Assignee: **Suzhou Eagle Electrical Vehicle Manufacturing Co., Ltd**, Suzhou (CN)

(**) Term: **14 Years**

(21) Appl. No.: **29/328,156**

(22) Filed: **Nov. 19, 2008**

(30) **Foreign Application Priority Data**

Jul. 11, 2008 (CN) 2008 3 0196120

(51) **LOC (9) Cl.** **12-02**

(52) **U.S. Cl.** **D12/16**

(58) **Field of Classification Search** D12/87,
D12/86, 1, 433, 15, 16, 107, 82, 88, 89, 90,
D12/91, 92, 93; D15/30; D21/803; 180/233,
180/908; 280/DIG. 5, 183, 184, 185, 186,
280/28, 37.7

See application file for complete search history.

(56) **References Cited**

U.S. PATENT DOCUMENTS

D498,704 S * 11/2004 Bonner et al. D12/16
6,883,846 B2 * 4/2005 Cheek et al. 296/1.02
D514,981 S * 2/2006 Andrews et al. D12/16
D541,699 S * 5/2007 Andrews et D12/16
D571,689 S * 6/2008 Andrews et al. D12/16

7,484,758 B2 * 2/2009 Hanson et al. 280/748
D588,957 S * 3/2009 Tuo D12/16
D589,397 S * 3/2009 Tuo D12/1
7,527,319 B2 * 5/2009 Ball et al. 296/102
2005/0224539 A1 * 10/2005 Hardy et al. 224/274
2007/0216180 A1 * 9/2007 Hanson et al. 296/1.08
2007/0267237 A1 * 11/2007 Hanson et al. 180/89.1

* cited by examiner

Primary Examiner—T. Chase Nelson

Assistant Examiner—Ania K Dworzecka

(74) *Attorney, Agent, or Firm*—Birch, Stewart, Kolasch & Birch, LLP

(57) **CLAIM**

The ornamental design for the golf cart, as shown and described.

DESCRIPTION

FIG. 1 is a front perspective view of a golf cart showing my new design;

FIG. 2 is a left side elevational view thereof;

FIG. 3 is a right side elevational view thereof;

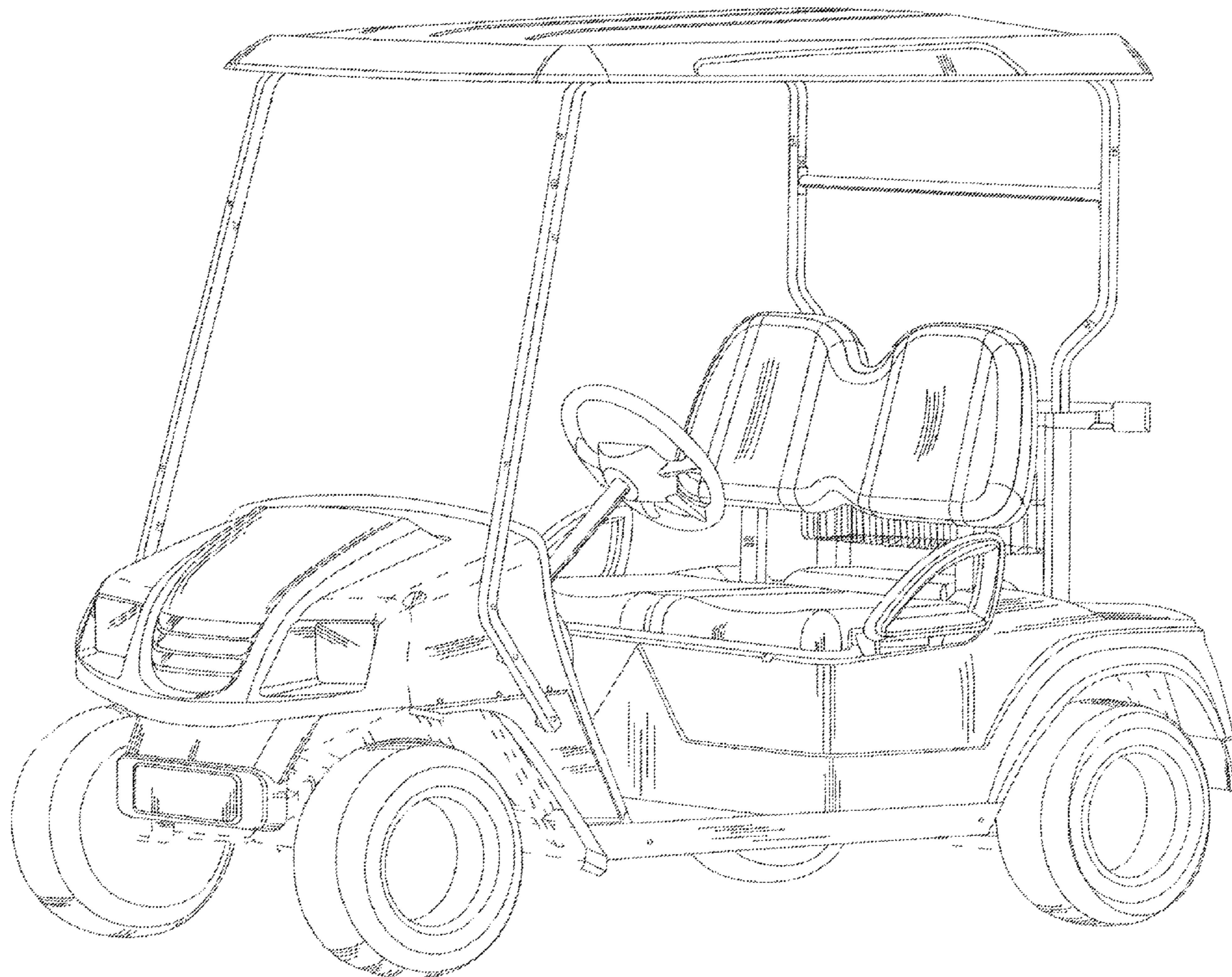
FIG. 4 is a front elevational view thereof;

FIG. 5 is a rear elevational view thereof; and,

FIG. 6 is a top plan view thereof.

The portions of the golf cart shown in broken lines form no part of the claimed design.

1 Claim, 6 Drawing Sheets



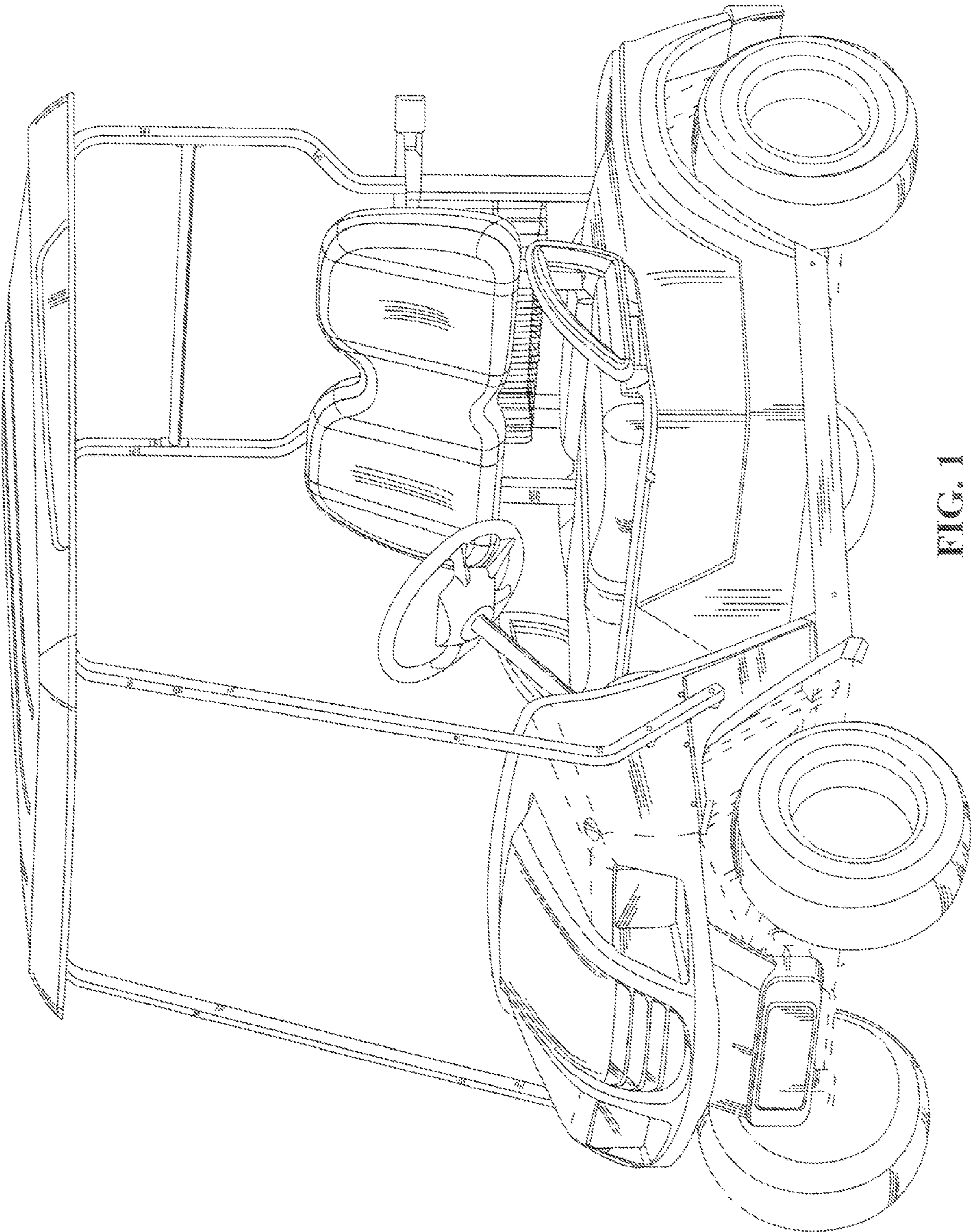


FIG. 1

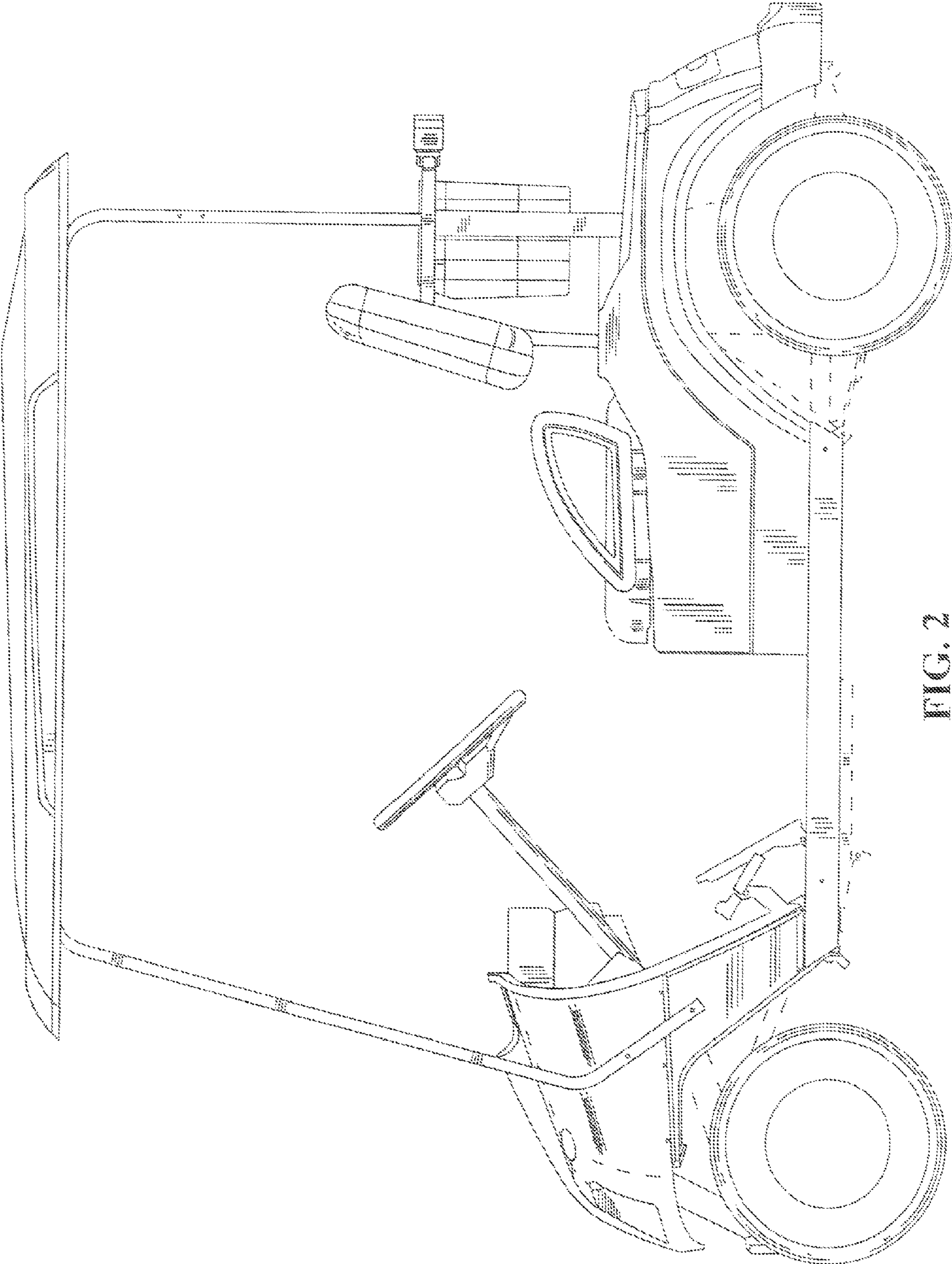


FIG. 2

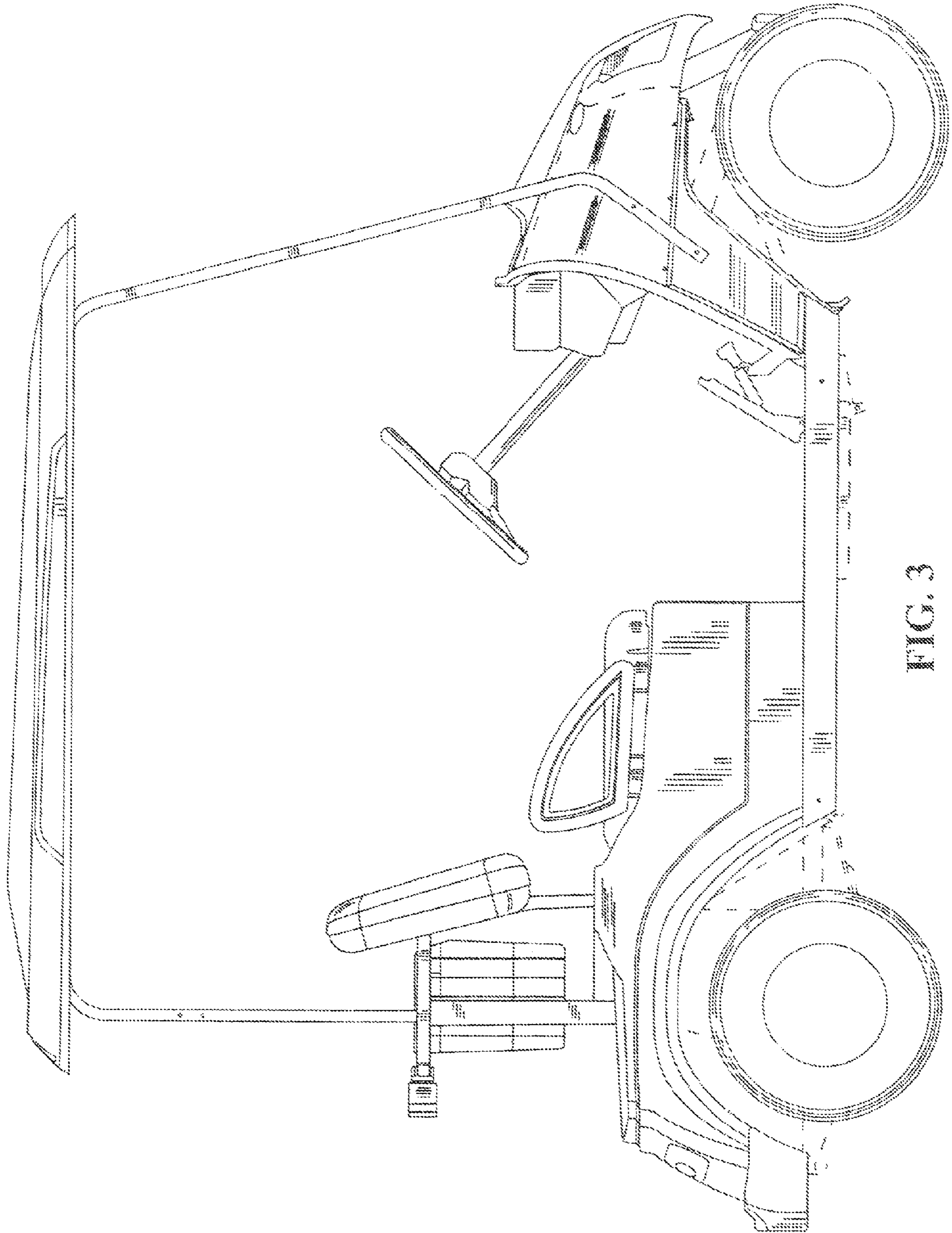


FIG. 3

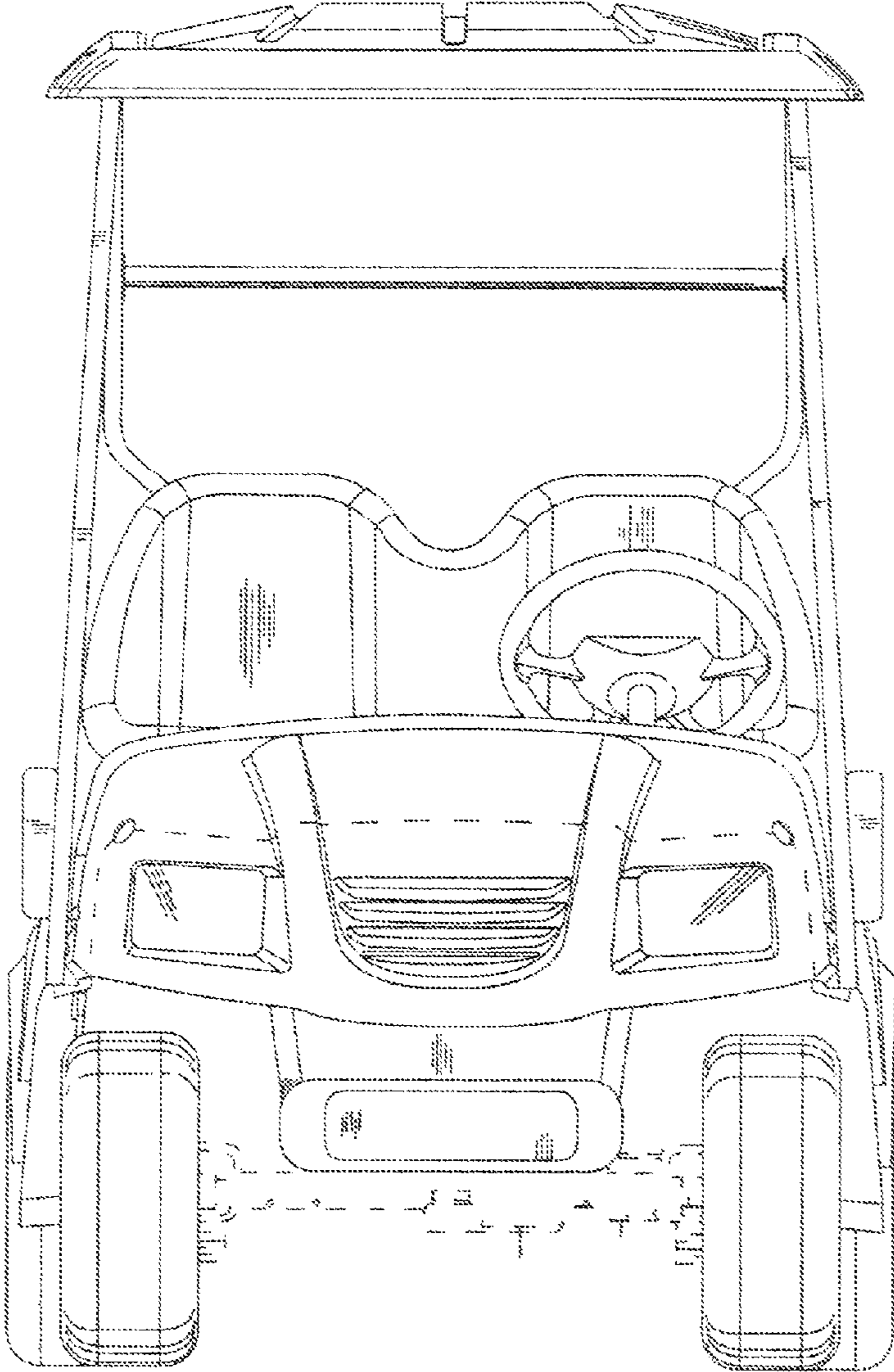


FIG. 4

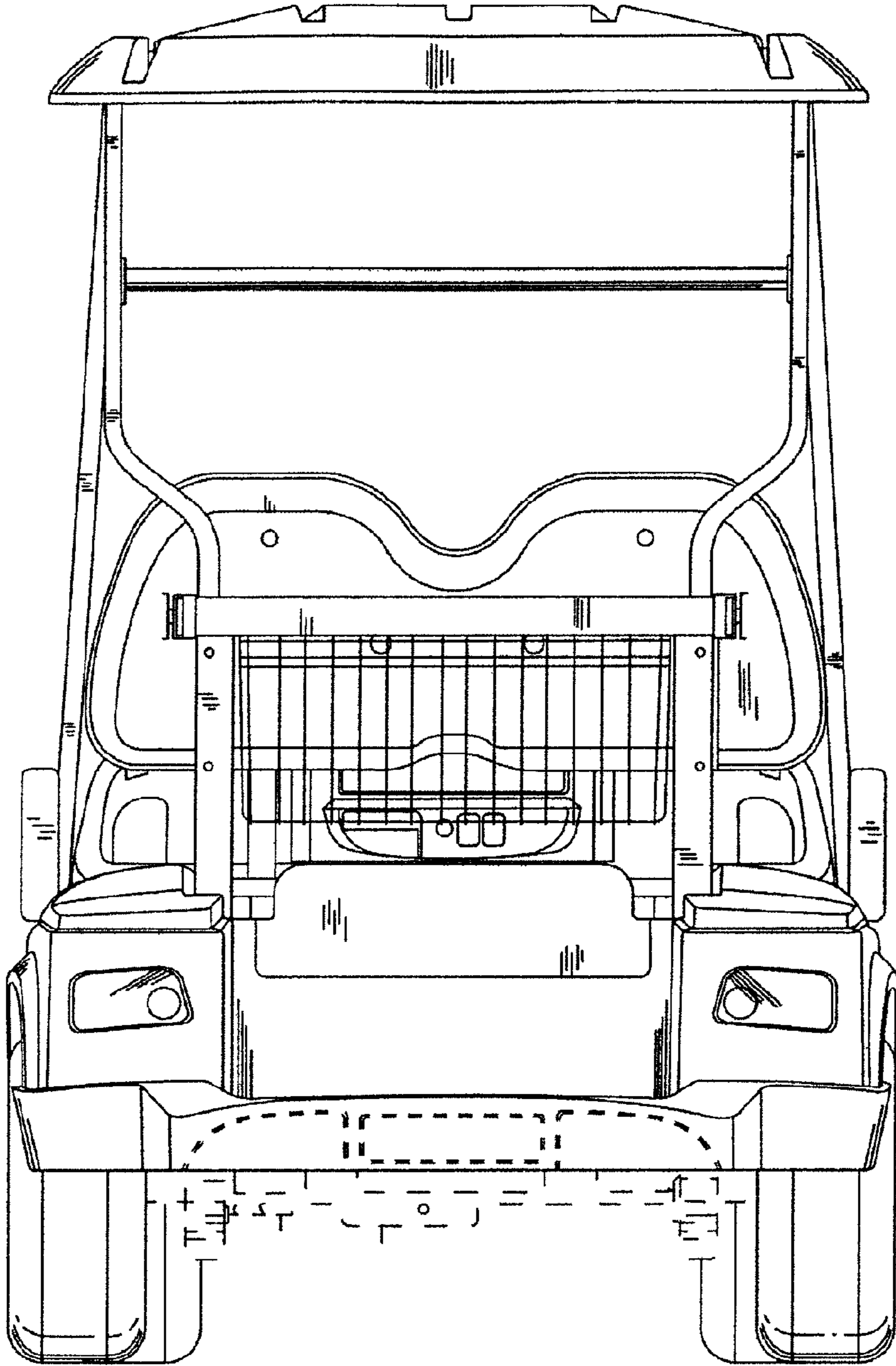


Fig. 5

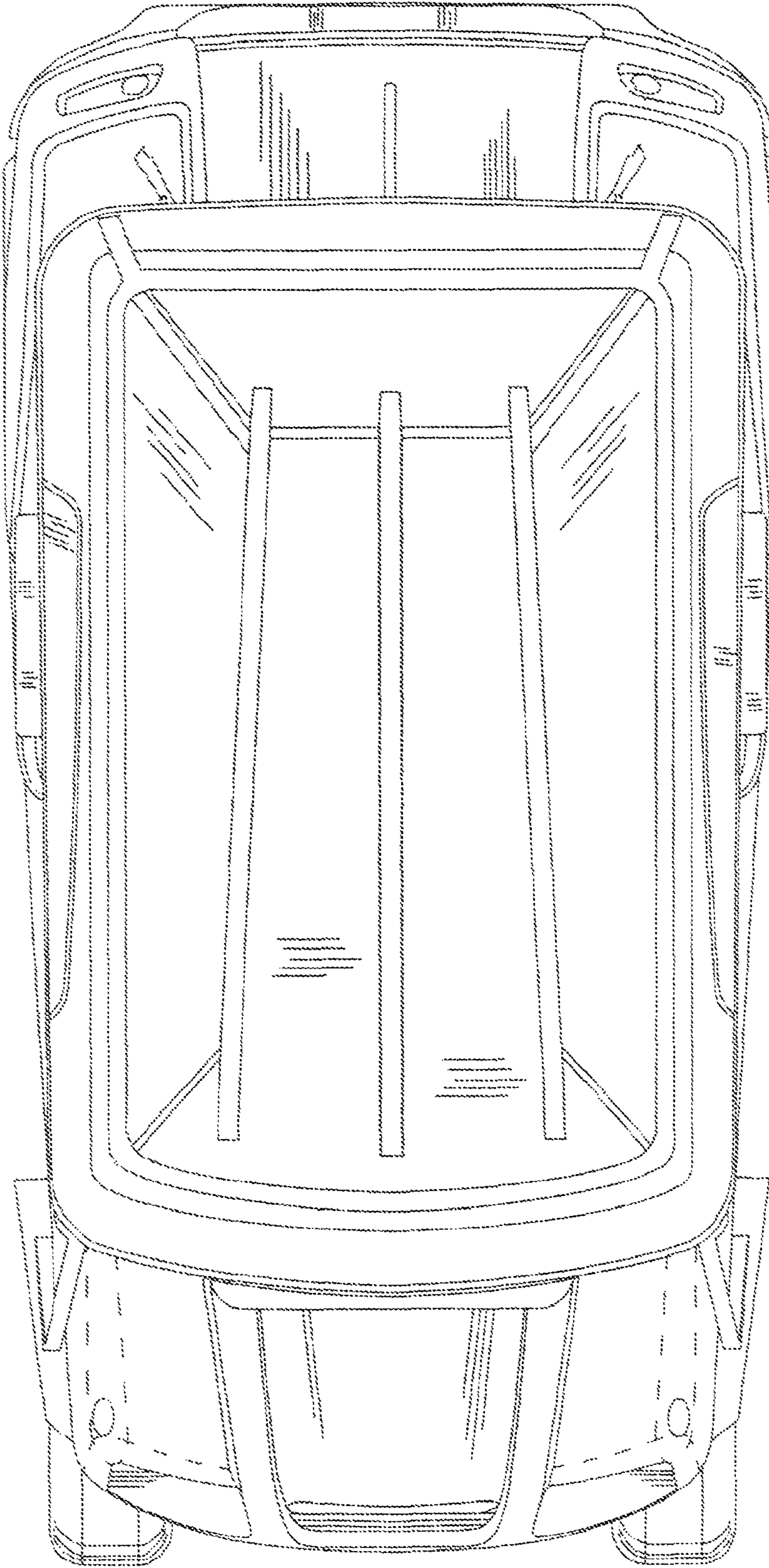


FIG. 6