



US00D617680S

(12) **United States Design Patent**  
**Graff**

(10) **Patent No.:** **US D617,680 S**  
(45) **Date of Patent:** **\*\* Jun. 15, 2010**

(54) **CUFFLINK**

D579,372 S \* 10/2008 Bulgari ..... D11/35

(75) Inventor: **Laurence Graff**, Gstaad (CH)

\* cited by examiner

(73) Assignee: **Venberg SA** (CH)

*Primary Examiner*—Catherine R Oliver  
(74) *Attorney, Agent, or Firm*—Galbreath Law Offices, P.C.;  
John A. Galbreath

(\*\*) Term: **14 Years**

(21) Appl. No.: **29/342,358**

(57) **CLAIM**

(22) Filed: **Aug. 24, 2009**

The ornamental design for a cufflink, as shown and described.

(51) **LOC (9) Cl.** ..... **02-07**

(52) **U.S. Cl.** ..... **D11/222**

(58) **Field of Classification Search** ..... D11/222,  
D11/200, 213–216, 226–228, 35–36; 24/42–43;  
63/27, 29.1

See application file for complete search history.

**DESCRIPTION**

FIG. 1 is a perspective view of the invention;  
FIG. 2 is a top view of the invention;  
FIG. 3 is a bottom view of the invention;  
FIG. 4 is a side view of the invention;  
FIG. 5 is another side view of the invention, showing the side  
opposite that shown in FIG. 4;  
FIG. 6 is a front view of the invention; and,  
FIG. 7 is a rear view of the invention.

(56) **References Cited**

**U.S. PATENT DOCUMENTS**

D70,769 S \* 8/1926 Ormsbee ..... D11/213  
D106,499 S \* 10/1937 Broder ..... D11/222  
3,014,354 A \* 12/1961 McCary ..... 63/27  
D508,432 S \* 8/2005 Cogoli et al. .... D11/222

**1 Claim, 1 Drawing Sheet**

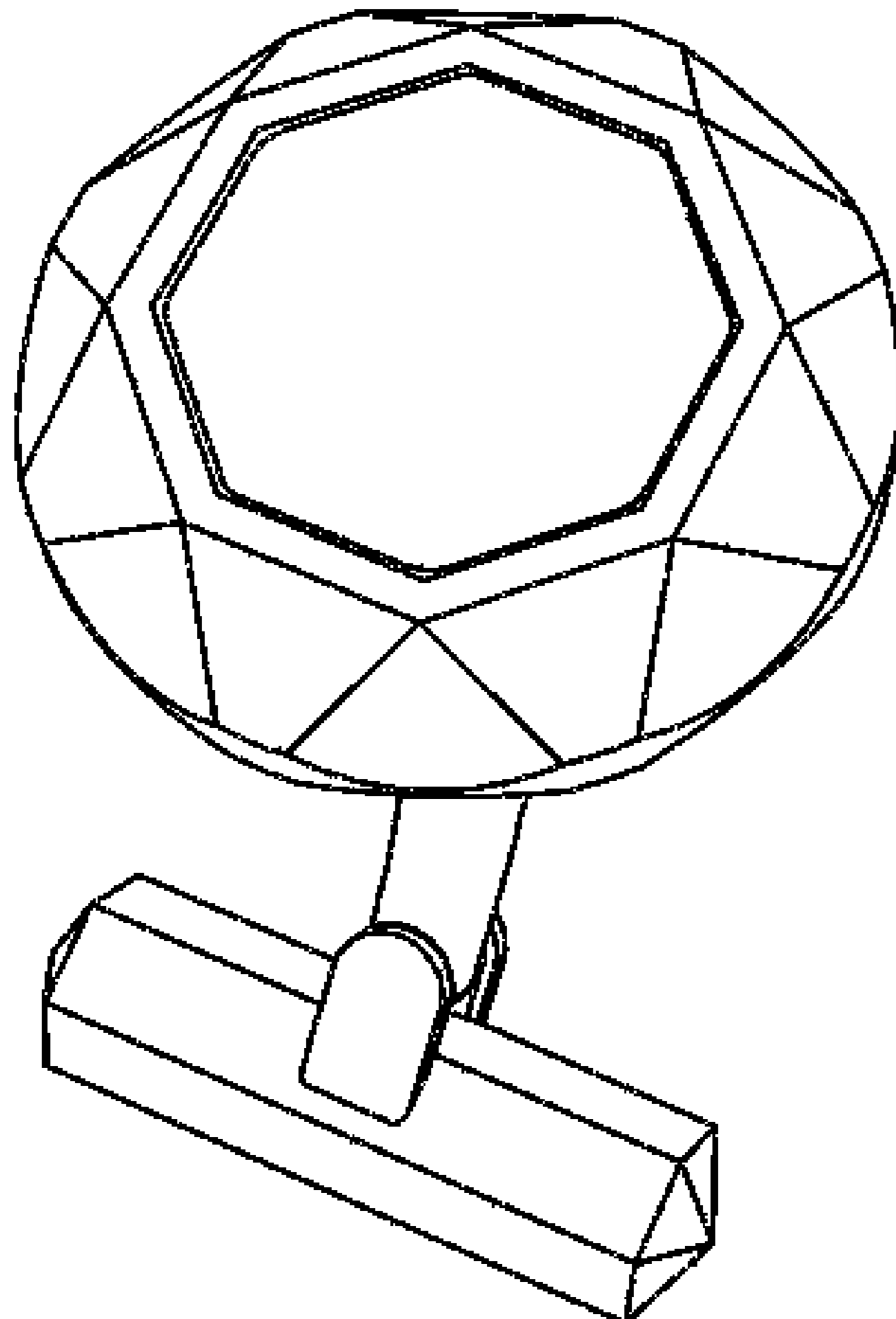


Fig. 4

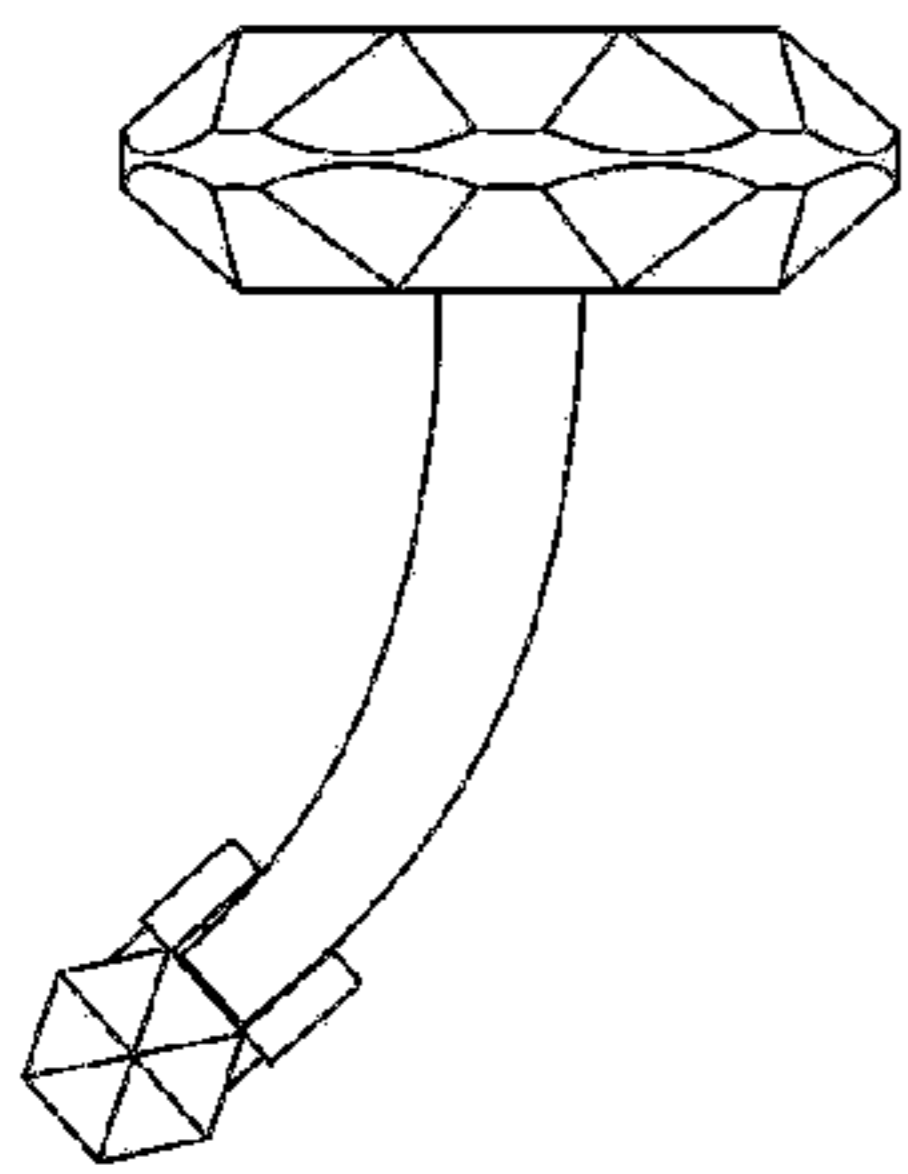


Fig. 5

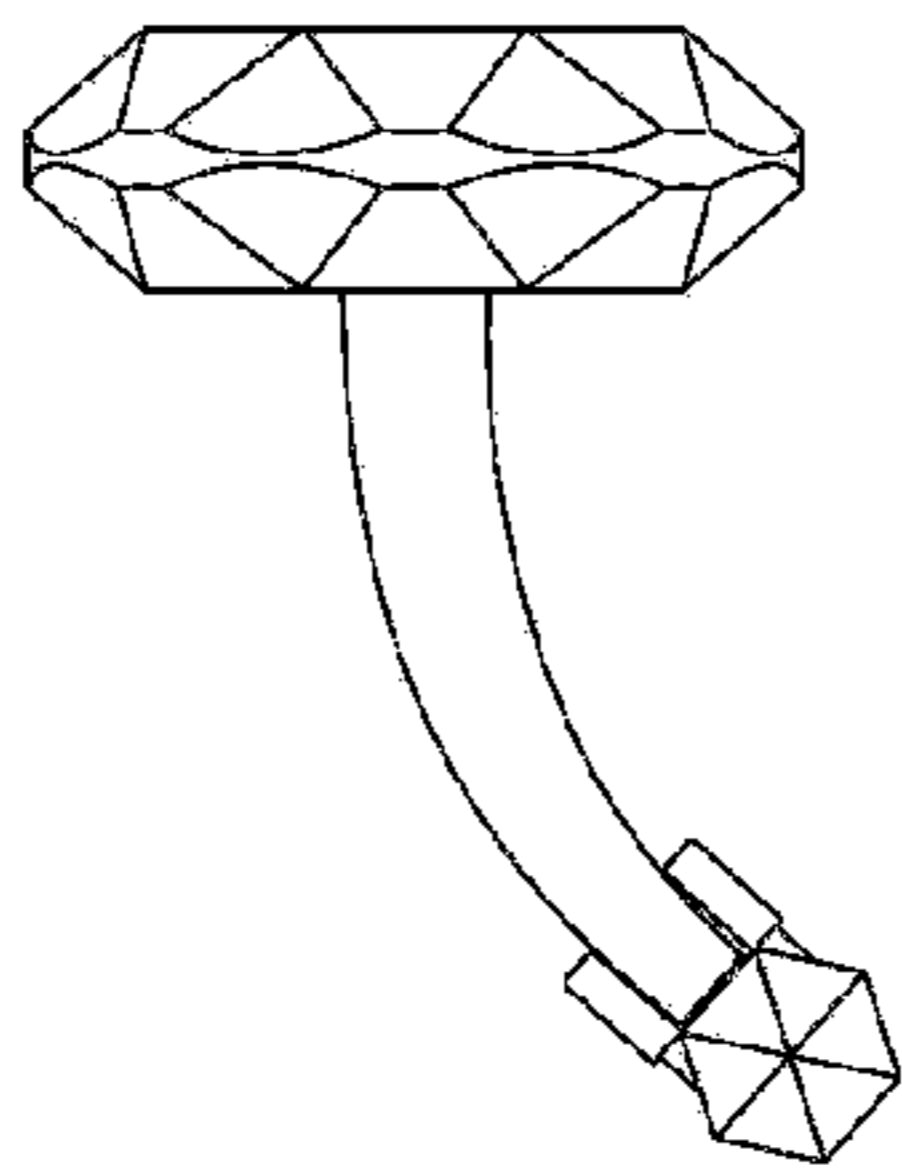


Fig. 6

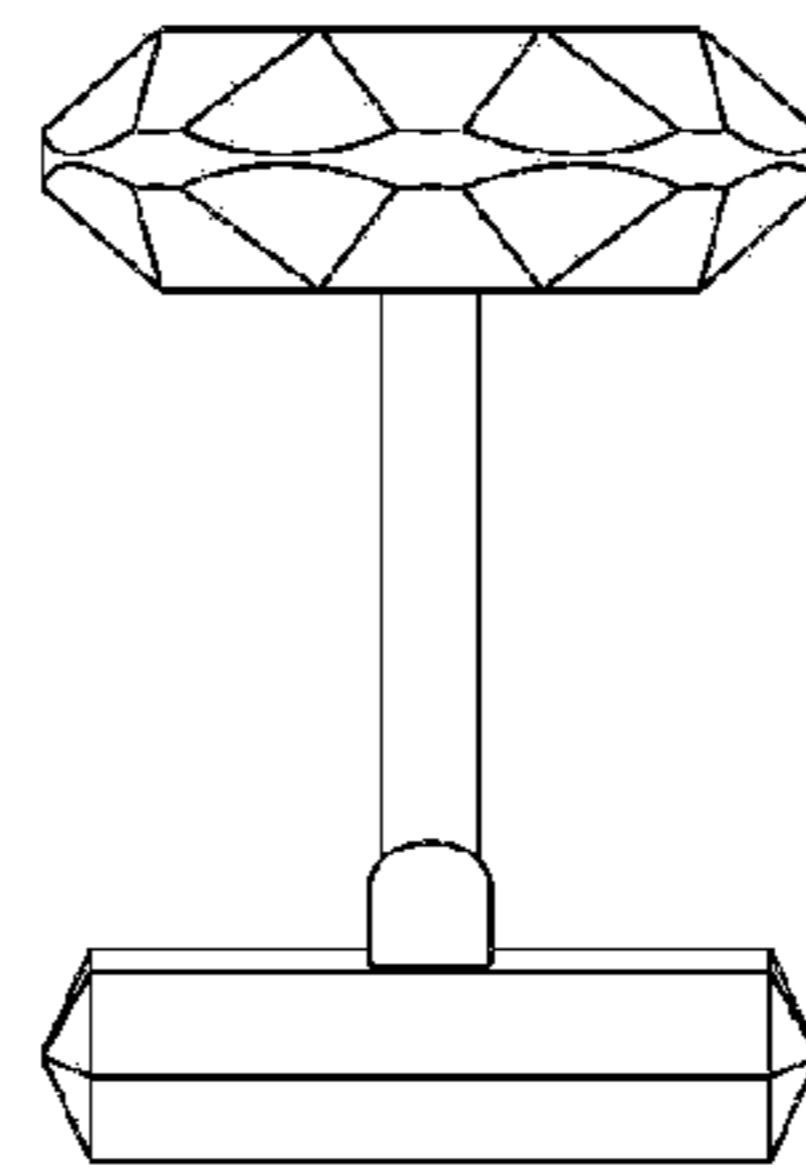


Fig. 7

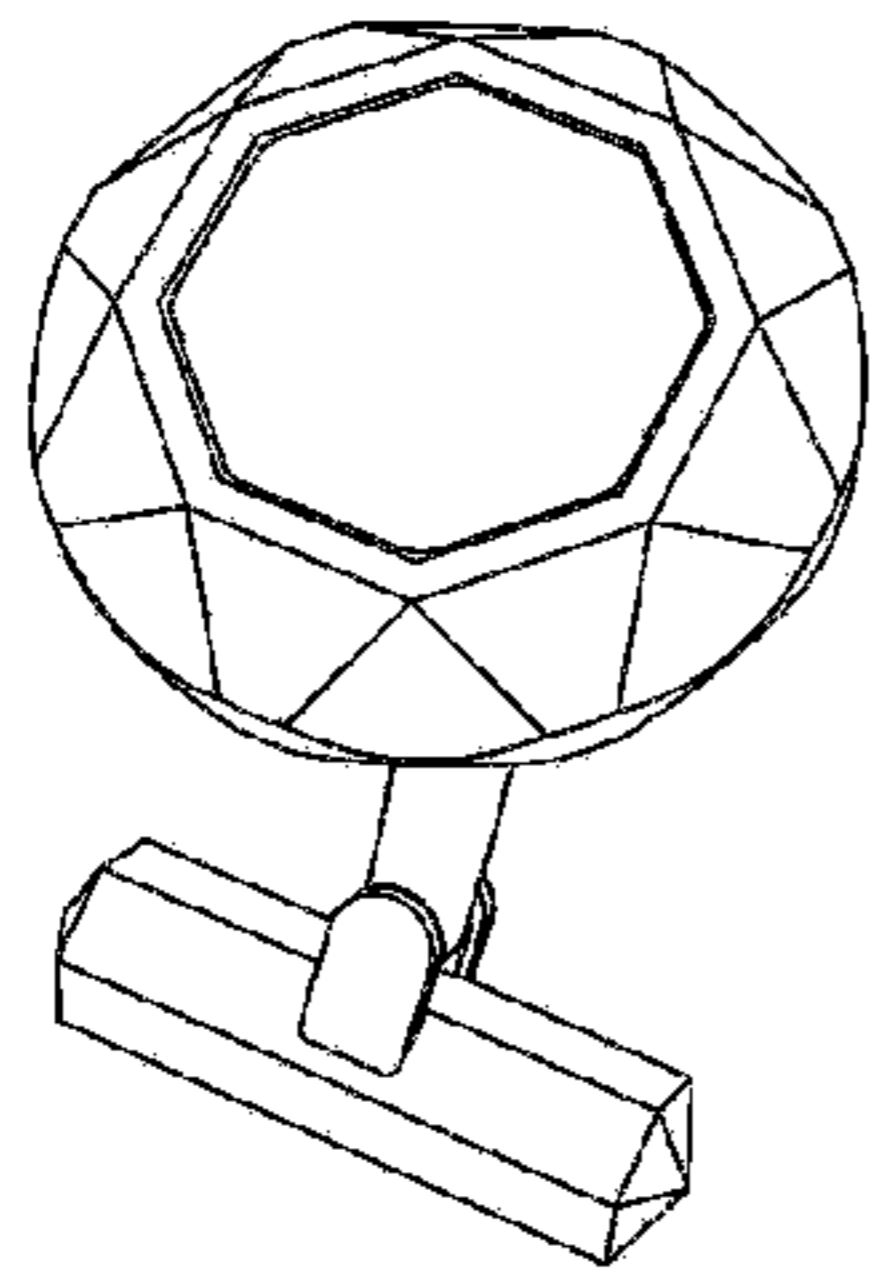
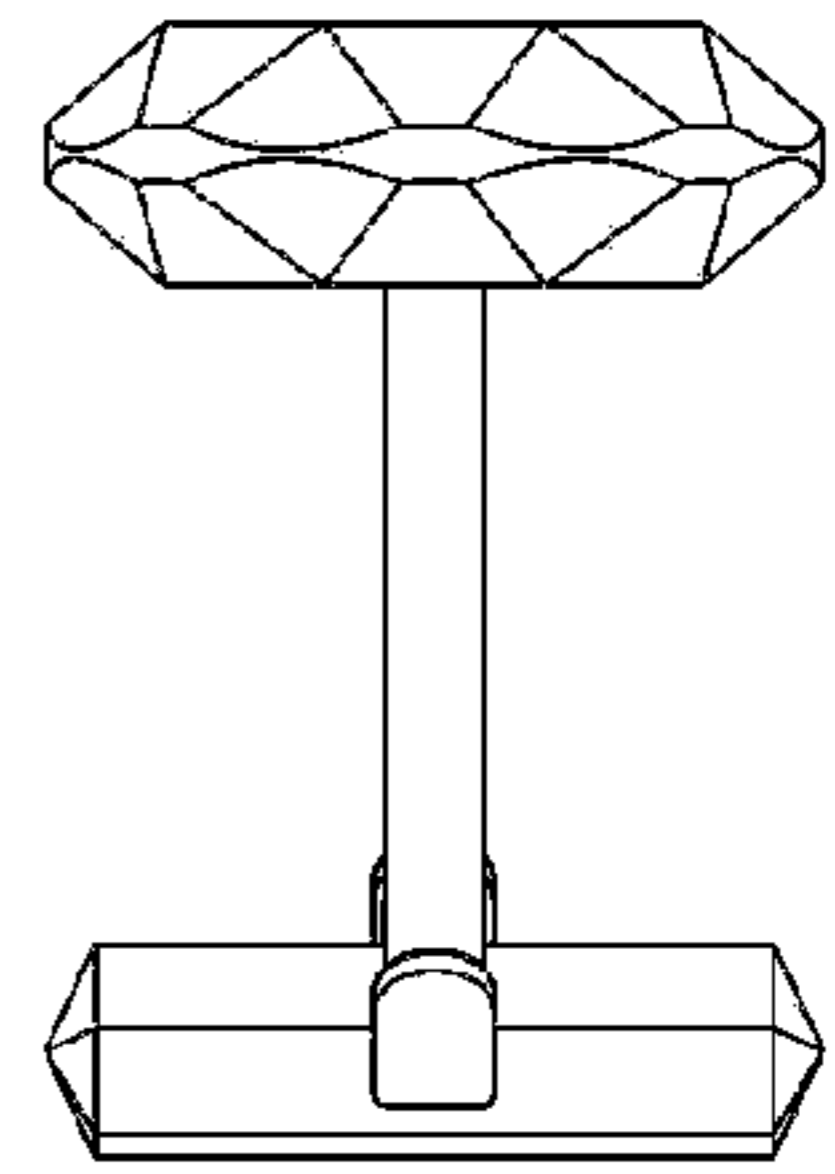


Fig. 1

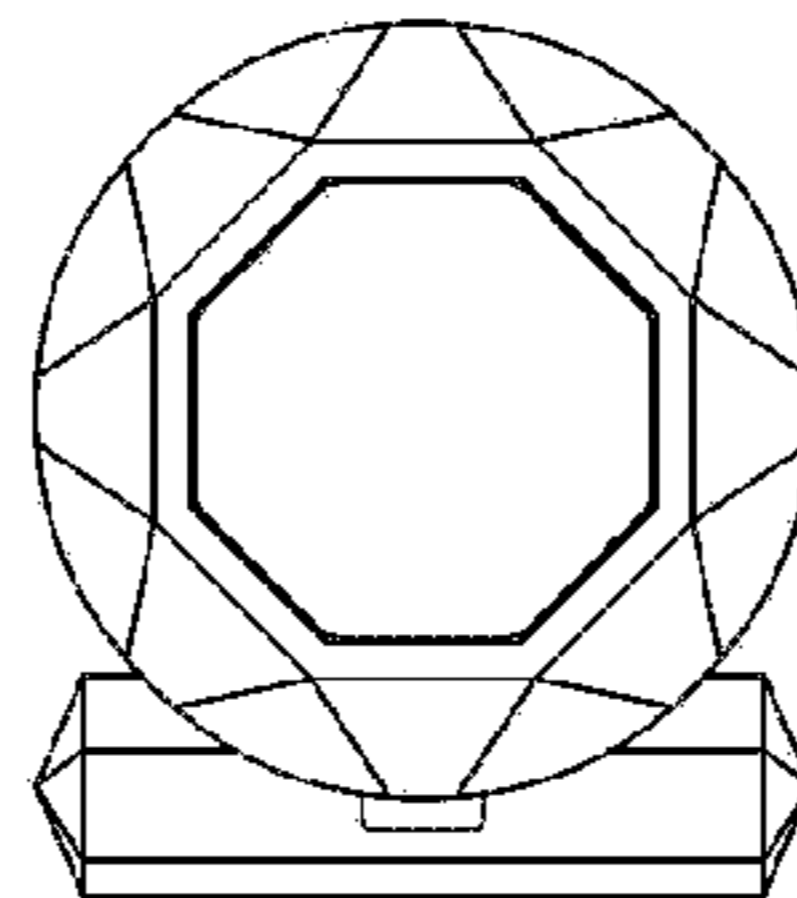


Fig. 2

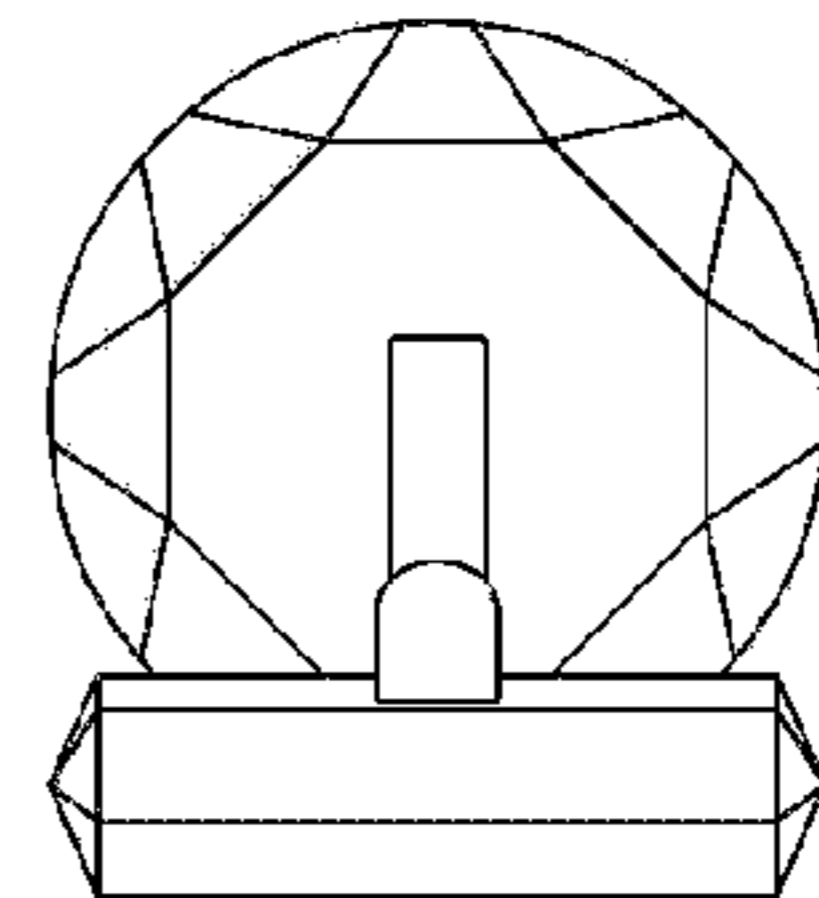


Fig. 3