



US00D617674S

(12) **United States Design Patent**
Nakamura

(10) **Patent No.:** **US D617,674 S**
(45) **Date of Patent:** **** Jun. 15, 2010**

(54) **ORNAMENT**

(76) Inventor: **Michael L. Nakamura**, 5809 E. Hillside Rd., Crystal Lake, IL (US) 60012

(**) Term: **14 Years**

(21) Appl. No.: **29/328,825**

(22) Filed: **Dec. 2, 2008**

Related U.S. Application Data

(63) Continuation-in-part of application No. 11/731,554, filed on Mar. 30, 2007, which is a continuation-in-part of application No. 11/648,162, filed on Dec. 29, 2006.

(51) **LOC (9) Cl.** **11-05**

(52) **U.S. Cl.** **D11/121**

(58) **Field of Classification Search** D11/121, D11/125, 131, 157; D6/300; 40/409, 410; D10/15; 353/15, 74; 348/836; 362/352, 362/123, 237, 561, 565; 369/125; 434/311; 428/7, 11; 273/161; 315/178, 185 R, 29; D21/398

See application file for complete search history.

(56) **References Cited**

U.S. PATENT DOCUMENTS

- 3,168,315 A * 2/1965 Bookman 273/145 C
- 3,440,128 A * 4/1969 Kubilius 428/11
- 3,735,041 A * 5/1973 Fujita 348/836
- 3,798,833 A * 3/1974 Campbell 446/130

- 3,802,104 A * 4/1974 Wiley 40/729
- 4,303,946 A * 12/1981 Berry 348/840
- 4,309,464 A * 1/1982 Rauch 428/11
- 4,996,087 A * 2/1991 Rebstock 428/11
- 5,406,728 A * 4/1995 Willitts, Jr. 40/409
- 5,458,930 A * 10/1995 Brown 428/11
- D370,868 S * 6/1996 Phelps D11/131
- D375,411 S * 11/1996 Hawkins D6/314
- D393,016 S * 3/1998 Young D21/398
- D427,936 S * 7/2000 Reif D11/121
- 6,439,723 B1 * 8/2002 Tano 353/15
- 6,562,423 B2 * 5/2003 Rubin 428/13

* cited by examiner

Primary Examiner—Paula Greene

(74) *Attorney, Agent, or Firm*—Pauley Petersen & Erickson

(57) **CLAIM**

The ornamental design for an ornament, as shown and described.

DESCRIPTION

FIG. 1 is a front perspective view of an ornament showing my new design;

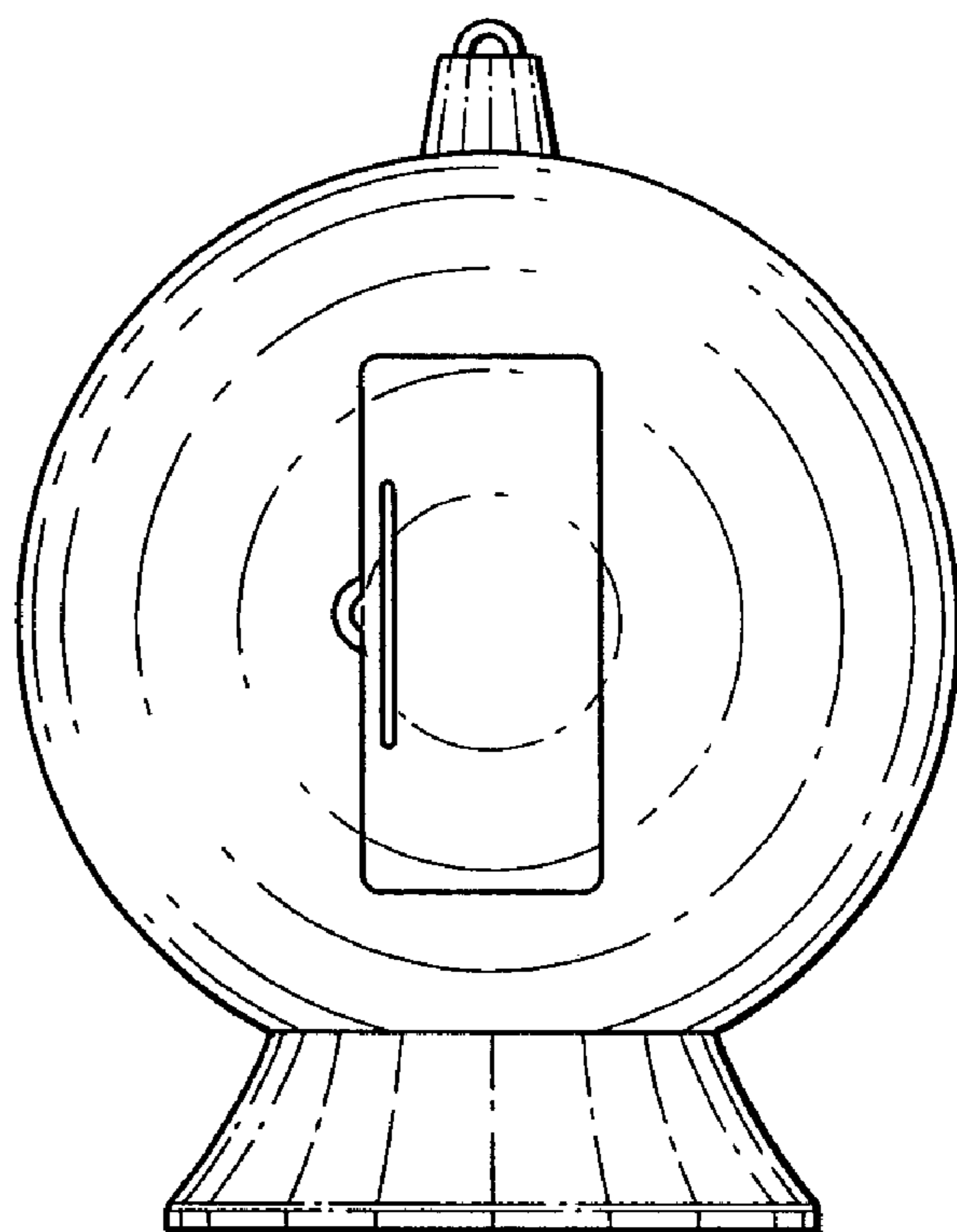
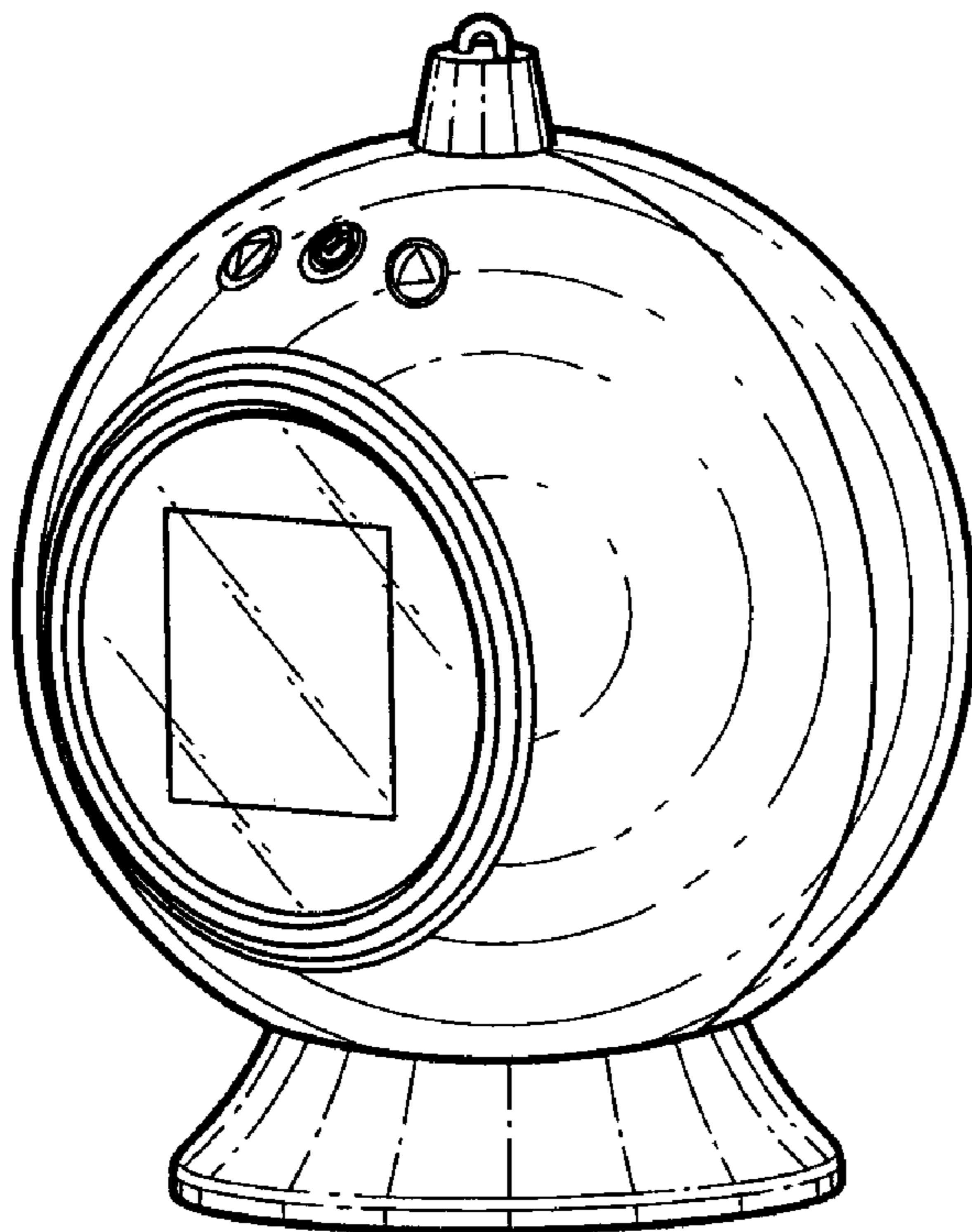
FIG. 2 is a top view of the ornament, as shown in FIG. 1;

FIG. 3 is a front view of the ornament, as shown in FIG. 1;

FIG. 4 is a rear view of the ornament, as shown in FIG. 1; and,

FIG. 5 is a bottom view of the ornament, as shown in FIG. 1, the broken lines form no part of the claimed design.

1 Claim, 1 Drawing Sheet



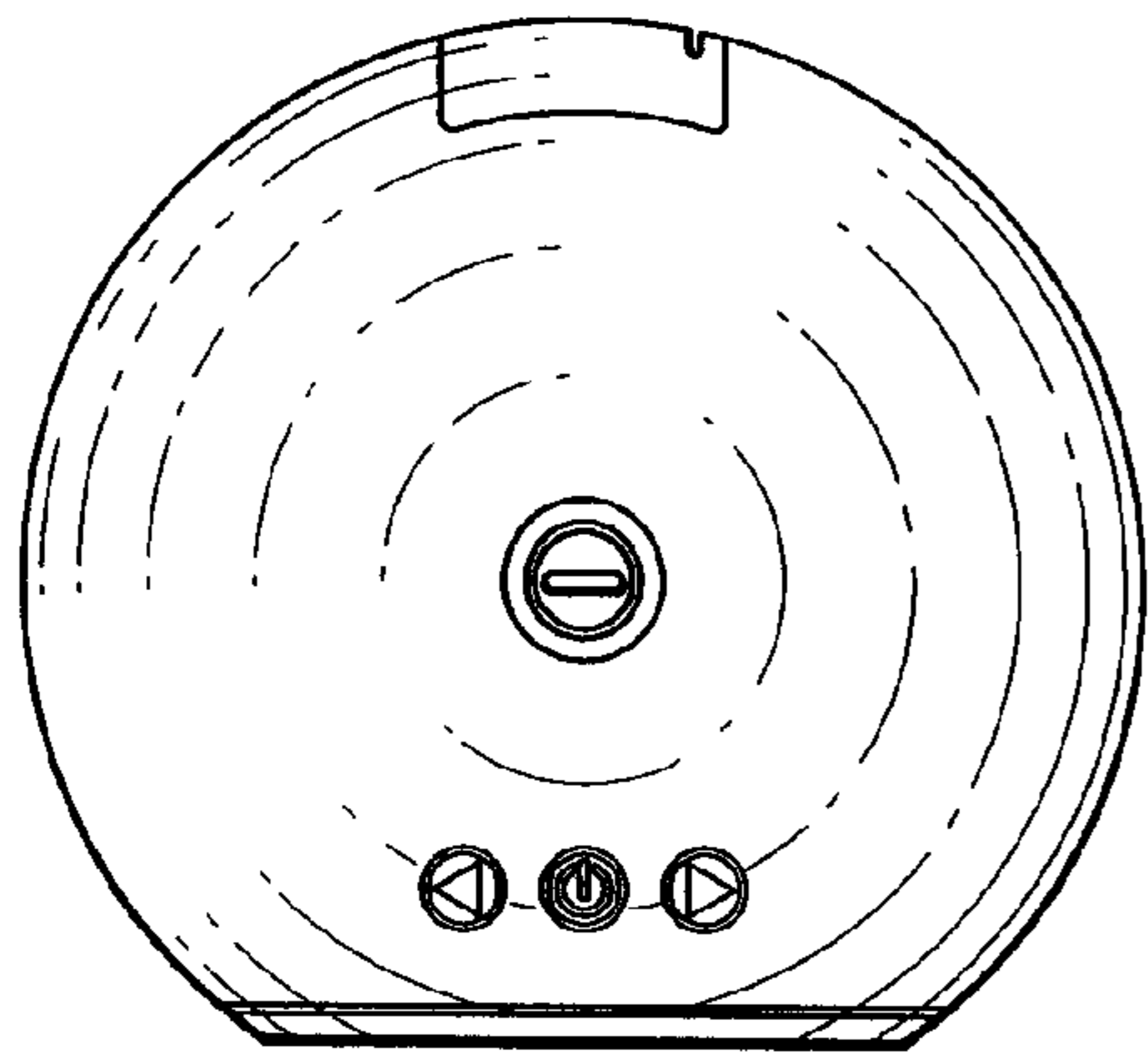


FIG. 2

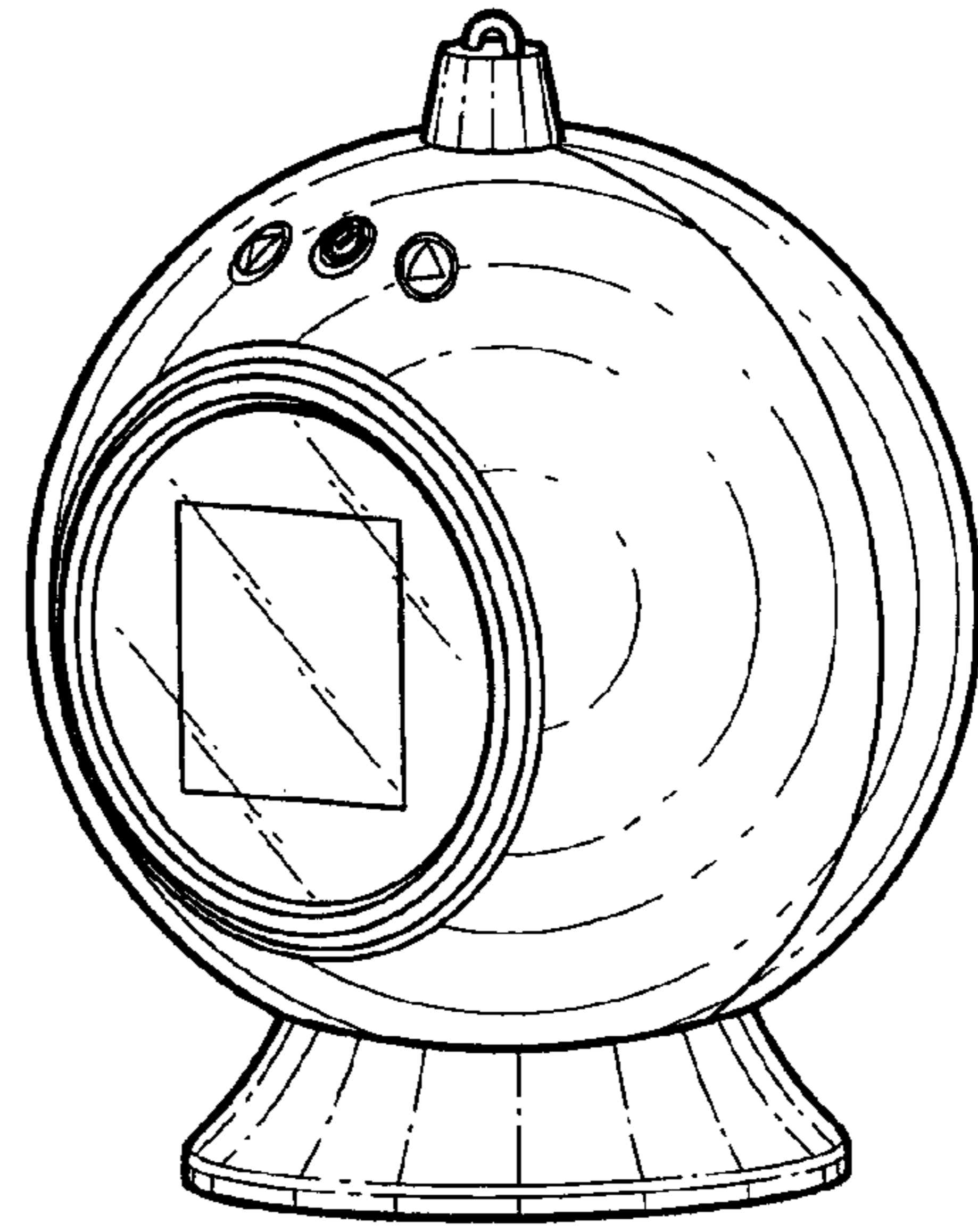


FIG. 1

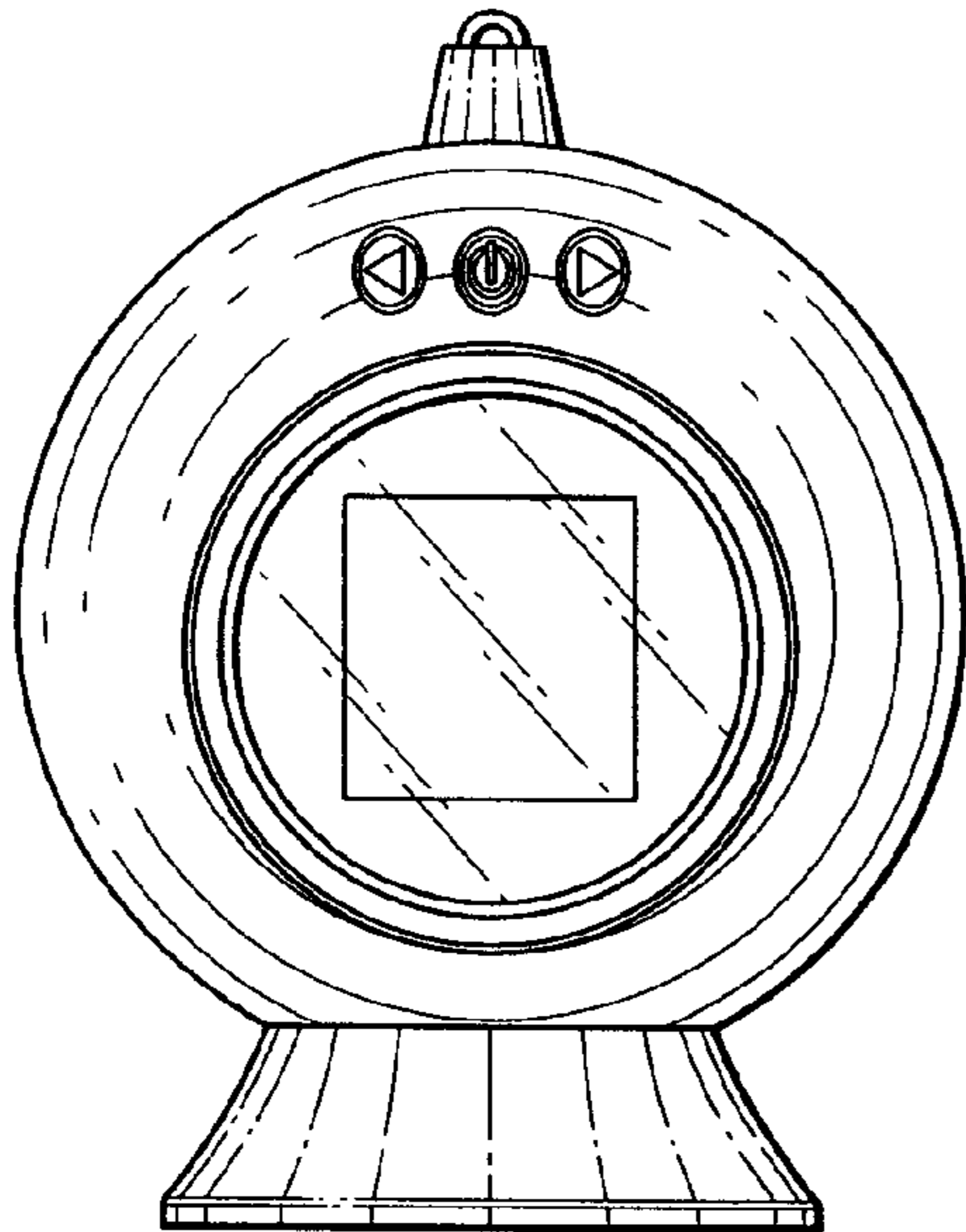


FIG. 3

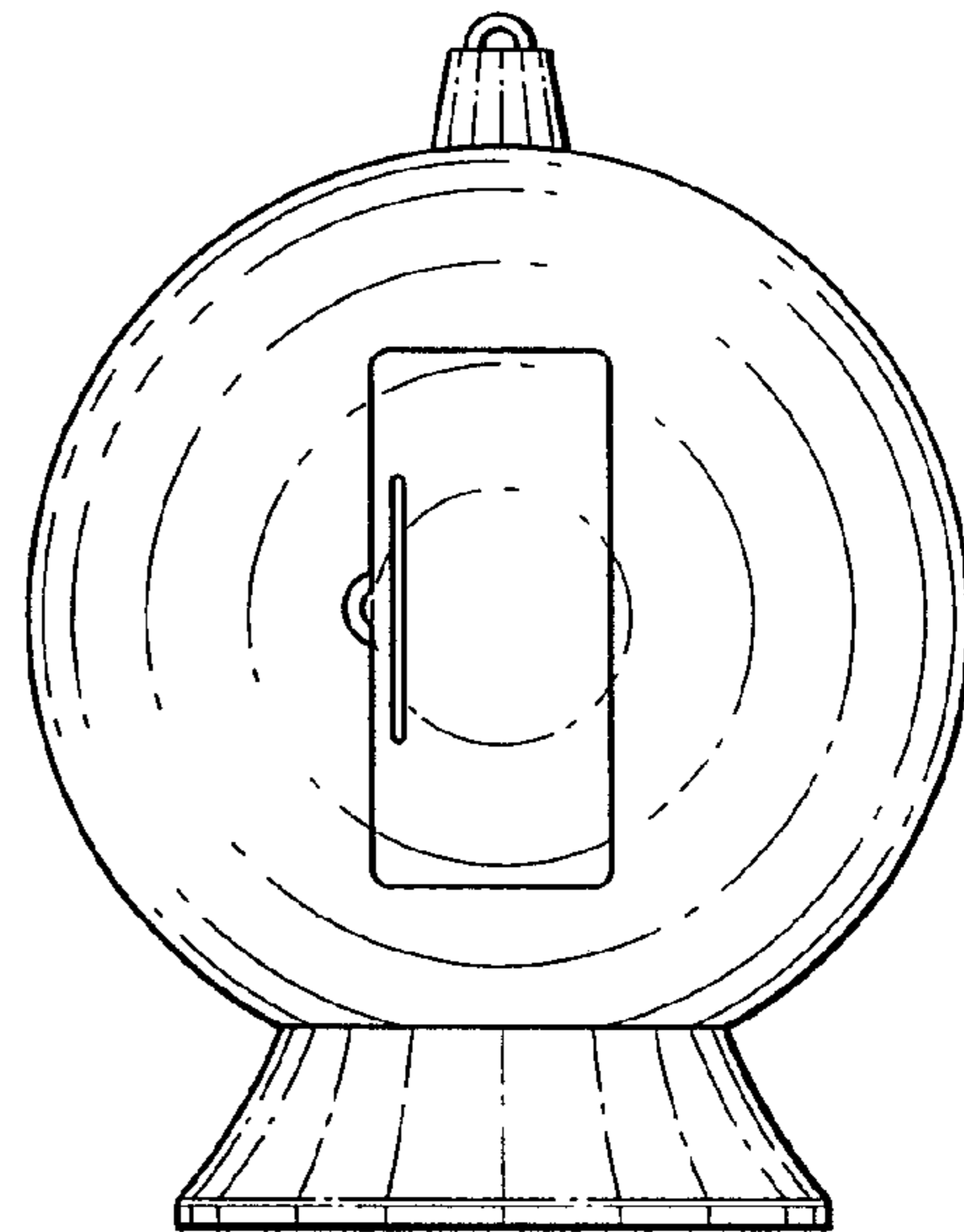


FIG. 4

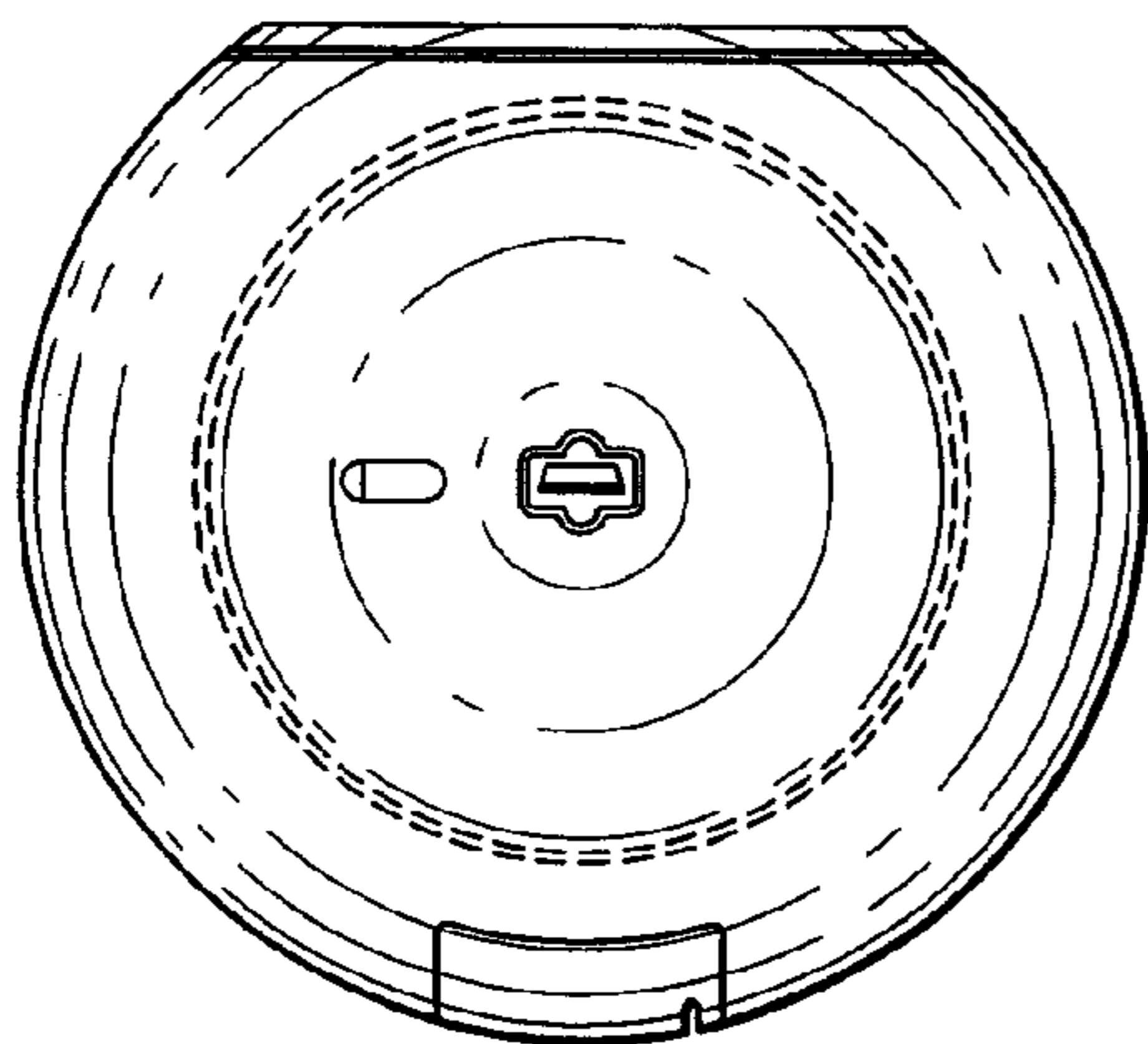


FIG. 5