



US00D617672S

(12) **United States Design Patent**
Sandberg

(10) **Patent No.:** **US D617,672 S**
(45) **Date of Patent:** **** Jun. 15, 2010**

(54) **RING**
(75) Inventor: **Samuel Sandberg**, New York, NY (US)
(73) Assignee: **Firestone, Inc.**, New York, NY (US)
(**) Term: **14 Years**
(21) Appl. No.: **29/342,218**
(22) Filed: **Aug. 20, 2009**

(51) **LOC (9) Cl.** **11-01**
(52) **U.S. Cl.** **D11/39**
(58) **Field of Classification Search** D11/26,
D11/39, 92; 63/15, 15.1, 15.2, 15.3, 15.4,
63/15.45, 15.5, 15.6, 15.65, 15.7, 26-28
See application file for complete search history.

(56) **References Cited**

U.S. PATENT DOCUMENTS

D88,561 S * 12/1932 Levi D11/39
D141,654 S * 6/1945 Ray-Dupuis D11/4
5,419,158 A 5/1995 Sandberg et al.
D373,096 S 8/1996 Bergagnini
D400,464 S * 11/1998 Kothari D11/4
D424,967 S * 5/2000 Perrin et al. D11/28
D443,222 S * 6/2001 Cabarbaye D11/26
D449,556 S * 10/2001 Pasquetti D11/26
D508,866 S 8/2005 Shin

D601,054 S * 9/2009 Sivriere D11/26
OTHER PUBLICATIONS

<http://www.jamesallen.com/VImages/Womens-Wedding-Bands-18k-White-Gold-2.7mm-Curved-Wedding-Ring-small03679,100,100.jpg>. Accessed Apr. 21, 2010.*
<http://www.sherryjewellery.co.uk/BespokeJewellery/image/WRP%20R35%20Tailored%20200x150.jpg>. Accessed Apr. 21, 2010.*
<http://cdn2.overstock.com/images/products/P11913575.jpg>. Accessed Apr. 21, 2010.*
* cited by examiner

Primary Examiner—Cathron C Brooks
Assistant Examiner—Melanie Levy
(74) *Attorney, Agent, or Firm*—Gottlieb, Rackman & Reisman, P.C.

(57) **CLAIM**

The ornamental design for a ring, as shown and described.

DESCRIPTION

FIG. 1 is a front elevational view showing my new design;
FIG. 2 is a top plan view thereof;
FIG. 3 is a right side elevational view thereof;
FIG. 4 is a left side elevational view thereof;
FIG. 5 is a rear elevational view thereof; and,
FIG. 6 is a bottom plan view thereof.

1 Claim, 2 Drawing Sheets

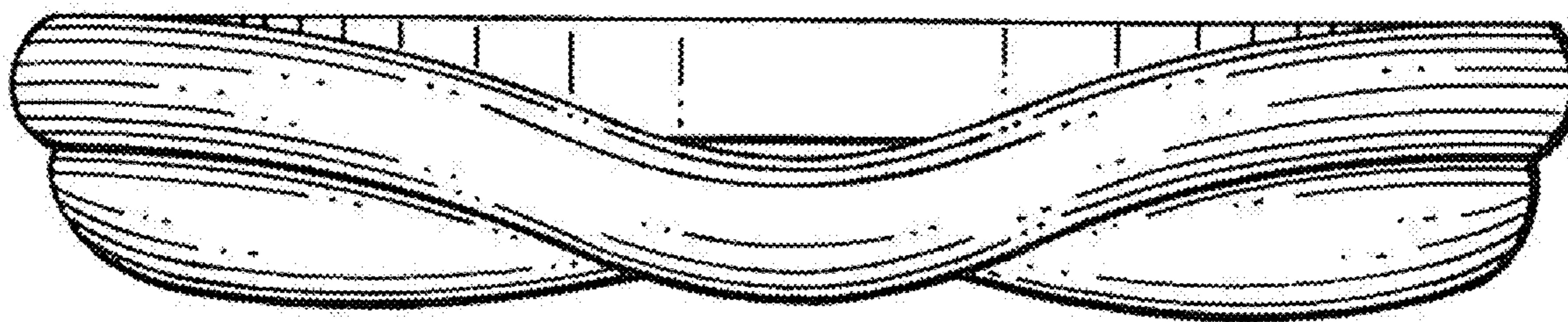


FIG. 1

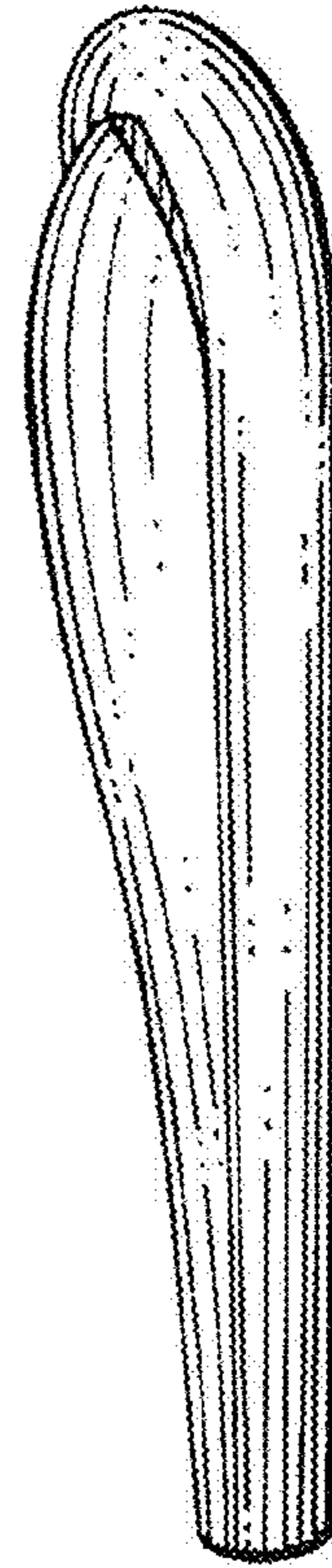
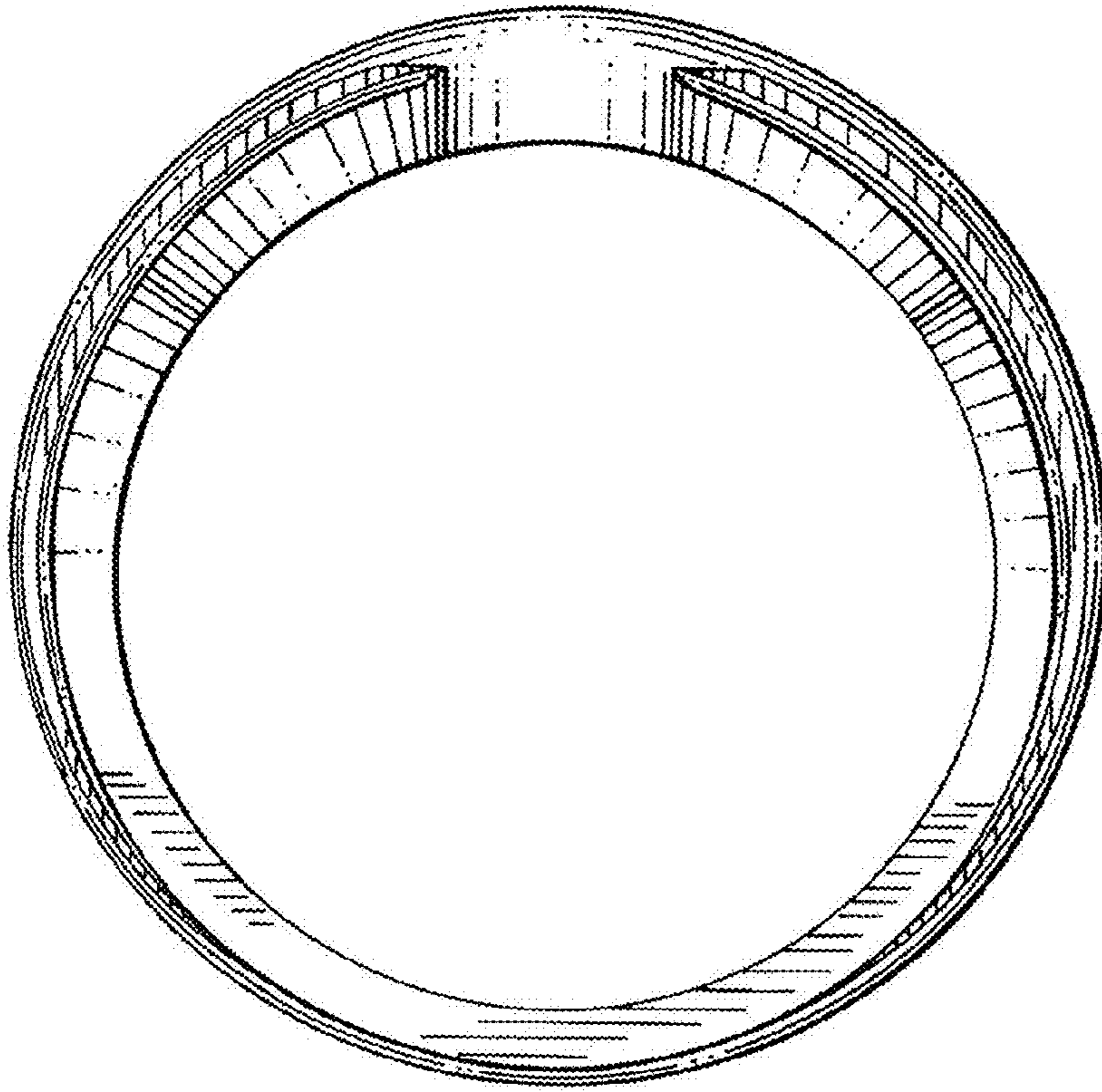


FIG. 3

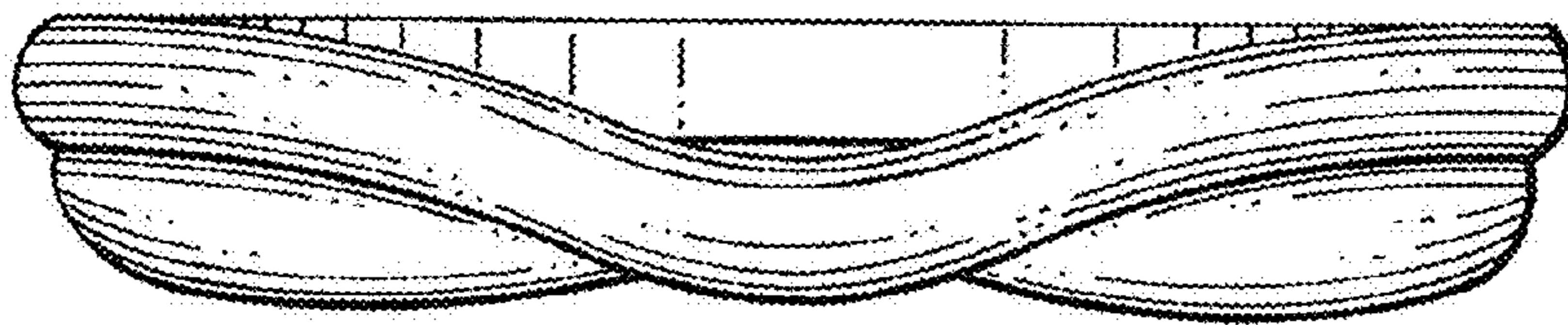


FIG. 2

FIG. 4

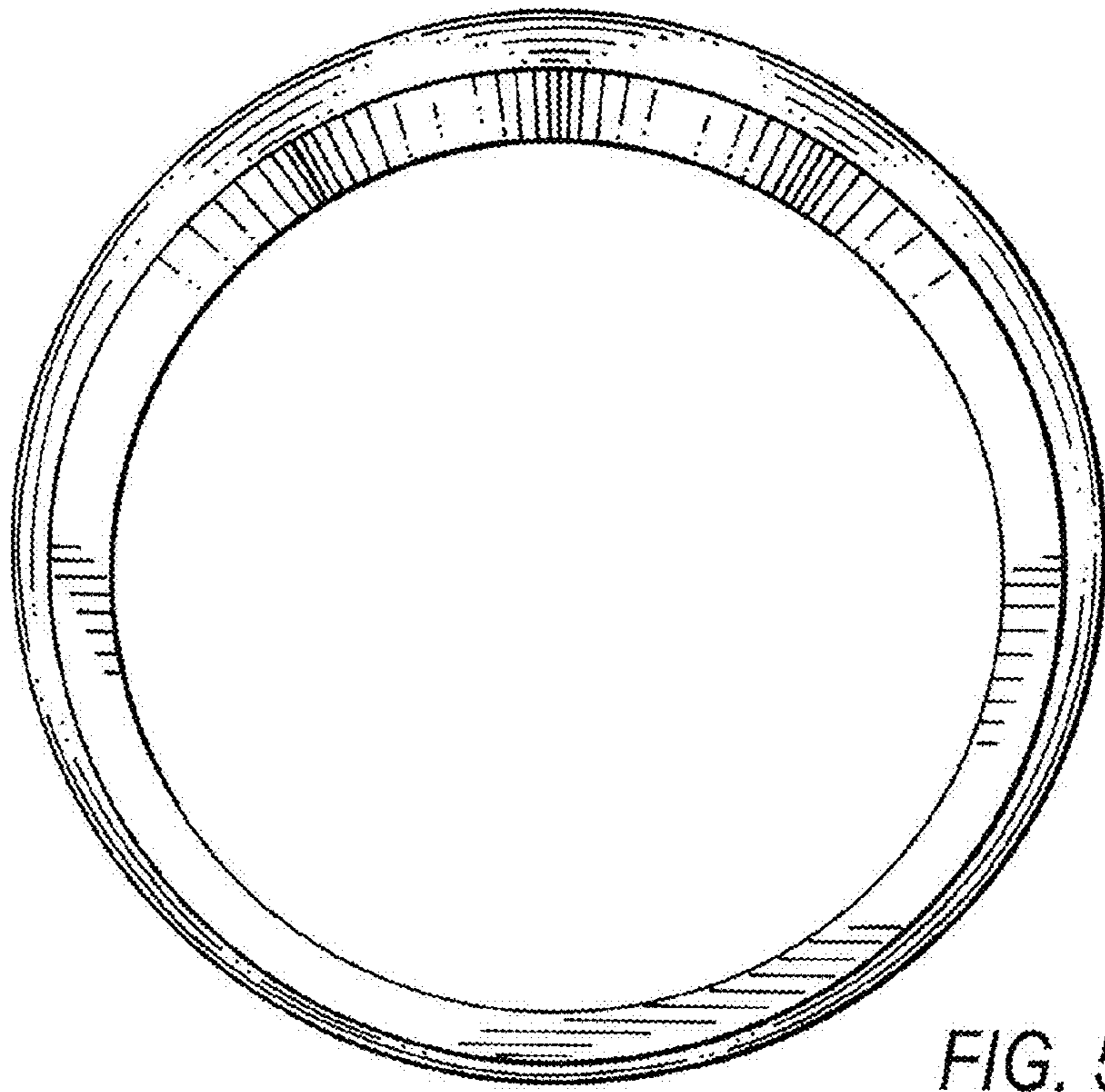
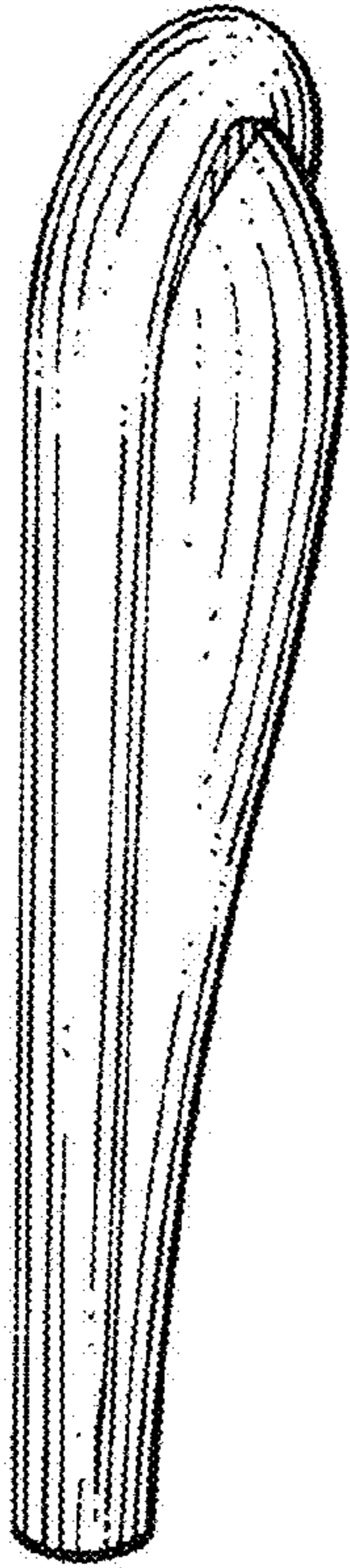


FIG. 5

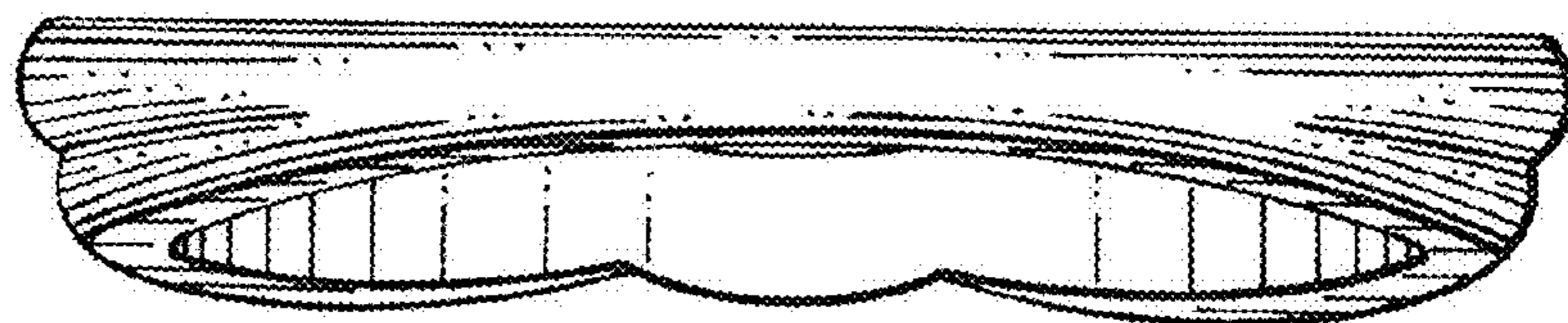


FIG. 6