



US00D617671S

(12) **United States Design Patent**
Hardy

(10) **Patent No.:** **US D617,671 S**
(45) **Date of Patent:** **** Jun. 15, 2010**

(54) **BRACELET**

(75) Inventor: **Pierre Hardy**, Paris (FR)

(73) Assignee: **Hermes Sellier (Societe par Actions Simpliffee)**, Paris (FR)

(**) Term: **14 Years**

(21) Appl. No.: **29/343,326**

(22) Filed: **Sep. 10, 2009**

(30) **Foreign Application Priority Data**

Mar. 11, 2009 (WO) DM/071 463

(51) **LOC (9) Cl.** **11-01**

(52) **U.S. Cl.** **D11/3**

(58) **Field of Classification Search** D11/1-25;
59/78, 80-83; 63/3, 3.1, 3.2, 4, 5.1, 5.2
See application file for complete search history.

(56) **References Cited**

U.S. PATENT DOCUMENTS

401,746 A * 4/1889 Johnstone 63/1.12
D46,644 S * 11/1914 Shepard D11/3
D529,835 S * 10/2006 Becker D11/4
D573,504 S * 7/2008 Lecut D11/4

OTHER PUBLICATIONS

http://blogs1.marthastewart.com/photos/uncategorized/2007/12/18/p1010780_2.jpg. Accessed Jan. 28, 2010.*

* cited by examiner

Primary Examiner—Cathron C Brooks
Assistant Examiner—Melanie Levy

(74) *Attorney, Agent, or Firm*—Foley & Lardner LLP

(57) **CLAIM**

I claim the ornamental design for a bracelet, as shown and described.

DESCRIPTION

FIG. 1 is a front view of a bracelet according to my new design;

FIG. 2 is a rear side view of the bracelet shown in FIG. 1;

FIG. 3 is a left side view of the bracelet shown in FIG. 1;

FIG. 4 is a right side view of the bracelet shown in FIG. 1;

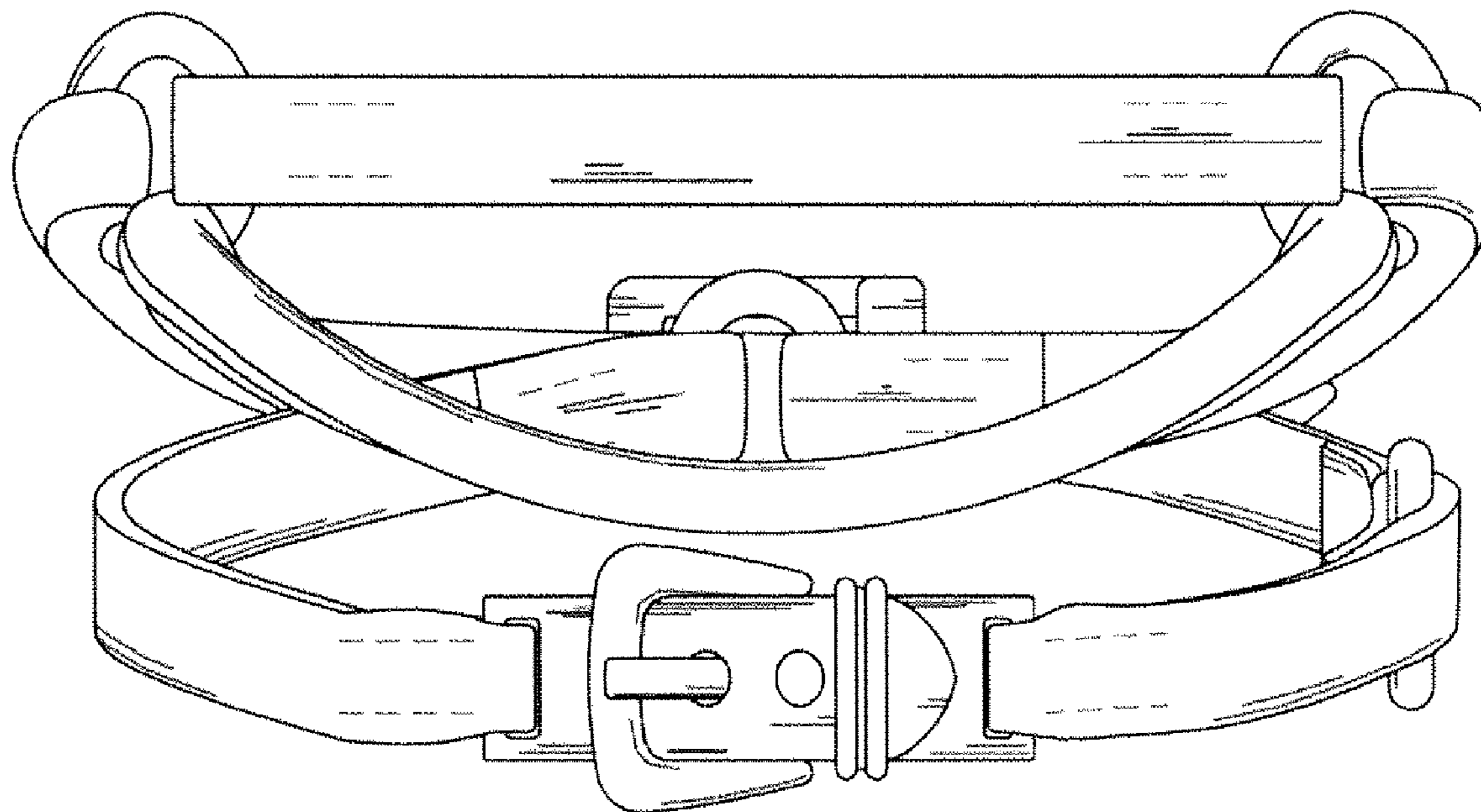
FIG. 5 is a top side view of the bracelet shown in FIG. 1;

FIG. 6 is a bottom side view of the bracelet shown in FIG. 1; and,

FIG. 7 is a top front perspective view of the bracelet shown in FIG. 1.

The ornamental design which is claimed is shown in solid lines in the drawings. The broken lines in the drawings are for illustrative purposes only and form no part of the claimed design.

1 Claim, 5 Drawing Sheets



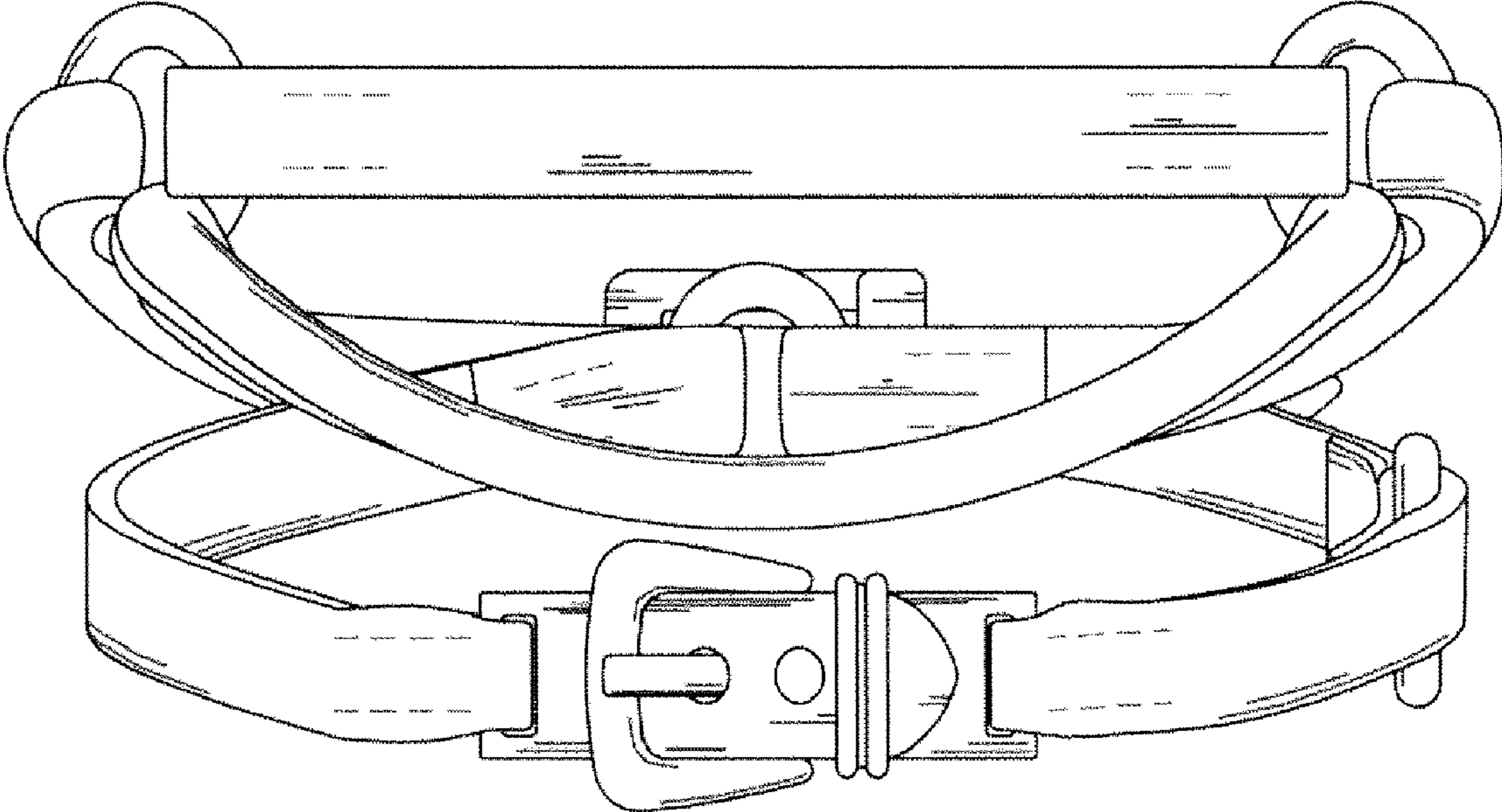


FIG.1

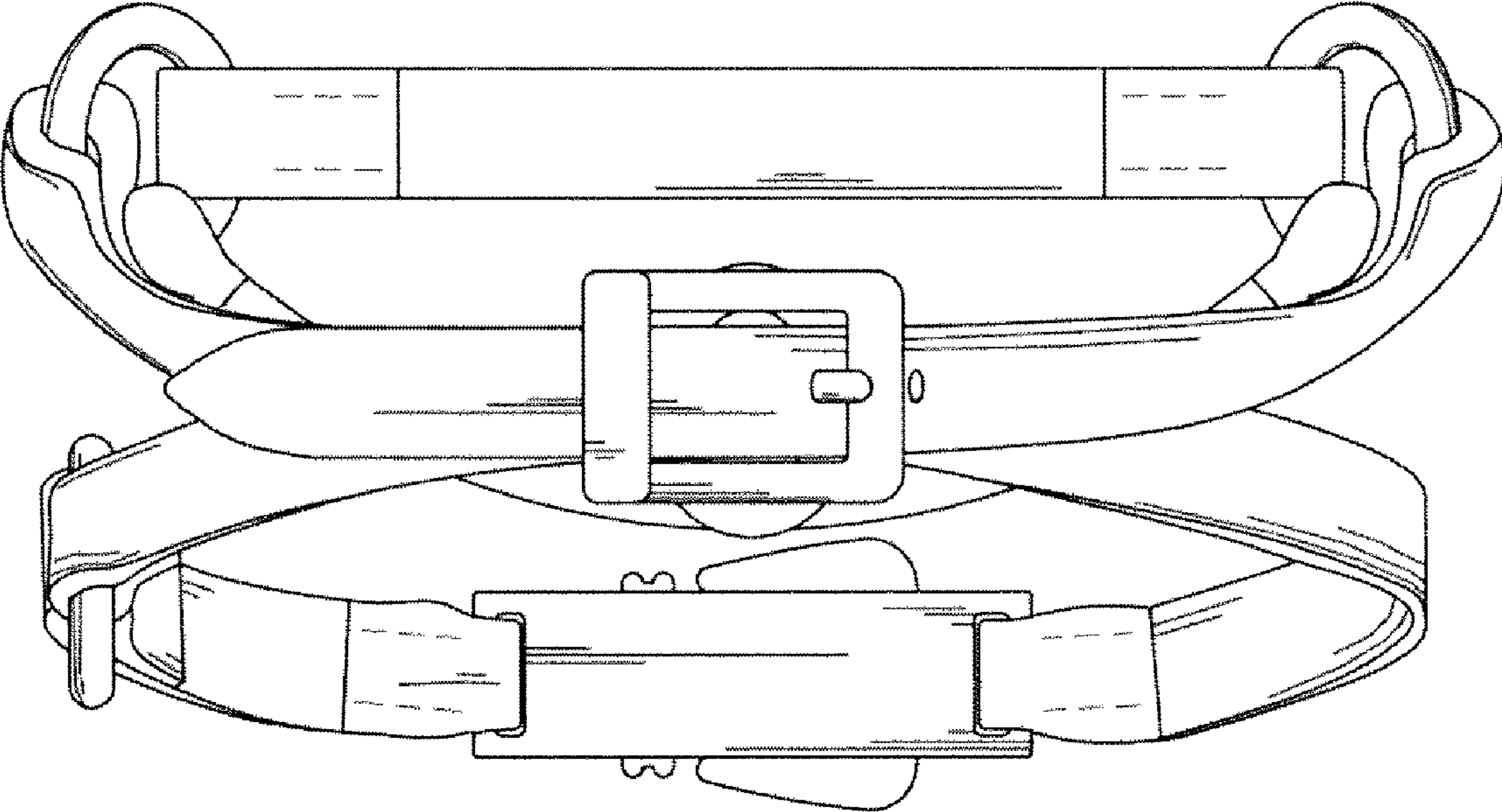


FIG.2

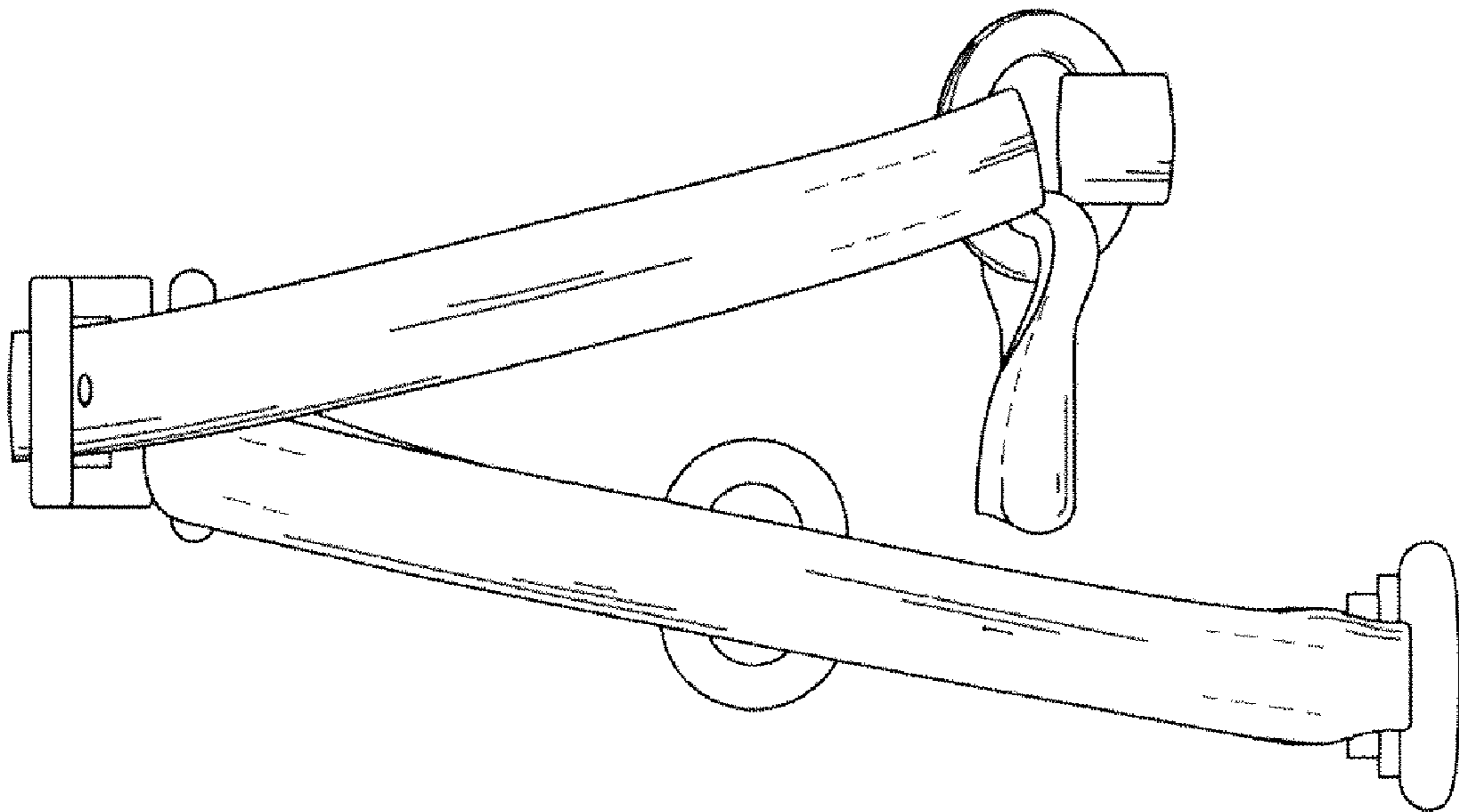


FIG.3

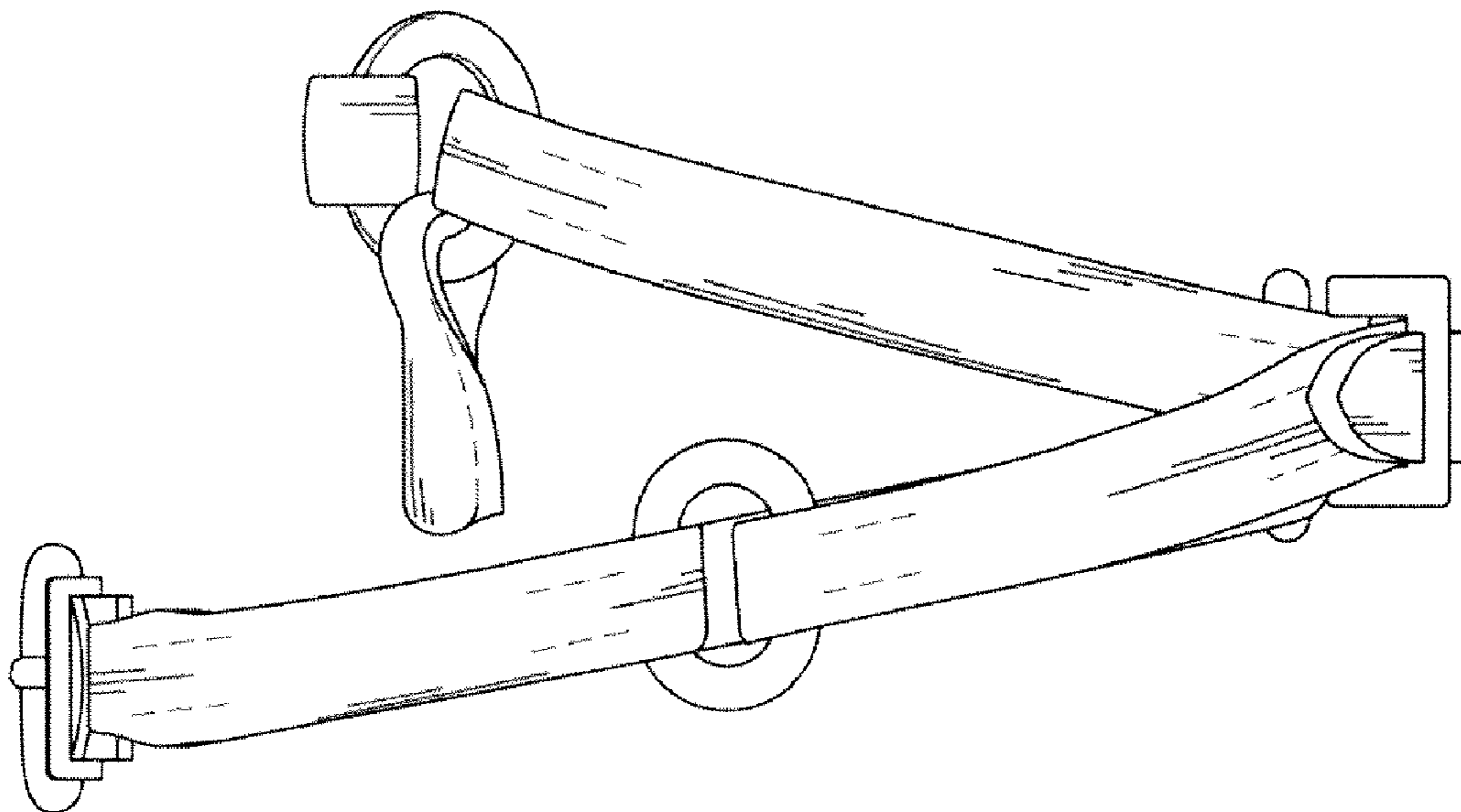


FIG.4

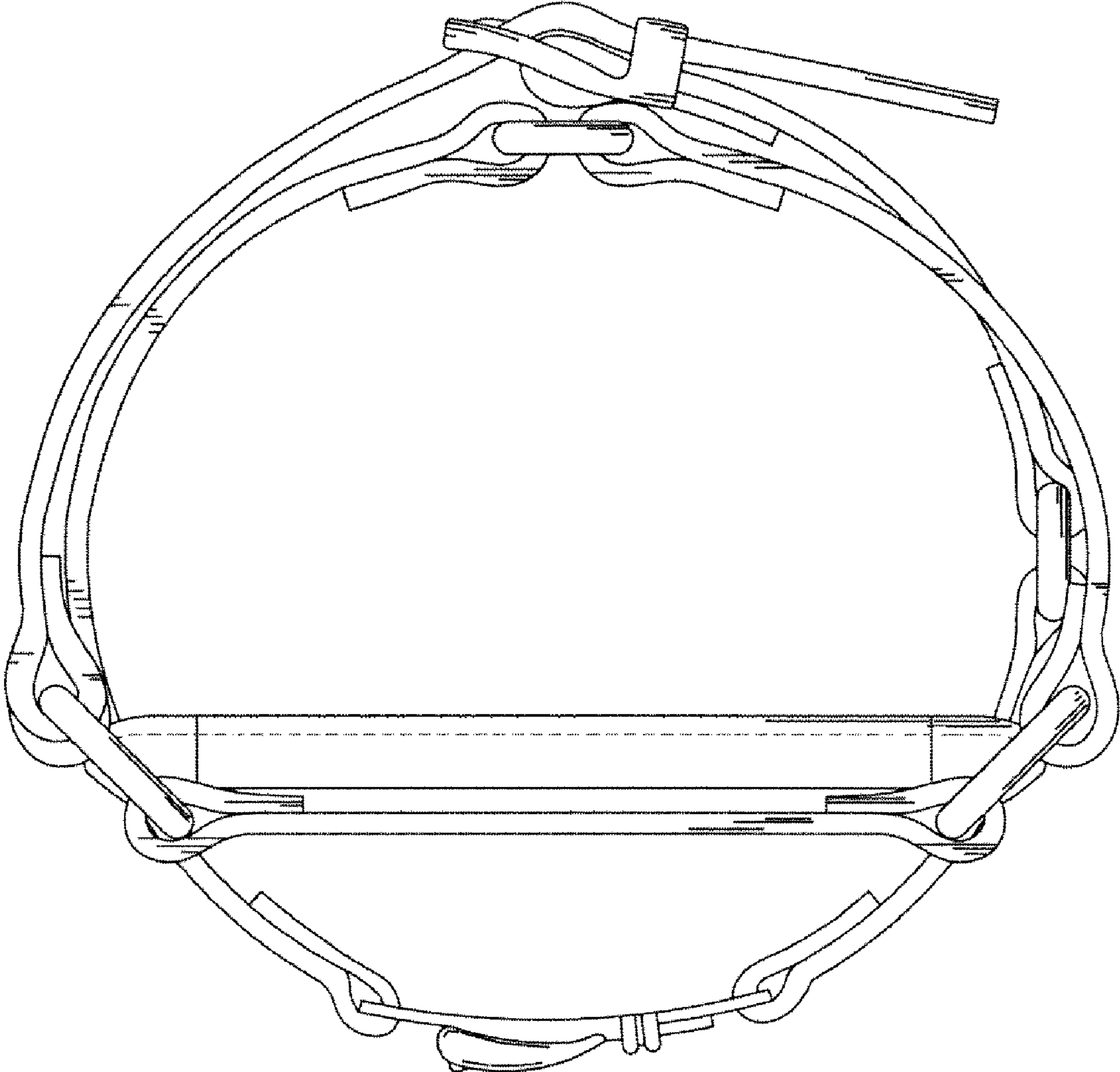


FIG.5

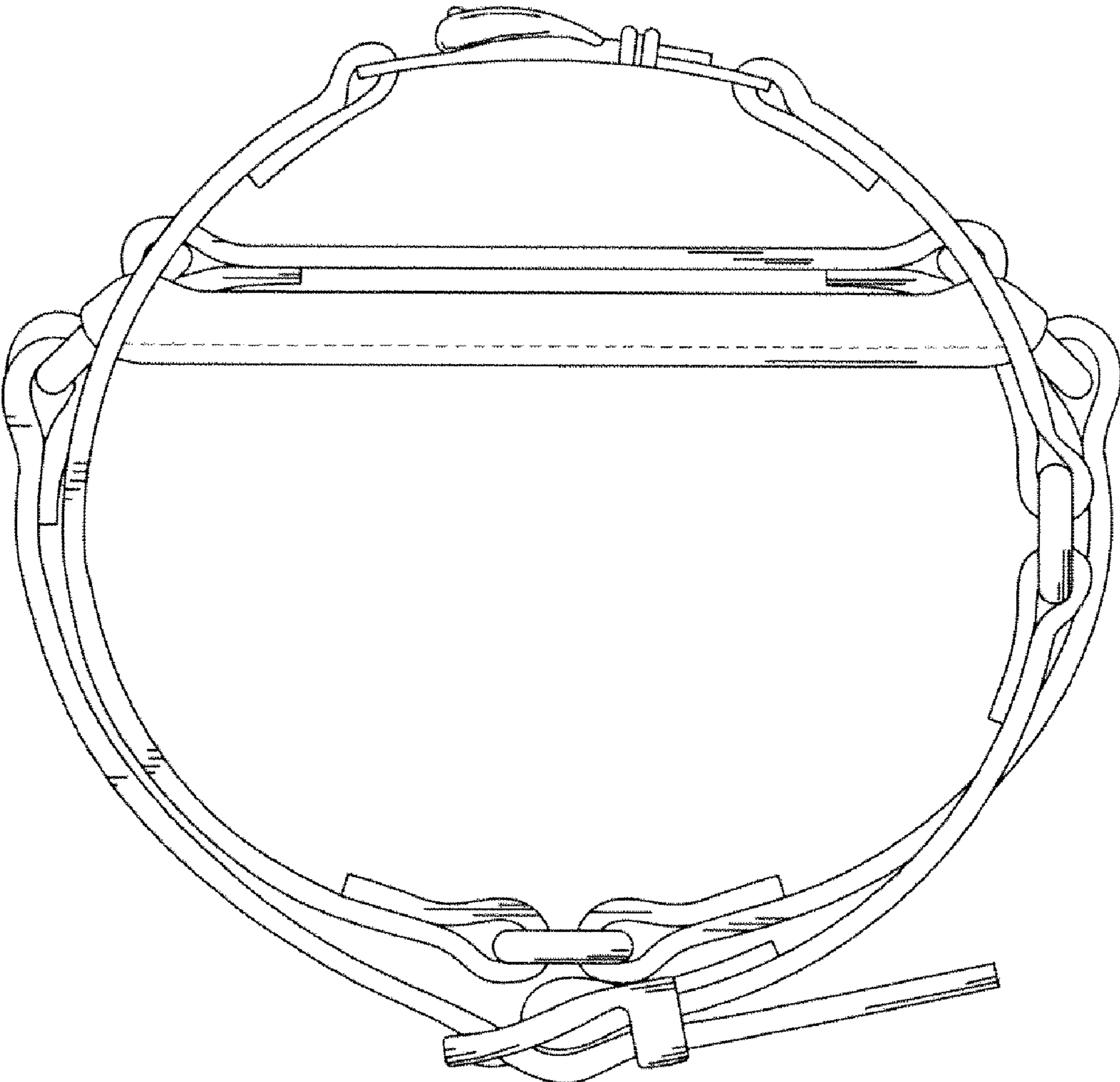


FIG.6

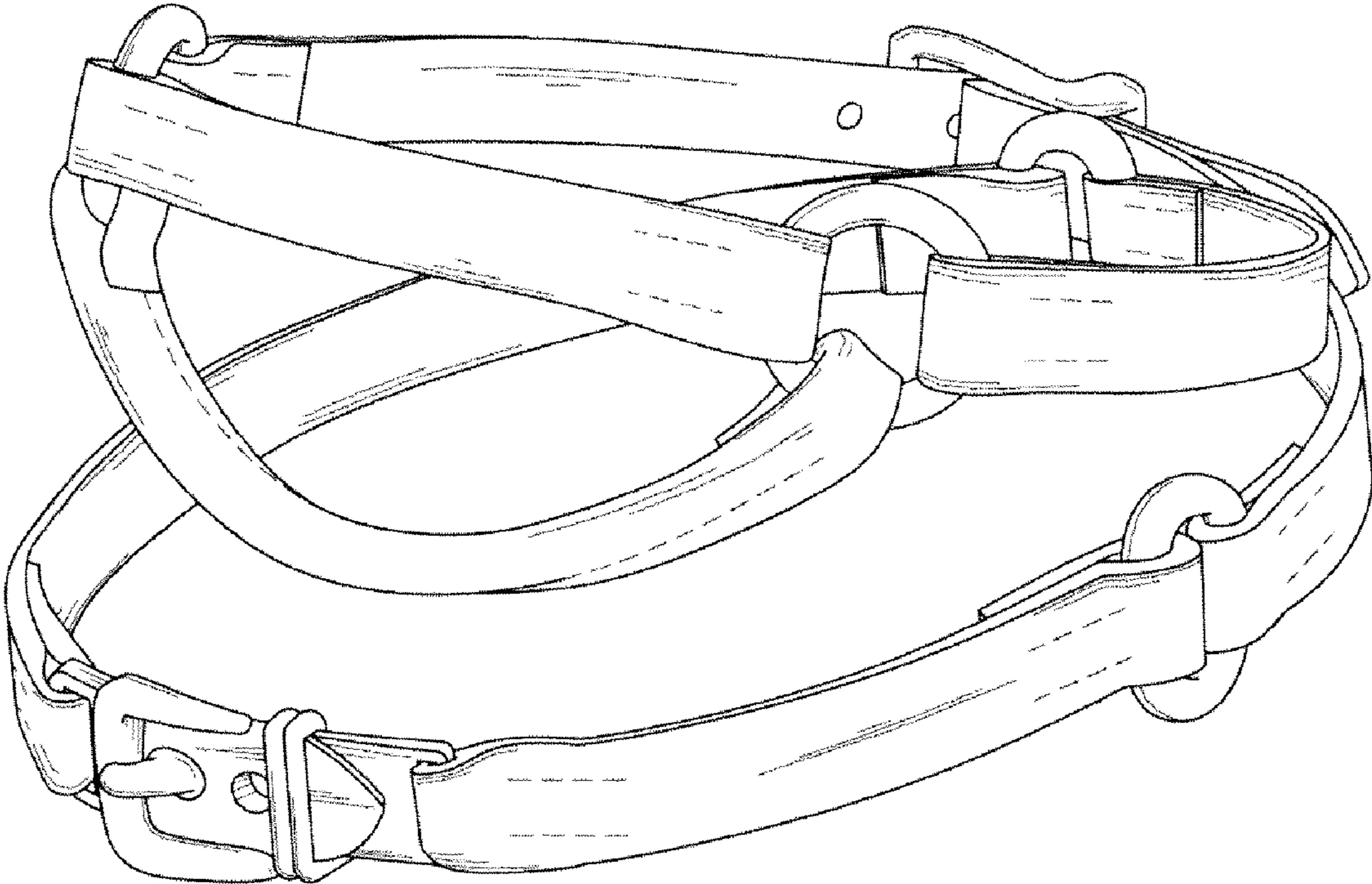


FIG. 7