



US00D617668S

(12) **United States Design Patent**
Lódi

(10) **Patent No.:** **US D617,668 S**
(45) **Date of Patent:** **** Jun. 15, 2010**

(54) **ANTI-THEFT DEVICE**

(75) Inventor: **Tamás Lódi**, Tiszaszolos (HU)

(73) Assignee: **Exaqtworld**, Nogent sur Marne (FR)

(**) Term: **14 Years**

(21) Appl. No.: **29/350,419**

(22) Filed: **Nov. 17, 2009**

(30) **Foreign Application Priority Data**

May 17, 2009 (EM) 001515933-0003

(51) **LOC (9) Cl.** **10-05**

(52) **U.S. Cl.** **D10/106**

(58) **Field of Classification Search** D10/104,
D10/106; D14/251, 203.6, 480.1; 70/57,
70/57.1, 58, 59; D8/356, 354

See application file for complete search history.

(56) **References Cited**

U.S. PATENT DOCUMENTS

4,590,461	A *	5/1986	Cooper	340/572.9
4,944,075	A *	7/1990	Hogan	24/704.1
5,031,287	A *	7/1991	Charlot et al.	24/704.1
5,054,172	A *	10/1991	Hogan et al.	24/704.1
5,095,596	A *	3/1992	Dahood	24/704.1
5,208,580	A *	5/1993	Crossfield	340/571
D344,033	S *	2/1994	Davidge	D10/106
D353,343	S *	12/1994	Eberhardt	D10/104
D354,924	S *	1/1995	Garner et al.	D10/104
RE35,361	E *	10/1996	Hogan et al.	24/704.1

D378,578	S *	3/1997	Eberhardt	D10/104
D410,400	S *	6/1999	Skjellerup	D10/106
D455,363	S *	4/2002	Fuss	D10/106
6,722,166	B2 *	4/2004	Skjellerup	70/57.1
D494,488	S *	8/2004	Sayegh	D10/104
6,888,241	B1 *	5/2005	Korn et al.	257/728
D536,273	S *	2/2007	Gebelein et al.	D10/104
7,183,917	B2 *	2/2007	Piccoli et al.	340/572.1
D603,739	S *	11/2009	Skjellerup	D10/104
2004/0233042	A1 *	11/2004	Piccoli et al.	340/10.1
2006/0017574	A1 *	1/2006	Skjellerup	340/572.9
2006/0214791	A1 *	9/2006	Tethrake et al.	340/572.1
2008/0072405	A1 *	3/2008	Horimatsu	24/704.1

* cited by examiner

Primary Examiner—Caron Veynar

Assistant Examiner—George D Kirschbaum

(74) *Attorney, Agent, or Firm*—WRB-IP LLP

(57) **CLAIM**

The ornamental design for an anti-theft device, as shown and described.

DESCRIPTION

FIG. 1 is a perspective top view of an anti-theft device according to an embodiment of the present invention;

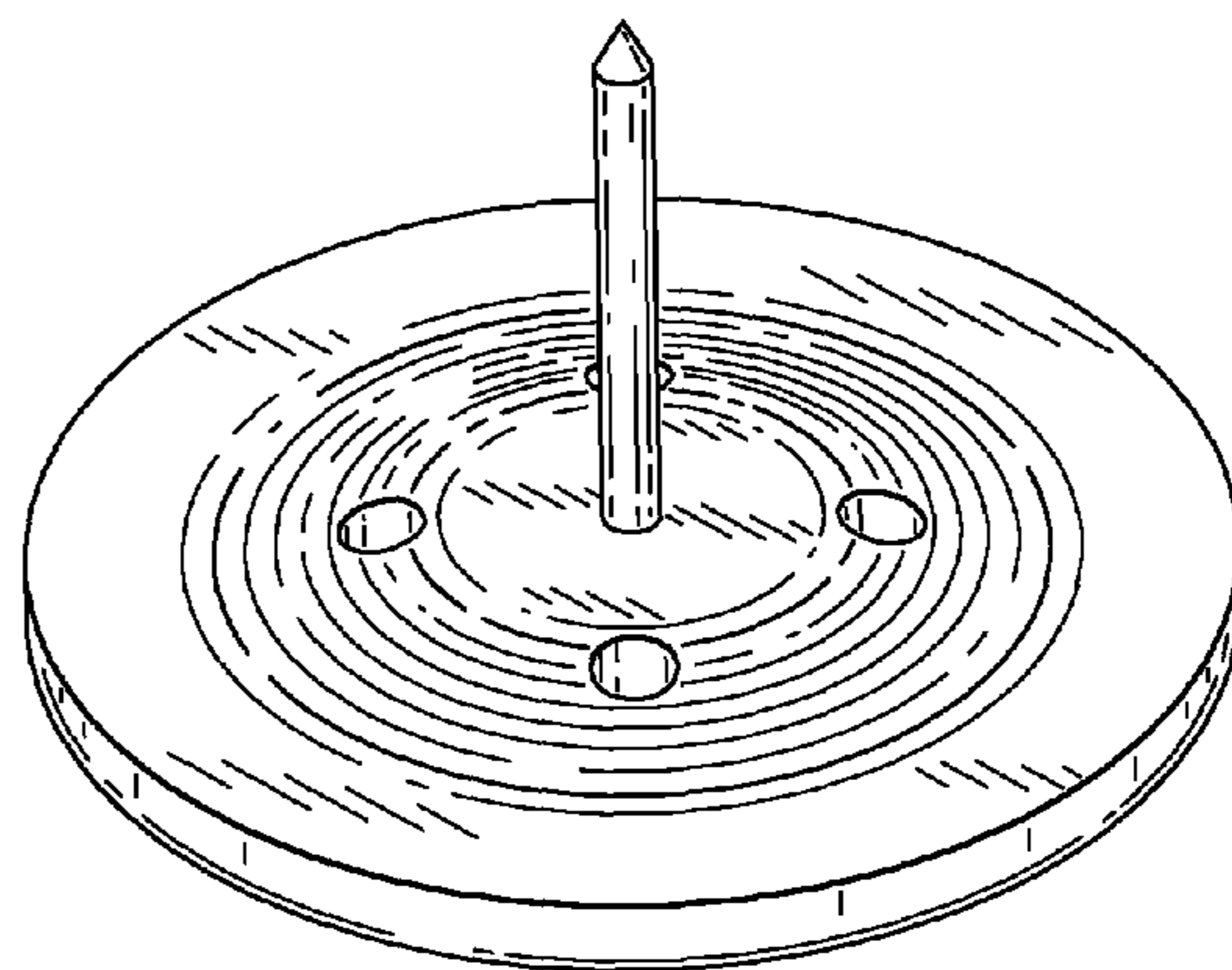
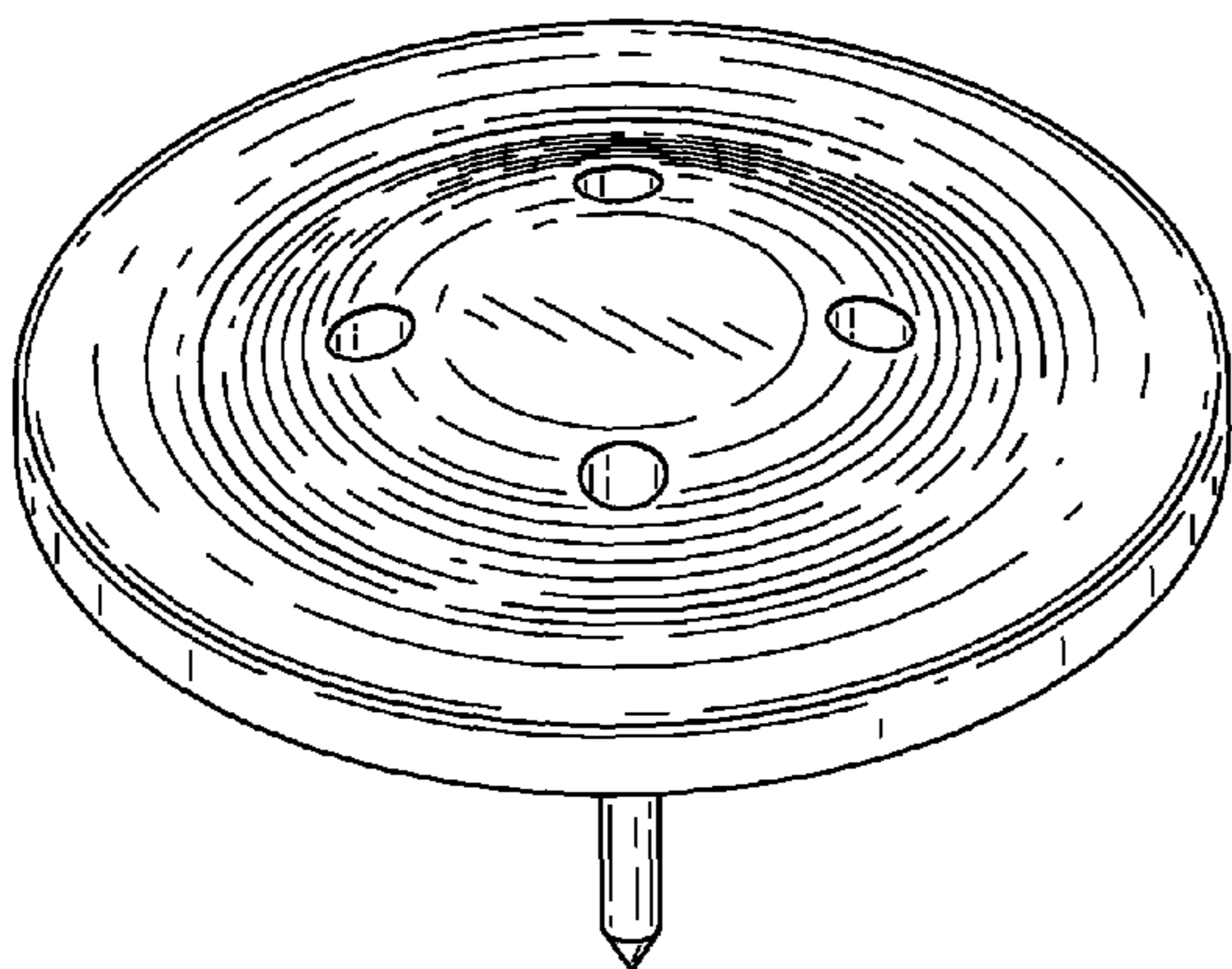
FIG. 2 is a perspective bottom view of the anti-theft device of FIG. 1;

FIG. 3 is a top view of the anti-theft device of FIG. 1;

FIG. 4 is a bottom view of the anti-theft device of FIG. 1; and,

FIG. 5 is a side view of the anti-theft device of FIG. 1.

1 Claim, 3 Drawing Sheets



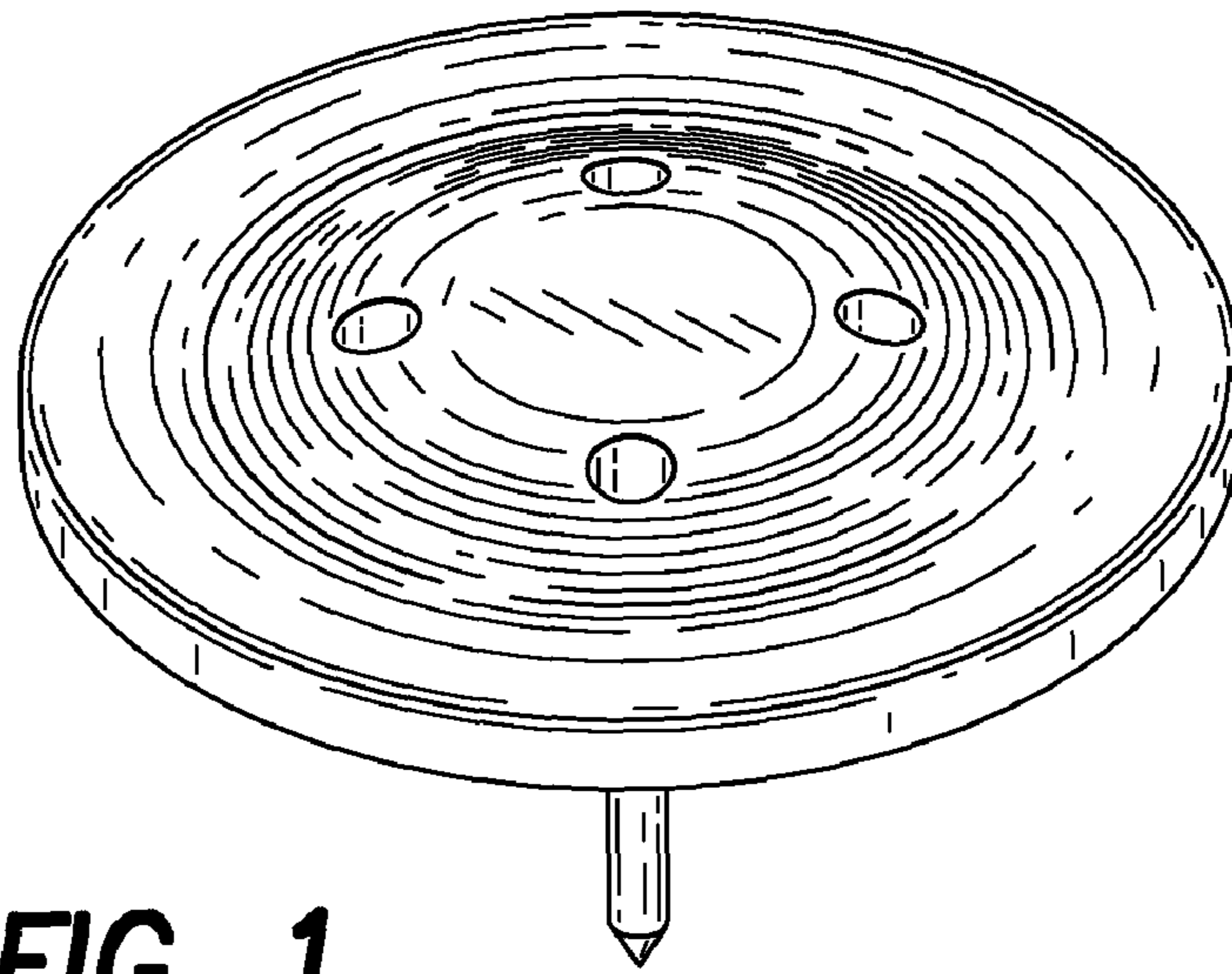


FIG. 1

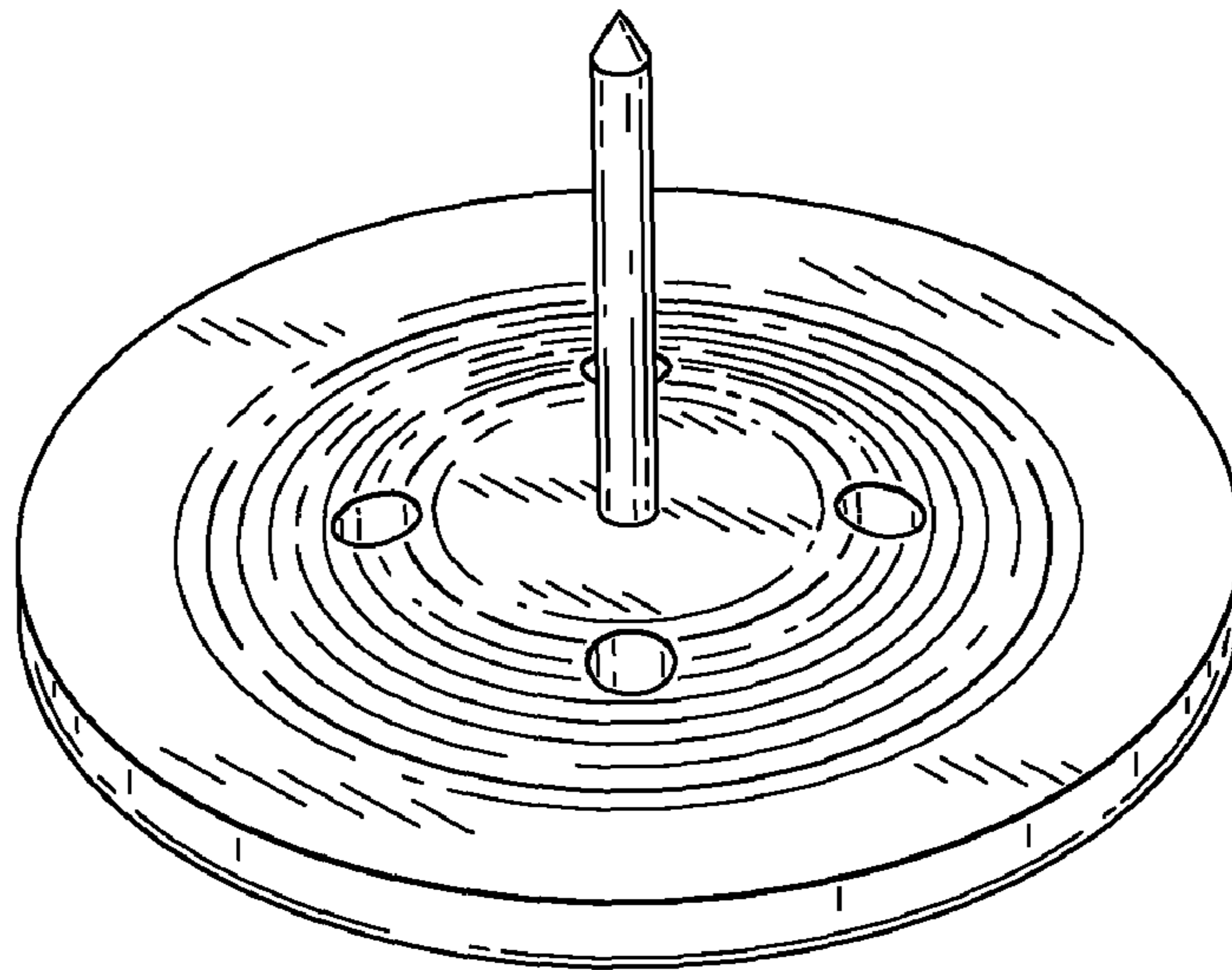


FIG. 2

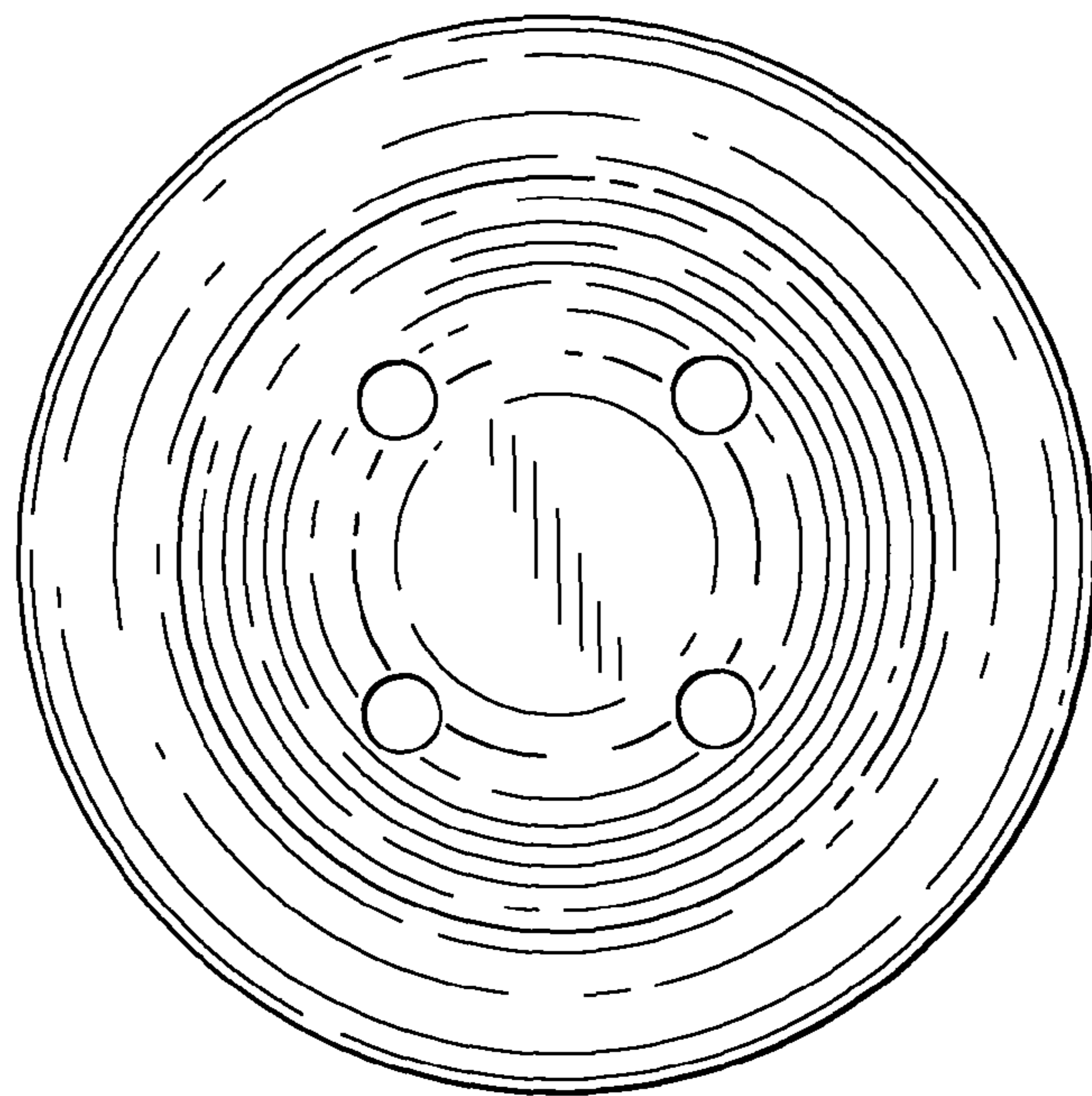


FIG. 3

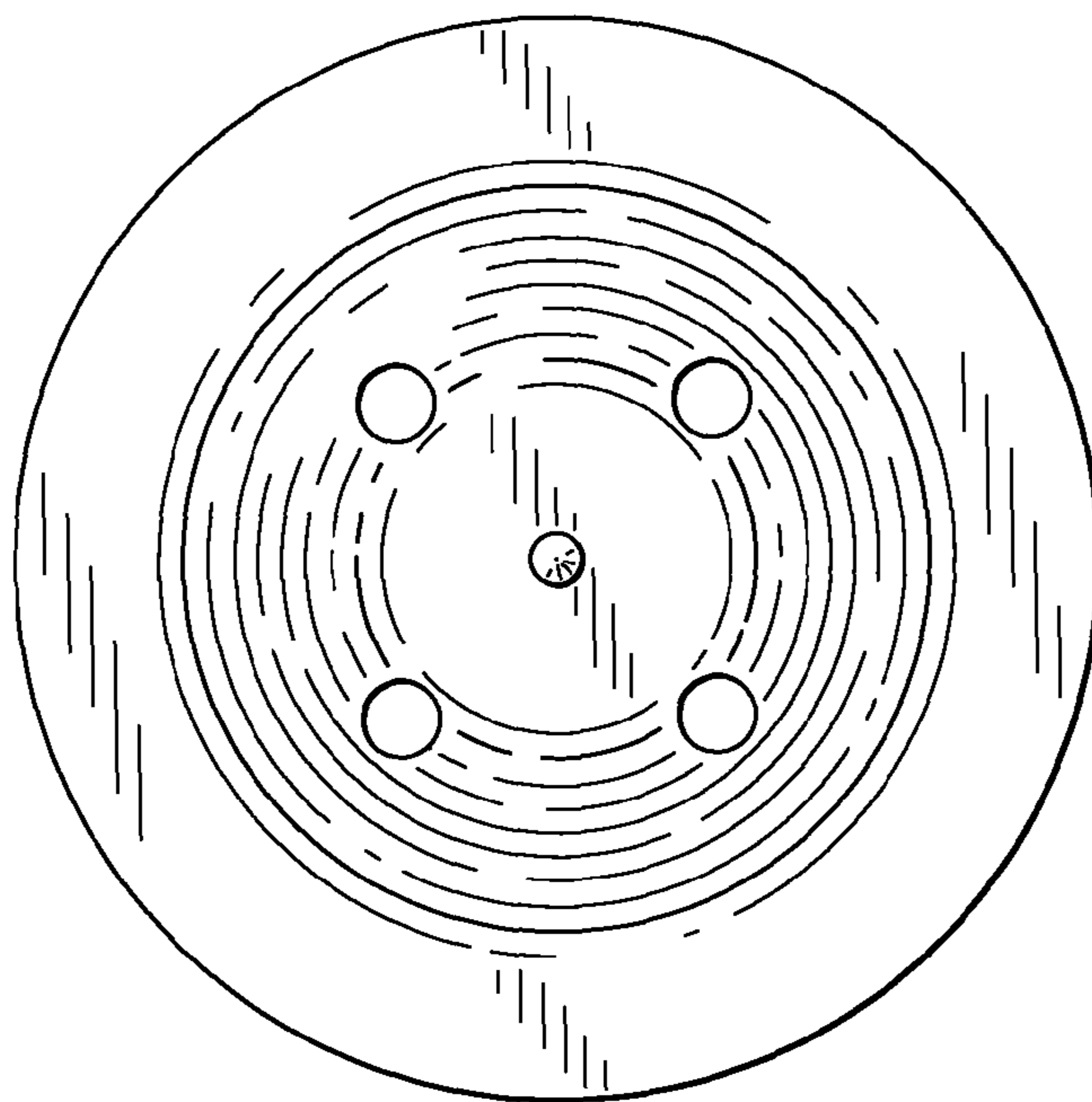


FIG. 4

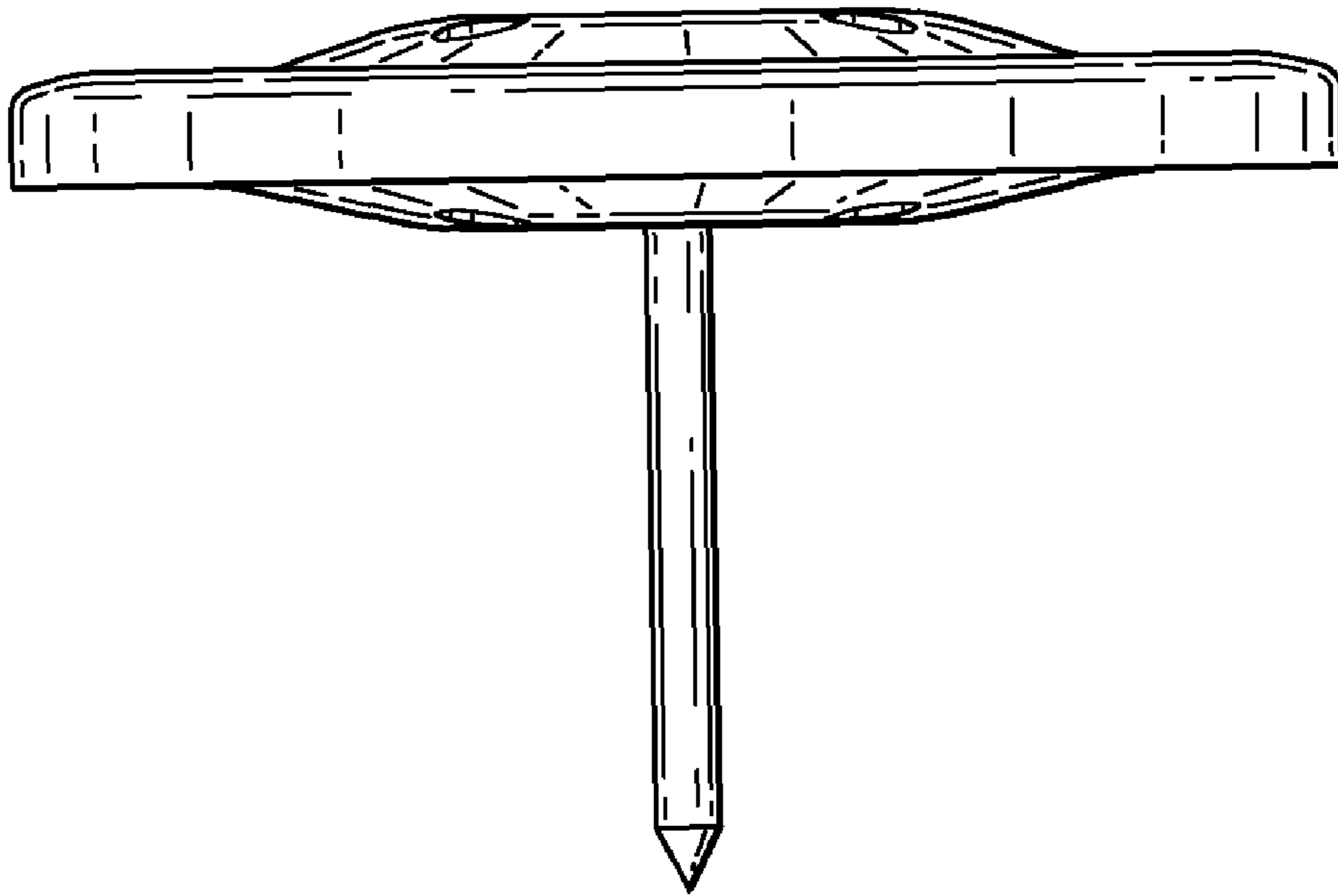


FIG. 5