



US00D617666S

(12) **United States Design Patent**  
**Stowers et al.**

(10) **Patent No.:** **US D617,666 S**  
(45) **Date of Patent:** **\*\* Jun. 15, 2010**

(54) **INTERFACE TEST ADAPTER**

(75) Inventors: **Jeffery P. Stowers**, Mt. Sidney, VA (US); **Randall C. Garman**, Waynesboro, VA (US)

(73) Assignee: **Virginia Panel Corporation**, Waynesboro, VA (US)

(\*\*) Term: **14 Years**

(21) Appl. No.: **29/331,881**

(22) Filed: **Feb. 3, 2009**

(51) **LOC (9) Cl.** ..... **10-04**

(52) **U.S. Cl.** ..... **D10/81**

(58) **Field of Classification Search** ..... D10/46, D10/80, 81, 103; D13/184; 312/293.1, 293.3, 312/223.1, 223.2; 324/156, 158.1; 361/600, 361/679, 724-726, 728; 439/346, 345, 350-355, 439/357, 358

See application file for complete search history.

(56) **References Cited**

**U.S. PATENT DOCUMENTS**

|              |     |         |                 |         |
|--------------|-----|---------|-----------------|---------|
| 5,966,023    | A   | 10/1999 | Burgers et al.  |         |
| 6,882,138    | B2  | 4/2005  | Langouet et al. |         |
| 7,297,014    | B1  | 11/2007 | Stowers et al.  |         |
| D561,125     | S   | 2/2008  | Stowers et al.  |         |
| 2003/0087537 | A1* | 5/2003  | Hubbard et al.  | 439/51  |
| 2005/0048832 | A1* | 3/2005  | Hubbard et al.  | 439/372 |

\* cited by examiner

*Primary Examiner*—Antoine D Davis  
(74) *Attorney, Agent, or Firm*—24IP Law Group; Timothy R. DeWitt

(57) **CLAIM**

The ornamental design for an interface test adapter, as shown and described.

**DESCRIPTION**

FIG. 1 is a front perspective view of an interface test adapter showing our new design;

FIG. 2 is a right side elevation view of the interface test adapter shown in FIG. 1;

FIG. 3 is a front elevation view of the interface test adapter shown in FIG. 1;

FIG. 4 is a rear elevation view of the interface test adapter shown in FIG. 1;

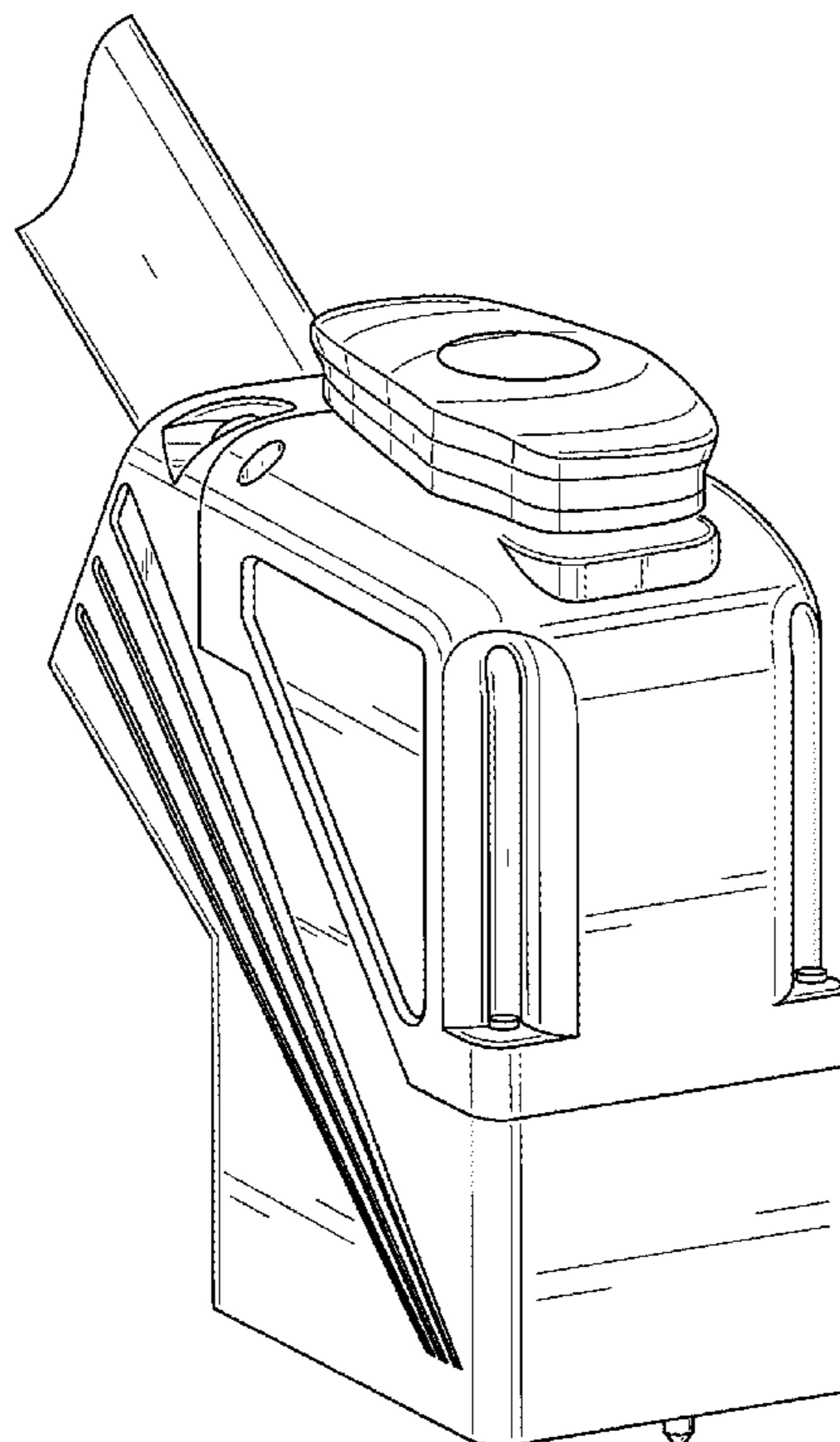
FIG. 5 is a left side elevation view of the interface test adapter shown in FIG. 1;

FIG. 6 is a top plan view of the interface test adapter shown in FIG. 1; and,

FIG. 7 is a bottom plan view of the interface test adapter shown in FIG. 1.

It will be understood that the dashed lines presented in the drawings are for illustration only and do not form a part of the claimed design.

**1 Claim, 6 Drawing Sheets**



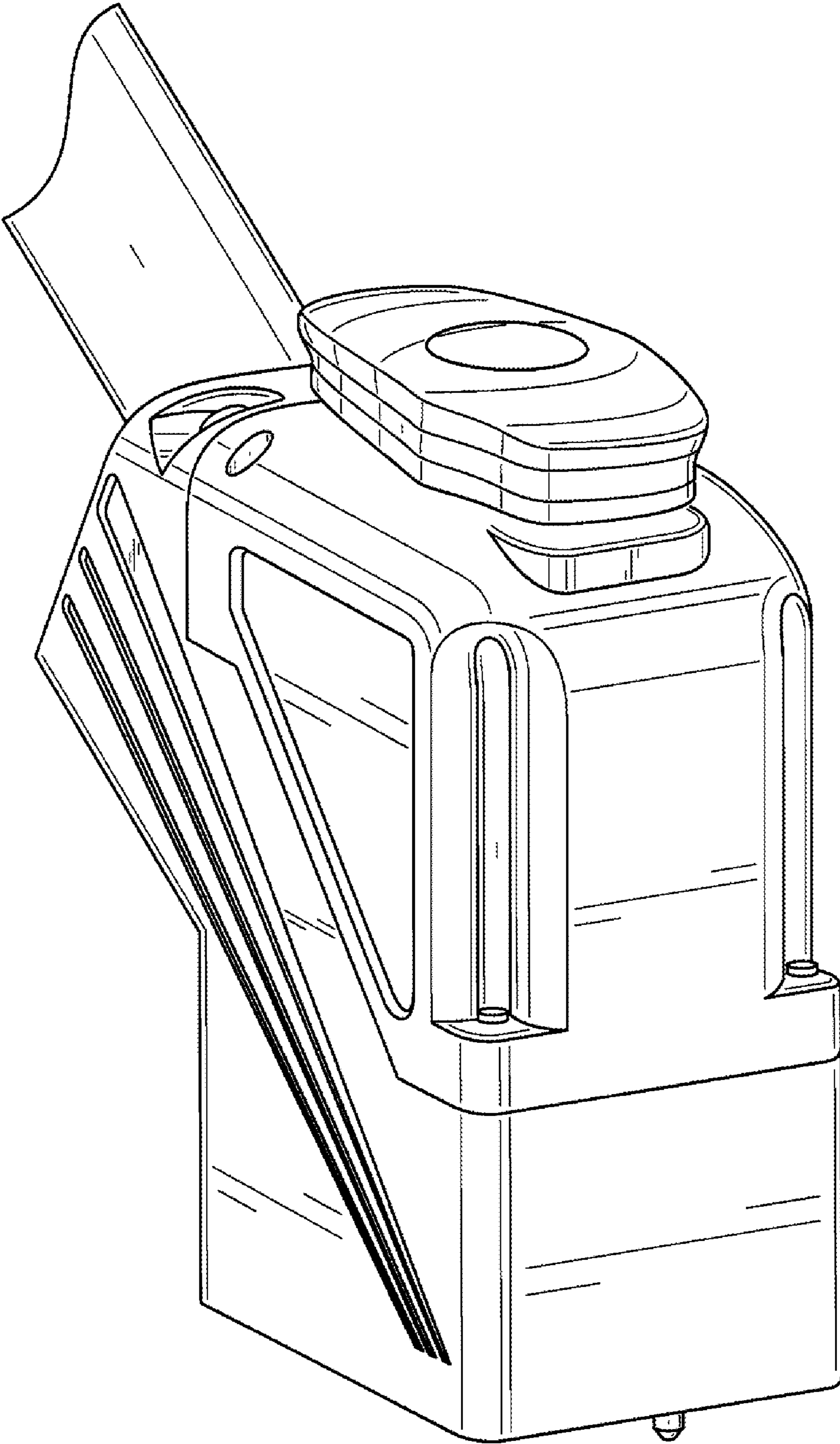


FIG. 1

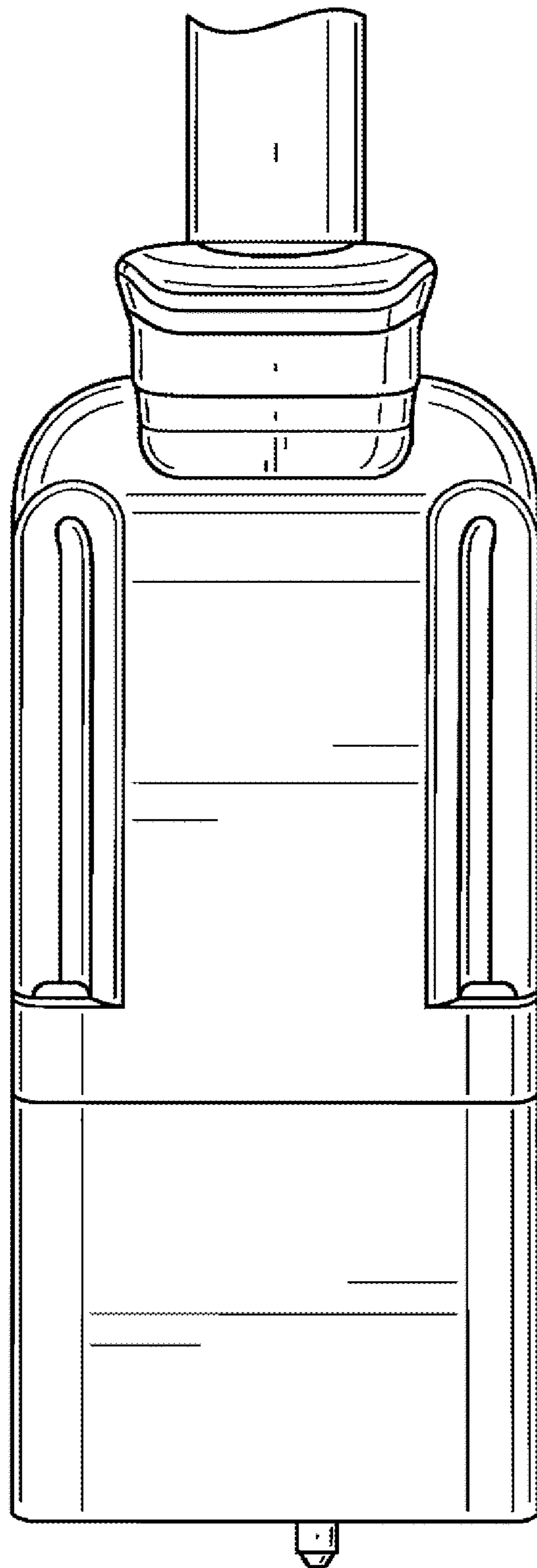


FIG. 2

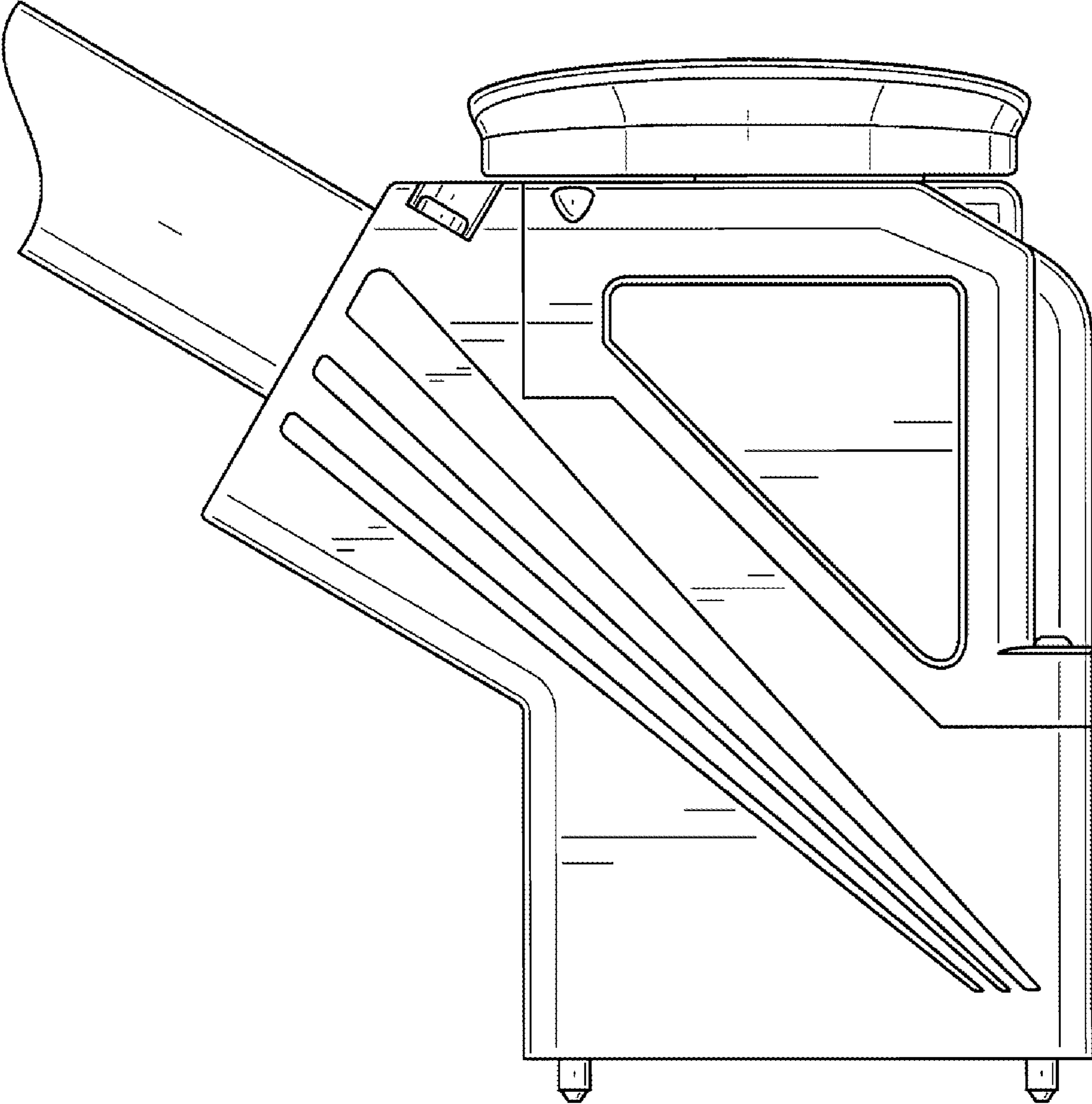


FIG. 3

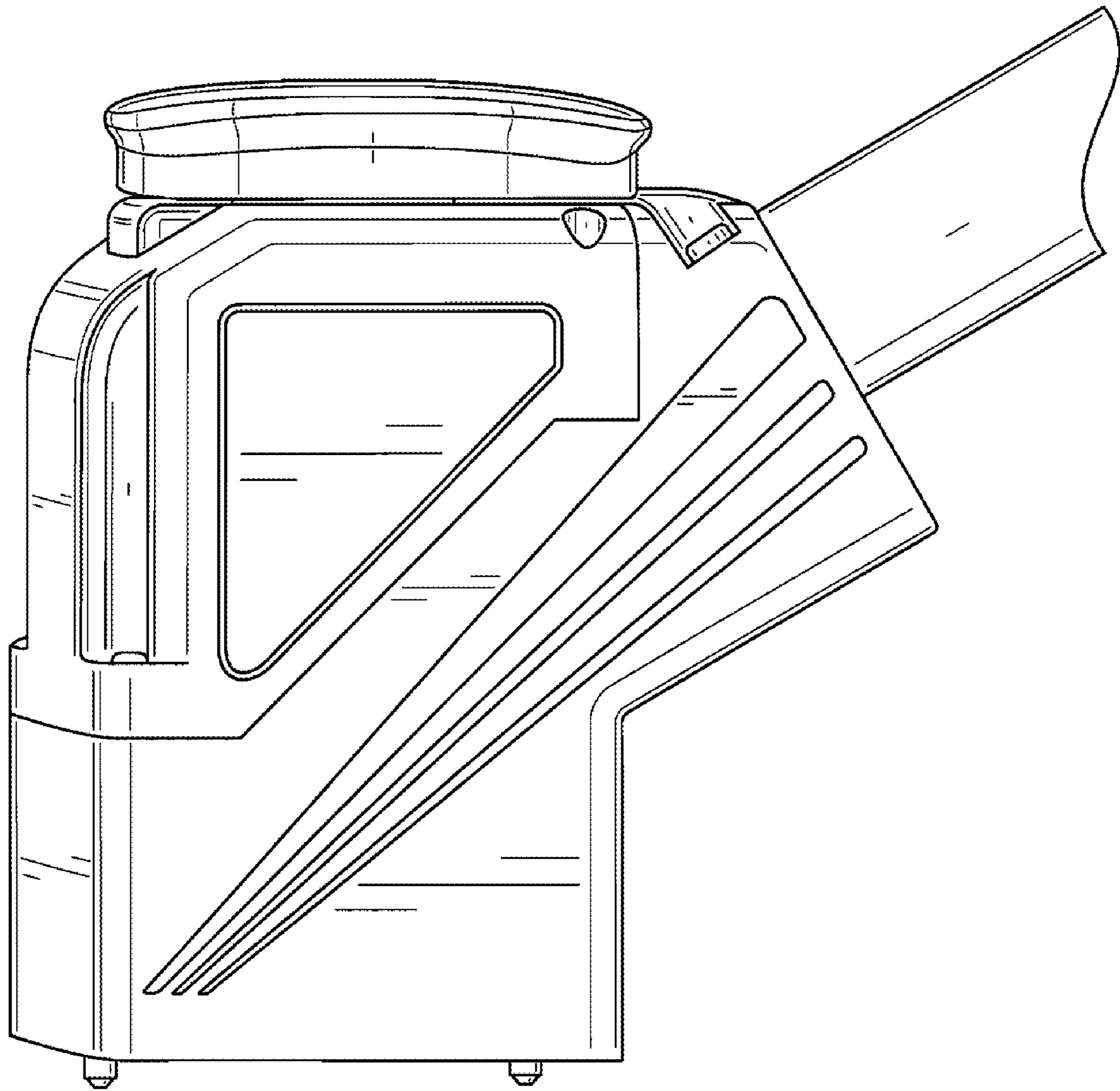


FIG. 4

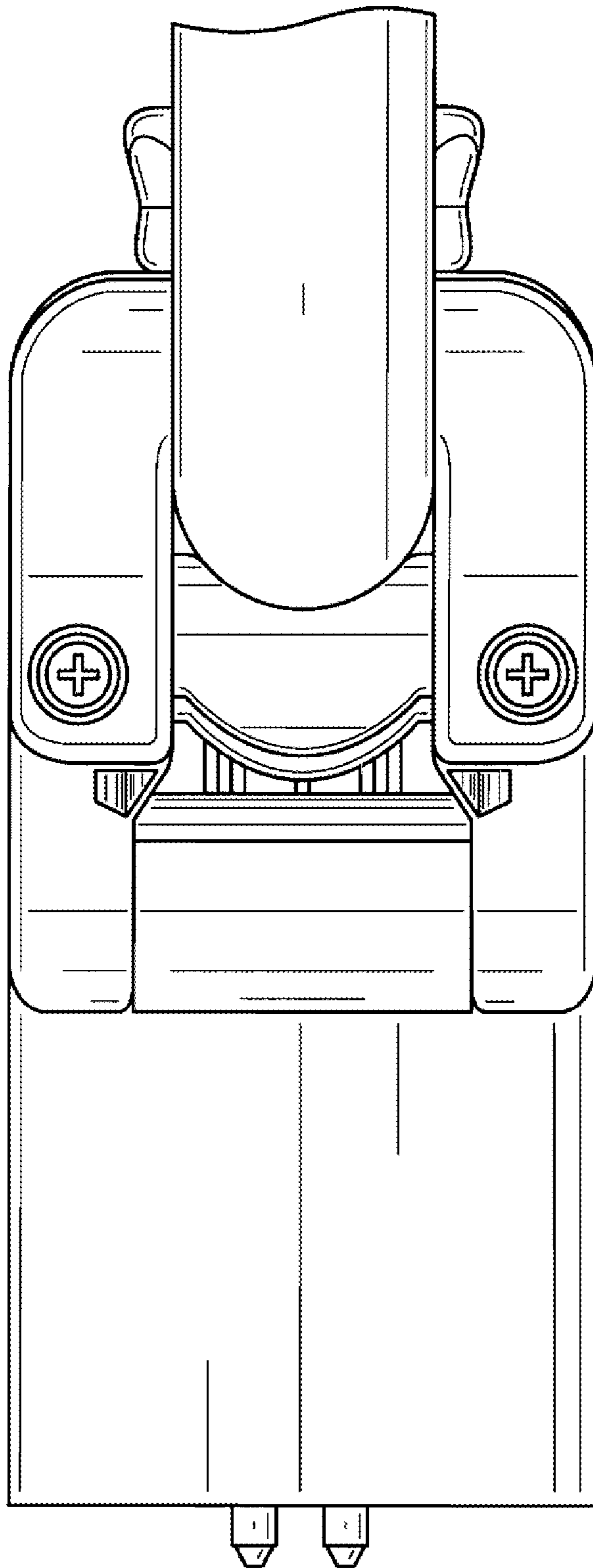


FIG. 5

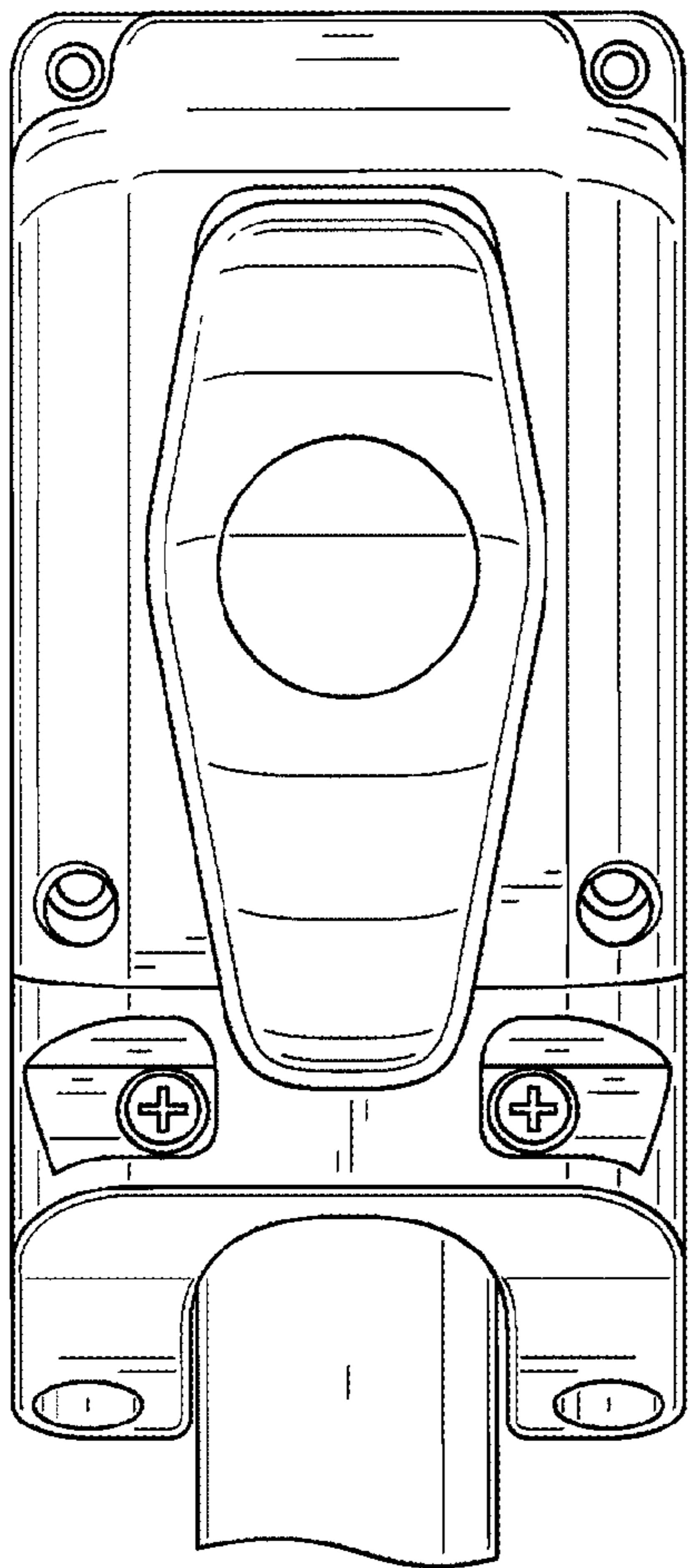


FIG. 6

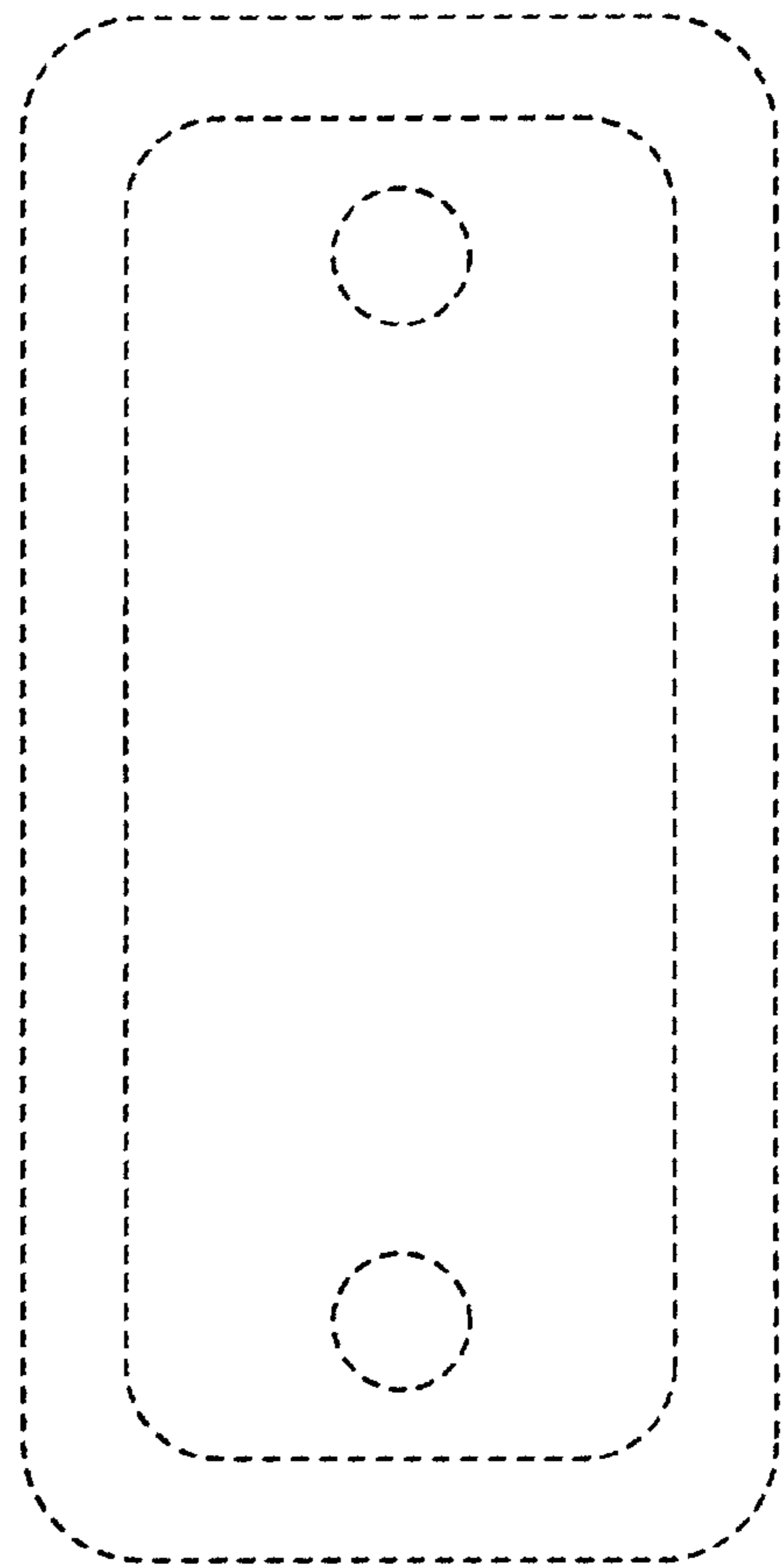


FIG. 7