



US00D617663S

(12) **United States Design Patent**
Jarvis

(10) **Patent No.:** **US D617,663 S**
(45) **Date of Patent:** **** Jun. 15, 2010**

(54) **WATCH CASING**

(75) Inventor: **Steve Jarvis**, Portland, OR (US)

(73) Assignee: **Timex Group B.V.**, Amsterdam (NL)

(**) Term: **14 Years**

(21) Appl. No.: **29/348,353**

(22) Filed: **Dec. 22, 2009**

Related U.S. Application Data

(62) Division of application No. 29/328,609, filed on Nov. 26, 2008, now Pat. No. Des. 610,025.

(51) **LOC (9) Cl.** **10-02**

(52) **U.S. Cl.** **D10/38**

(58) **Field of Classification Search** D10/30-39;
368/276, 281, 282, 285, 223
See application file for complete search history.

(56) **References Cited**

U.S. PATENT DOCUMENTS

D239,512 S *	4/1976	Tsukui	D10/38
4,209,973 A *	7/1980	Maezawa	368/84
D263,452 S *	3/1982	Wada	D10/38
D265,062 S *	6/1982	Hirabayashi	D10/38
D266,831 S *	11/1982	Iida	D10/38
D278,315 S	4/1985	Houlihan		
D287,471 S	12/1986	Sato et al.		
D293,892 S	1/1988	Ichikawa		
D295,264 S *	4/1988	Takeichi	D10/30
D298,218 S	10/1988	Brown		
D303,768 S	10/1989	Wakamatsu		
D303,769 S	10/1989	Ando		
D304,305 S	10/1989	Morishima		
D320,567 S	10/1991	Wakamatsu		
D331,021 S *	11/1992	Ishii et al.	D10/31
D355,379 S	2/1995	Hanagata		
D358,997 S	6/1995	Yamamoto		
D358,998 S	6/1995	Sugita		

D361,042 S *	8/1995	Nanayakkara	D10/31
5,477,508 A *	12/1995	Will	368/189
D390,789 S	2/1998	Sugita et al.		
D391,860 S	3/1998	Kubo		
D391,862 S	3/1998	Sugisawa et al.		
D396,416 S *	7/1998	Sugita et al.	D10/30
D501,836 S *	2/2005	Lowinger	D14/138 R
D525,881 S	8/2006	Shiraishi et al.		
D528,440 S	9/2006	Lovegrove		
D528,441 S *	9/2006	Burton	D10/38
D548,624 S	8/2007	Yamamoto et al.		
D558,067 S *	12/2007	Carbonatto	D10/38
D584,170 S *	1/2009	Morrison	D10/32

OTHER PUBLICATIONS

2004 Nissan Xterra; www.edmunds.com.
2005 Land Rover LR3; www.edmunds.com.

* cited by examiner

Primary Examiner—Lucy Lieberman
(74) *Attorney, Agent, or Firm*—Carmody & Torrance LLP

(57) **CLAIM**

The ornamental design for a watch casing, as shown and described.

DESCRIPTION

FIG. 1 is a perspective view of a watch casing showing my new design;

FIG. 2 is a right side elevational thereof;

FIG. 3 is a left elevational view thereof;

FIG. 4 is a first end elevational view thereof;

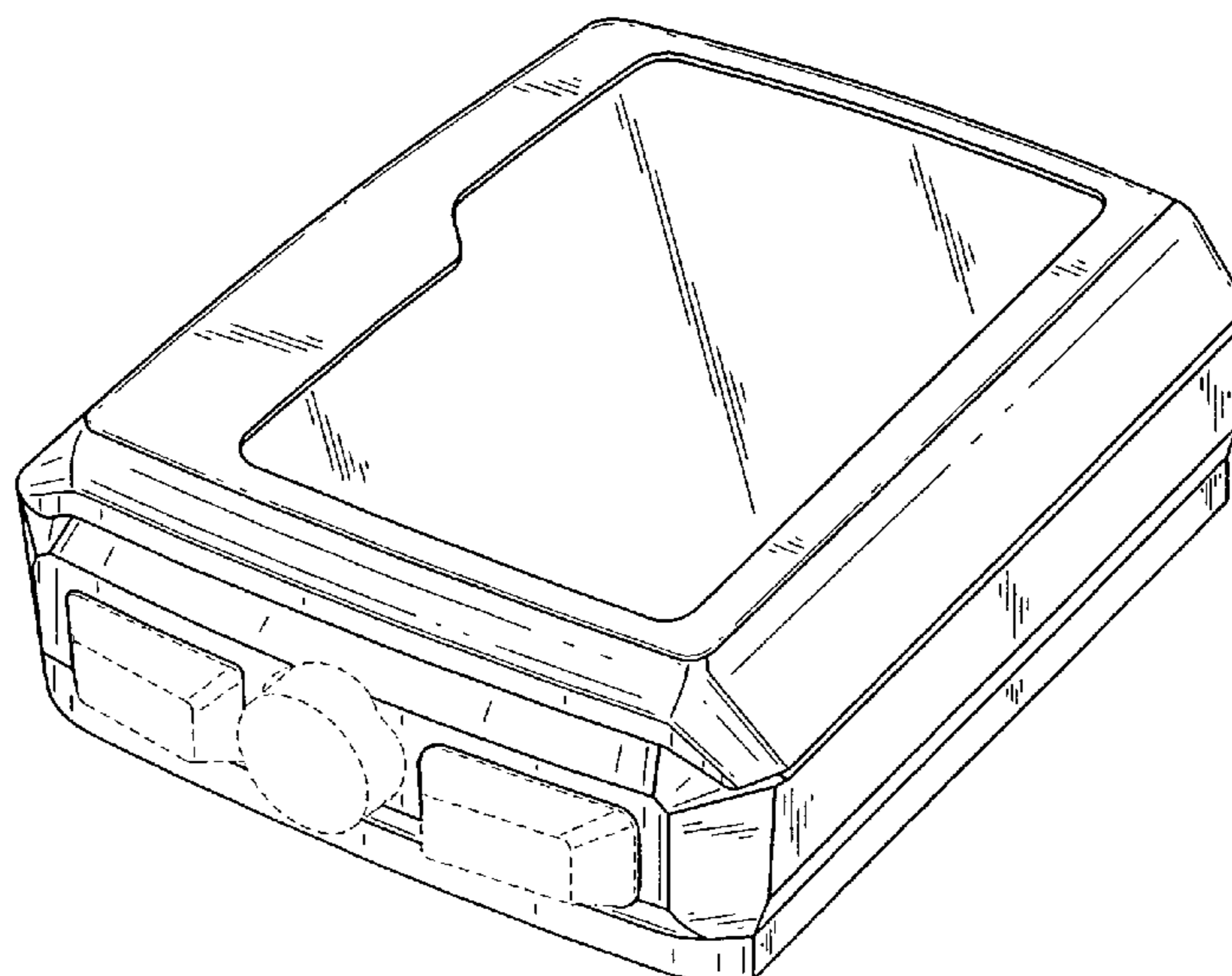
FIG. 5 is a second end elevational view thereof;

FIG. 6 is a top plan view thereof; and,

FIG. 7 is a bottom plan view thereof.

The dotted lines are intended to show features that are environmental only and form no part of the claimed design.

1 Claim, 4 Drawing Sheets



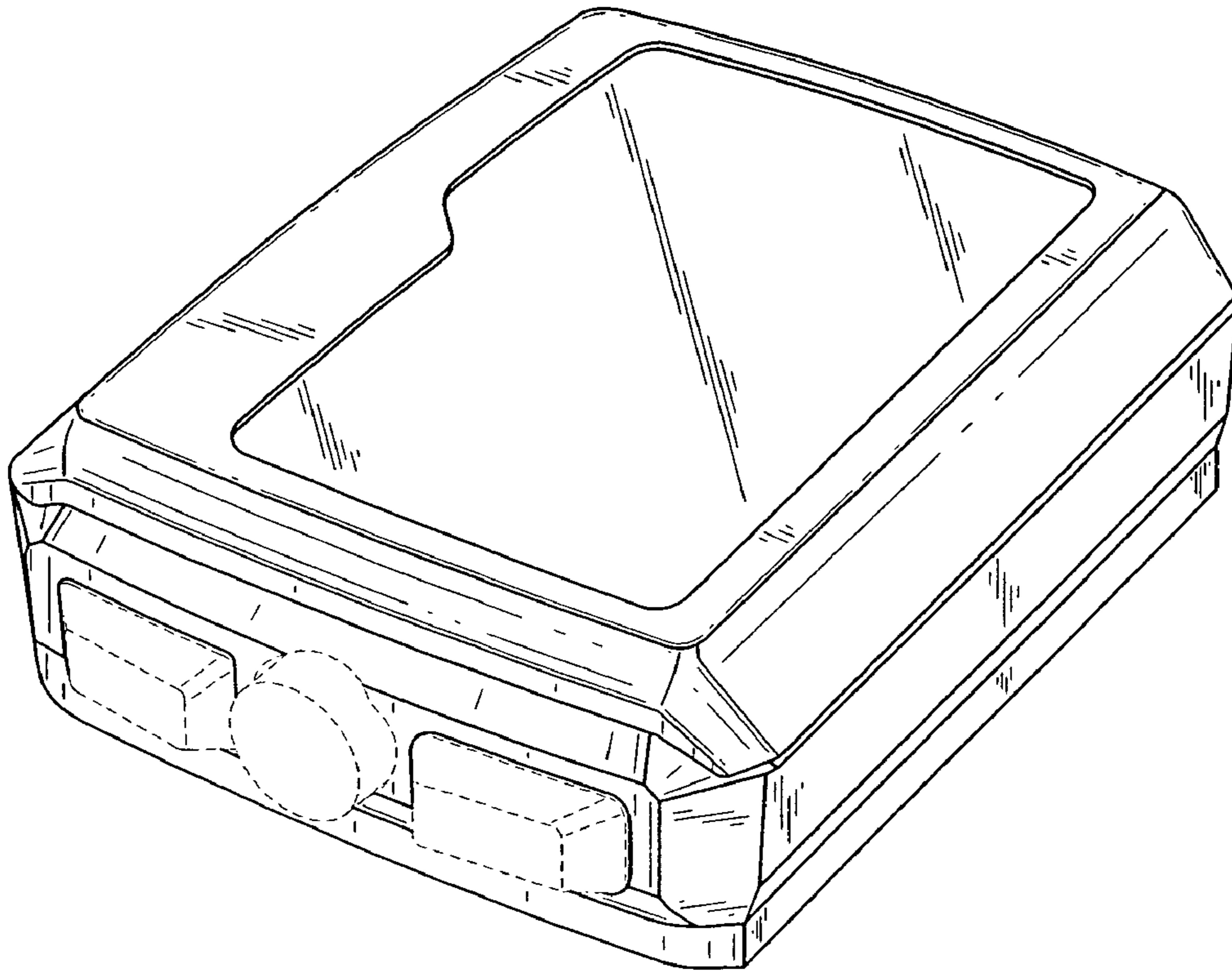


FIG. 1

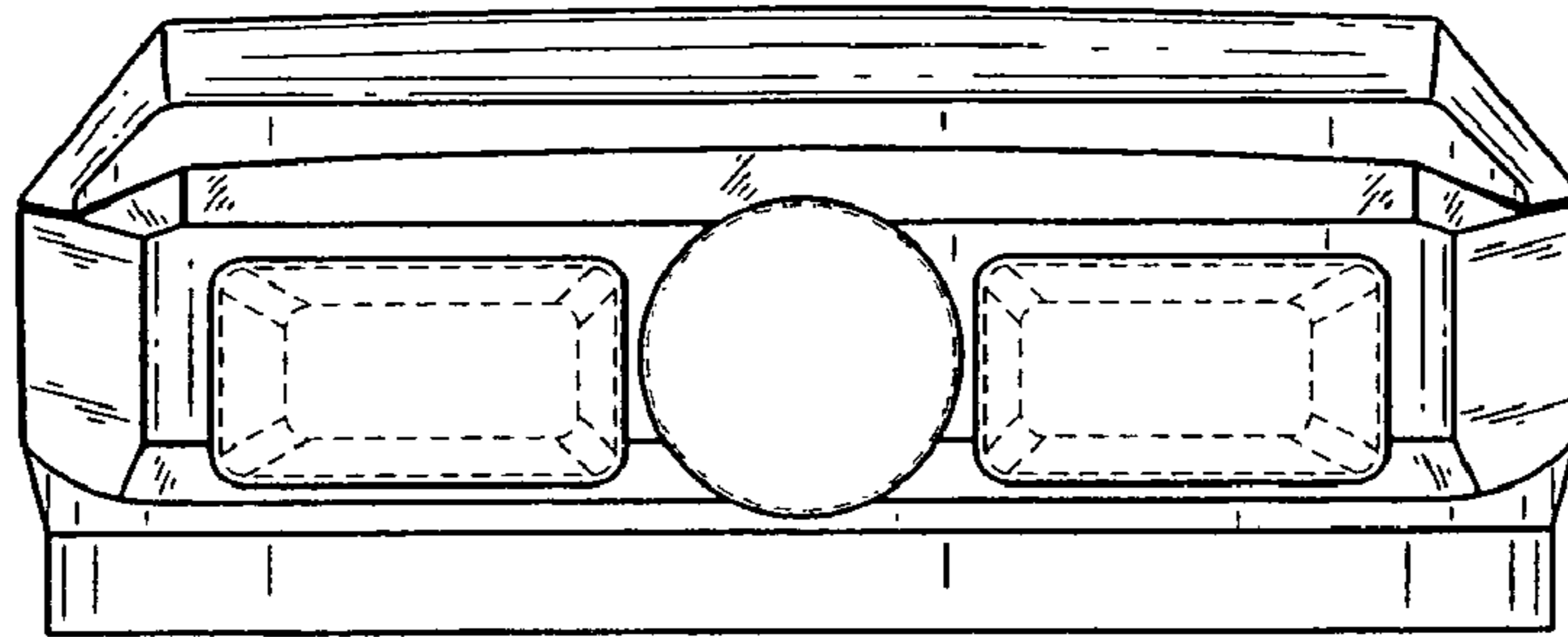


FIG. 2

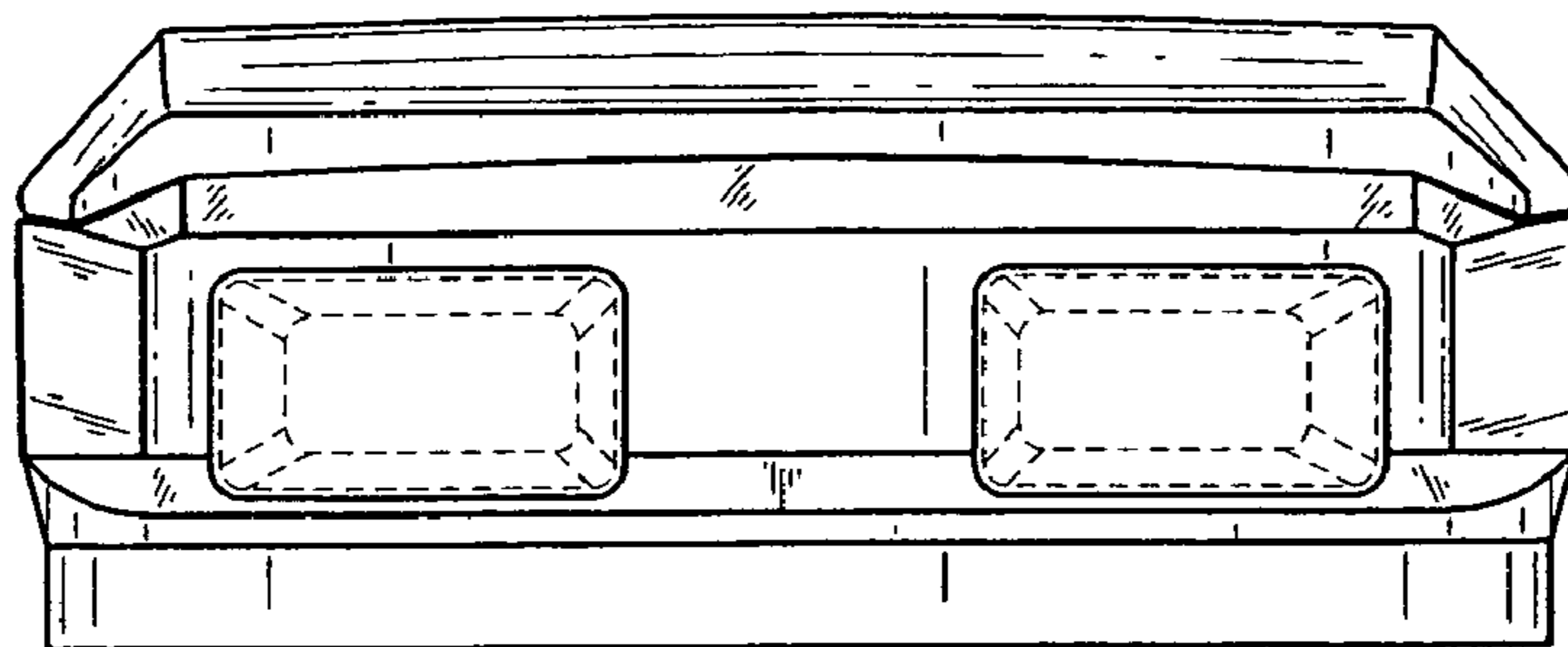


FIG. 3

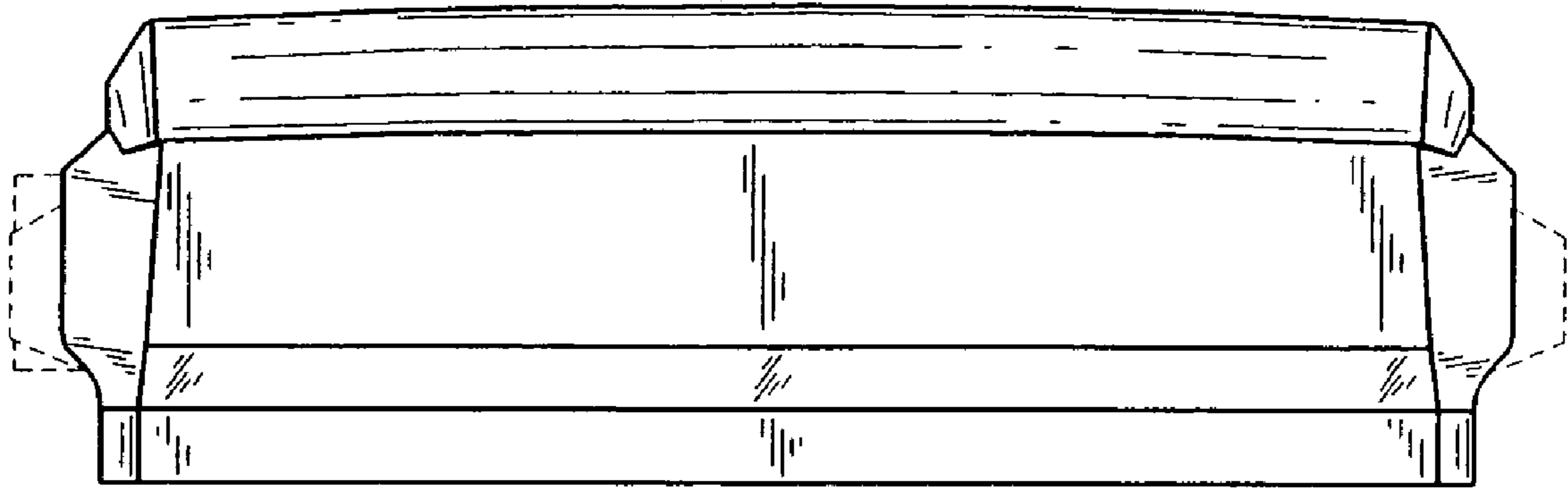


FIG. 4

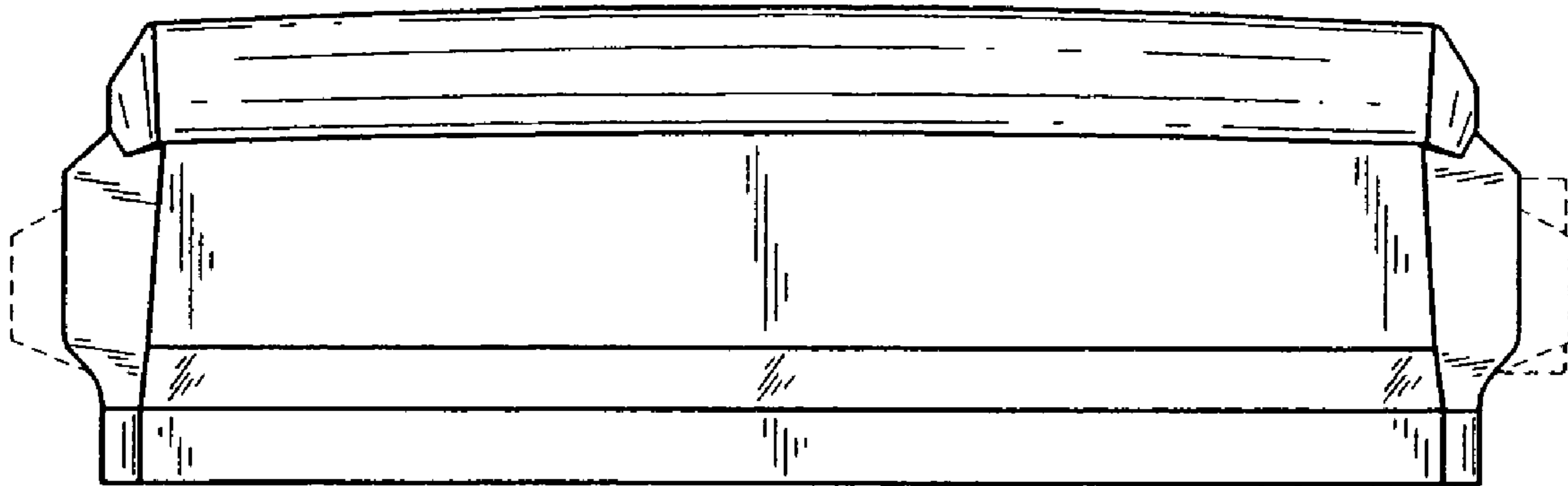


FIG. 5

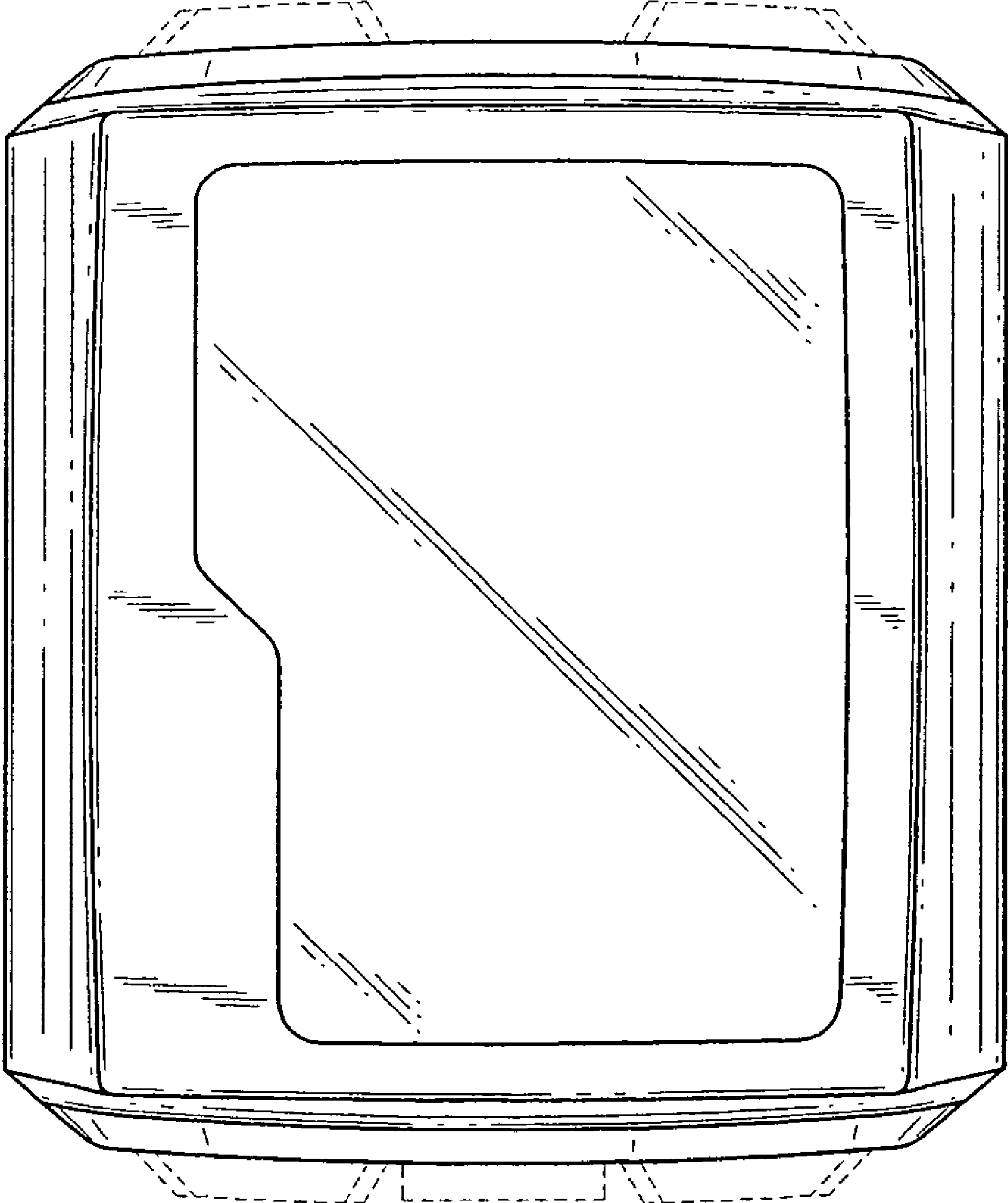


FIG. 6

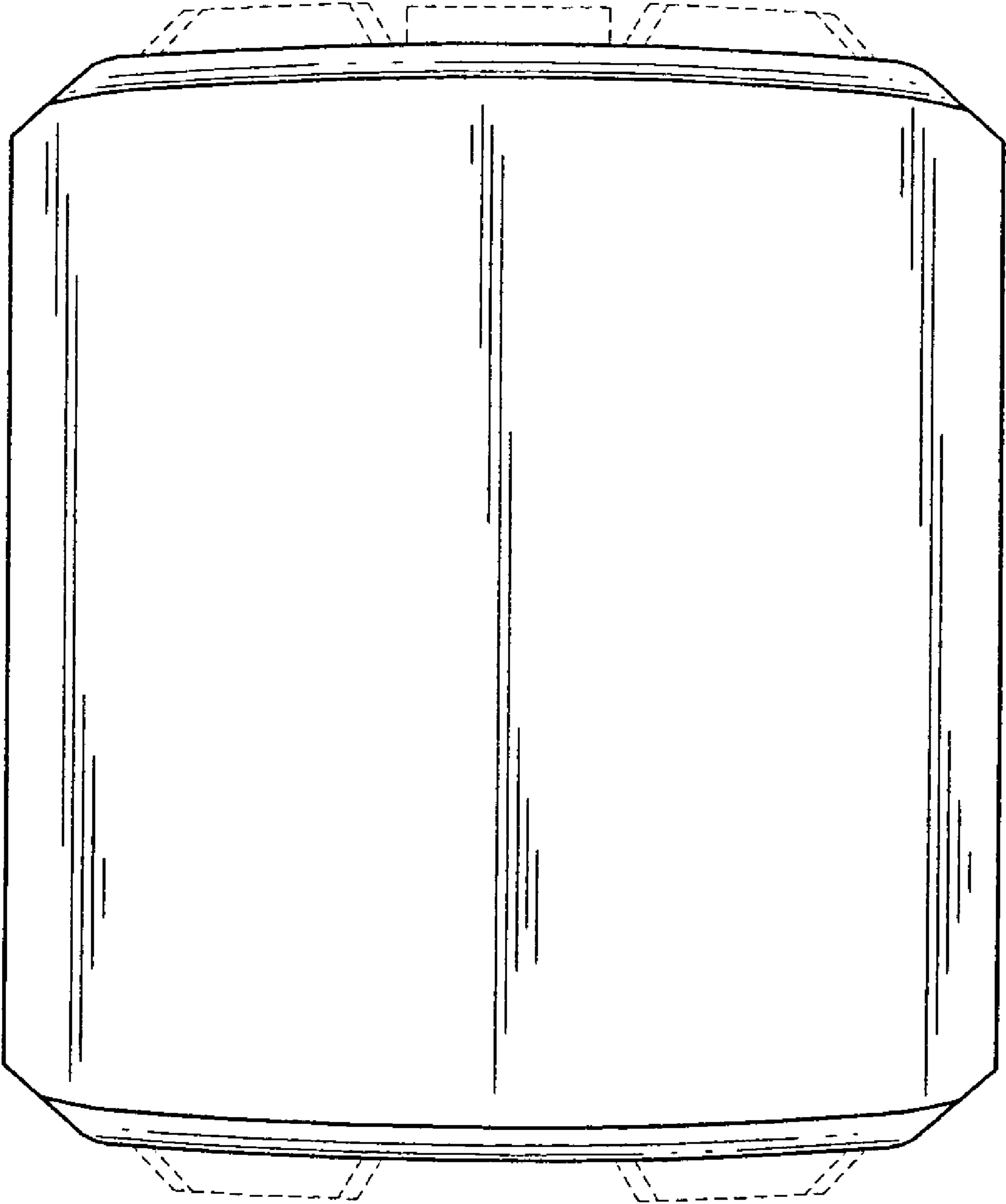


FIG. 7