



US00D617662S

(12) **United States Design Patent**  
**Monachon**

(10) **Patent No.:** **US D617,662 S**  
(45) **Date of Patent:** **\*\* Jun. 15, 2010**

(54) **WRISTWATCH**

(75) Inventor: **Jean-Claude Monachon**, Bevaix (CH)

(73) Assignee: **Omega SA (Omega AG) (Omega Ltd.)**,  
Biel/Bienne (CH)

(\*\*) Term: **14 Years**

(21) Appl. No.: **29/350,923**

(22) Filed: **Nov. 25, 2009**

(51) **LOC (9) Cl.** ..... **10-02**

(52) **U.S. Cl.** ..... **D10/32**

(58) **Field of Classification Search** ..... D10/30–39,  
D10/122–126; 368/276, 277, 281, 282, 285;  
D11/3

See application file for complete search history.

(56) **References Cited**

**U.S. PATENT DOCUMENTS**

D42,657 S *	6/1912	Wachter	.....	D10/32
2,191,020 A *	2/1940	Kaufmann	.....	224/177
D266,058 S *	9/1982	Kanoui	.....	D10/39
D281,957 S *	12/1985	Bulgari	.....	D11/3
D284,951 S *	8/1986	Chodat	.....	D11/4
D296,084 S *	6/1988	Hillhouse, Jr.	.....	D10/32
4,970,708 A *	11/1990	Gagnebin et al.	.....	368/300
D314,153 S *	1/1991	Ratajski	.....	D10/32
D314,527 S *	2/1991	Kaneko	.....	D11/3
D315,311 S *	3/1991	Ratajski	.....	D10/32
D318,626 S *	7/1991	Wunderman	.....	D10/32
D319,027 S *	8/1991	Burgener	.....	D10/36
D322,037 S *	12/1991	Takani	.....	D10/32
D323,992 S *	2/1992	Coveri	.....	D10/32
D324,828 S *	3/1992	Wunderman	.....	D10/32
D324,829 S *	3/1992	Bock	.....	D10/126
D326,232 S *	5/1992	Kurebayashi	.....	D10/39
D327,437 S *	6/1992	Bulgari	.....	D10/32
5,119,351 A *	6/1992	Gogniat	.....	368/282
D328,866 S *	8/1992	Deleskiewicz	.....	D10/39
D332,055 S *	12/1992	Gander	.....	D10/39

5,204,846 A *	4/1993	Brahaney	.....	368/228
5,373,484 A *	12/1994	Rappo et al.	.....	368/282
5,398,218 A *	3/1995	Munnier et al.	.....	368/282
D386,979 S *	12/1997	Kubisch	.....	D10/32
D389,416 S *	1/1998	Borel	.....	D10/32
D391,873 S *	3/1998	Perrin et al.	.....	D10/39
D393,602 S *	4/1998	Sang	.....	D11/3
D398,541 S *	9/1998	Voegeli	.....	D10/32
D420,920 S *	2/2000	Bach	.....	D10/32
D448,311 S *	9/2001	Sciacca	.....	D10/39
D541,674 S *	5/2007	Senggen et al.	.....	D10/32
D553,019 S *	10/2007	Senggen et al.	.....	D10/32
D558,633 S *	1/2008	Wei	.....	D10/126
D580,793 S *	11/2008	Kawashima	.....	D10/32
D580,796 S *	11/2008	Calvani	.....	D10/33
D596,049 S *	7/2009	Jorst et al.	.....	D10/32
D596,050 S *	7/2009	Monachon	.....	D10/32

\* cited by examiner

*Primary Examiner*—Lucy Lieberman

(74) *Attorney, Agent, or Firm*—Collen IP; Donald J. Ranft

(57) **CLAIM**

The ornamental design for a wristwatch, as shown and described.

**DESCRIPTION**

FIG. 1 is a front view of my new, original and ornamental design for a wristwatch;

FIG. 2 is a rear view thereof;

FIG. 3 is a right side view thereof;

FIG. 4 is a left side view thereof;

FIG. 5 is a bottom view thereof;

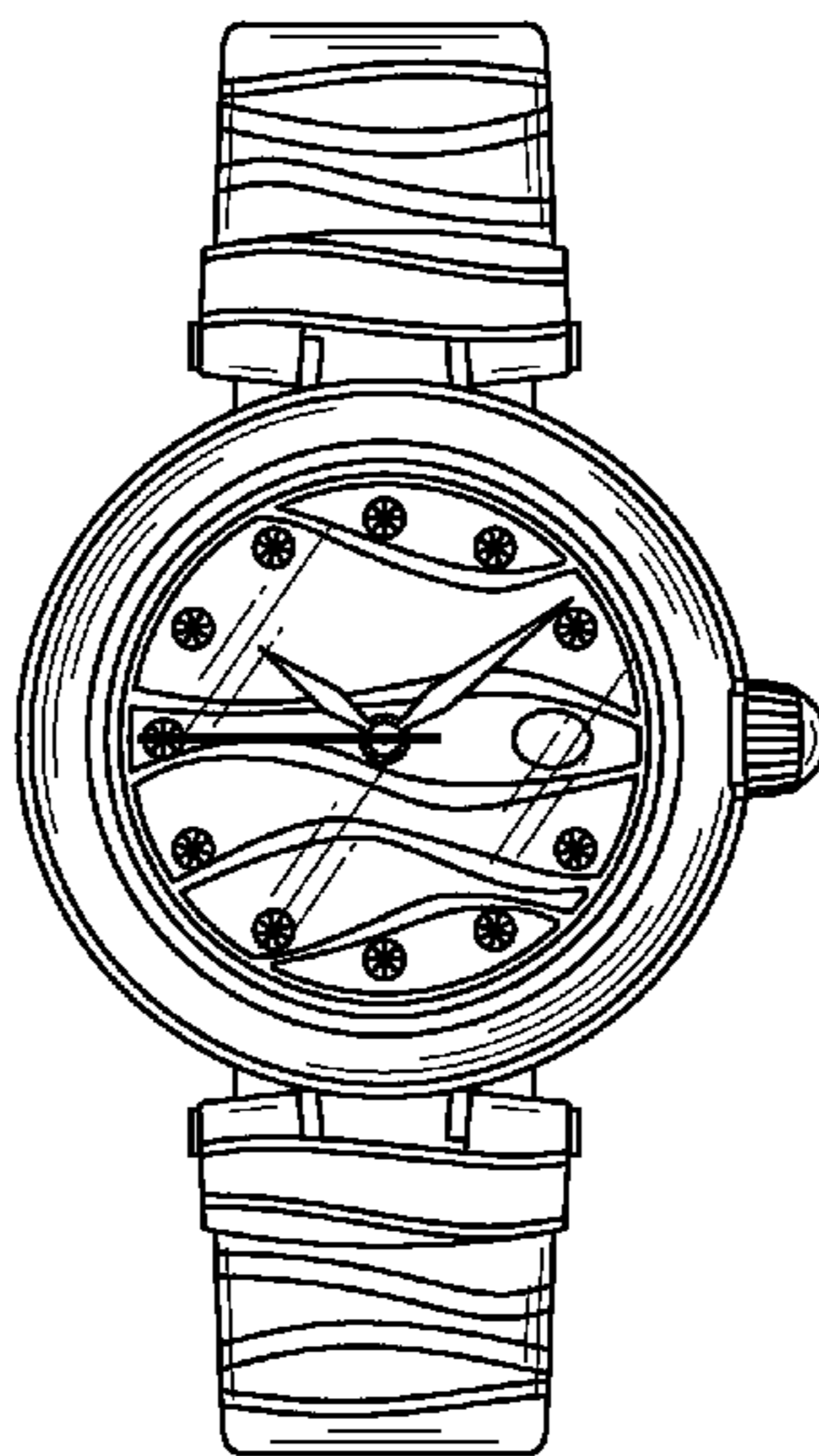
FIG. 6 is a top view thereof;

FIG. 7 is a front perspective view thereof; and,

FIG. 8 is a rear perspective view thereof.

The broken lines in FIG. 8 are used to show portions of the wristwatch that do not form part of the claimed design.

**1 Claim, 4 Drawing Sheets**



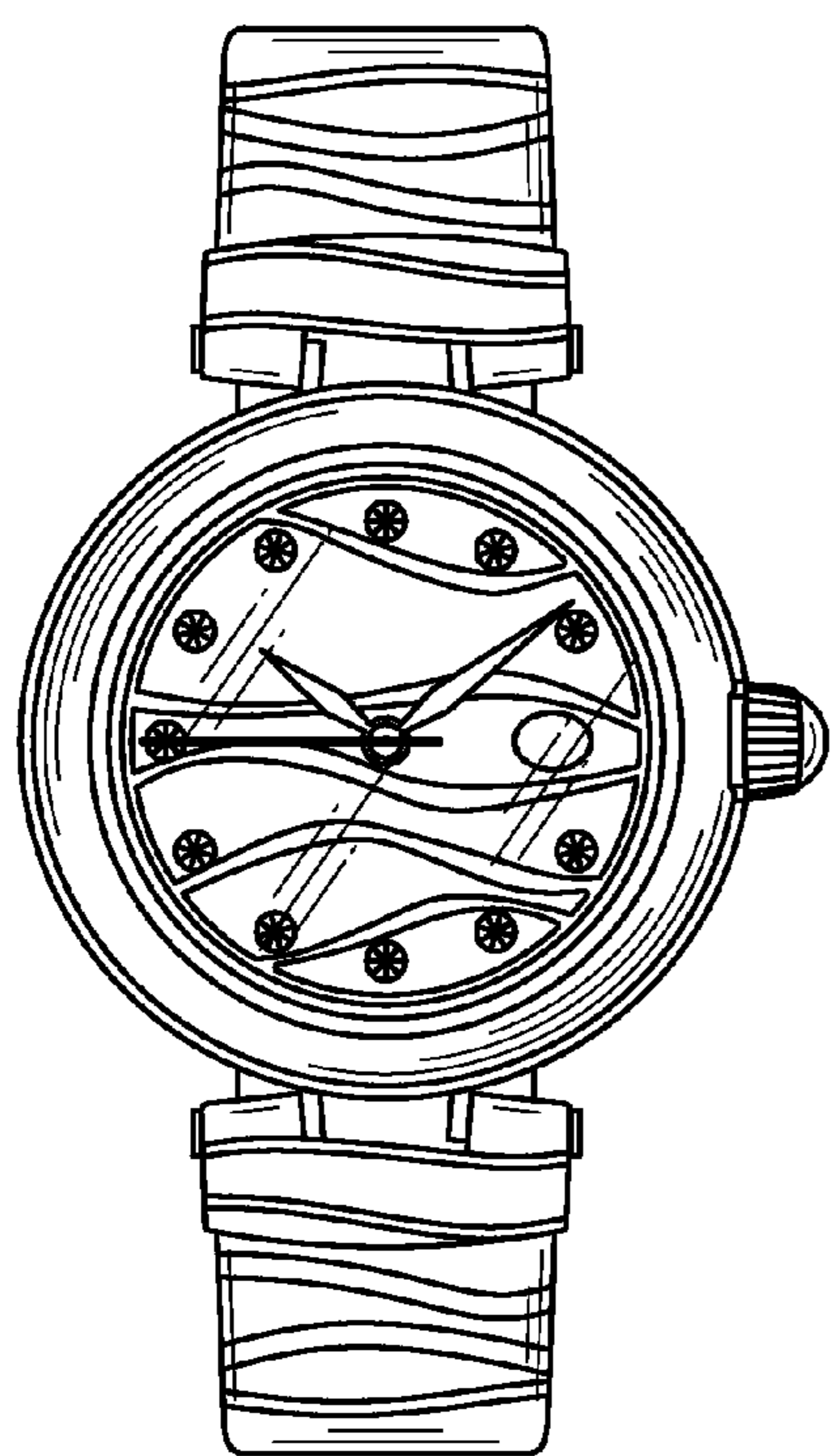


FIG. 1

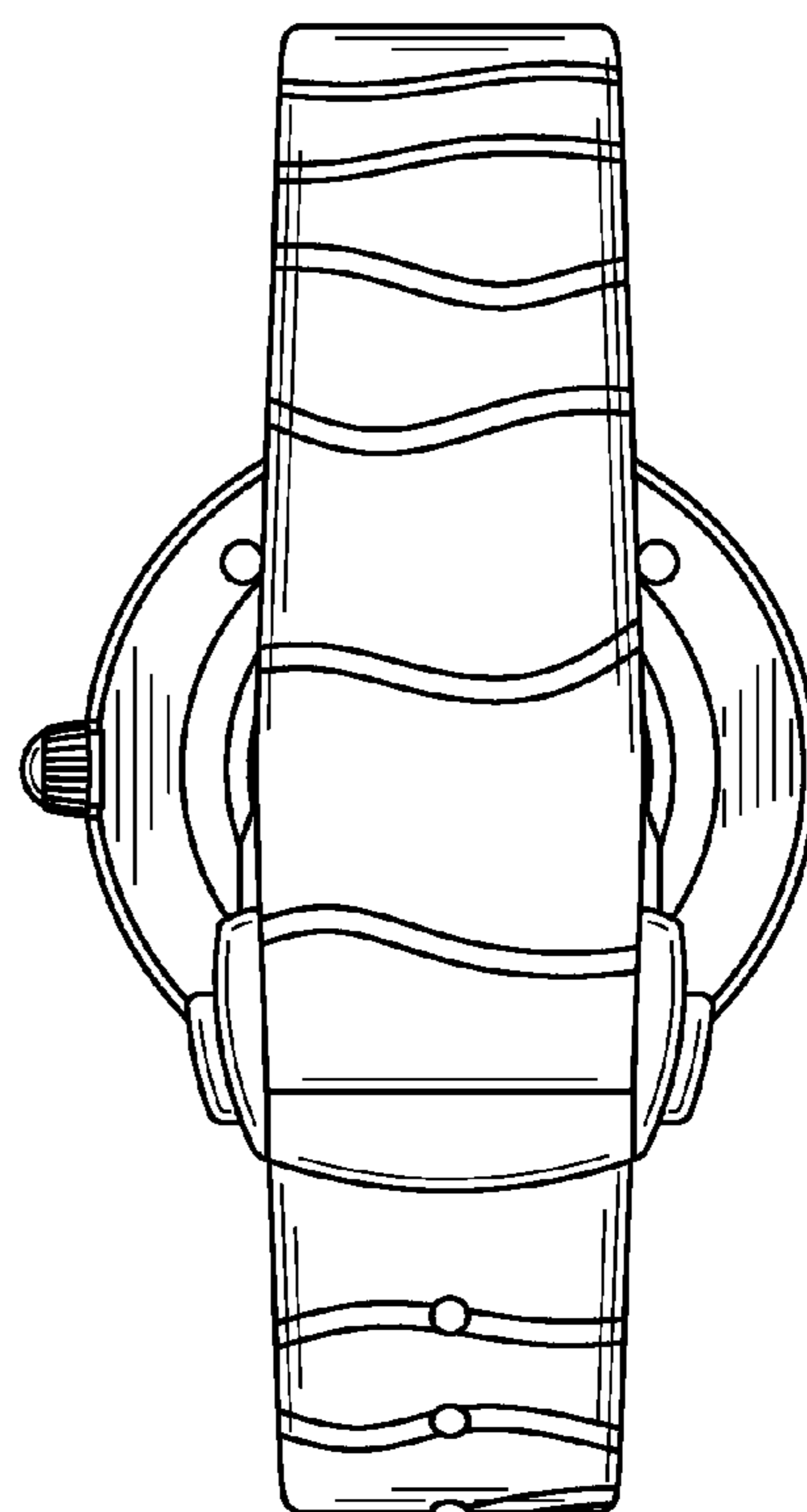


FIG. 2

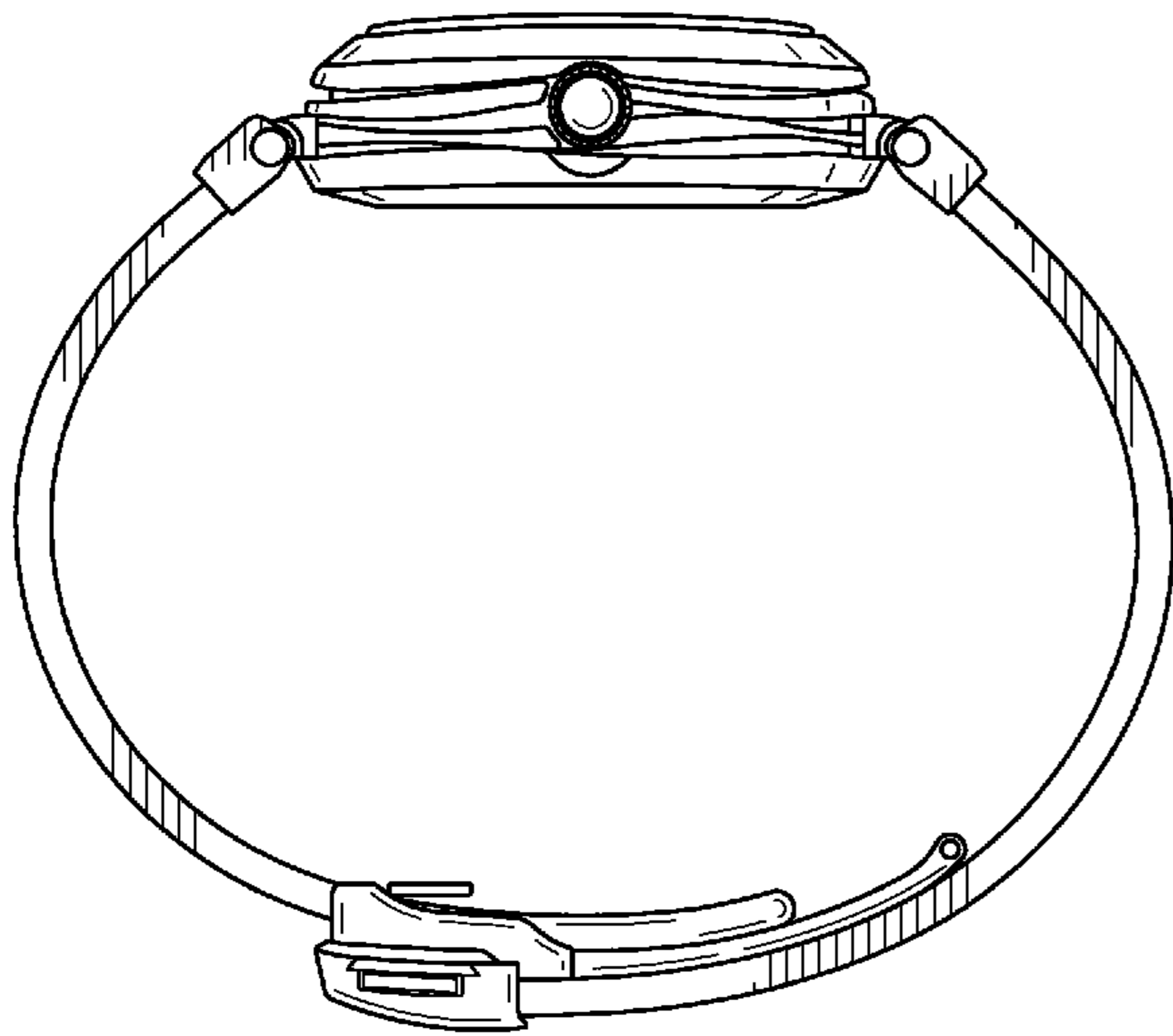


FIG. 3

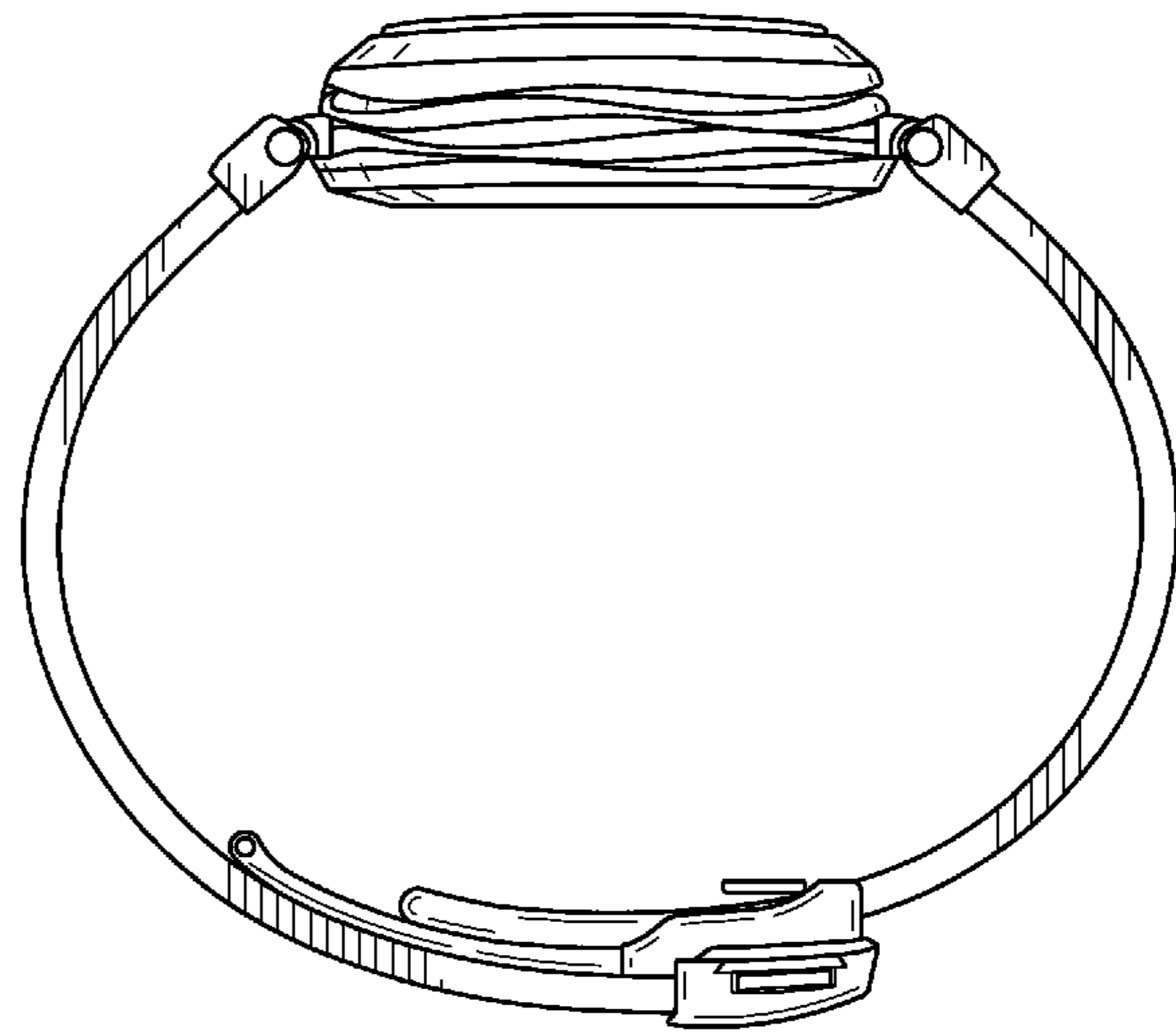


FIG. 4

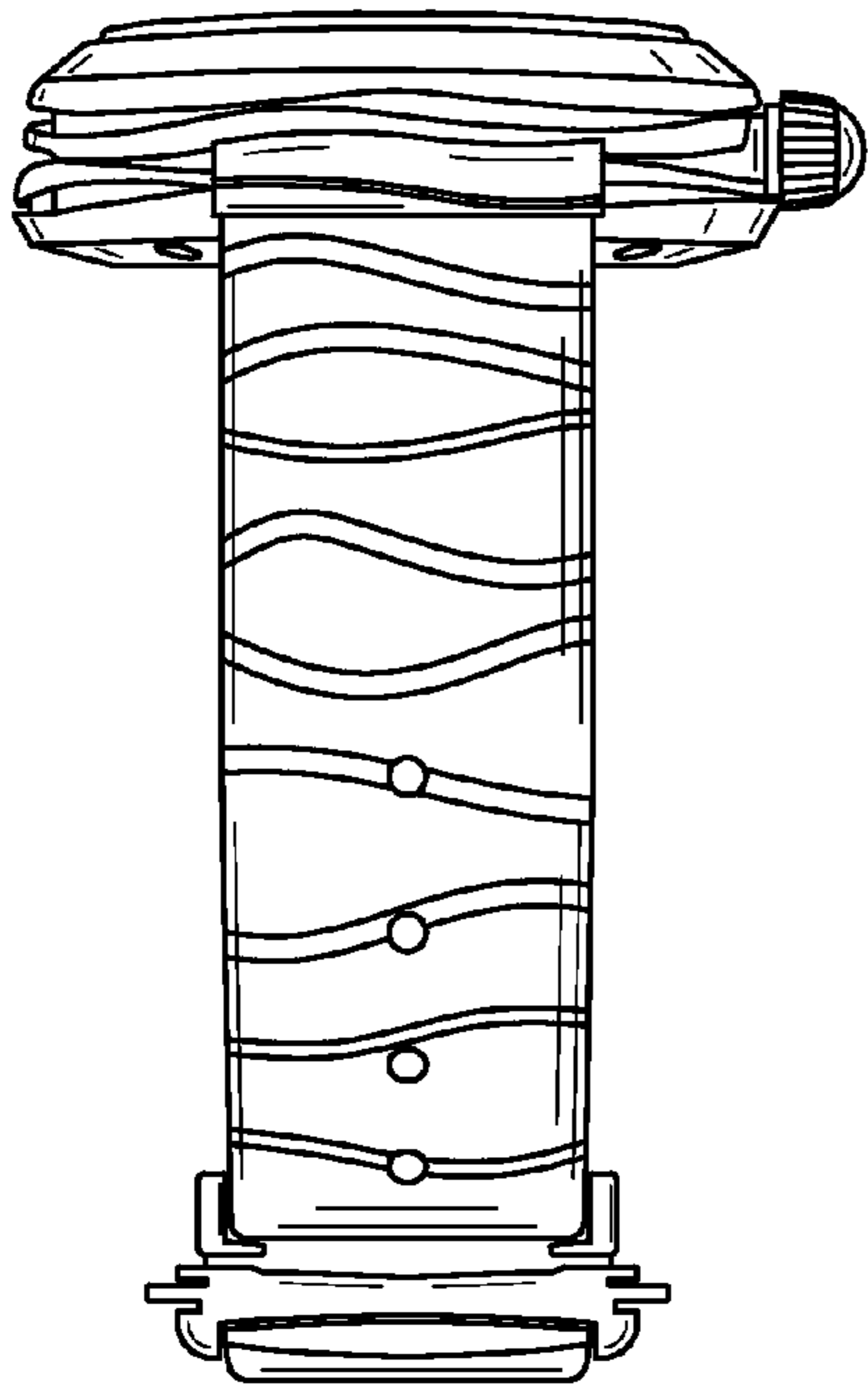


FIG. 5

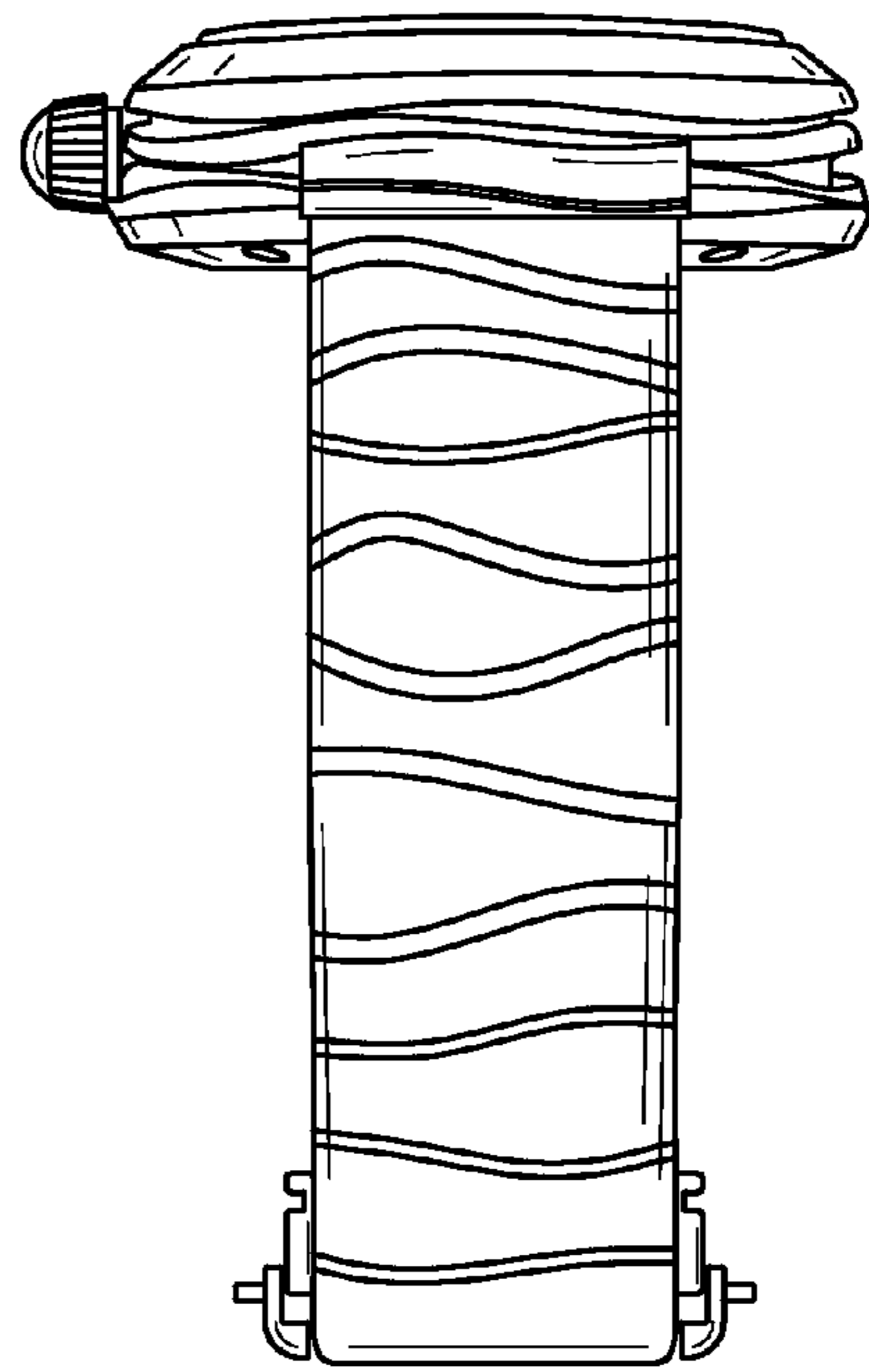


FIG. 6

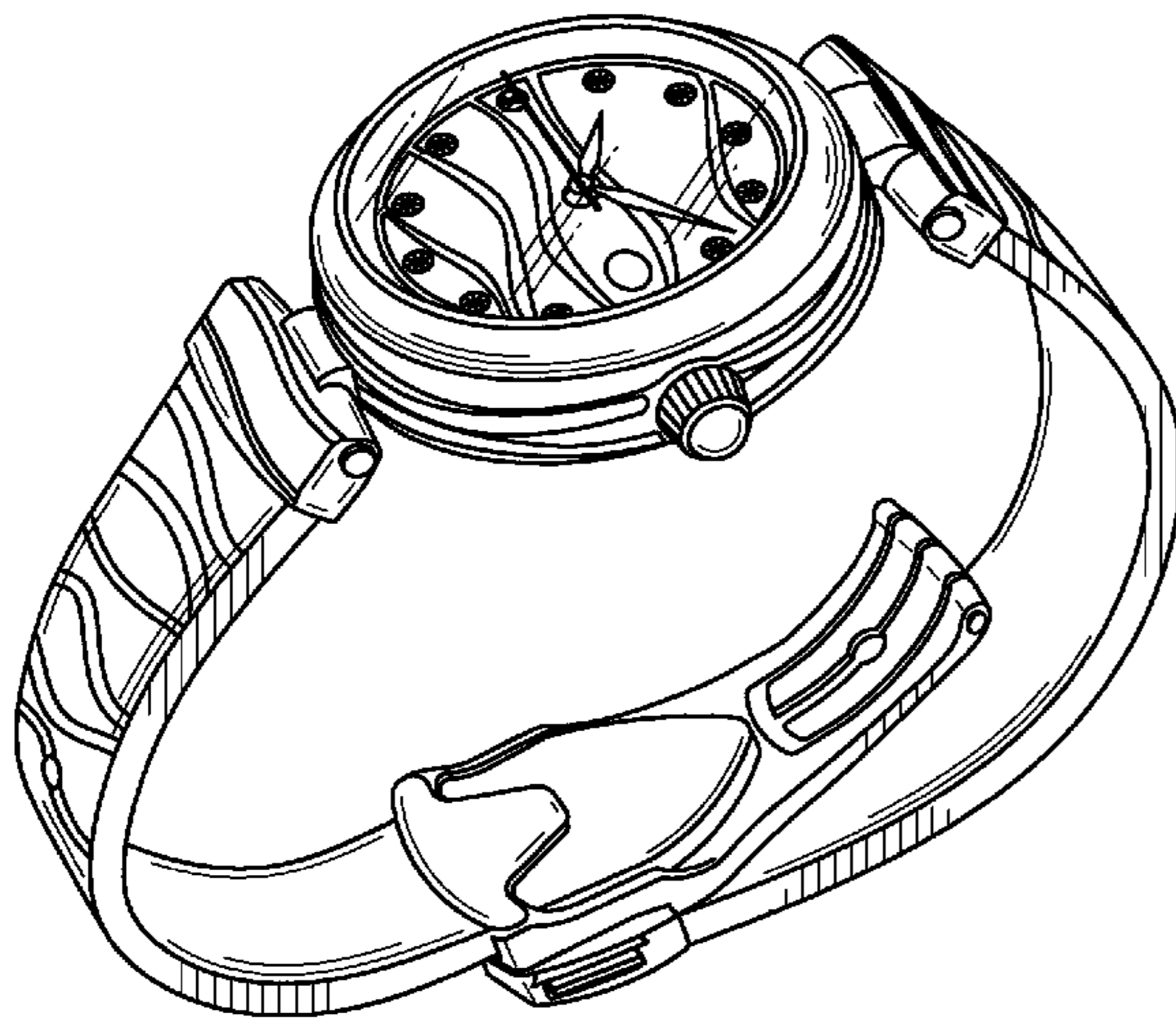


FIG. 7

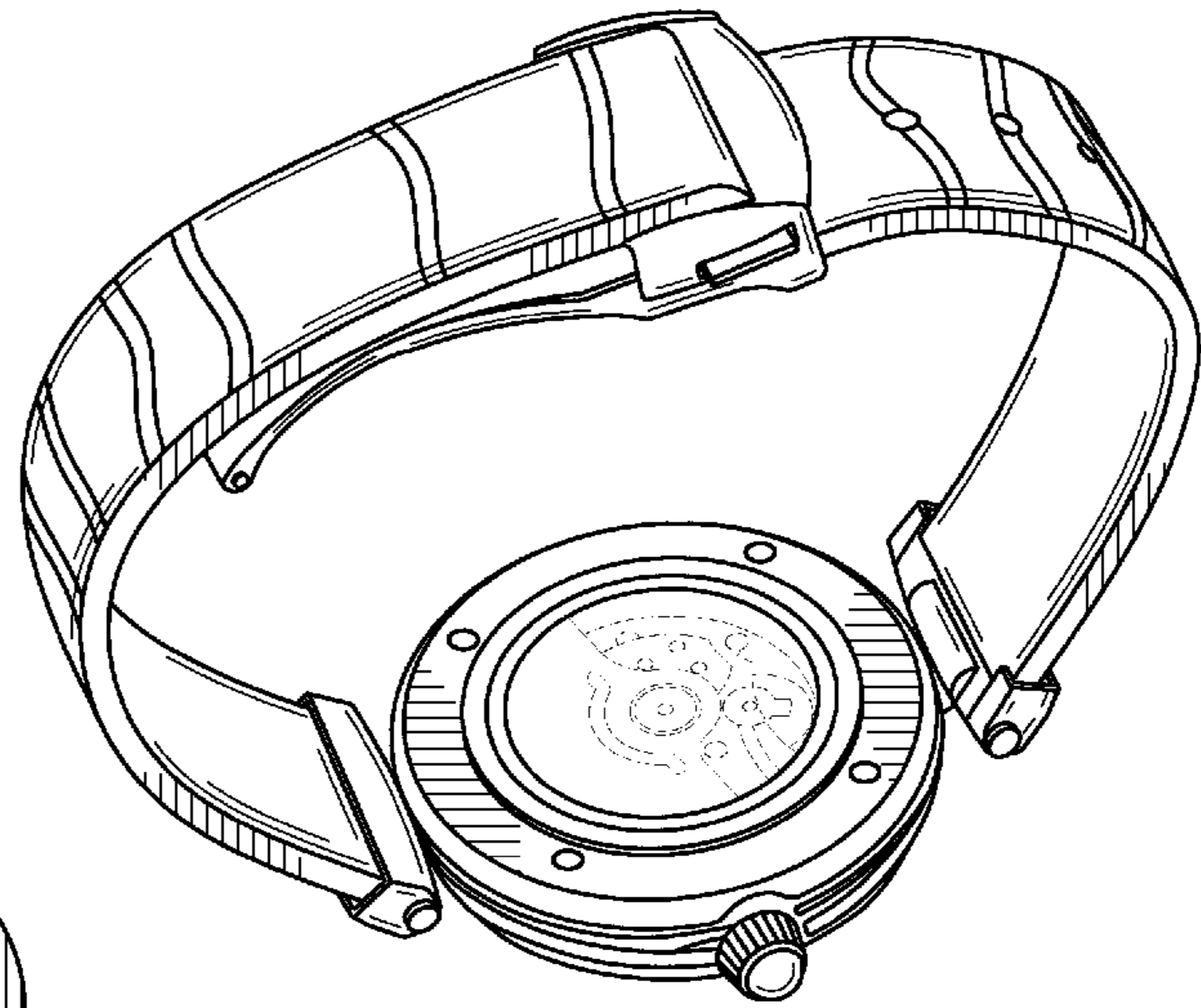


FIG. 8