



US00D617661S

(12) **United States Design Patent**
Nara et al.

(10) **Patent No.:** **US D617,661 S**
(45) **Date of Patent:** **** Jun. 15, 2010**

(54) **WRIST WATCH**

(75) Inventors: **Katsuhiro Nara**, Tokyo (JP); **Hayato Ikezu**, Tachikawa (JP)

(73) Assignee: **Casio Keisanki Kabushiki Kaisha**, Tokyo (JP)

(**) Term: **14 Years**

(21) Appl. No.: **29/355,940**

(22) Filed: **Feb. 17, 2010**

(30) **Foreign Application Priority Data**

Nov. 13, 2009 (JP) 2009-026633

(51) **LOC (9) Cl.** **10-02**

(52) **U.S. Cl.** **D10/31; D10/32**

(58) **Field of Classification Search** D10/30-39,
D10/122-132; 368/10, 278, 276, 281, 282,
368/285, 319, 308, 288, 80, 223, 228, 232;
D14/138 R, 226, 240, 242, 140.1

See application file for complete search history.

(56) **References Cited**

U.S. PATENT DOCUMENTS

- 4,419,770 A * 12/1983 Yagi et al. 455/301
- D274,410 S * 6/1984 Suzuki D10/39
- D295,841 S * 5/1988 Kano D10/39
- 5,218,577 A * 6/1993 Seager 368/10
- 5,274,613 A * 12/1993 Seager 368/13
- D356,043 S * 3/1995 Iwamoto D10/39
- D359,000 S * 6/1995 Yamamoto D10/31
- 5,467,324 A * 11/1995 Houlihan 368/10
- D383,073 S * 9/1997 Miller D10/31
- 5,663,932 A * 9/1997 Weng 368/10
- D400,110 S * 10/1998 Polenberg D10/39
- D404,316 S * 1/1999 Azegami et al. D10/30
- D441,665 S * 5/2001 Giardiello D10/32
- D452,170 S * 12/2001 Tomimatsu D10/30
- D460,430 S * 7/2002 Wada et al. D14/138 R
- 6,477,117 B1 * 11/2002 Narayanaswami et al. .. 368/251
- D466,487 S * 12/2002 Wada et al. D14/138 R
- D466,488 S * 12/2002 Wada et al. D14/138 R

- D466,879 S * 12/2002 Wada et al. D14/138 R
- D488,391 S * 4/2004 Kume D10/32
- D489,346 S * 5/2004 Lowinger D14/138 R
- D492,658 S * 7/2004 Lowinger D14/138 R
- D496,590 S * 9/2004 Chung et al. D10/31
- D507,550 S * 7/2005 Kim et al. D14/138 R
- D508,031 S * 8/2005 Kim et al. D14/138 R
- 6,978,160 B2 * 12/2005 Hutchison et al. 455/573
- D543,192 S * 5/2007 Jung D14/138 R
- D550,101 S * 9/2007 Umebayashi et al. D10/32
- D552,572 S * 10/2007 Kim et al. D14/138 R
- D572,151 S * 7/2008 Fasciano D10/31
- D583,365 S * 12/2008 Suk et al. D14/240
- D586,682 S * 2/2009 Waldman D10/125
- D594,000 S * 6/2009 Yeon D14/226
- D598,432 S * 8/2009 Yeon D14/226
- 7,618,260 B2 * 11/2009 Daniel et al. 439/37

(Continued)

Primary Examiner—Lucy Lieberman

(74) *Attorney, Agent, or Firm*—Frishauf, Holtz, Goodman & Chick, P.C.

(57) **CLAIM**

The ornamental design for a wrist watch, as shown and described.

DESCRIPTION

FIG. 1 is a front, right side, top perspective view of a wrist watch showing our new design;

FIG. 2 is a front elevational view thereof;

FIG. 3 is a rear elevational view thereof;

FIG. 4 is a left side view thereof;

FIG. 5 is a right side view thereof;

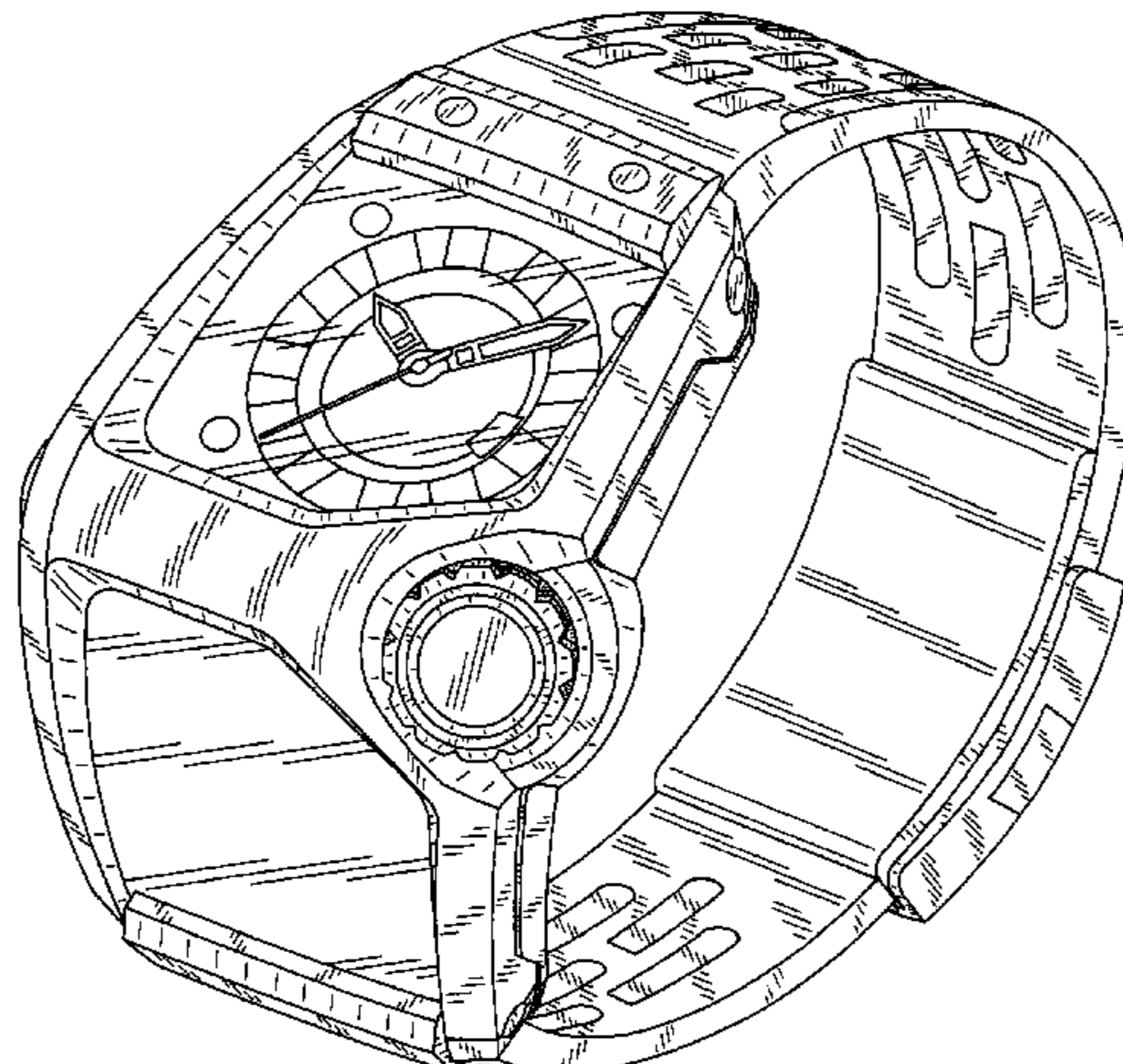
FIG. 6 is a top plan view thereof;

FIG. 7 is a bottom plan view thereof; and,

FIG. 8 is a reference perspective view thereof, showing a usage way of this article.

The portions in broken lines are shown for illustrative purposes only and form no part of the claimed design.

1 Claim, 8 Drawing Sheets



US D617,661 S

Page 2

U.S. PATENT DOCUMENTS	2002/0105859 A1*	8/2002	Davidson et al.	368/13
D606,424 S *	12/2009	Inoue	D10/39	
2001/0036264 A1*	11/2001	Ito et al.	379/433.1	* cited by examiner

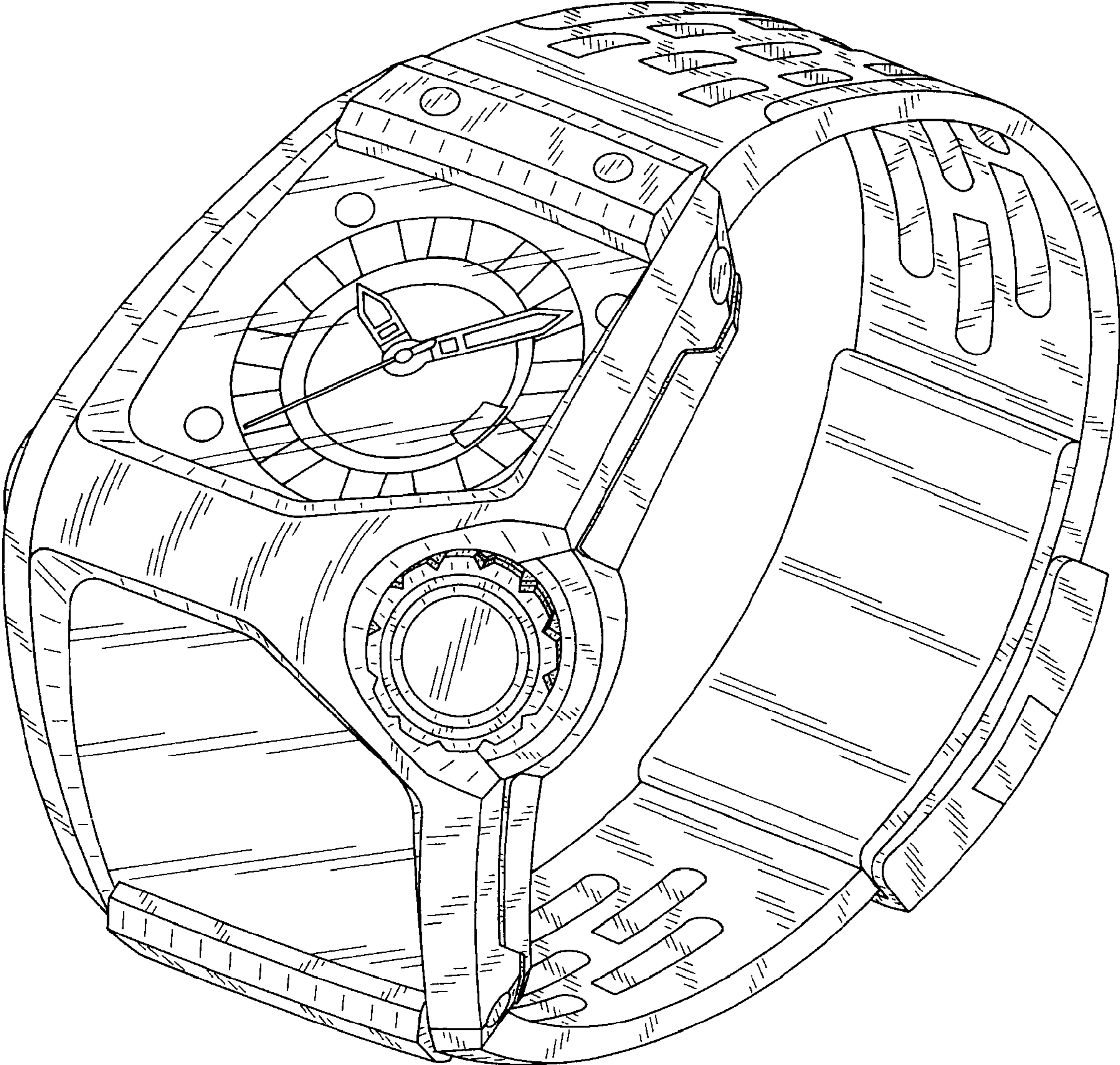


FIG. 1

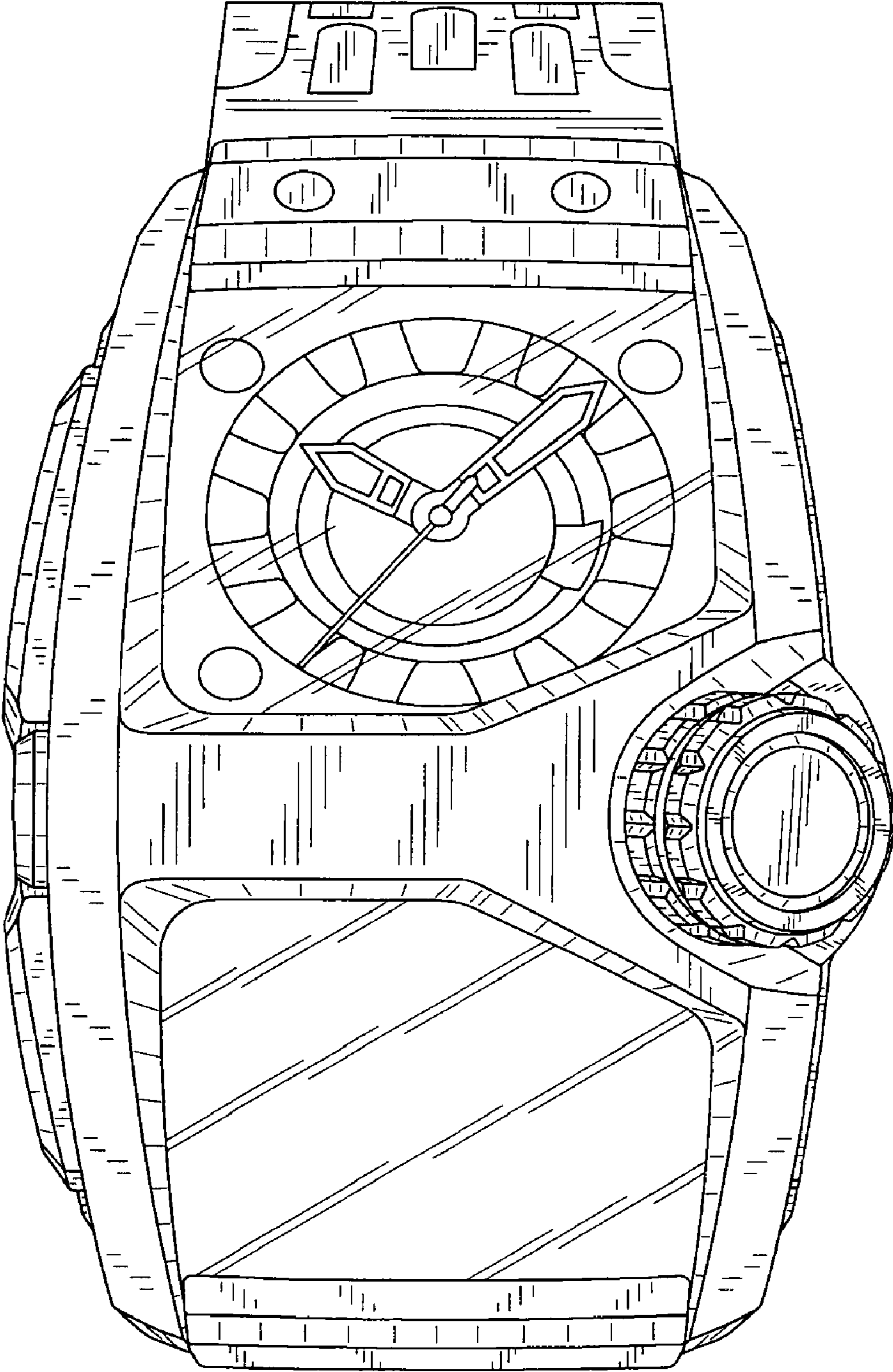


FIG. 2

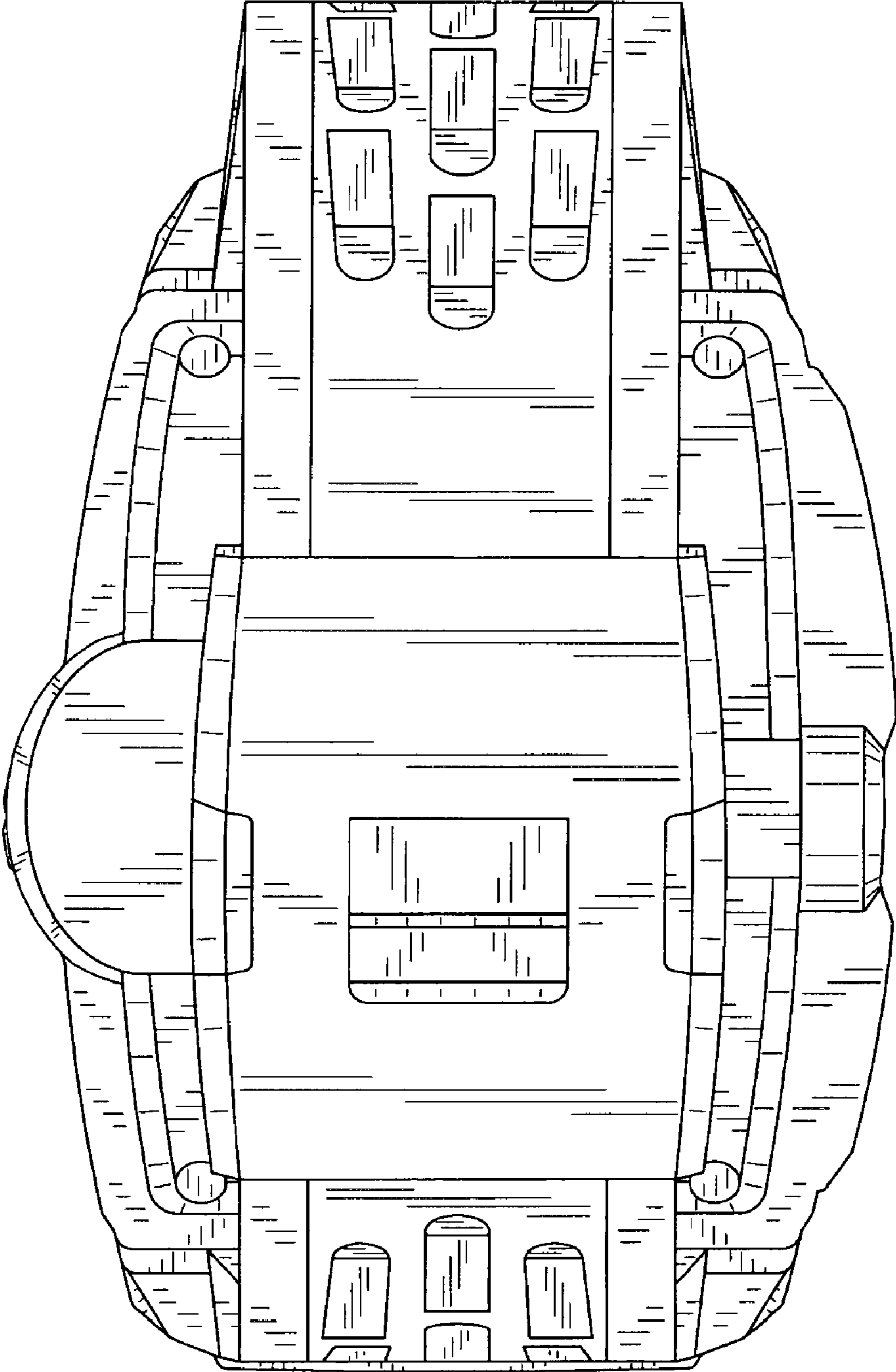


FIG. 3

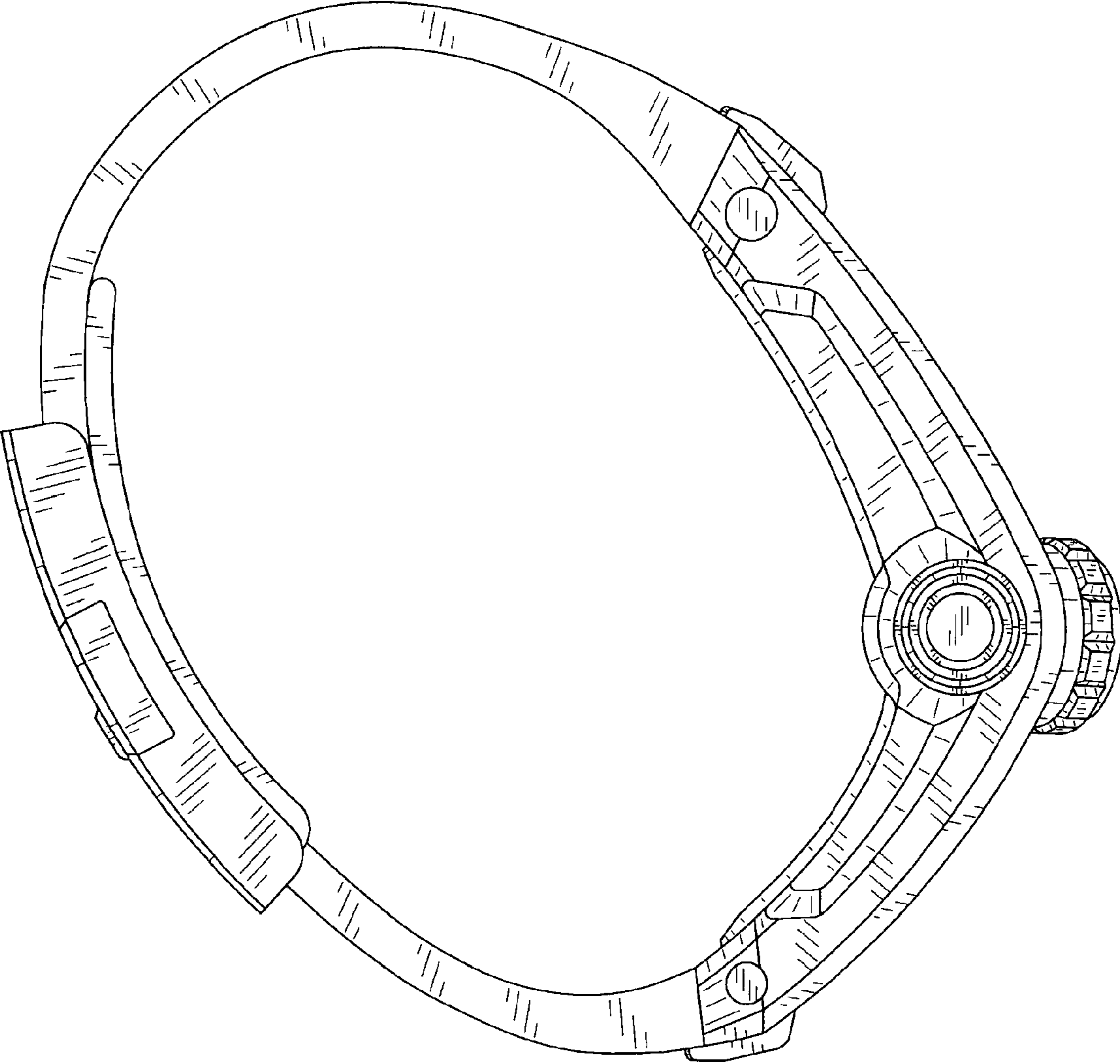


FIG. 4

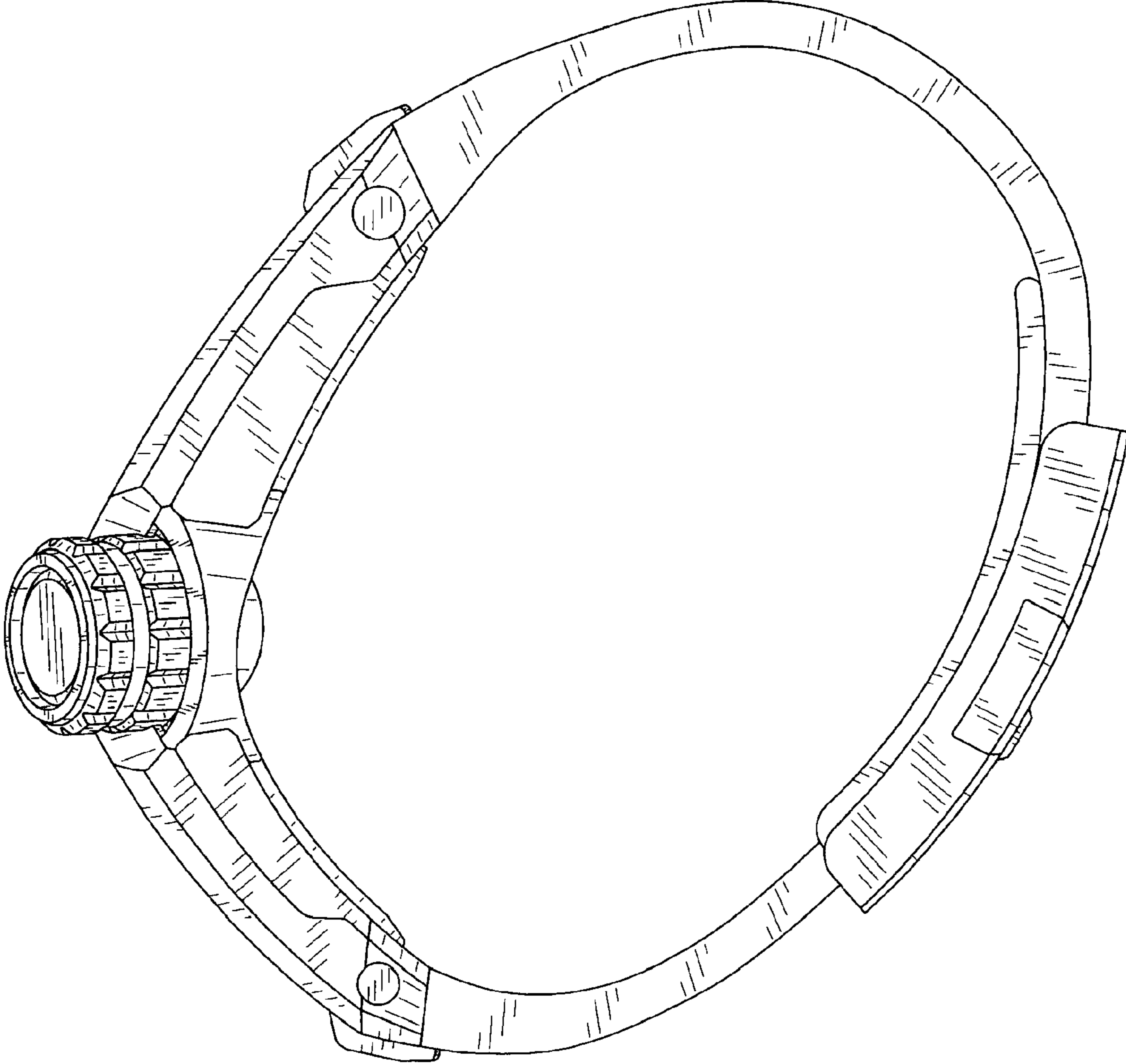


FIG. 5

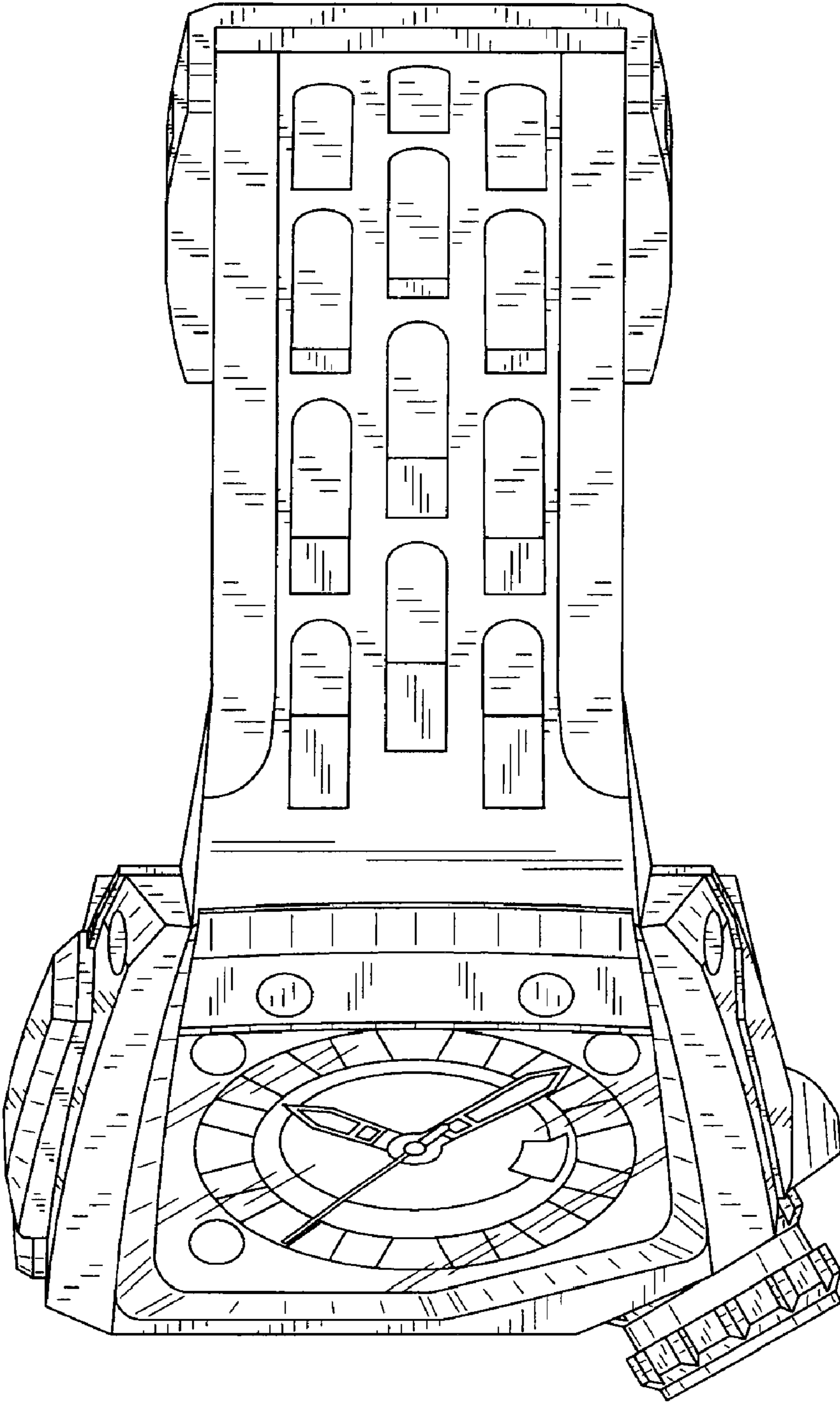


FIG. 6

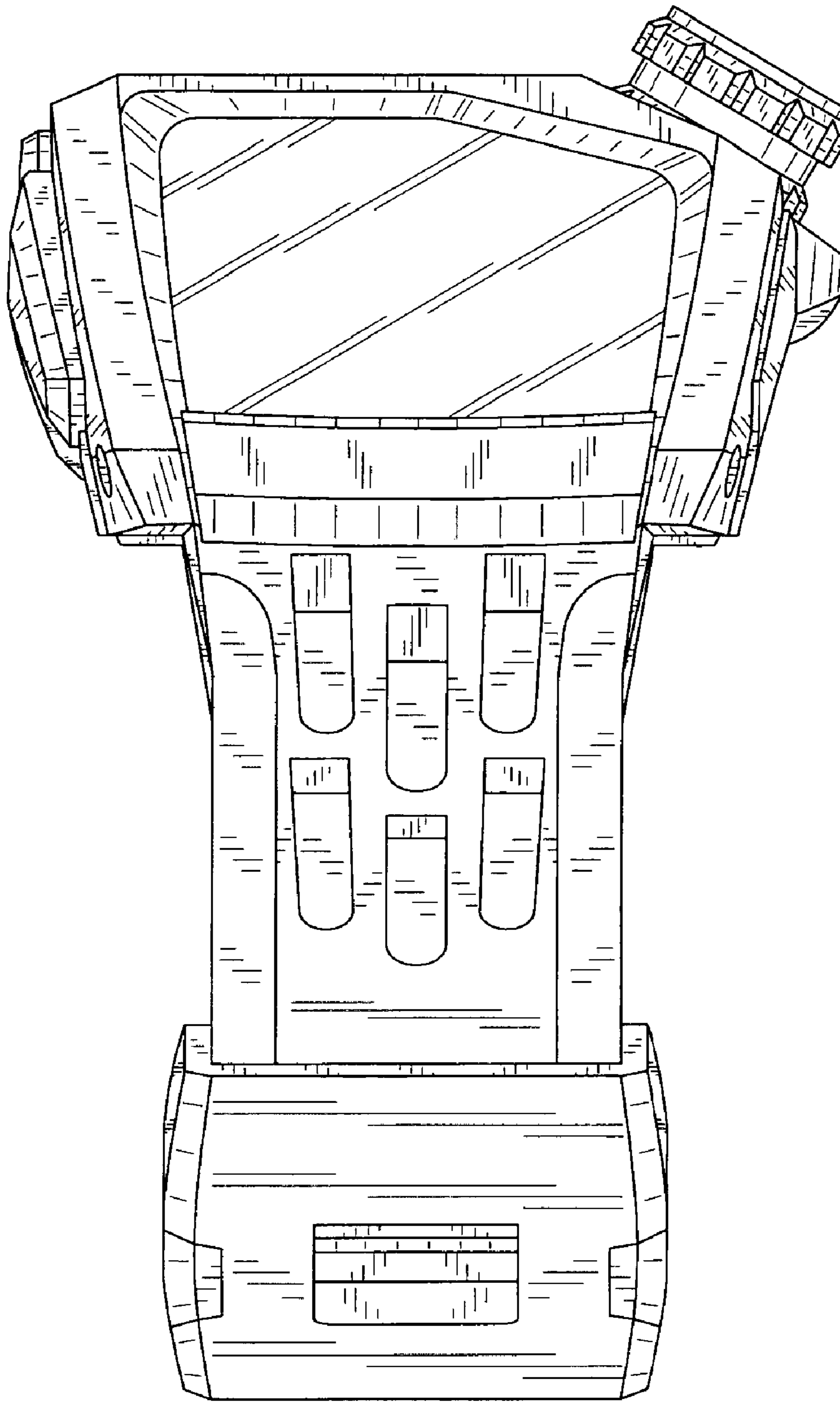


FIG. 7

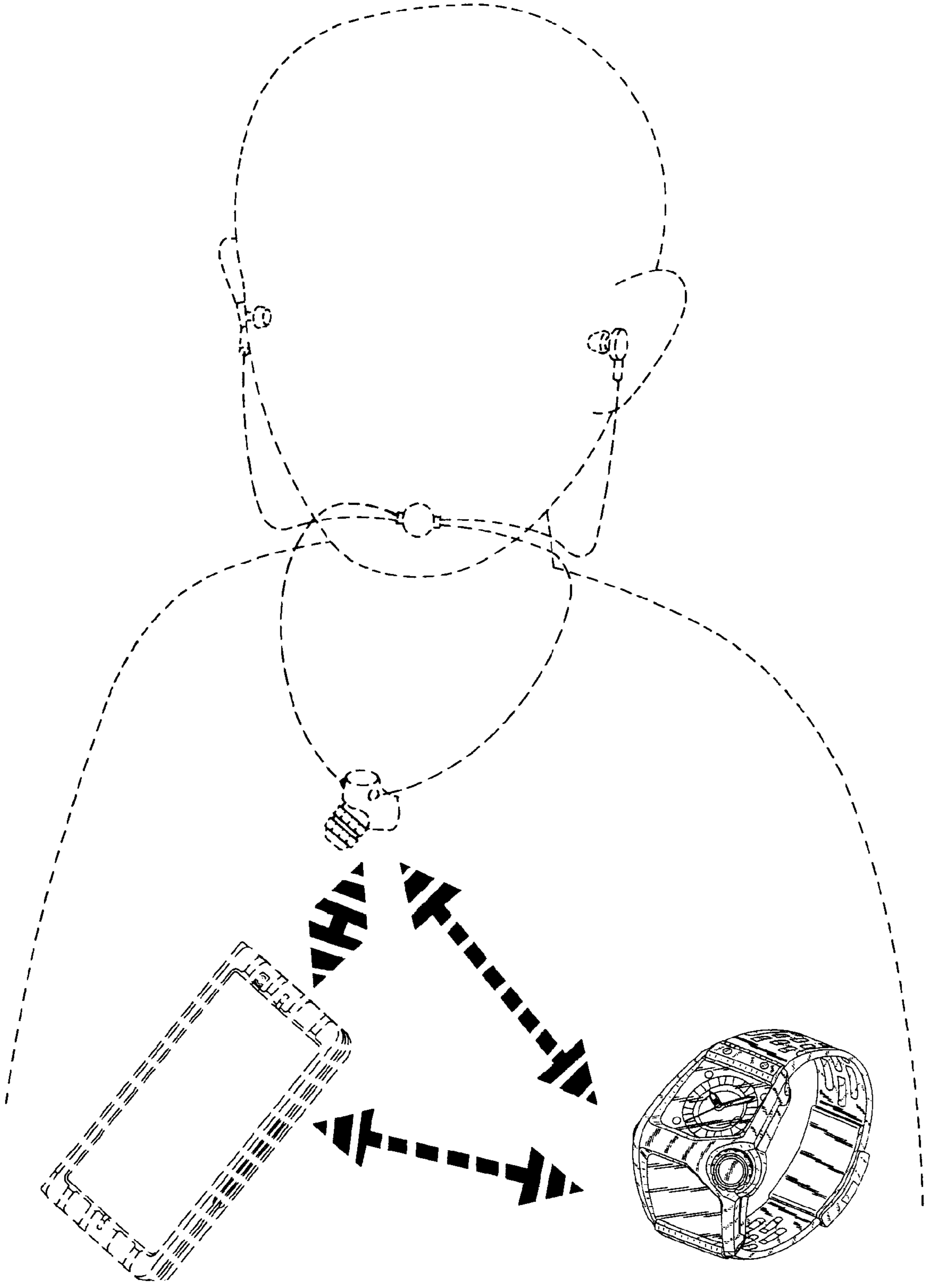


FIG. 8