



US00D617653S

(12) **United States Design Patent**
Thumerel et al.

(10) **Patent No.:** **US D617,653 S**
(45) **Date of Patent:** **** Jun. 15, 2010**

(54) **SPRAY SAMPLE WITH CORD**

(75) Inventors: **Philippe Thumerel**, Rueil Malmaison (FR); **Jean-Marie Varret**, Friville Escarbotin (FR)

(73) Assignee: **Rexam Dispensing Systems**, Le Treport (FR)

(**) Term: **14 Years**

(21) Appl. No.: **29/321,161**

(22) Filed: **Jul. 11, 2008**

(51) **LOC (9) Cl.** **09-01**

(52) **U.S. Cl.** **D9/682**

(58) **Field of Classification Search** D9/500, D9/501, 503, 505, 549, 558, 682, 683, 690, D9/719; D24/110; D28/77, 99; 206/730, 206/732-733; 220/660, 669-673, 675
See application file for complete search history.

(56) **References Cited**

U.S. PATENT DOCUMENTS

D211,535 S * 6/1968 Florman D7/544
D253,722 S * 12/1979 Allen D24/224
D257,572 S * 12/1980 Wefler D3/208
5,277,340 A * 1/1994 Van Brocklin 222/321.7

D448,524 S * 9/2001 Colla D28/89
D469,122 S * 1/2003 Rosenbaum D19/36
D477,023 S * 7/2003 Rosenbaum D19/36
D499,545 S * 12/2004 Condiff D3/218
D511,690 S * 11/2005 Garcia et al. D9/682
D521,726 S * 5/2006 Tarantino D3/218

* cited by examiner

Primary Examiner—Ian Simmons

Assistant Examiner—Dana L Sipos

(74) *Attorney, Agent, or Firm*—Dickstein Shapiro LLP

(57) **CLAIM**

The ornamental design for spray sample with cord, as shown and described.

DESCRIPTION

FIG. 1 is a front view of spray sample with cord, showing the new design;

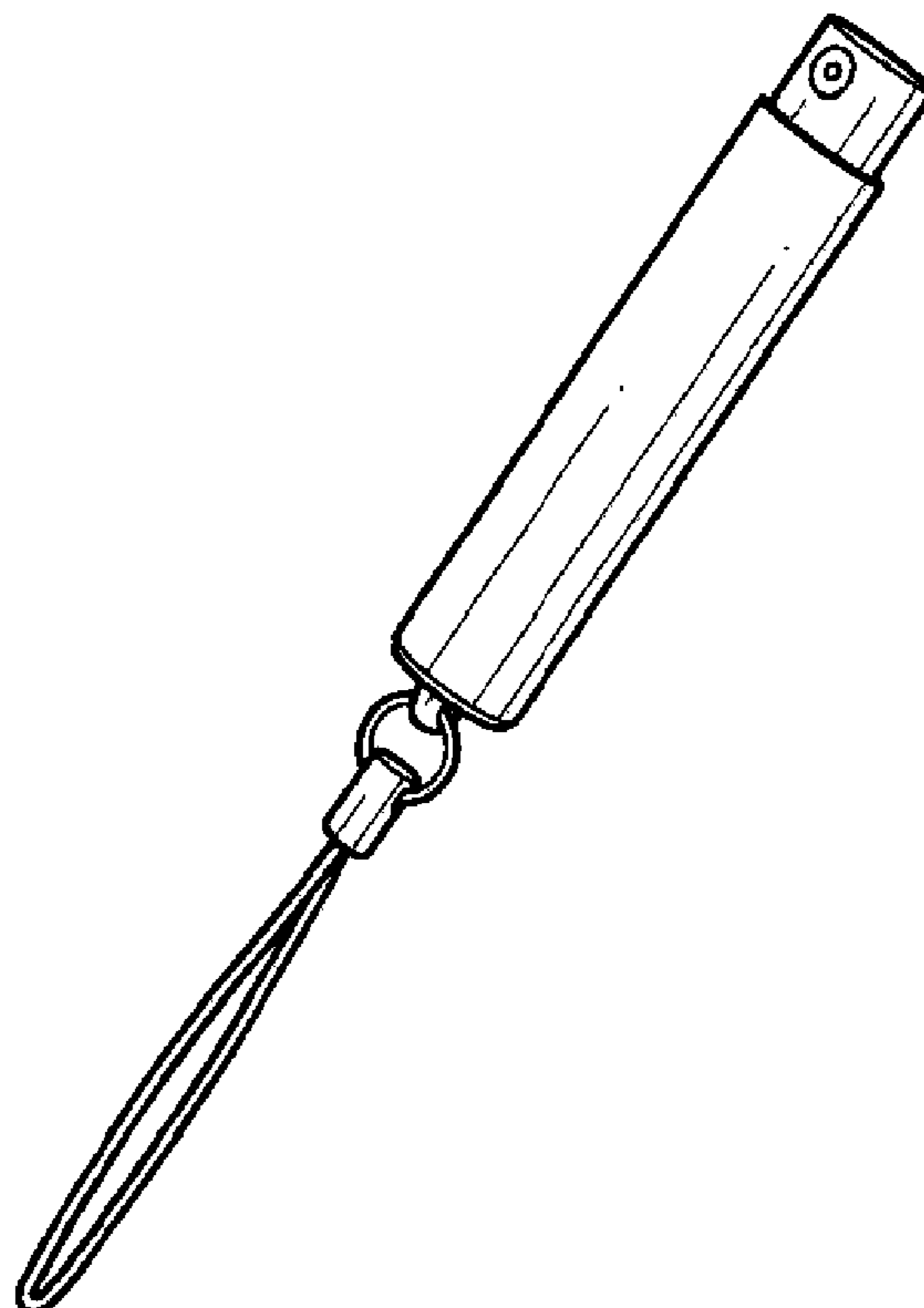
FIG. 2 is a left side view thereof, where the right side view is a mirror image of the left side view;

FIG. 3 is a perspective view thereof, showing portions of the front, left side and top thereof;

FIG. 4 is an enlarged bottom view thereof; and,

FIG. 5 is an enlarged top view thereof.

1 Claim, 2 Drawing Sheets



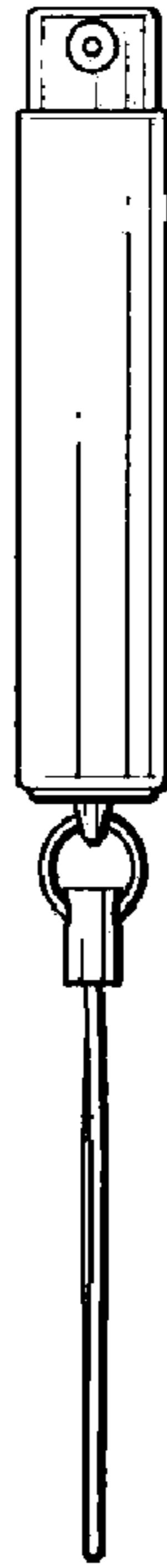


FIG. 1

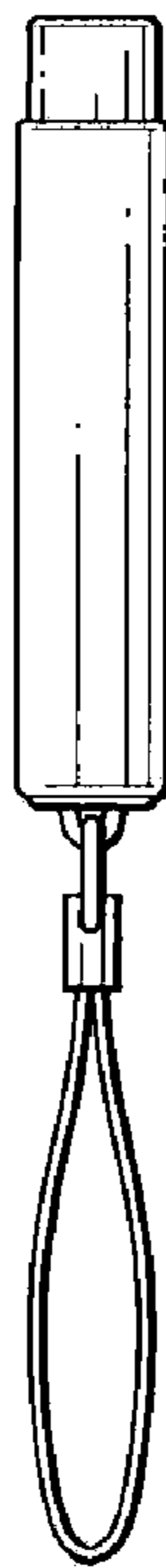


FIG. 2

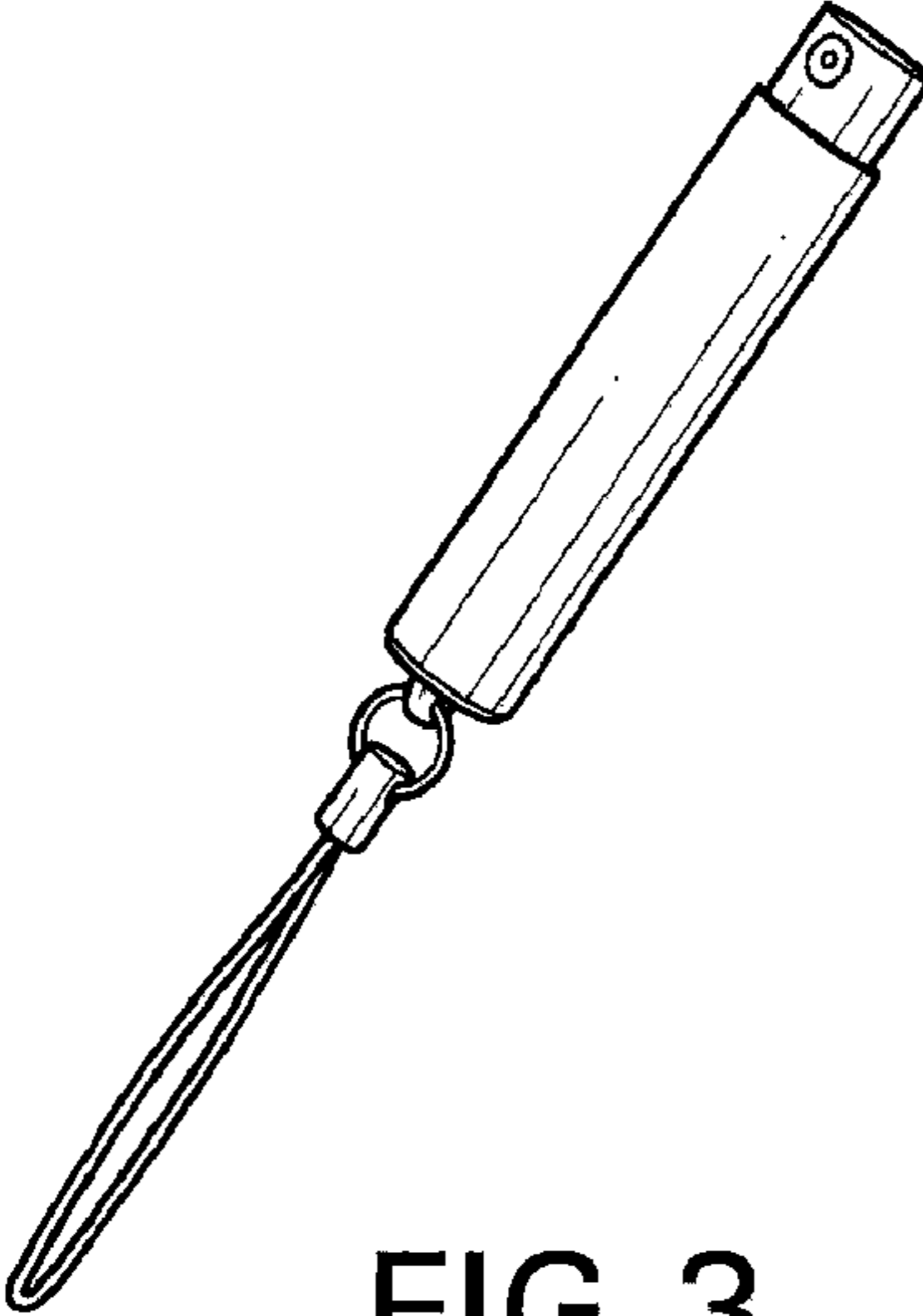


FIG. 3

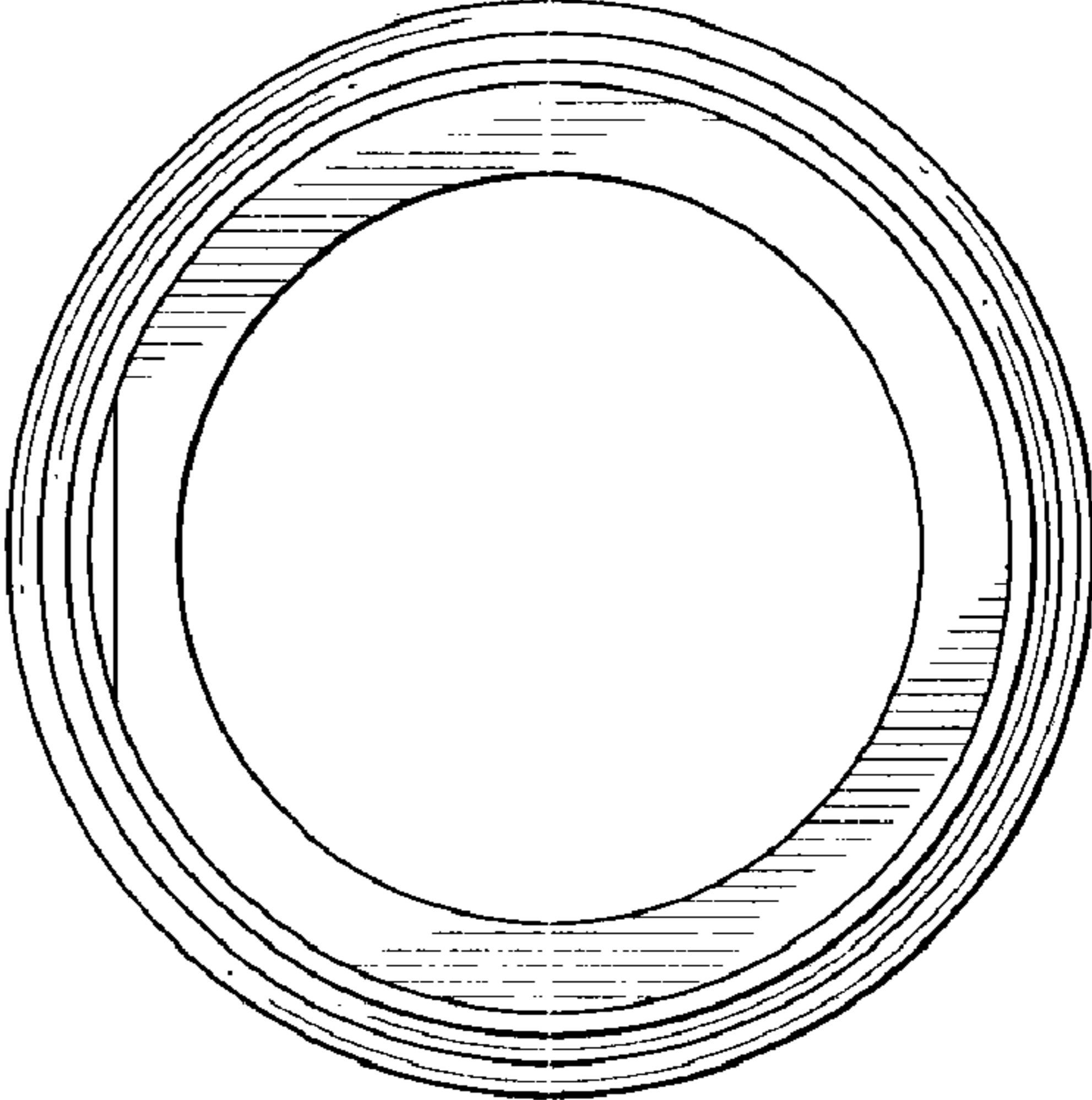


FIG. 5

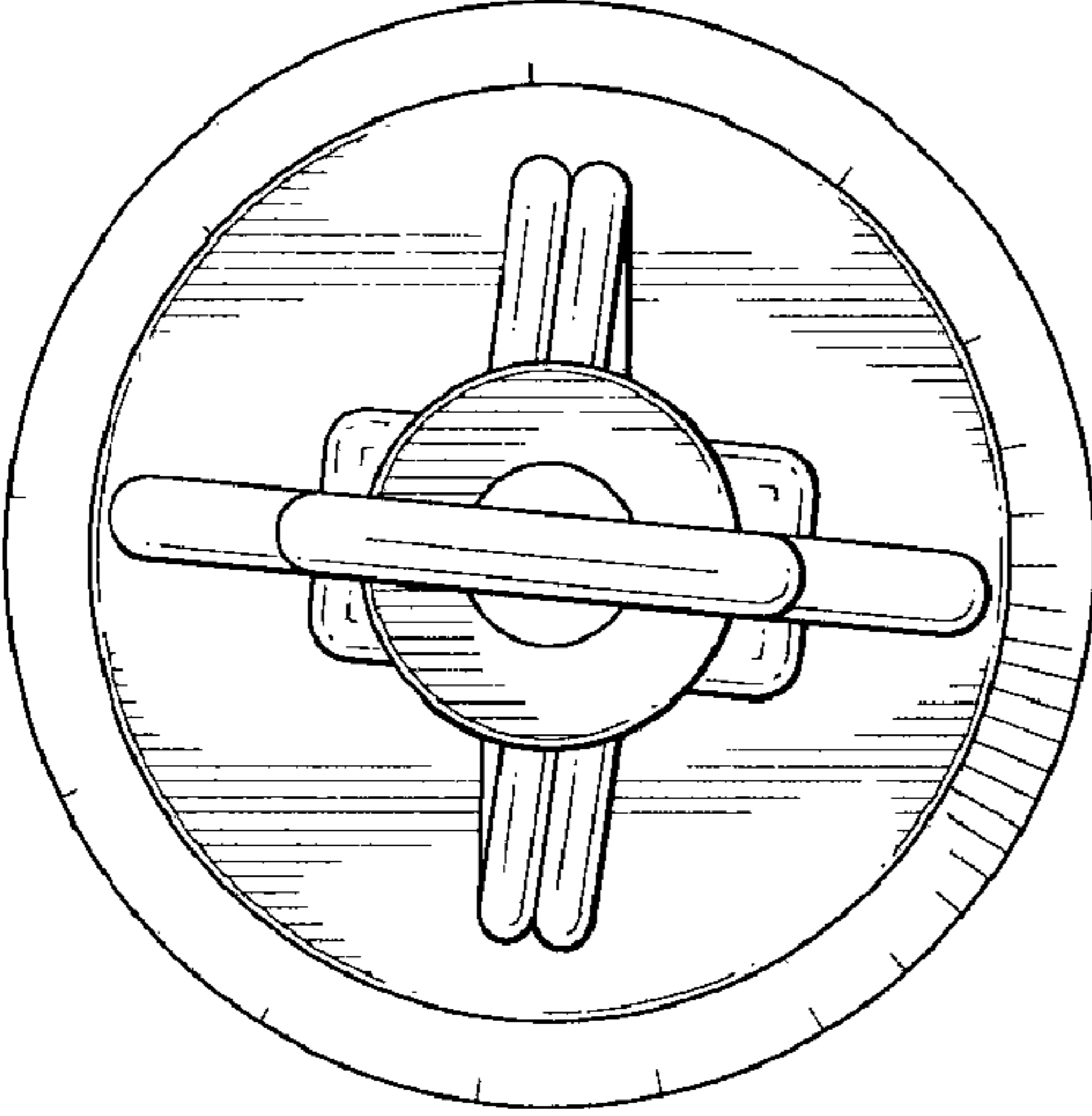


FIG. 4

UNITED STATES PATENT AND TRADEMARK OFFICE
CERTIFICATE OF CORRECTION

PATENT NO. : D617,653 S
APPLICATION NO. : 29/321161
DATED : June 15, 2010
INVENTOR(S) : Philippe Thumerel et al.

Page 1 of 1

It is certified that error appears in the above-identified patent and that said Letters Patent is hereby corrected as shown below:

On the title page, the following priority data should appear.

Item (30) Foreign Application Priority Data
Feb. 5, 2008 (EU) 000872437-0001

Signed and Sealed this
Twelfth Day of April, 2011



David J. Kappos
Director of the United States Patent and Trademark Office