



US00D617648S

(12) **United States Design Patent**
Puglisi

(10) **Patent No.:** **US D617,648 S**
(45) **Date of Patent:** **** Jun. 15, 2010**

(54) **CONTAINER**

(75) Inventor: **Marc Puglisi**, Essex County, NJ (US)

(73) Assignee: **Ben S. Loeb, Inc.**, Fairfield, NJ (US)

(**) Term: **14 Years**

(21) Appl. No.: **29/316,041**

(22) Filed: **Aug. 18, 2009**

(51) **LOC (9) Cl.** **09-01**

(52) **U.S. Cl.** **D9/623; D9/631**

(58) **Field of Classification Search** D9/600,
D9/614, 616-628, 631, 516; D3/271-271.3;
D7/514-517, 520; D21/621, 623, 635; 206/457-458,
206/527; 215/400; 220/890

See application file for complete search history.

(56) **References Cited**

U.S. PATENT DOCUMENTS

| | | | | |
|--------------|---------|----------------|-------|--------|
| D102,172 S * | 12/1936 | Schiaparelli | | D9/621 |
| D143,837 S * | 2/1946 | Lewis | | D9/631 |
| D201,395 S * | 6/1965 | Schmidt | | D9/668 |
| D365,750 S * | 1/1996 | Gouveia et al. | | D9/623 |
| D383,384 S * | 9/1997 | Gaultier | | D9/621 |
| D400,431 S * | 11/1998 | Gouveia et al. | | D9/618 |
| D492,590 S * | 7/2004 | Rodriguez | | D9/618 |

* cited by examiner

Primary Examiner—Sandra Morris

(74) *Attorney, Agent, or Firm*—Howard C. Miskin; Gloria Tsui-Yip

(57) **CLAIM**

The ornamental design for a container, as shown and described.

DESCRIPTION

FIG. 1 is a perspective view of my new design;

FIG. 2 is a front elevational view thereof;

FIG. 3 is a rear elevational view thereof;

FIG. 4 is a left side view thereof;

FIG. 5 is a right side view thereof;

FIG. 6 is a top view thereof;

FIG. 7 is a bottom view thereof;

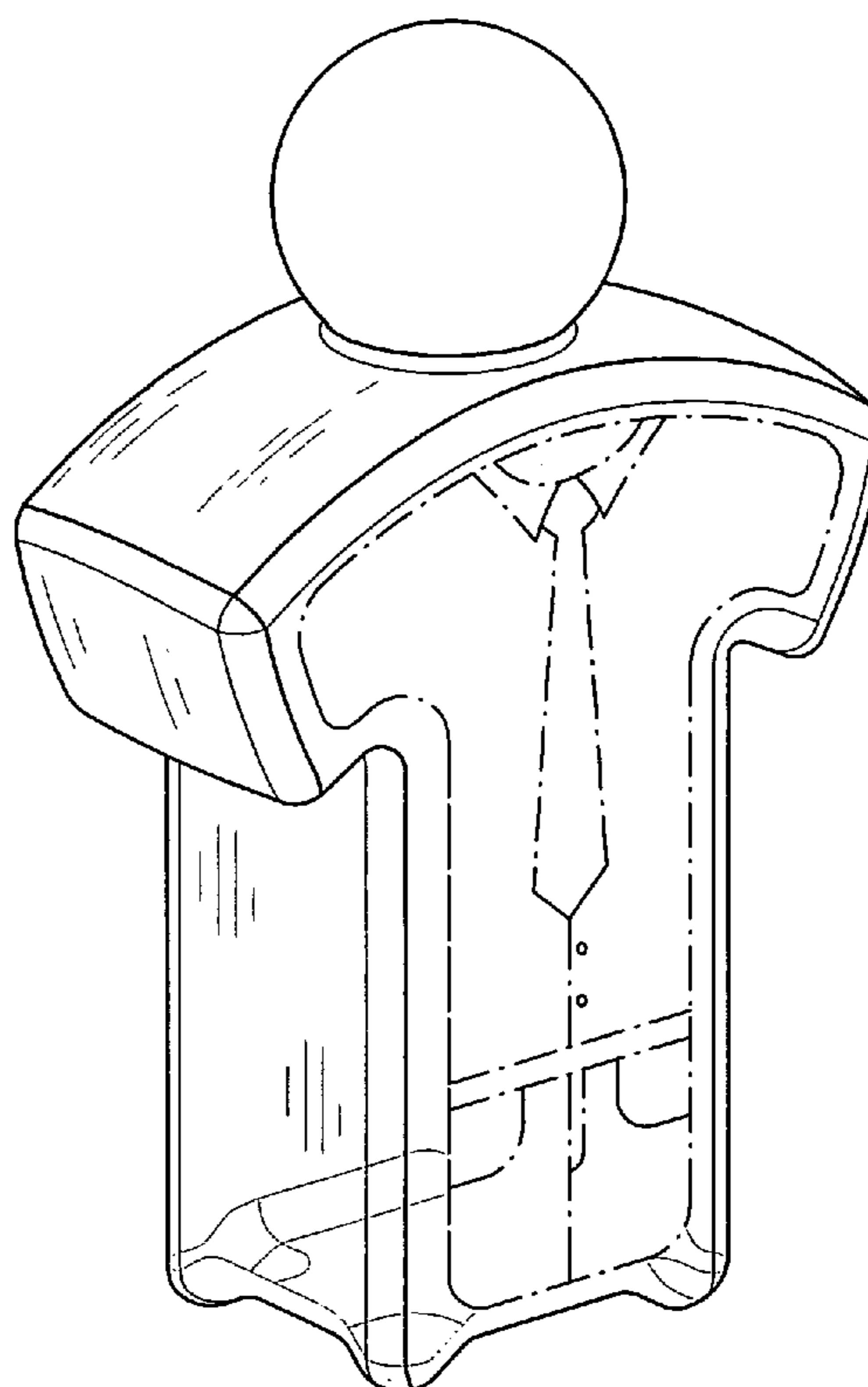
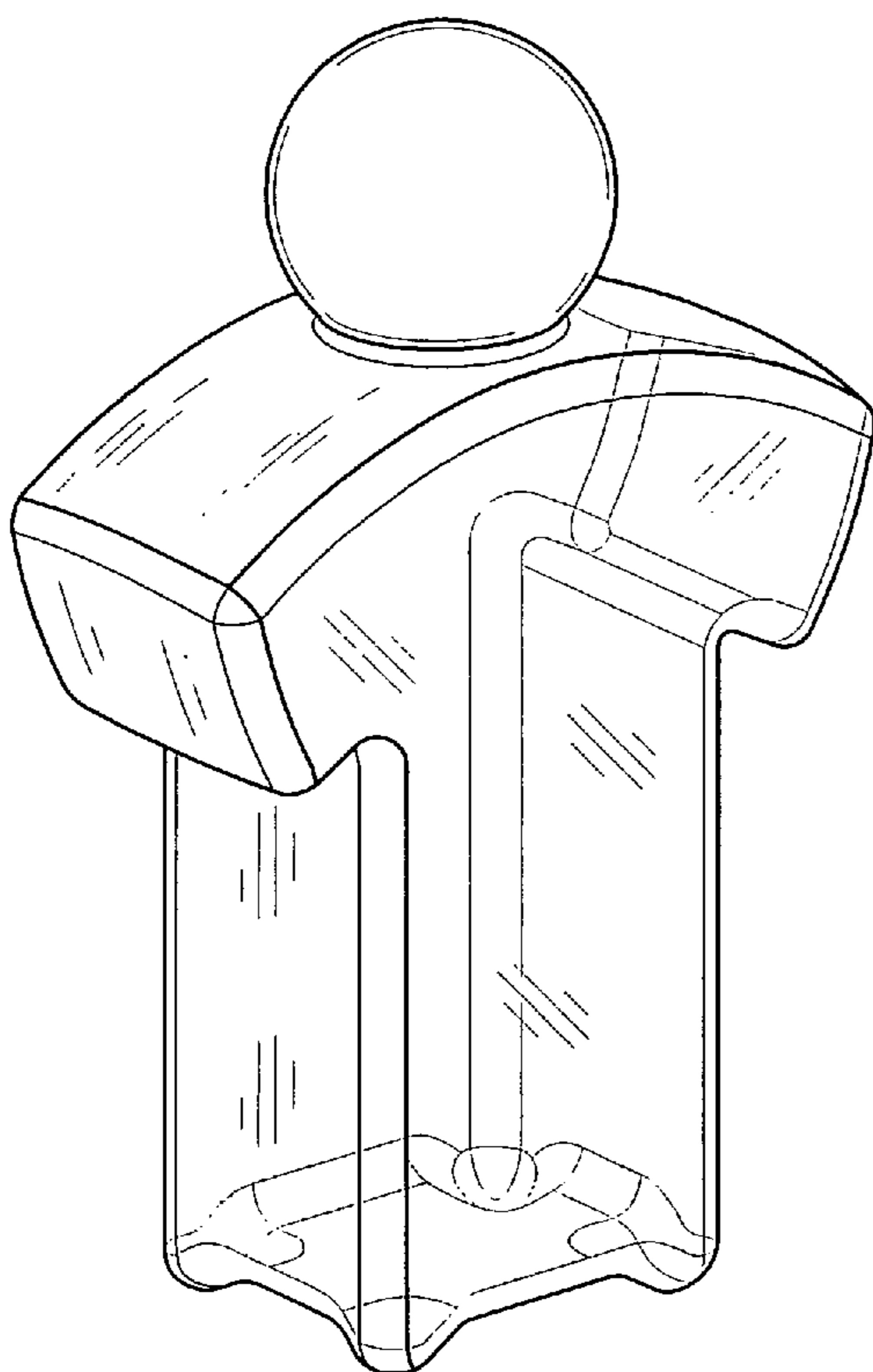
FIG. 8 is a perspective view of a second embodiment of my new design;

FIG. 9 is a perspective view of a third embodiment of my new design; and,

FIG. 10 is a perspective view of a fourth embodiment of my new design.

The pattern shown in dashed lines in FIGS. 8-10 illustrate environmental matter which form no part of the claimed design.

1 Claim, 8 Drawing Sheets



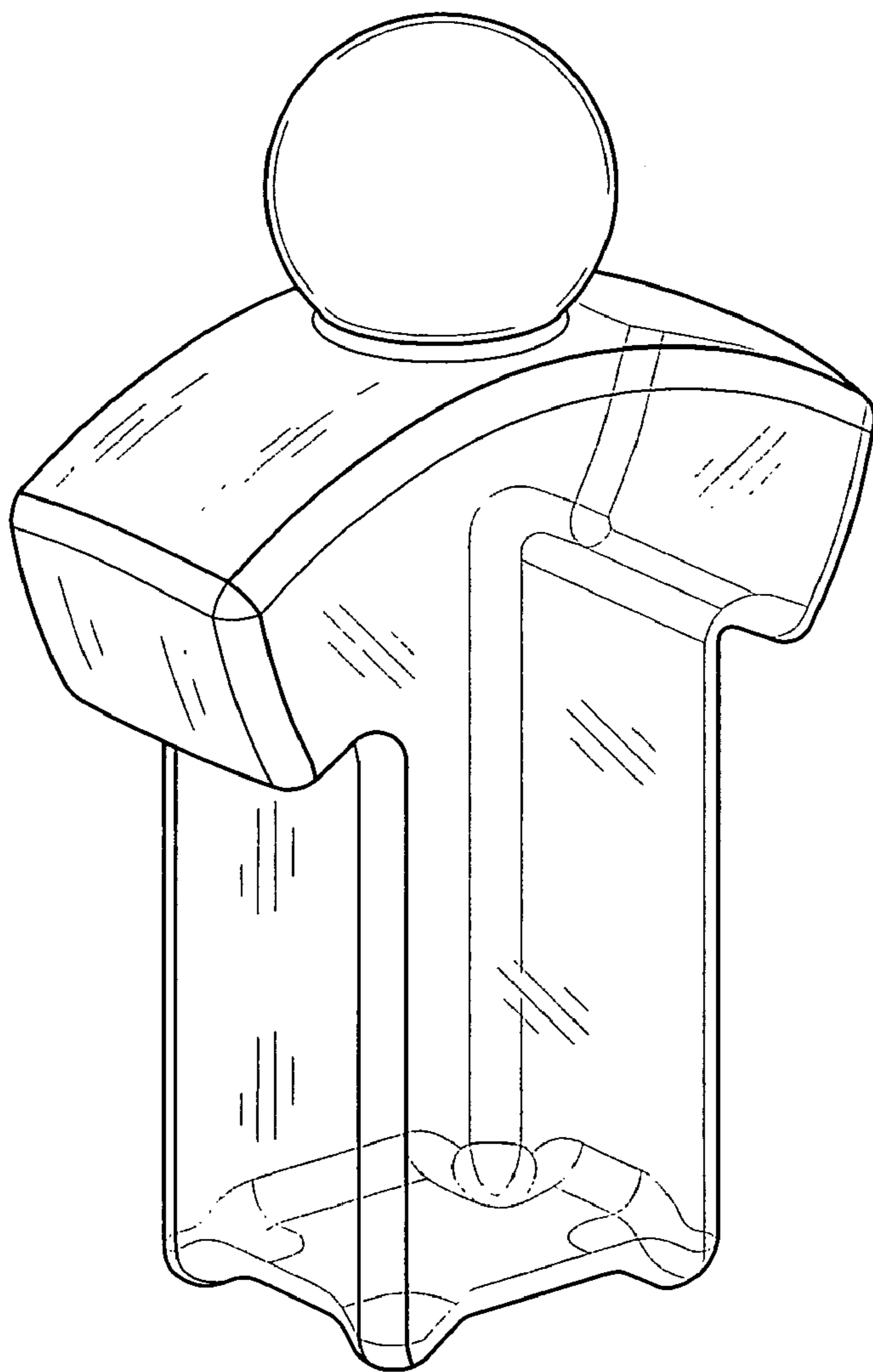


FIG. 1

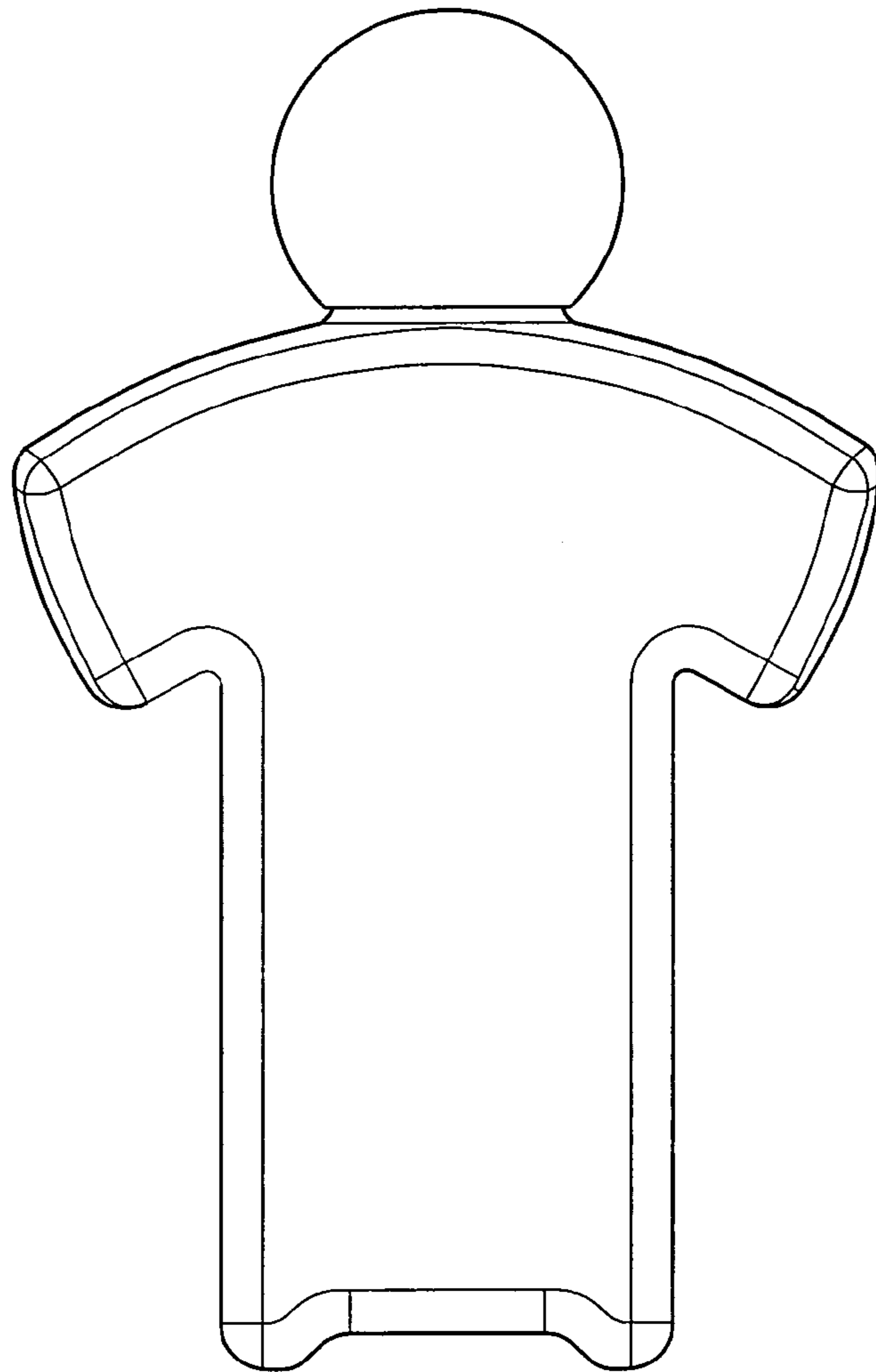


FIG. 2

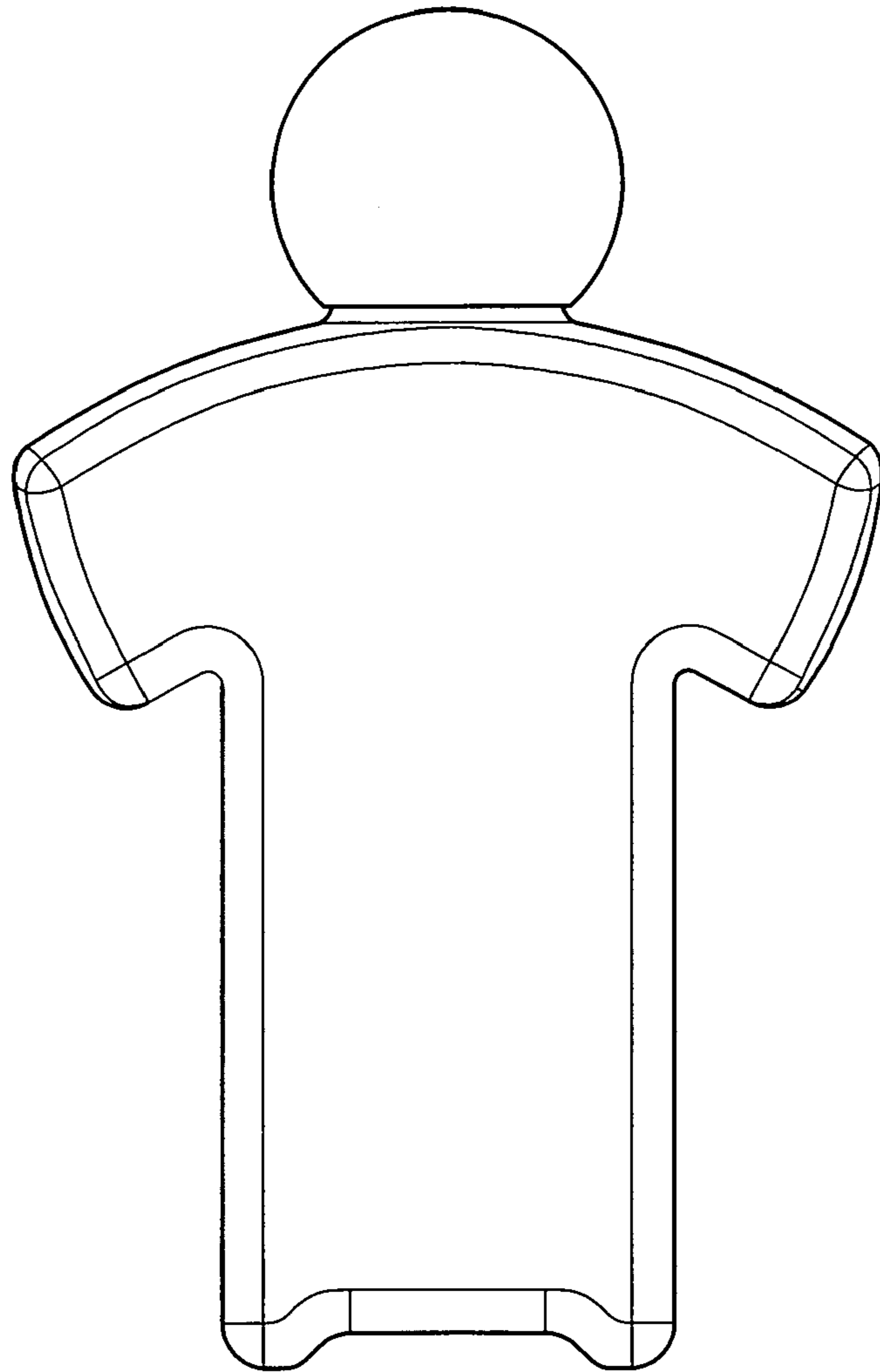


FIG. 3

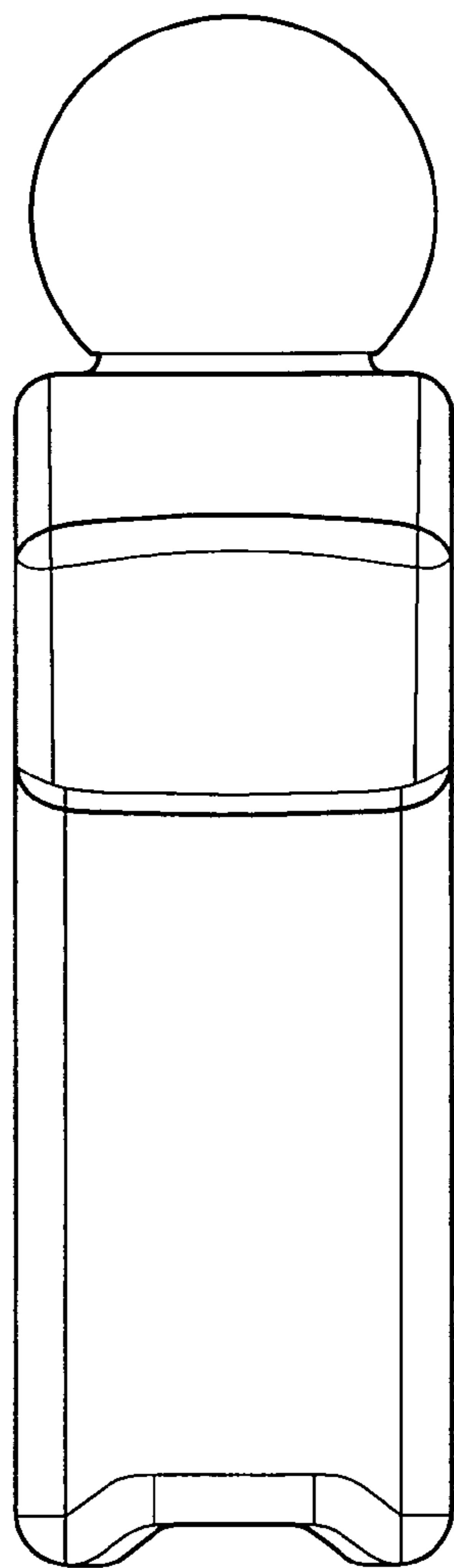


FIG. 4

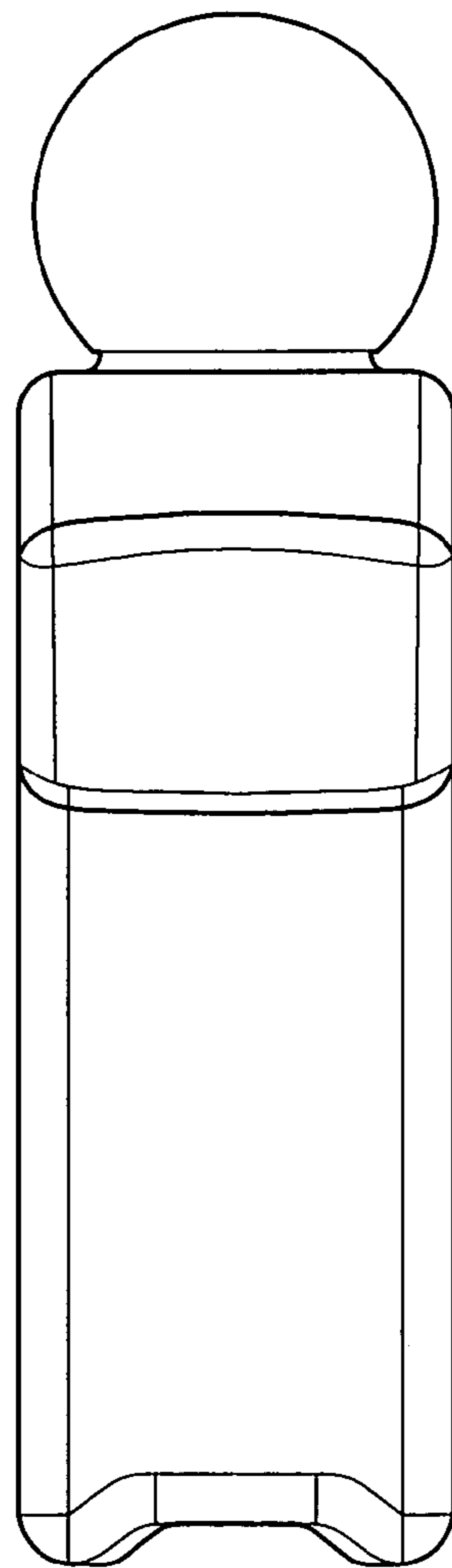


FIG. 5

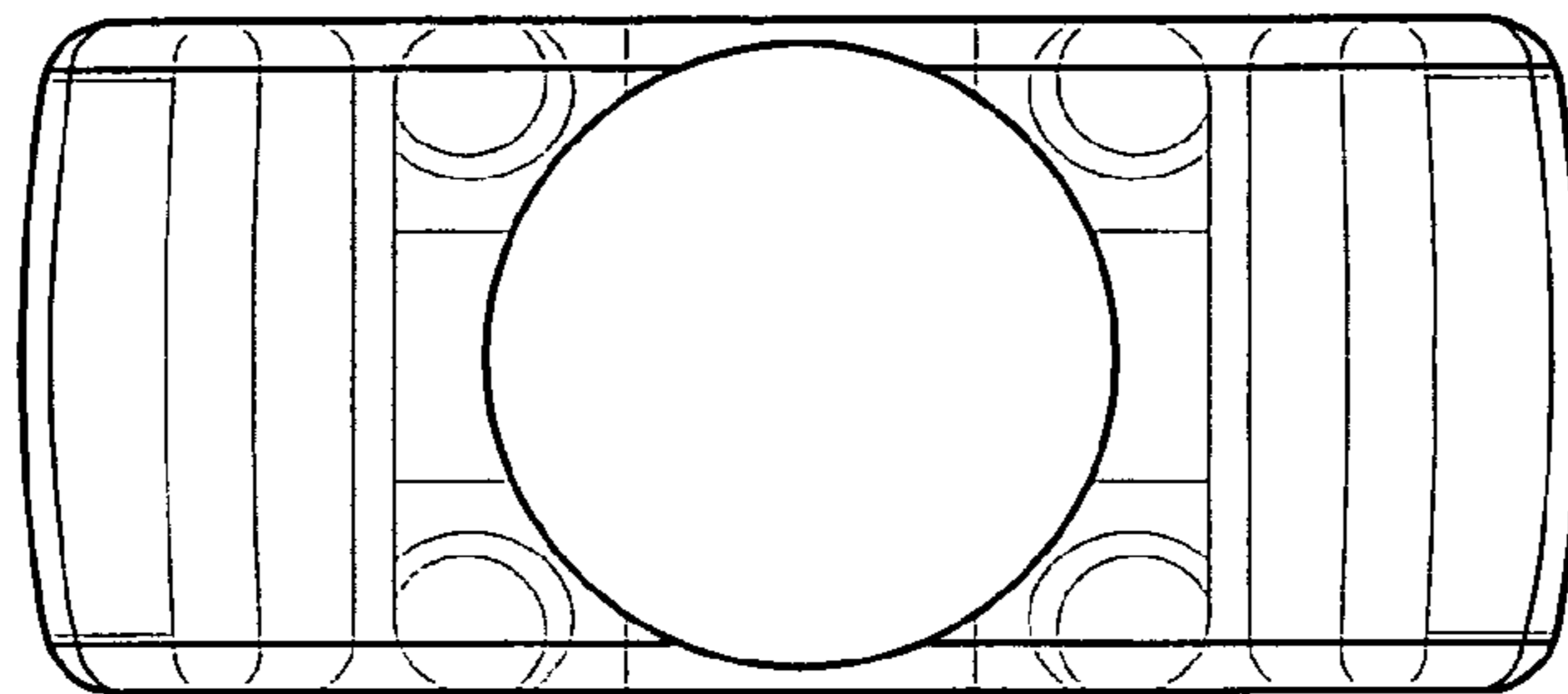


FIG. 6

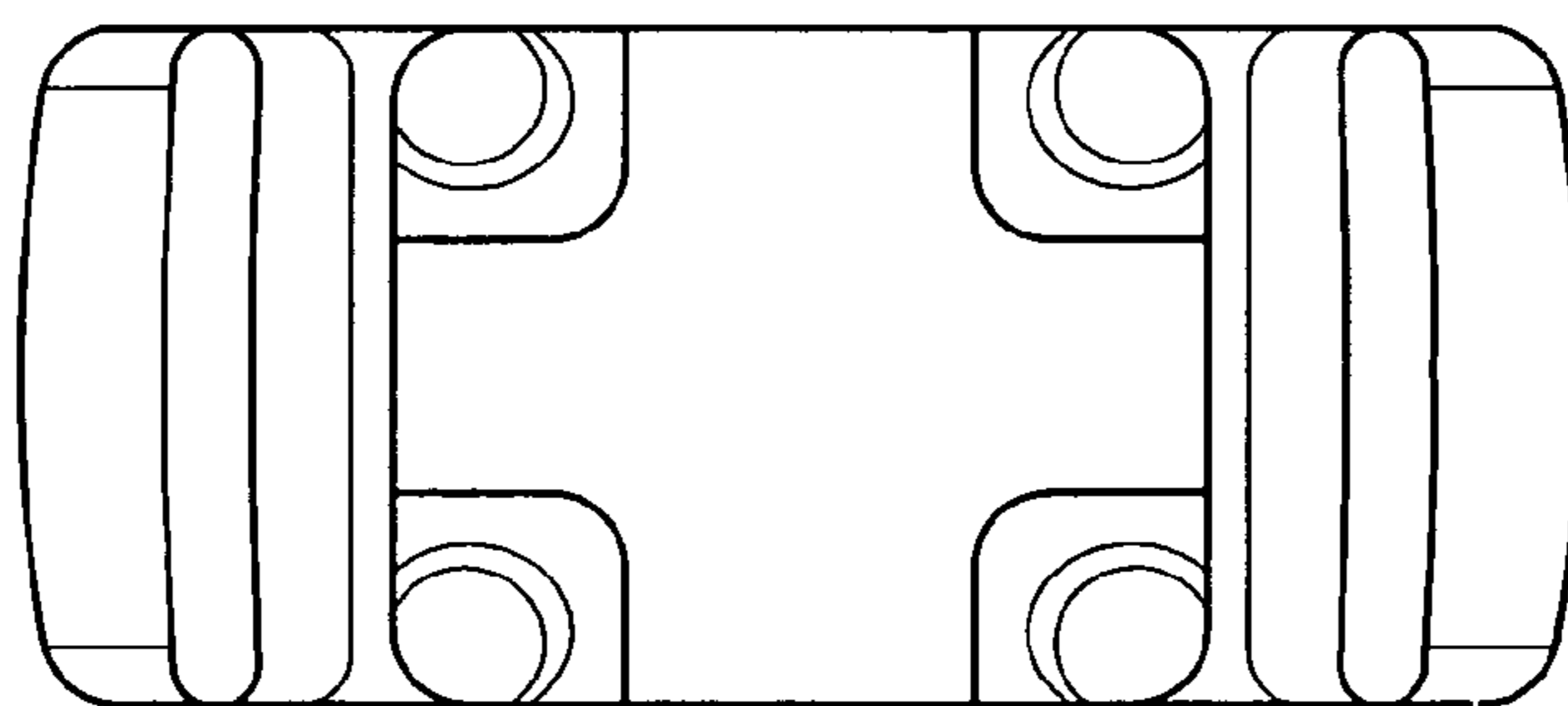


FIG. 7

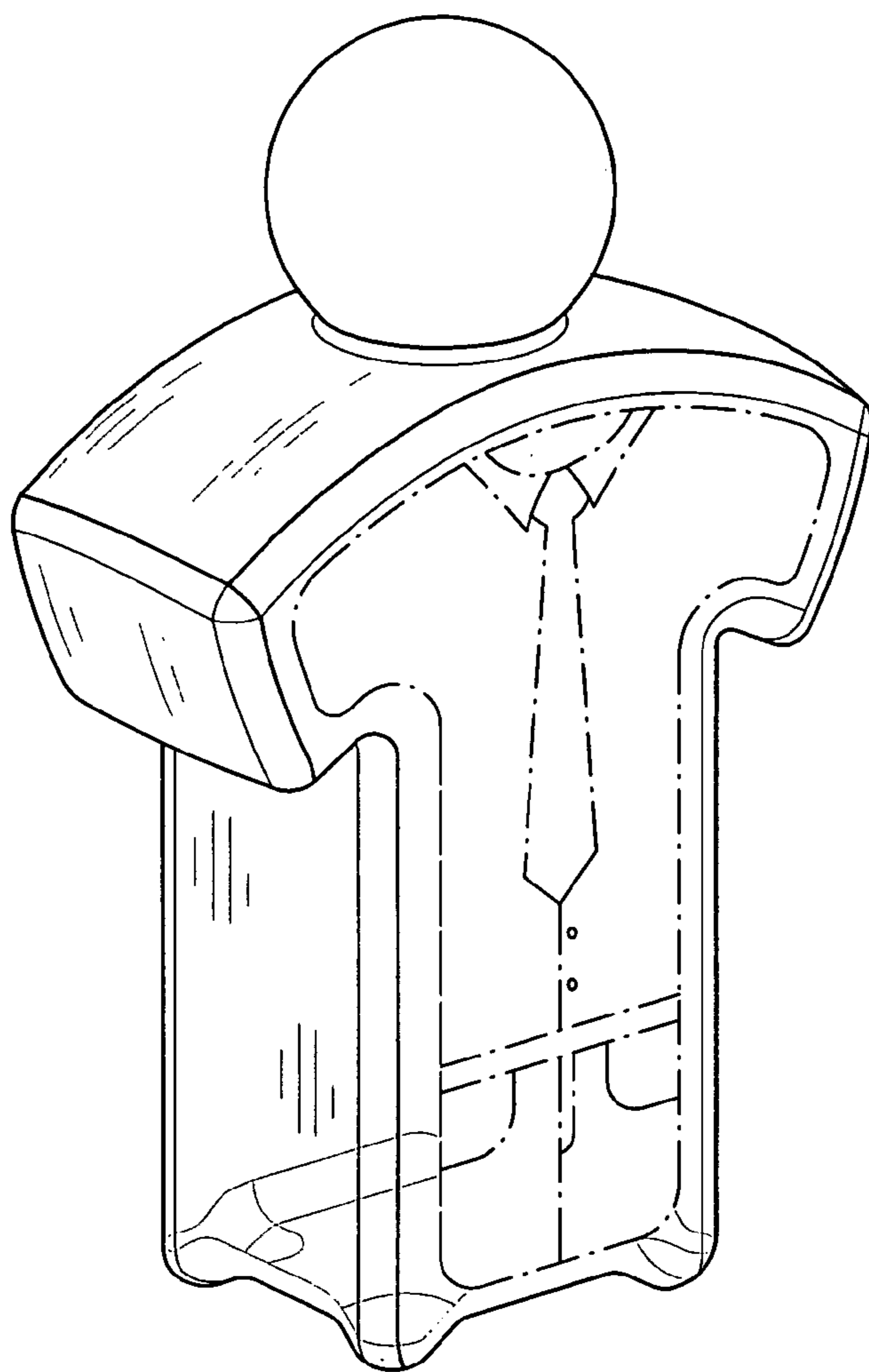


FIG. 8

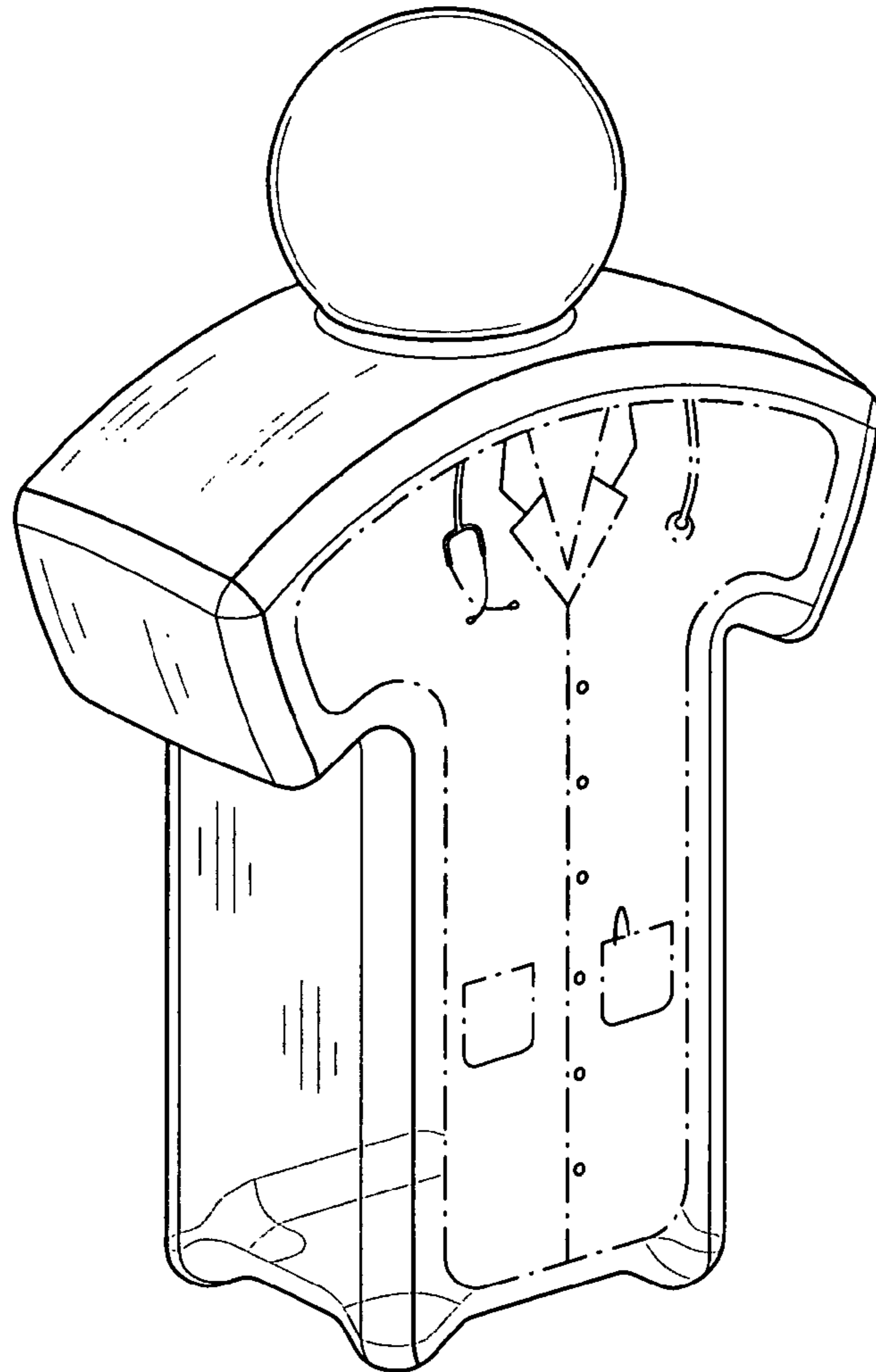


FIG. 9

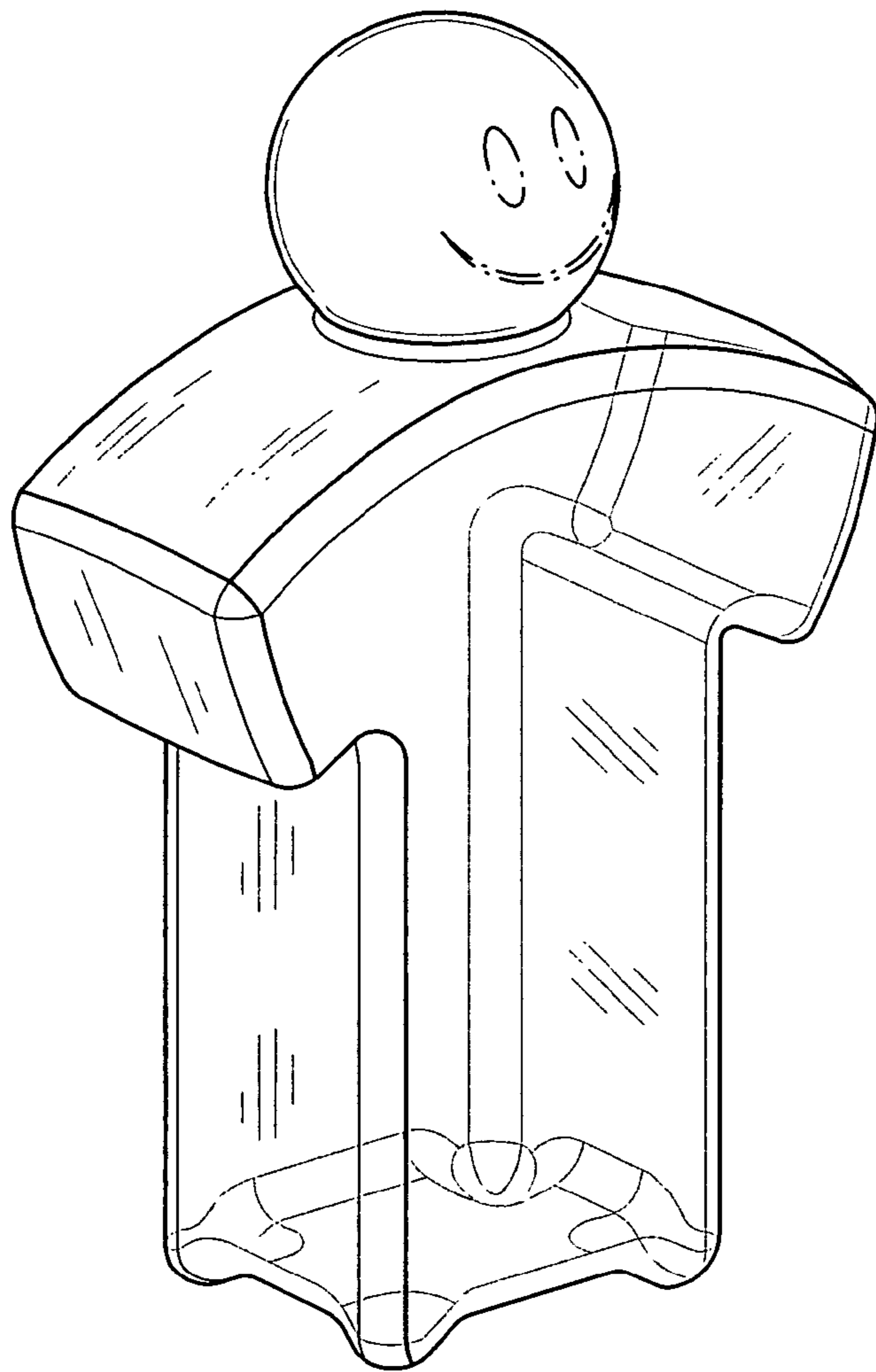


FIG. 10