



US00D617646S

(12) **United States Design Patent**
Kuzma et al.

(10) **Patent No.:** **US D617,646 S**
(45) **Date of Patent:** **** Jun. 15, 2010**

(54) **BOTTLE**
(75) Inventors: **Gene J. Kuzma**, Powell, OH (US);
Tristan O. Herstol, Columbus, OH (US)
(73) Assignee: **Bath & Body Works Brand**
Management, Inc., Reynoldsburg, OH
(US)
(**) Term: **14 Years**
(21) Appl. No.: **29/343,902**
(22) Filed: **Sep. 21, 2009**

D198,407 S 6/1964 Busch
D201,997 S 8/1965 Luedtke
D204,707 S 5/1966 Abbott
3,342,379 A 9/1967 Foley
D209,097 S 10/1967 Stehl
D211,509 S 6/1968 Vanderhyde
D213,355 S 2/1969 Kneapler
D213,421 S 3/1969 Leary
D214,554 S 7/1969 Oltman et al.
D217,439 S 5/1970 Platte
D219,366 S 12/1970 Lewis, Jr. et al.
D222,530 S 11/1971 Luedtke
D225,834 S 1/1973 Kneapler
D227,344 S 6/1973 Lerner
D234,077 S * 1/1975 Peterson D9/544
D234,682 S 4/1975 Quintal

(51) **LOC (9) Cl.** **09-01**
(52) **U.S. Cl.** **D9/522; D9/565; D9/575**
(58) **Field of Classification Search** D9/516,
D9/521-522, 529-530, 541-544, 549, 552,
D9/563, 565, 571-575; 215/382-384; 220/660,
220/662, 669, 675
See application file for complete search history.

(Continued)
Primary Examiner—Carol Rademaker
(74) *Attorney, Agent, or Firm*—Colucci & Umans Notaro,
Michalos & Zaccaria P.C.

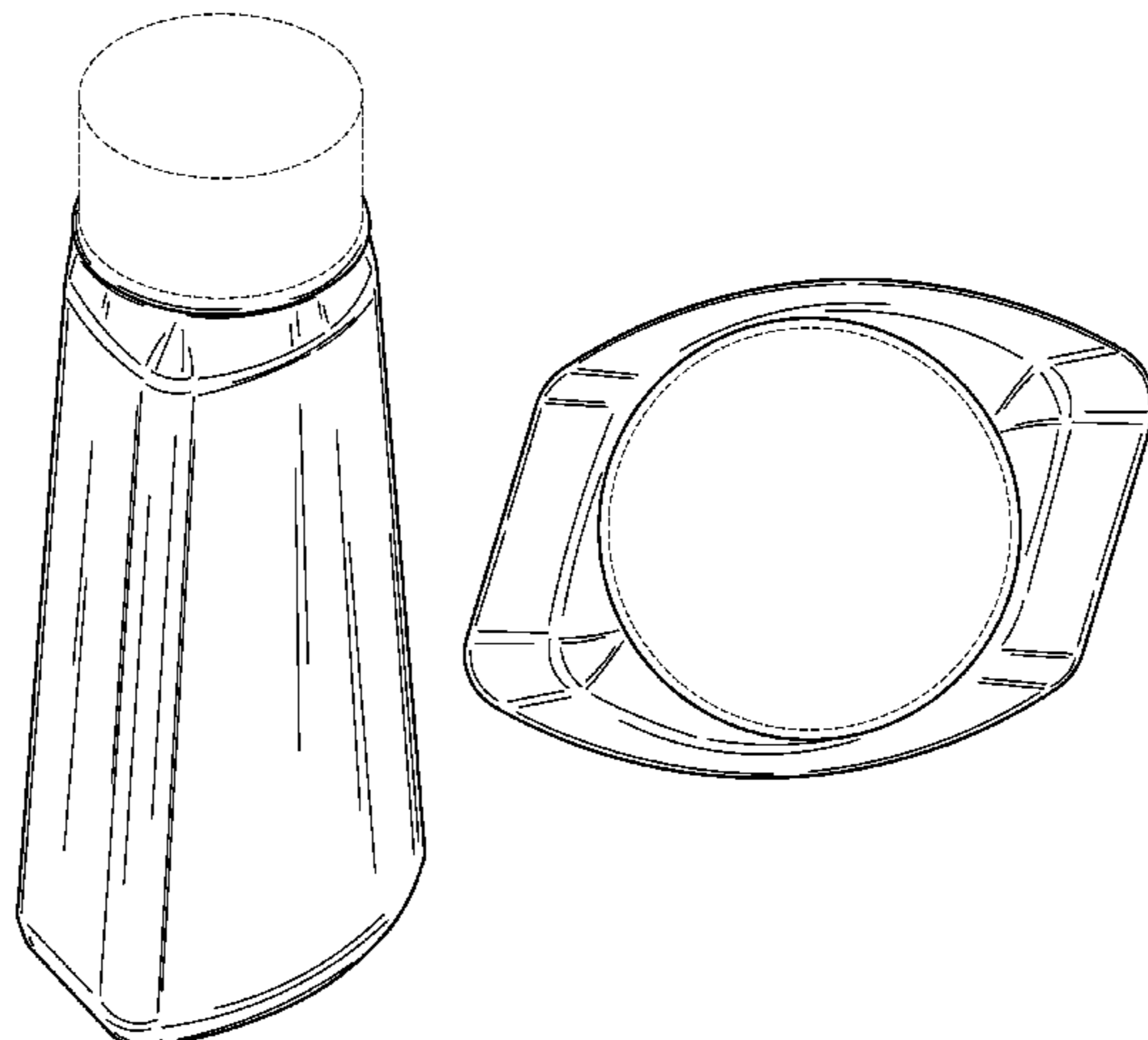
(56) **References Cited**
U.S. PATENT DOCUMENTS

D21,382 S 3/1892 Hannold
D28,182 S 1/1898 Whitall
D37,819 S 2/1906 Bradley
882,864 A 3/1908 Burke
D52,472 S 9/1918 Corey
D94,189 S 1/1935 Cassedy
D97,176 S 10/1935 Clevenger
D97,178 S 10/1935 Clevenger
D101,919 S 11/1936 Leach
D104,546 S 5/1937 Topping
D106,370 S 10/1937 Pancoast
D106,628 S 10/1937 Leach, Jr.
D143,421 S 1/1946 Gasner
D176,226 S 11/1955 Morris
D189,460 S 12/1960 Richter
D192,535 S 4/1962 Laudano
D193,311 S 7/1962 Buckley
D195,230 S 5/1963 Dubbs
D196,990 S 11/1963 Dubbs
D198,405 S 6/1964 Recknagel

(57) **CLAIM**
We claim the ornamental design for a bottle, as shown and described.

DESCRIPTION
FIG. 1 is a top, front, and left side perspective view of a bottle showing our new design;
FIG. 2 is a top, front, and right side perspective view thereof;
FIG. 3 is a front elevational view thereof,
FIG. 4 is a back elevational view thereof;
FIG. 5 is a left side elevational view thereof;
FIG. 6 is a right side elevational view thereof;
FIG. 7 is a top plan view thereof, shown in an enlarged condition; and,
FIG. 8 is a bottom plan view thereof.
The broken lines shown in the drawings are included for the purpose of showing environmental structure that forms no part of the claimed design.

1 Claim, 5 Drawing Sheets



US D617,646 S

Page 2

U.S. PATENT DOCUMENTS					
3,874,562	A	4/1975 Hazard	D411,804	S	7/1999 Zaragoza
D238,555	S	1/1976 Blank	D412,851	S	8/1999 Nosella
D246,953	S	1/1978 Britt	D413,807	S	9/1999 Mikla
D247,221	S	2/1978 Landor et al.	5,954,213	A	9/1999 Gerhart et al.
D248,088	S	6/1978 Britt	D415,037	S	* 10/1999 Pritchard et al. D9/571
D254,651	S	4/1980 Shortino	D417,624	S	12/1999 Herrmann et al.
D254,652	S	4/1980 Shortino	D419,889	S	2/2000 Kuzma et al.
D254,711	S	4/1980 Shortino	D420,772	S	* 2/2000 Gabriel et al. D30/132
D254,713	S	4/1980 Shortino	D422,506	S	4/2000 Cummings
D255,543	S	6/1980 Shortino	D422,509	S	* 4/2000 Luzzi et al. D9/575
D255,652	S	7/1980 Kretz	D423,370	S	* 4/2000 Lewin D9/516 X
D256,555	S	8/1980 Beeman	D424,448	S	5/2000 Weber
D257,504	S	11/1980 Weckman	D425,408	S	5/2000 Bakic
D258,117	S	2/1981 Bashour	D425,429	S	5/2000 Weber
D259,542	S	6/1981 Shortino	D425,794	S	* 5/2000 Grossnickle D9/574 X
D261,107	S	10/1981 Harris	D427,073	S	6/2000 Gaffney
D263,281	S	3/1982 Smith	D428,343	S	7/2000 Waitzenegger
D266,990	S	11/1982 Cook	D428,578	S	7/2000 Waitzenegger
D268,647	S	4/1983 Kingsford	D429,649	S	8/2000 Kotyuk
D273,564	S	4/1984 Spielhoff	D432,920	S	10/2000 Johnson et al.
D279,455	S	* 7/1985 Fleming D9/574	D433,637	S	11/2000 Hailey et al.
D281,863	S	12/1985 Beechuk et al.	D433,947	S	11/2000 Ewing, Jr.
D283,398	S	* 4/1986 Van Dine D9/573	D437,559	S	2/2001 Fenton et al.
D288,905	S	3/1987 Platte, Sr.	D437,775	S	2/2001 Dalmau
D306,695	S	3/1990 Smith	D438,118	S	2/2001 Dalmau
D308,337	S	6/1990 Weckman	D439,518	S	3/2001 Gavin
D310,329	S	9/1990 Schmidt	D439,843	S	4/2001 Dalmau
D312,779	S	12/1990 Tacconelli	D441,293	S	5/2001 Togasawa
D317,259	S	6/1991 Schmidt	D444,389	S	7/2001 Bakic
D321,131	S	10/1991 Wiseman et al.	D444,390	S	7/2001 Kokenge et al.
D322,937	S	1/1992 Dinand	D446,459	S	8/2001 Weber
D324,820	S	3/1992 Hayman et al.	D447,694	S	9/2001 Leggett
D324,998	S	3/1992 Klapwald	D448,678	S	10/2001 Bakic
D336,246	S	6/1993 Narvaez	D448,999	S	10/2001 Weber
D346,964	S	5/1994 Green	D450,597	S	11/2001 Bobchenok et al.
D347,388	S	* 5/1994 Crawford D9/529	6,321,923	B1	11/2001 Wood
D347,389	S	5/1994 Crawford	D452,157	S	12/2001 White et al.
D347,794	S	* 6/1994 Lewis D9/575 X	D452,446	S	12/2001 Shear
D349,857	S	8/1994 Lonczak et al.	D455,648	S	4/2002 Cummings
D352,462	S	11/1994 Rupert	D455,655	S	4/2002 Bunce
D353,775	S	12/1994 Thompson	D457,069	S	5/2002 Palaia
5,392,937	A	2/1995 Prevot et al.	D458,149	S	6/2002 Cummings
D356,038	S	3/1995 Biesecker	D458,847	S	6/2002 Kuzma et al.
D357,418	S	4/1995 Lonczak et al.	D459,212	S	6/2002 Gobe
D360,831	S	8/1995 Boisset	D459,659	S	7/2002 Chung
D368,859	S	4/1996 LoPreto	D468,214	S	1/2003 Kuzma et al.
D369,980	S	5/1996 Dinand	D468,643	S	1/2003 Kuzma et al.
D372,870	S	* 8/1996 Westerhout D9/516	D468,644	S	1/2003 Kuzma et al.
D372,873	S	8/1996 Lathrop	D469,022	S	1/2003 Kuzma et al.
5,542,585	A	8/1996 Peters et al.	D470,772	S	2/2003 Egger
D373,536	S	9/1996 Kokenge et al.	D471,111	S	3/2003 Weaver et al.
D375,051	S	10/1996 Lathrop et al.	D471,461	S	3/2003 McGowan
D376,310	S	12/1996 Crawford	D472,154	S	3/2003 Peon et al.
5,598,941	A	2/1997 Semersky et al.	D475,298	S	6/2003 Corrigan et al.
D378,665	S	4/1997 Fenton et al.	D480,001	S	* 9/2003 Bakic D9/522
D381,895	S	8/1997 Cheng	D480,002	S	9/2003 Canepa
D382,209	S	8/1997 Fenton et al.	D481,950	S	11/2003 Bakic
D386,090	S	11/1997 de Giovellina	D482,793	S	* 11/2003 Oyama et al. D9/575 X
D392,895	S	3/1998 Kuzma et al.	D486,065	S	2/2004 Hutchinson et al.
D392,897	S	3/1998 Biesecker et al.	D489,267	S	5/2004 Rennie et al.
D393,202	S	4/1998 Bertolini et al.	D496,283	S	9/2004 Busa, Jr.
D393,596	S	4/1998 Kotyuk	D497,312	S	10/2004 Anderson et al.
D396,191	S	7/1998 Kuzma et al.	D498,144	S	* 11/2004 Illenberger et al. D9/549
D397,608	S	9/1998 Fiore	D498,670	S	11/2004 Cummings et al.
D398,239	S	9/1998 Bertolini et al.	D500,954	S	1/2005 Kuzma et al.
D398,244	S	9/1998 Bertolini et al.	D501,141	S	1/2005 Bakic
D398,853	S	9/1998 Phillips	D502,400	S	3/2005 Cinquino et al.
5,816,451	A	10/1998 Renault	D505,079	S	5/2005 Mulder et al.
D403,592	S	1/1999 Everard et al.	D509,148	S	9/2005 Wilson et al.
D408,740	S	4/1999 Jones et al.	D510,030	S	9/2005 Storz et al.
D409,092	S	5/1999 Beasley	D513,993	S	1/2006 Boyd
			D514,448	S	2/2006 Kuzma et al.
			D521,386	S	5/2006 Priestman

US D617,646 S

Page 3

D522,867 S	6/2006	Bakic	D553,001 S	10/2007	Granitz	
D524,657 S	7/2006	Harris et al.	D556,056 S	11/2007	Thomas et al.	
D525,872 S	8/2006	Haubert et al.	D558,575 S	1/2008	Van Der Krogt et al.	
D525,873 S	8/2006	Haubert et al.	D558,580 S	1/2008	Kuzma et al.	
D526,200 S	8/2006	Bakic	D559,114 S	1/2008	Breitlander	
D526,204 S	8/2006	Stolle	D562,139 S	2/2008	Crabtree et al.	
D527,636 S	9/2006	Bakic	D562,140 S	2/2008	Crabtree et al.	
D529,388 S	10/2006	Bakic	D563,793 S	3/2008	Nomoto	
D529,810 S	10/2006	Davies et al.	D567,664 S	4/2008	Rica	
D535,887 S	1/2007	Haubert, III et al.	D569,730 S	5/2008	Crabtree et al.	
D535,888 S	1/2007	Kuzma et al.	D578,395 S *	10/2008	Kuzma et al.	D9/522
D535,891 S	1/2007	Varlet	D578,406 S	10/2008	Kuzma et al.	
D538,678 S	3/2007	Cummings et al.	D581,276 S	11/2008	Kuzma et al.	
D540,185 S	4/2007	Cummings et al.	D585,750 S	2/2009	Kuzma et al.	
D541,162 S	4/2007	Pleines et al.	D607,744 S *	1/2010	Laird et al.	D9/573
D542,661 S	5/2007	Adler et al.	D608,213 S *	1/2010	Kuzma et al.	D9/573
D547,190 S	7/2007	Kuzma et al.				
D551,555 S	9/2007	Escobosa et al.				

* cited by examiner

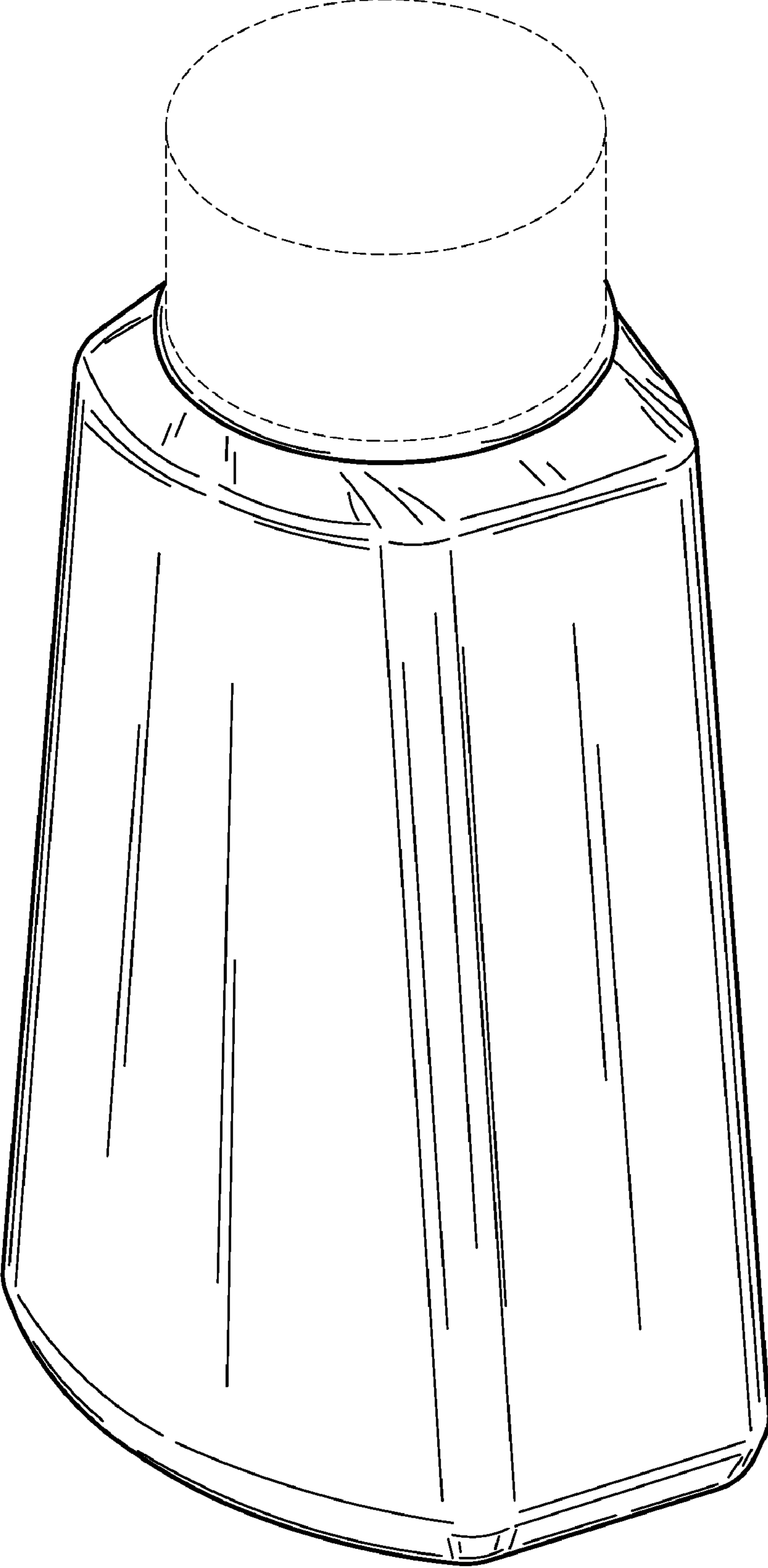


Fig. 1

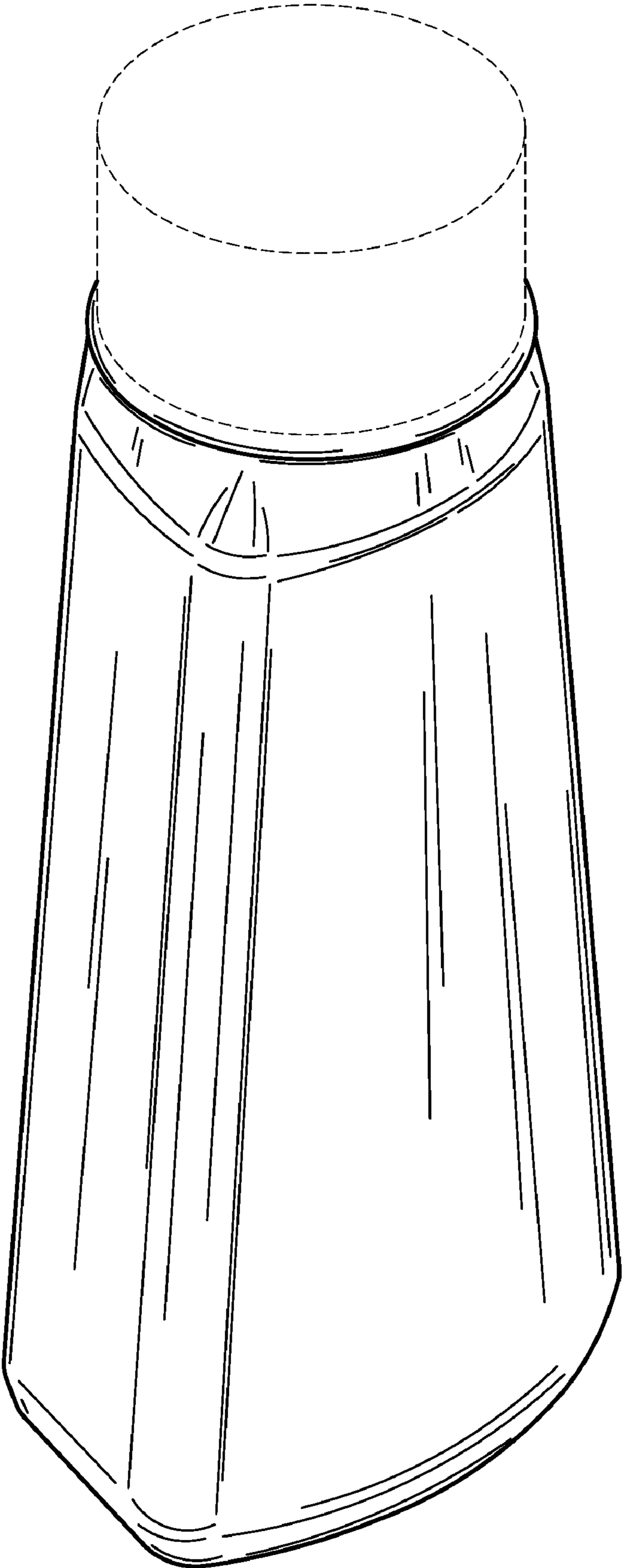


Fig. 2

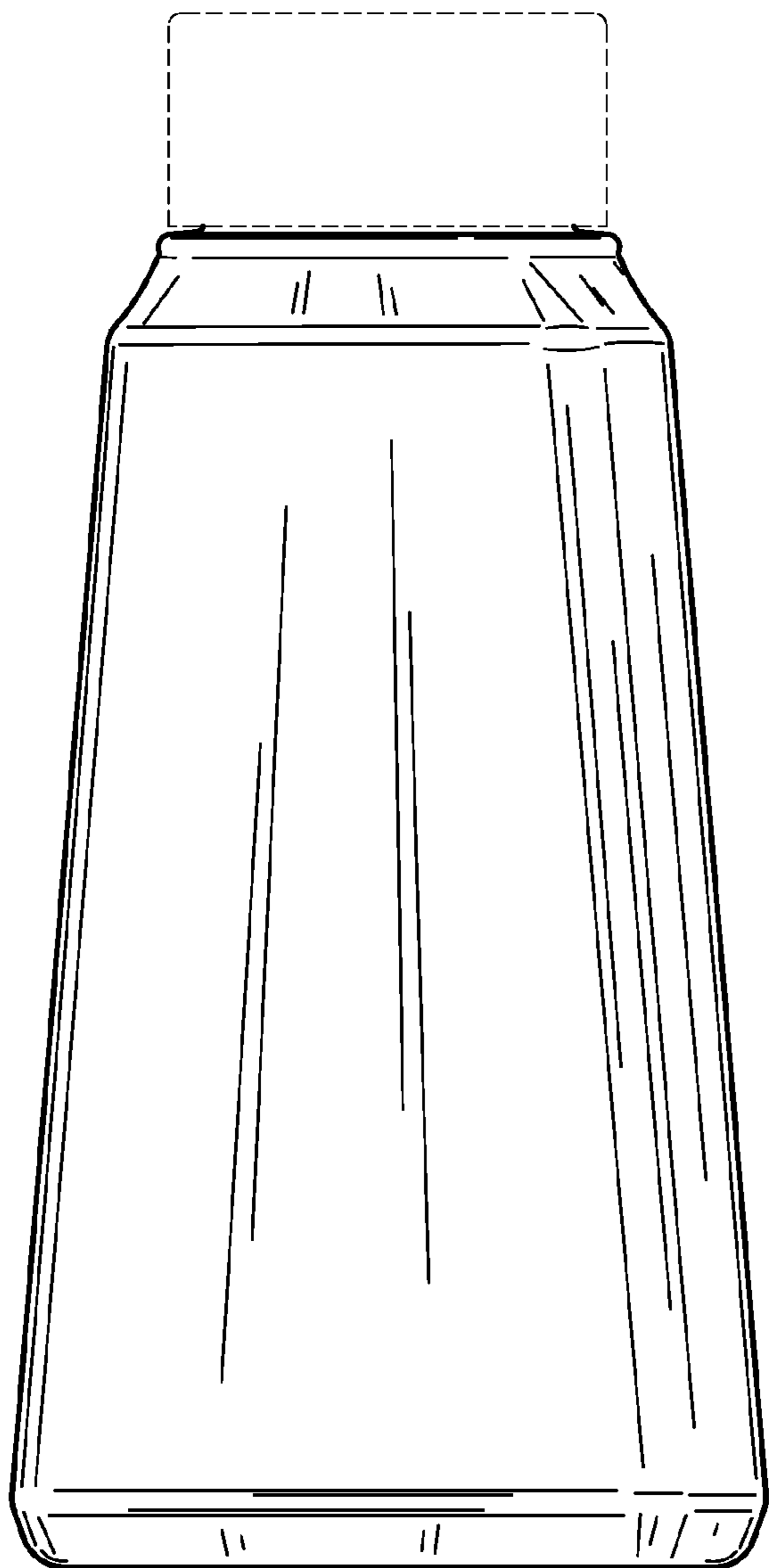


Fig. 3

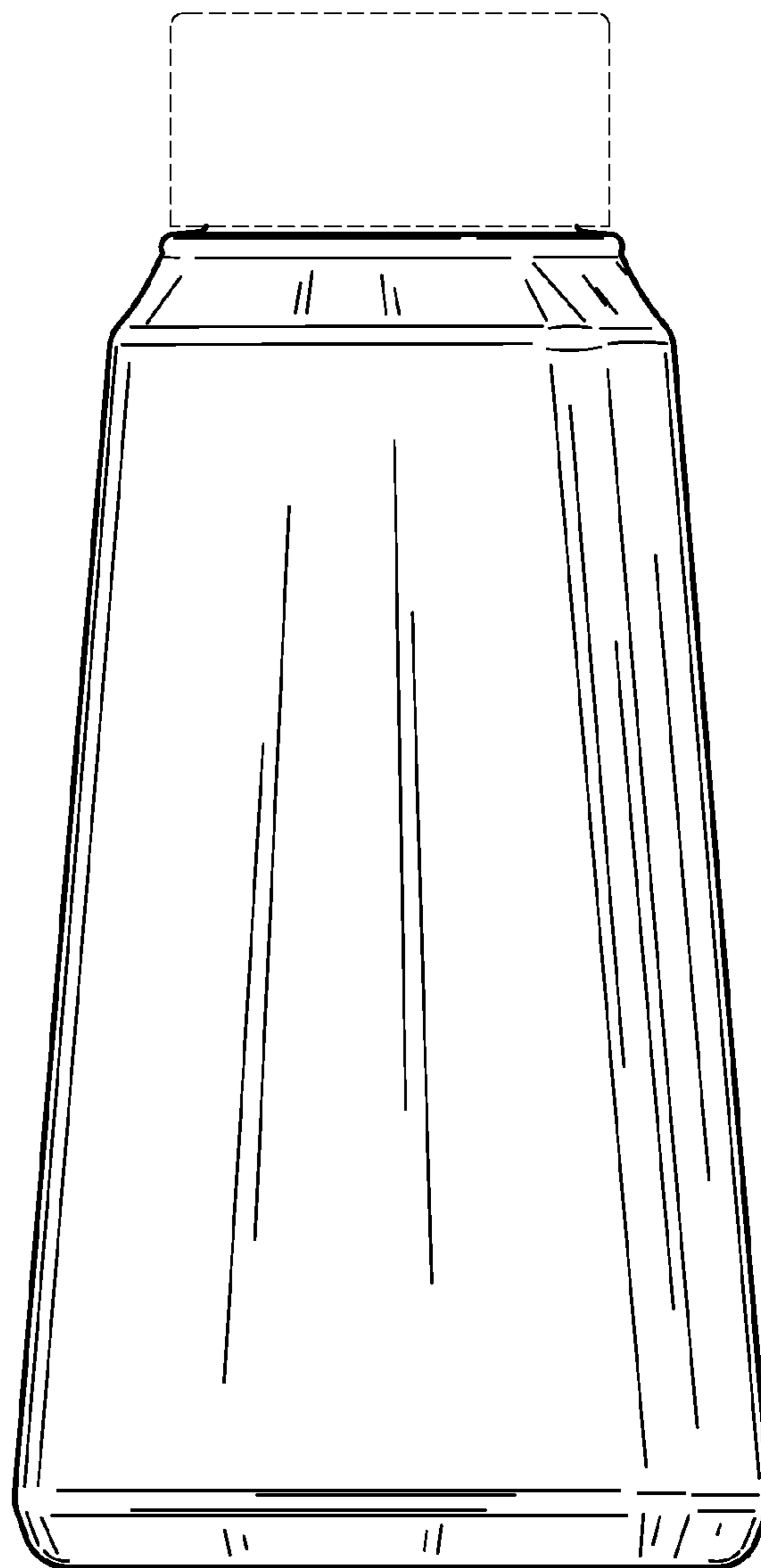


Fig. 4

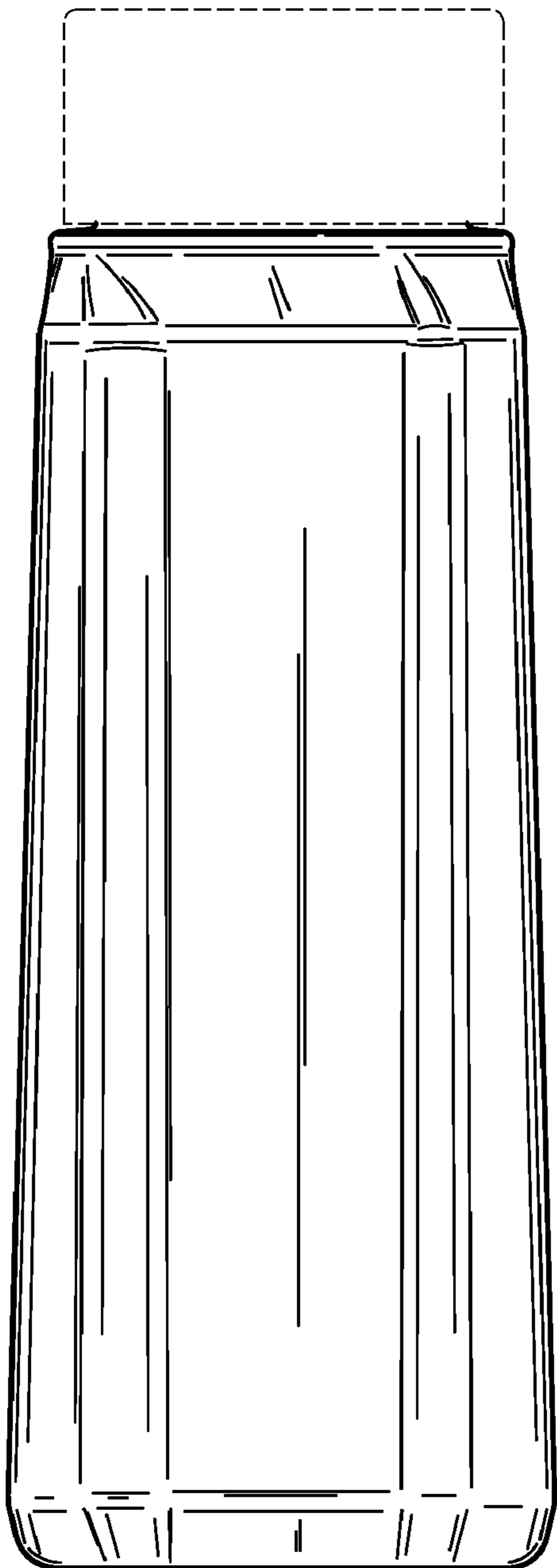


Fig. 5

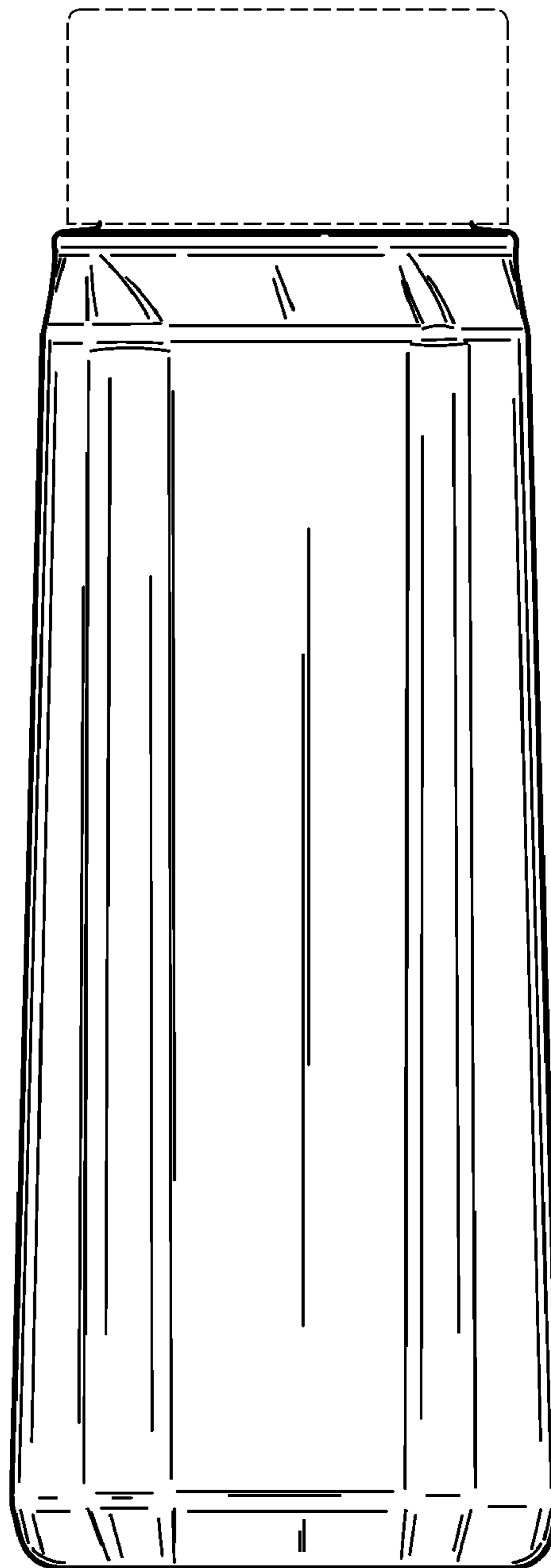


Fig. 6

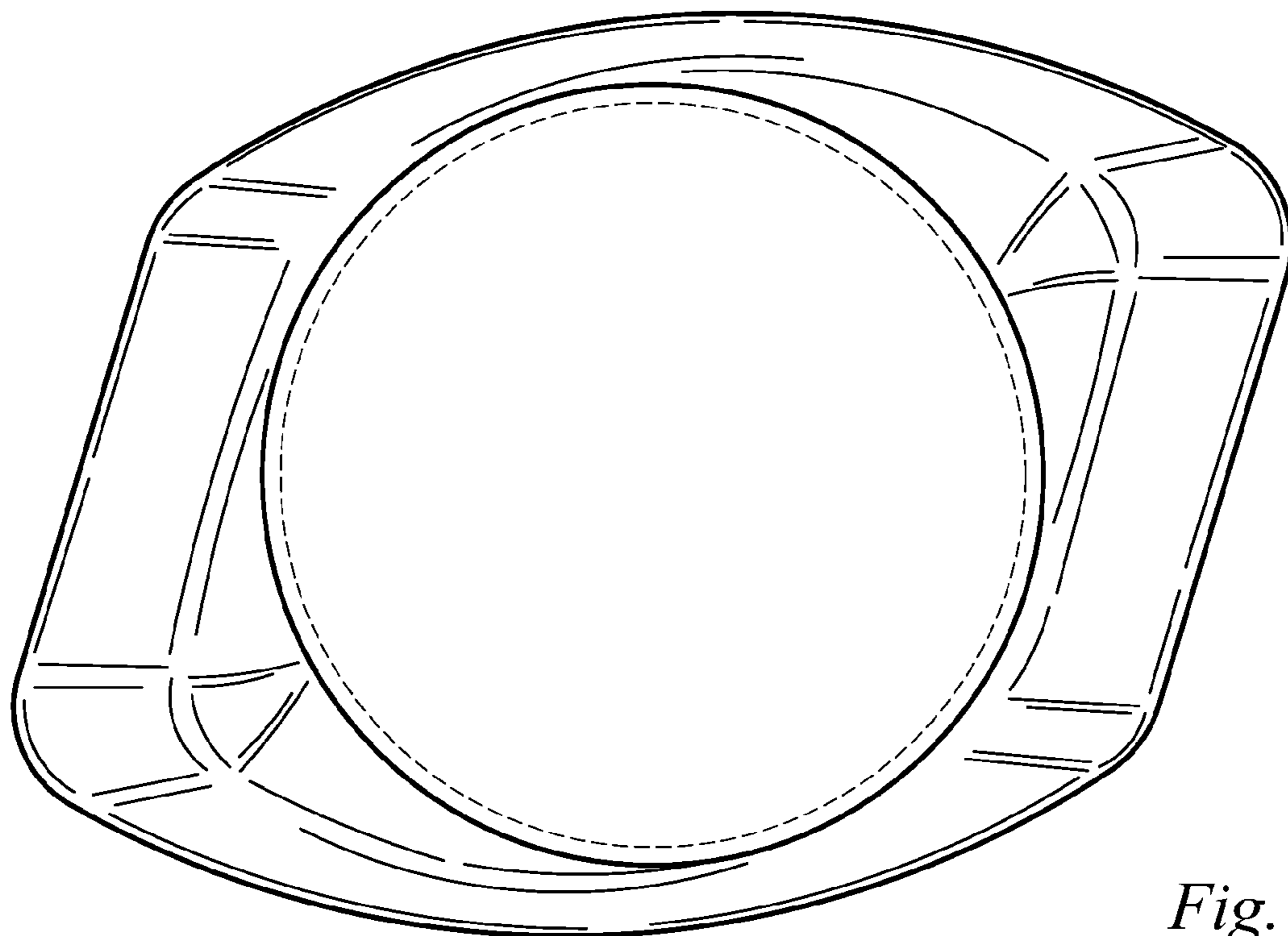


Fig. 7

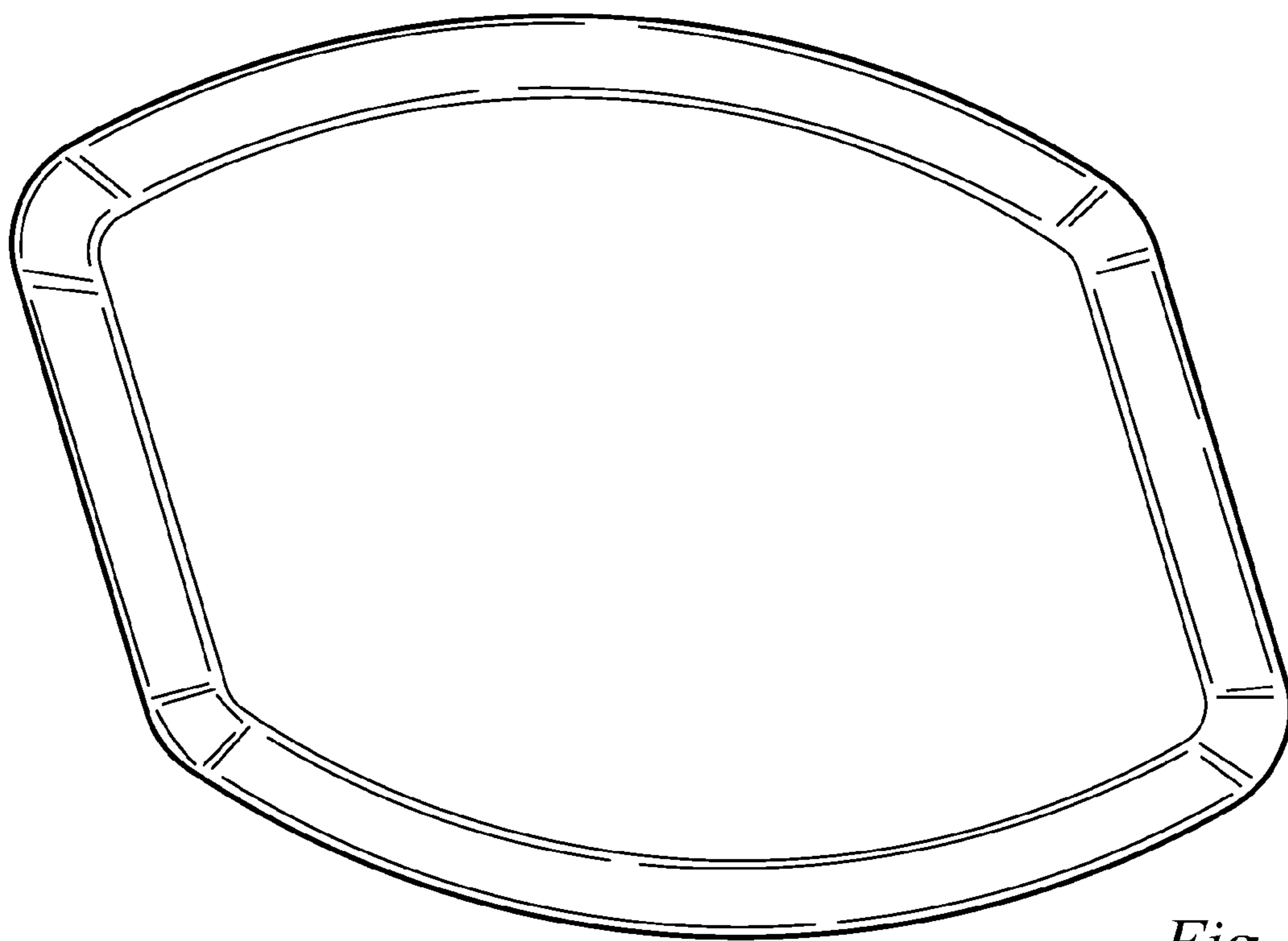


Fig. 8