



US00D617644S

(12) **United States Design Patent**
Leventhal

(10) **Patent No.:** **US D617,644 S**
(45) **Date of Patent:** **** Jun. 15, 2010**

(54) **CONTAINER**

(75) Inventor: **James M. Leventhal**, Boston, MA (US)

(73) Assignee: **Clio Designs Incorporated**, Watertown, MA (US)

(**) Term: **14 Years**

(21) Appl. No.: **29/338,277**

(22) Filed: **Jun. 8, 2009**

(51) **LOC (9) Cl.** **09-01**

(52) **U.S. Cl.** **D9/517; D9/529; D9/548; D9/551**

(58) **Field of Classification Search** D9/500–505, D9/682, 688, 690, 691, 693, 695, 698, 715, D9/716, 719, 723–726, 730, 733, 516, 517, D9/520, 521, 529, 548, 549, 414, 417, 434–436, D9/447–450; 215/200, 227, 228, 306, 376, 215/377, 379, 382–385, 386, 390, 395, 399; 220/483, 200, 212, 379, 628, 630, 631, 660, 220/669, 676, 694, 735, 737, 740, 744, 751; 222/93, 105, 106, 173, 180, 181.1–181.3, 222/206, 213, 215; 248/683, 688
See application file for complete search history.

(56) **References Cited**

U.S. PATENT DOCUMENTS

632,321 A * 9/1899 Olney 211/74
1,561,382 A * 11/1925 Walters 222/105
3,424,218 A * 1/1969 Vanderbur, Jr. et al. 215/247
3,847,295 A * 11/1974 Taylor 215/44
4,749,104 A * 6/1988 Chao 222/78
4,796,766 A * 1/1989 Clark 215/370
4,930,668 A * 6/1990 Krall 222/212
D342,028 S * 12/1993 Stenger D9/521
D380,352 S * 7/1997 Meiji D7/629
6,095,374 A * 8/2000 Ricard et al. 222/173

6,223,792 B1 * 5/2001 Slagle 141/331
6,491,187 B2 * 12/2002 Walters 222/185.1
6,808,090 B2 * 10/2004 Pedersen 222/181.3
6,962,272 B2 * 11/2005 LeBlond 222/180

(Continued)

FOREIGN PATENT DOCUMENTS

CH 682068 A5 * 7/1993

(Continued)

Primary Examiner—Catherine Tuttle

(74) *Attorney, Agent, or Firm*—Mintz Levin Cohn Ferris Glovsky and Popeo, P.C.

(57) **CLAIM**

The ornamental design for a container, as shown and described.

DESCRIPTION

FIG. 1 is a front perspective view of a container showing the new design;

FIG. 2 is a rear perspective view of the container;

FIG. 3 is a front elevational view of the container;

FIG. 4 is a rear elevational view of the container;

FIG. 5 is a left side elevational view of the container;

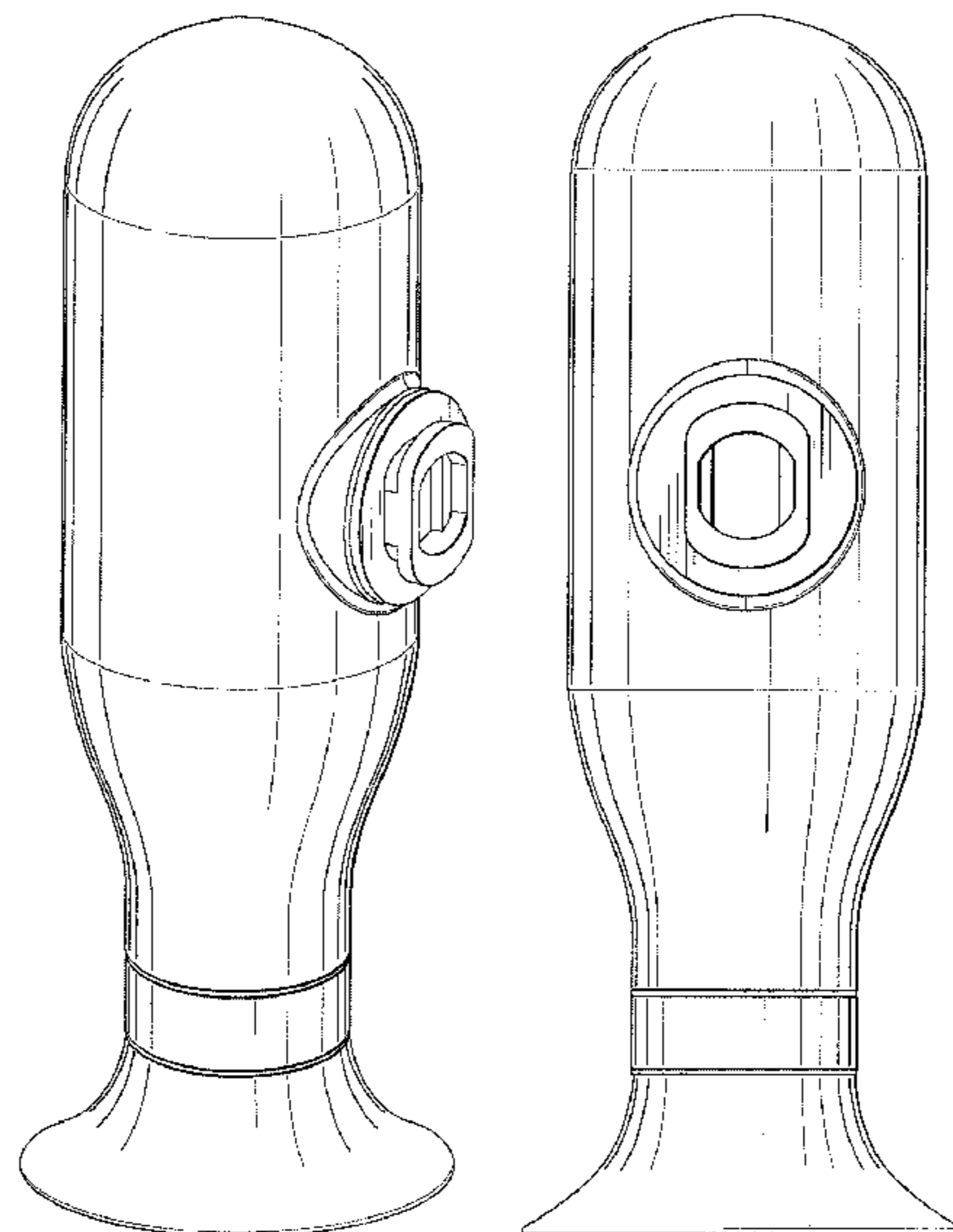
FIG. 6 is a right side elevational view of the container;

FIG. 7 is a top plan view of the container; and,

FIG. 8 is a bottom plan view of the container.

The broken lines are included for the purpose of illustrating a portion of the container that forms no part of the claimed design.

1 Claim, 8 Drawing Sheets



US D617,644 S

Page 2

U.S. PATENT DOCUMENTS

D574,711 S * 8/2008 Lederman et al. D9/521
2007/0012727 A1* 1/2007 Licari 222/167
2008/0035602 A1* 2/2008 Gooden et al. 215/383
2009/0107582 A1* 4/2009 Sayage 141/340

FOREIGN PATENT DOCUMENTS

GB DES. 3018615 * 12/2004
WO WO 9427479 A1 * 12/1994
WO WO 2007053632 A2 * 5/2007
* cited by examiner

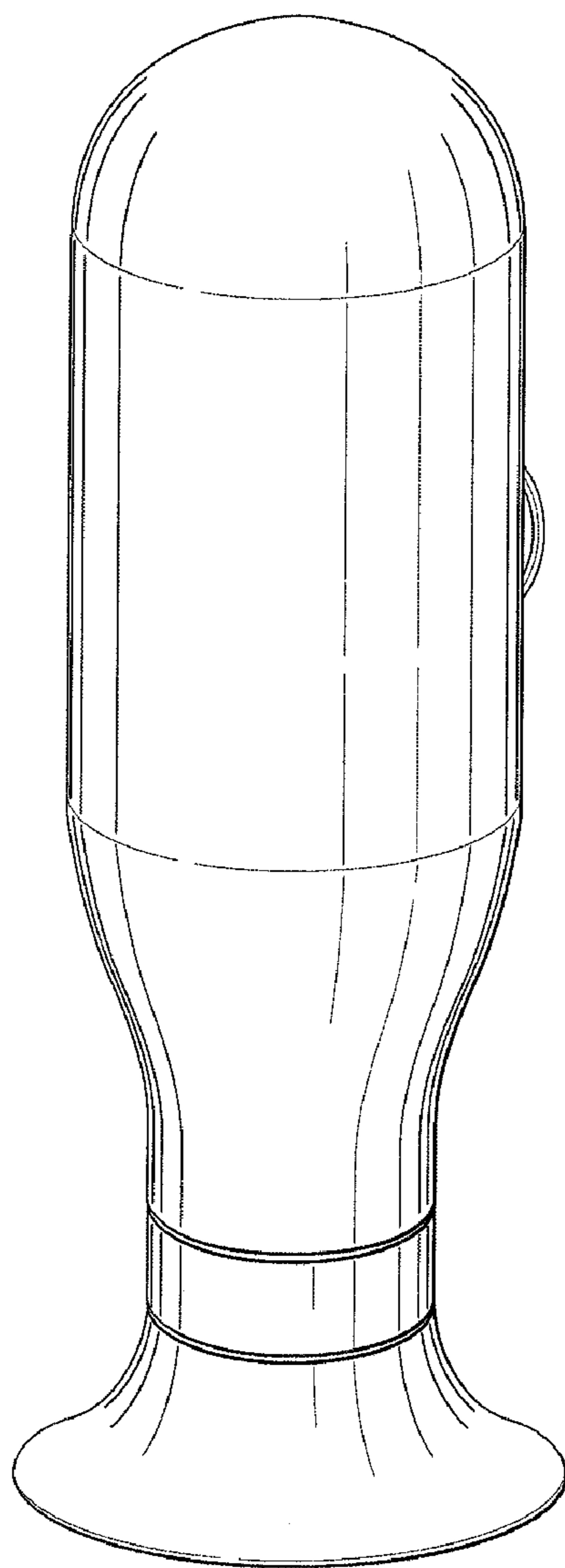


Fig. 1

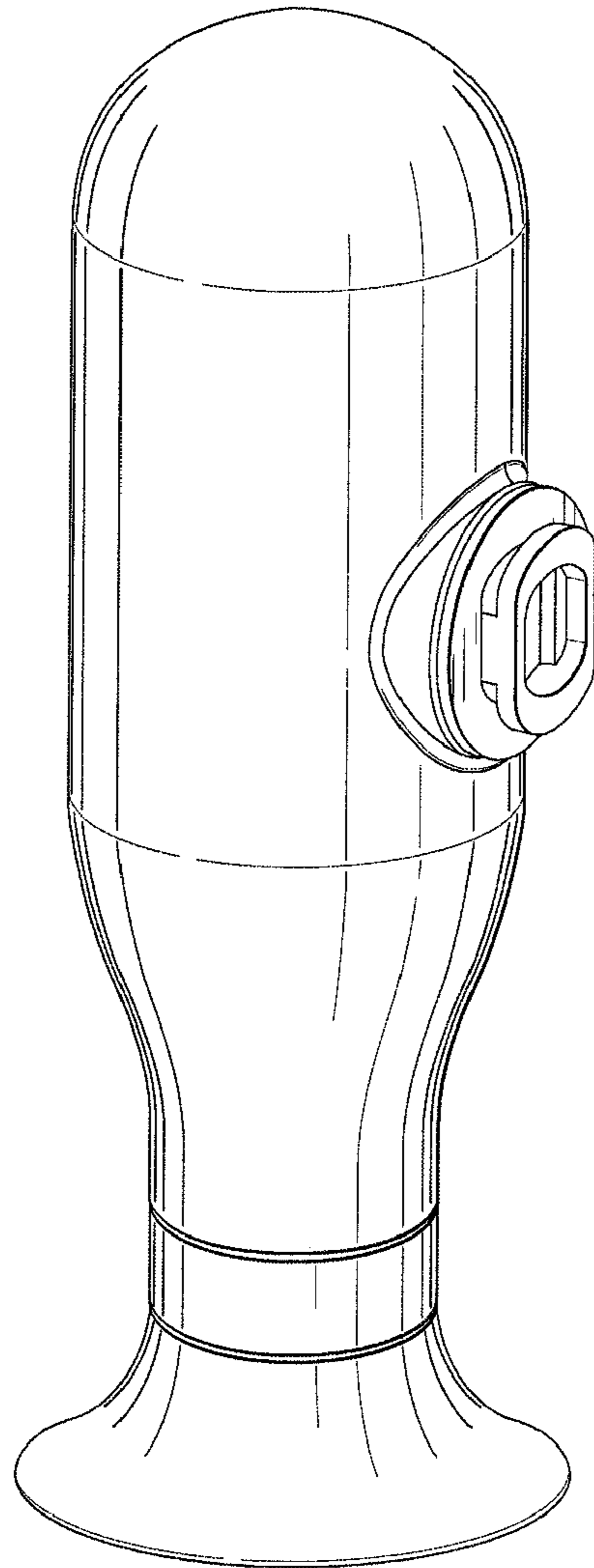


Fig. 2

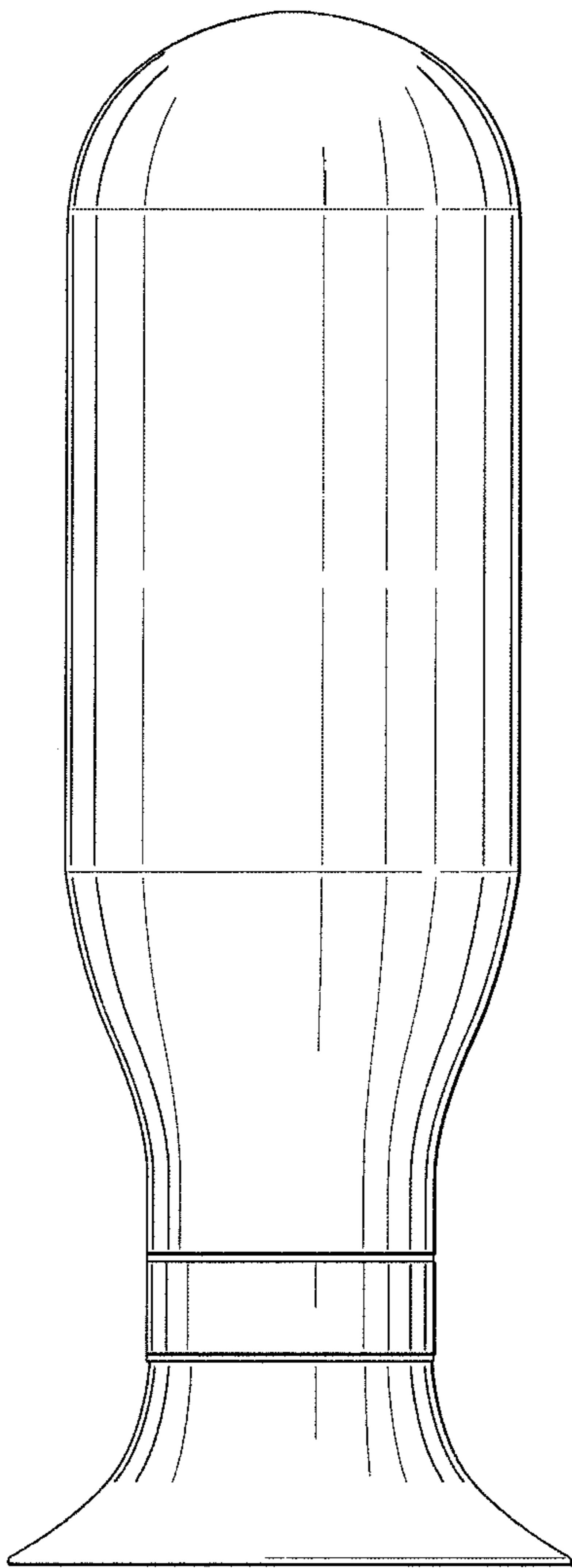


Fig. 3

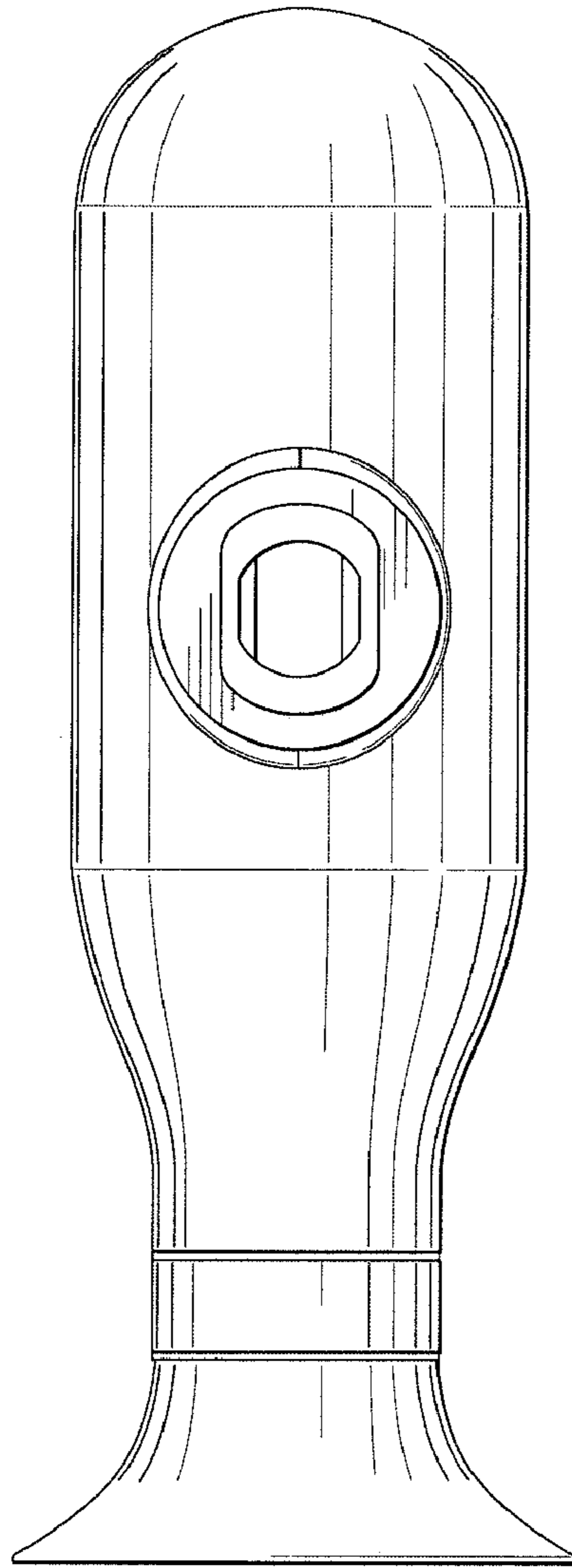


Fig. 4

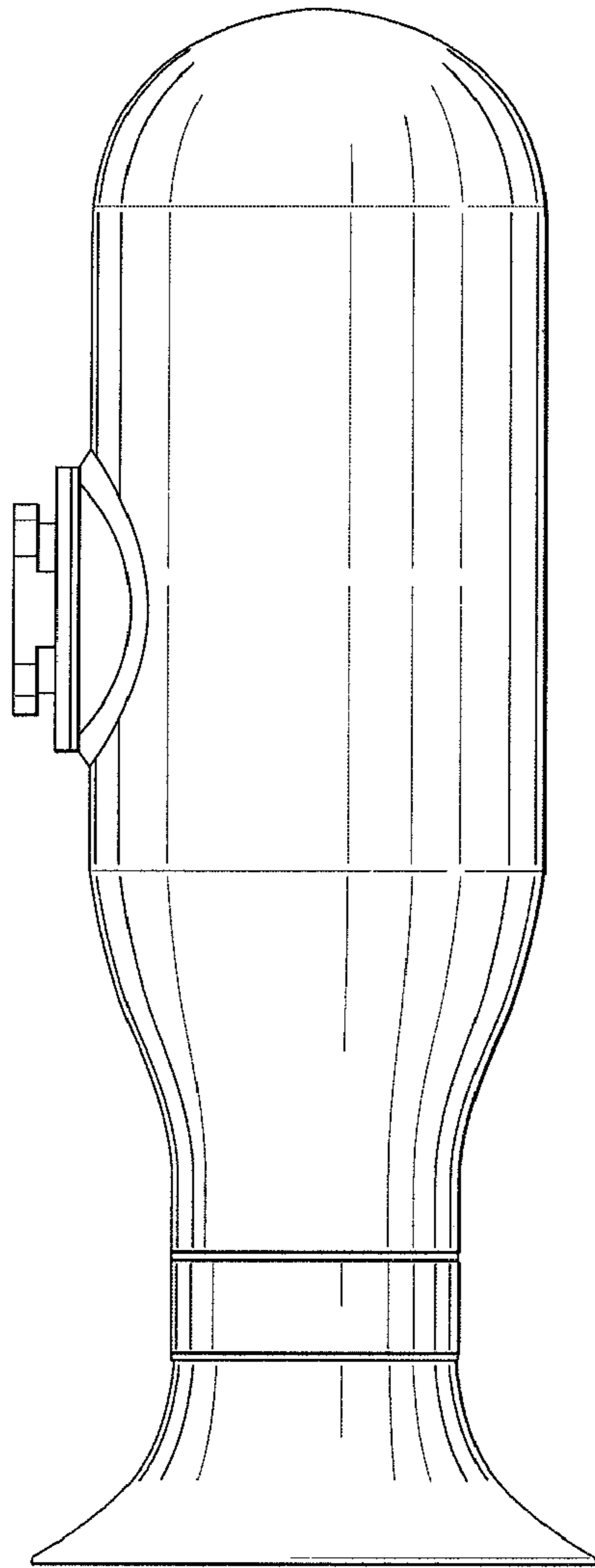


Fig. 5

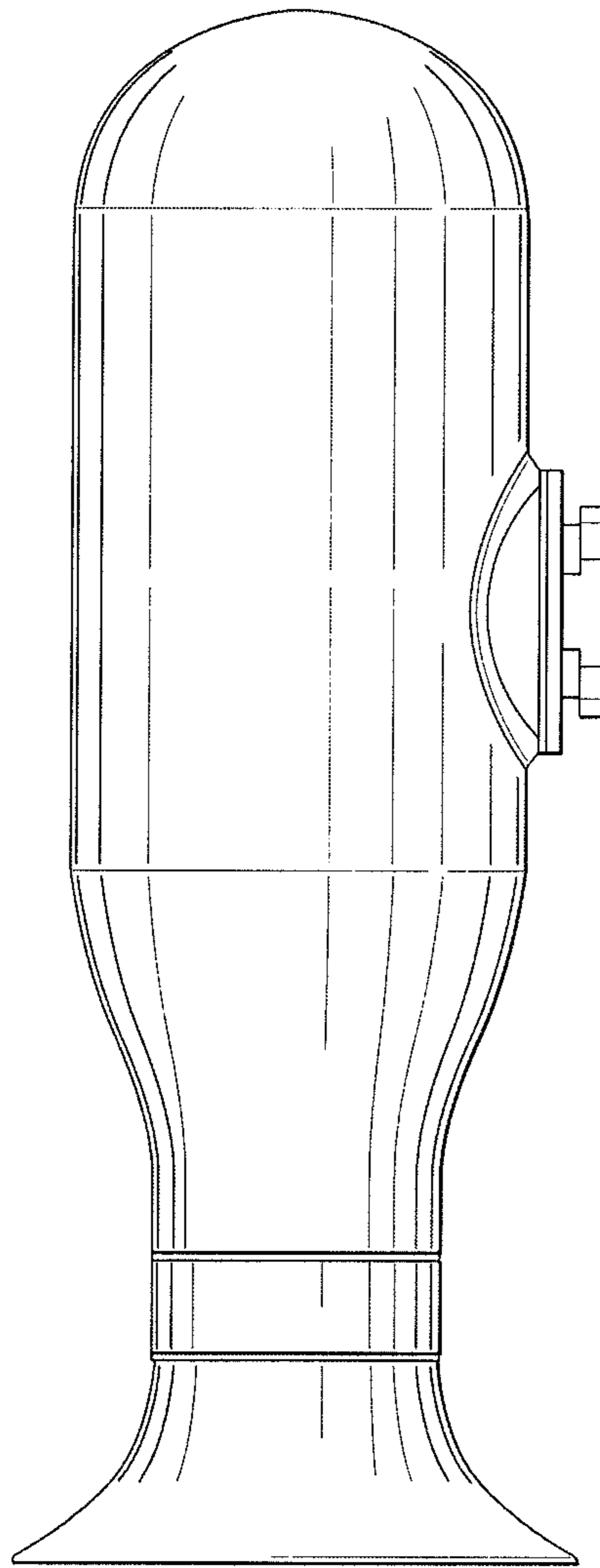


Fig. 6

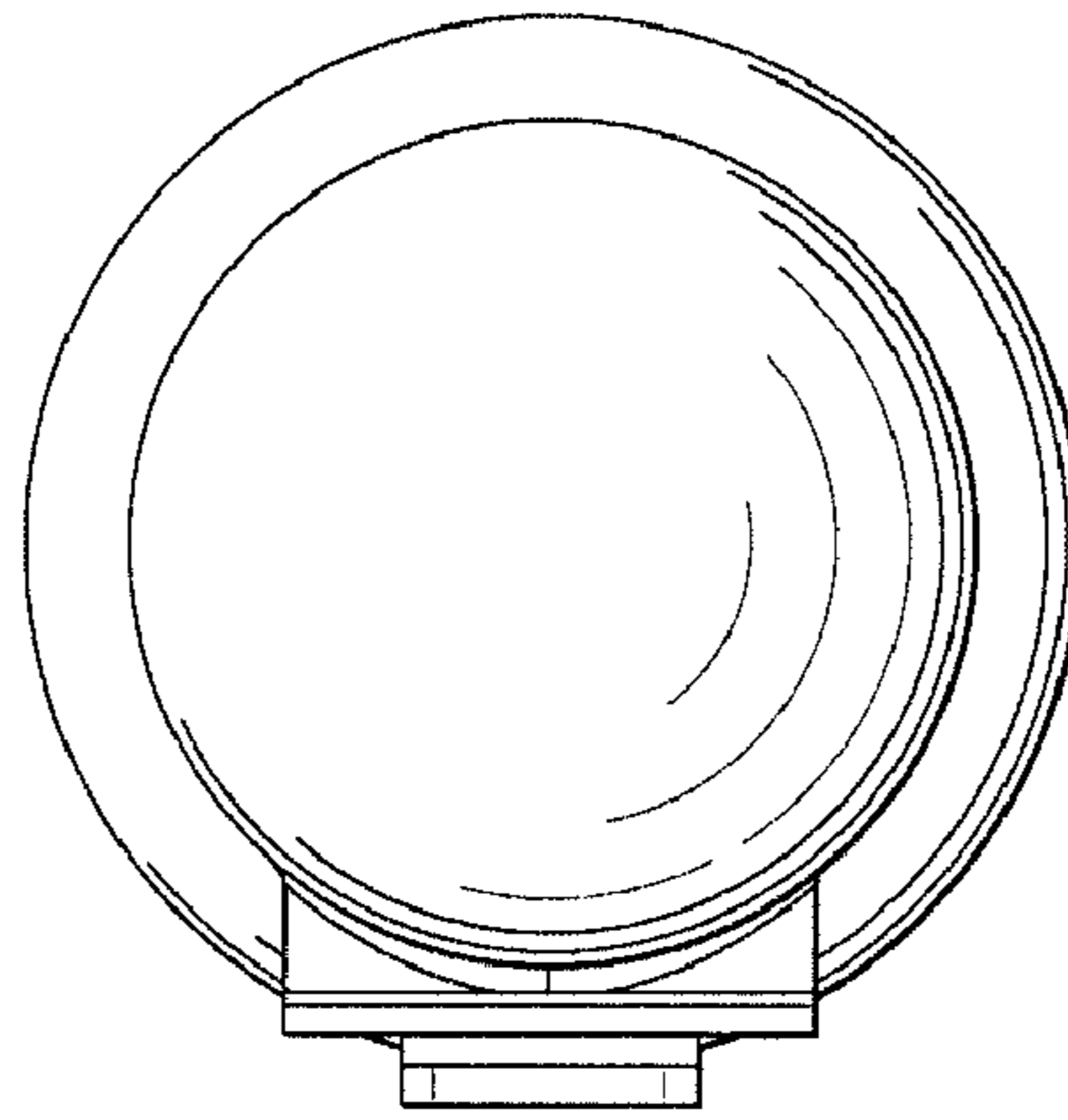


Fig. 7

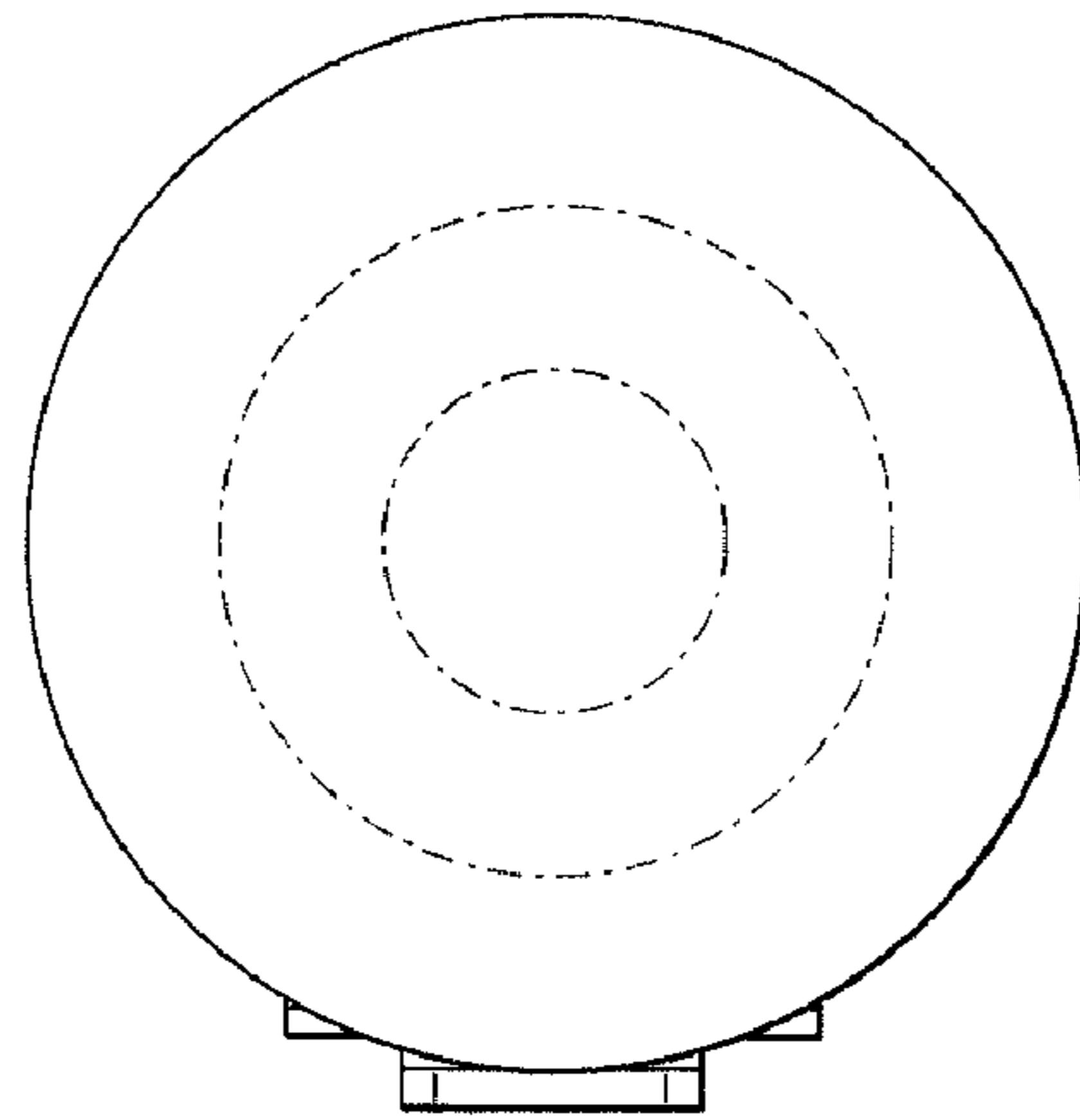


Fig. 8