



US00D617639S

(12) **United States Design Patent**
Casey et al.

(10) **Patent No.:** **US D617,639 S**
(45) **Date of Patent:** **** Jun. 15, 2010**

(54) **CAP FOR A CONTAINER**

(75) Inventors: **Elaine Casey**, New York, NY (US);
Bruce Cummings, New York, NY (US);
Corinne Elstow, Marlborough (GB);
Sam Lucking, Cheltenham (GB); **John Lamb**, Pewsey (GB); **Jeffrey Mayers**,
Ridgefield Park, NJ (US)

(73) Assignee: **Colgate-Palmolive Company**, New
York, NY (US)

(**) Term: **14 Years**

(21) Appl. No.: **29/341,150**

(22) Filed: **Jul. 31, 2009**

(51) **LOC (9) Cl.** **09-07**

(52) **U.S. Cl.** **D9/447; D9/453; D9/454**

(58) **Field of Classification Search** D9/708,
D9/709, 705, 629, 454, 453, 452, 451, 447,
D9/445, 443, 439, 438, 435; D7/571, 567,
D7/354; D24/224, 197; 222/566, 525; 220/288;
215/329, 328, 256, 252, 238, 222; 116/308
See application file for complete search history.

(56) **References Cited**

U.S. PATENT DOCUMENTS

| | | | | | |
|------------|---|---------|-------------|-------|--------|
| D181,629 S | * | 12/1957 | Cochran | | D9/453 |
| D183,622 S | * | 9/1958 | Libert | | D9/447 |
| D192,456 S | * | 3/1962 | Neuport | | D9/453 |
| D198,598 S | * | 7/1964 | Milenkevich | | D9/447 |
| D205,425 S | * | 8/1966 | Porter | | D9/447 |
| D214,263 S | * | 5/1969 | McConnell | | D9/450 |
| D267,397 S | * | 12/1982 | Mitchell | | D9/444 |
| D268,567 S | | 4/1983 | Kojima | | |
| D289,379 S | * | 4/1987 | DeVaughn | | D9/452 |
| D293,213 S | * | 12/1987 | Crapser | | D9/418 |
| D296,672 S | * | 7/1988 | Bouthillier | | D9/436 |
| H803 H | * | 8/1990 | Sherrington | | D9/435 |
| D396,638 S | * | 8/1998 | Demarest | | D9/448 |
| D453,472 S | * | 2/2002 | Kwong | | D9/447 |
| D495,599 S | * | 9/2004 | Biesecker | | D9/435 |
| D503,886 S | | 4/2005 | Biesecker | | |

| | | | | | |
|-----------------|---|---------|--------------------|-------|---------|
| D508,202 S | | 8/2005 | Dobson et al. | | |
| D554,995 S | | 11/2007 | Saint-Ignan et al. | | |
| D581,787 S | | 12/2008 | Davis et al. | | |
| D582,767 S | * | 12/2008 | Batton et al. | | D9/447 |
| 2003/0029890 A1 | * | 2/2003 | Olechowski et al. | | 222/525 |

FOREIGN PATENT DOCUMENTS

| | | | |
|----|----------------|----|--------|
| EM | 000249677-0001 | A1 | 1/2005 |
| EM | 000249677-0002 | A1 | 1/2005 |
| EM | 000249677-0003 | A1 | 1/2005 |
| EM | 000249677-0004 | A1 | 1/2005 |
| EM | 000249677-0005 | A1 | 1/2005 |
| EM | 000249677-0006 | A1 | 1/2005 |
| EM | 000249677-0007 | A1 | 1/2005 |
| EM | 000249677-0008 | A1 | 1/2005 |
| EM | 000641055-0001 | A1 | 1/2007 |

(Continued)

Primary Examiner—Susan Bennett Hattan
(74) *Attorney, Agent, or Firm*—Amy M. Fernandez

(57) **CLAIM**

The ornamental design for a cap for a container, as shown and described.

DESCRIPTION

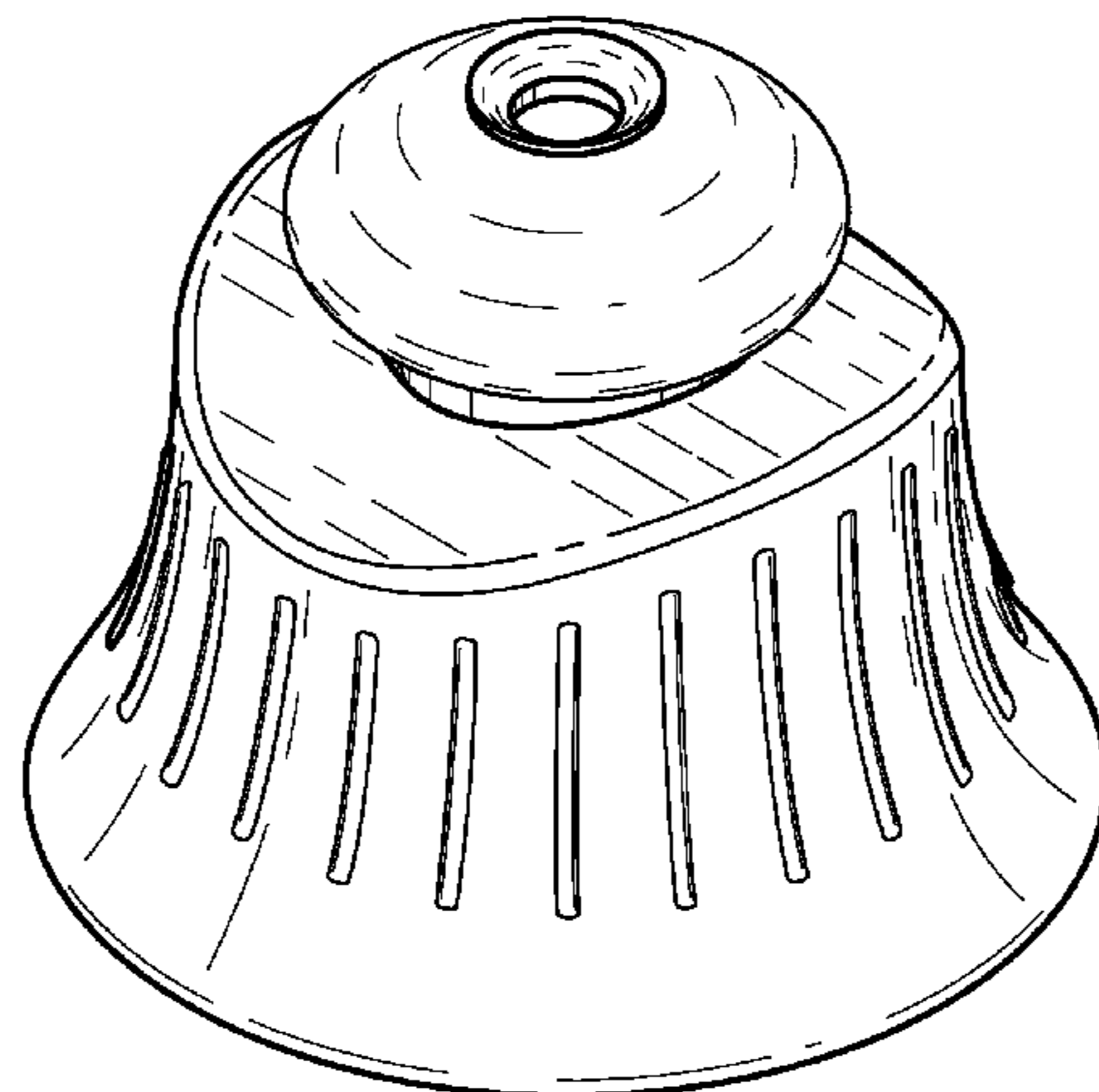
FIG. 1 is a top perspective view of a cap for a container according to the new design:

FIG. 2 is a front view thereof, the rear view being identical to the front view;

FIG. 3 is a right side view thereof, the left side view being identical to the right side view; and,

FIG. 4 is a top view thereof.

1 Claim, 3 Drawing Sheets



FOREIGN PATENT DOCUMENTS

| | | | | | | | |
|----|----------------|----|--------|----|----------------|----|--------|
| EM | 000641055-0002 | A1 | 1/2007 | EM | 000979802-0002 | A1 | 8/2008 |
| EM | 000751920-0001 | A1 | 7/2007 | EM | 000979802-0003 | A1 | 8/2008 |
| EM | 000751920-0002 | A1 | 7/2007 | EM | 001065536-0001 | A1 | 2/2009 |
| EM | 000975370-0001 | A1 | 8/2008 | EM | 001065536-0002 | A1 | 2/2009 |
| EM | 000975370-0002 | A1 | 8/2008 | EM | 001103899-0001 | A1 | 4/2009 |
| EM | 000975370-0003 | A1 | 8/2008 | EM | 001103899-0002 | A1 | 4/2009 |
| EM | 000975370-0004 | A1 | 8/2008 | EM | 001103899-0003 | A1 | 4/2009 |
| EM | 000979802-0001 | A1 | 8/2008 | EM | 001103899-0004 | A1 | 4/2009 |

* cited by examiner

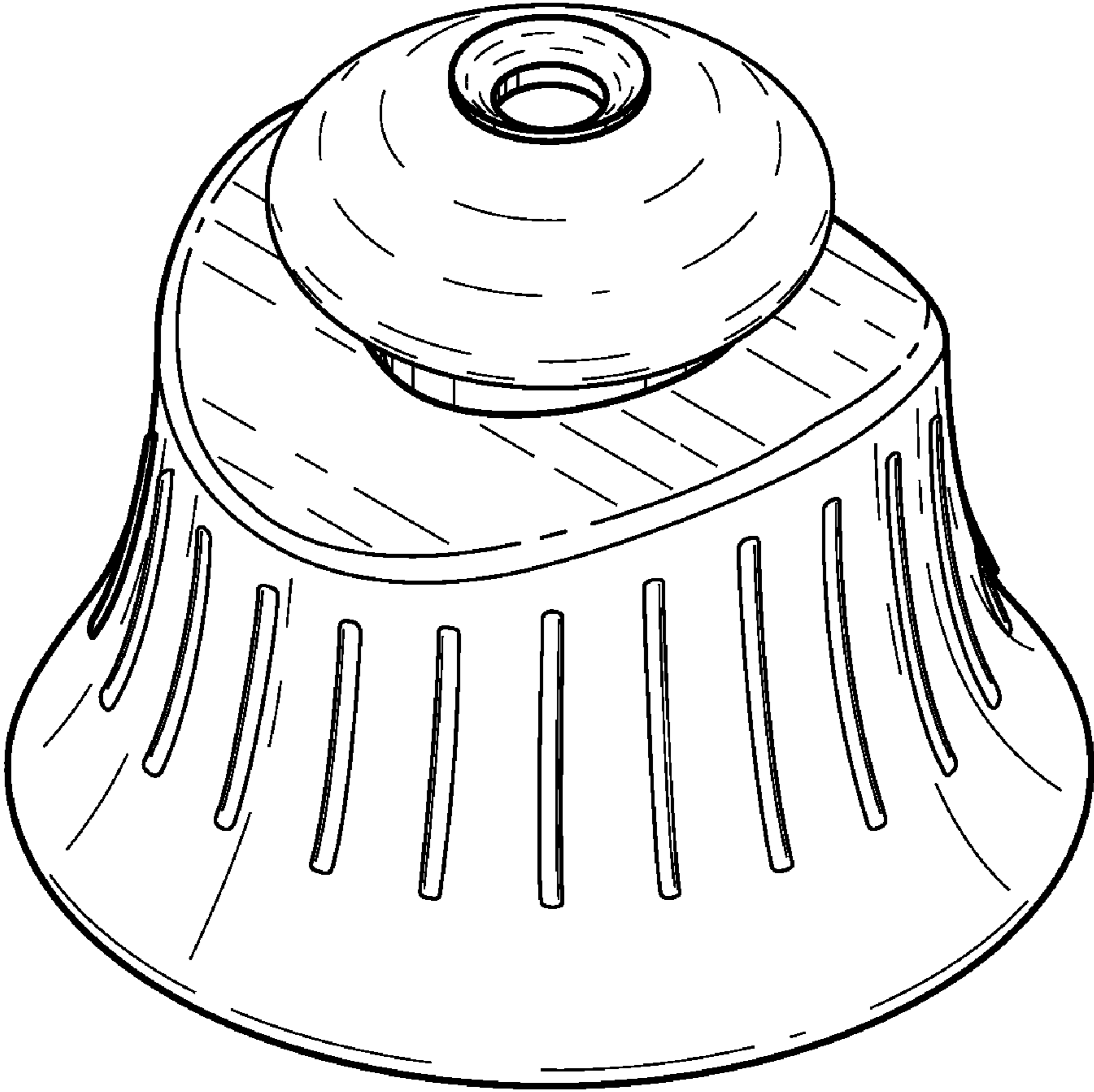


FIG. 1

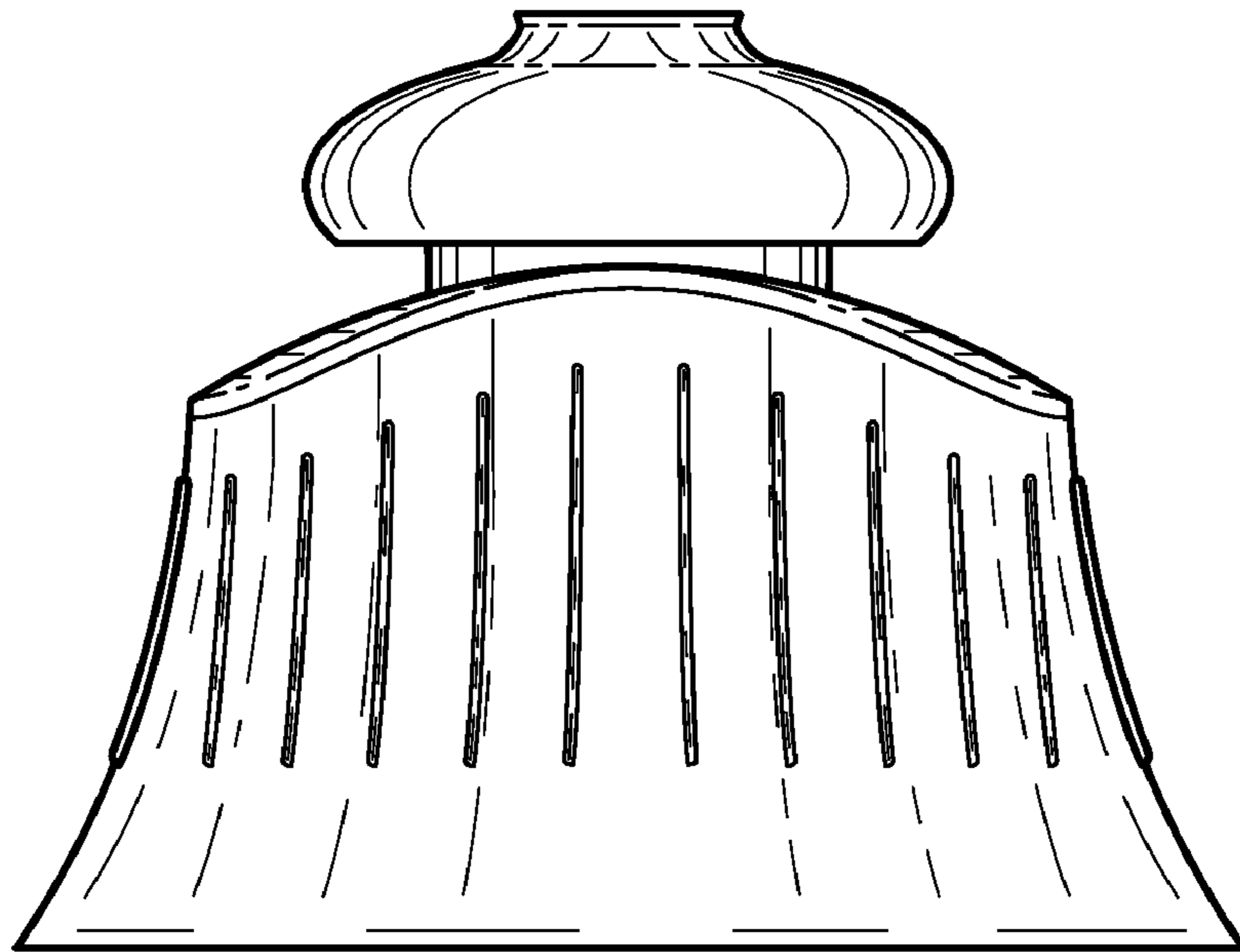


FIG. 2

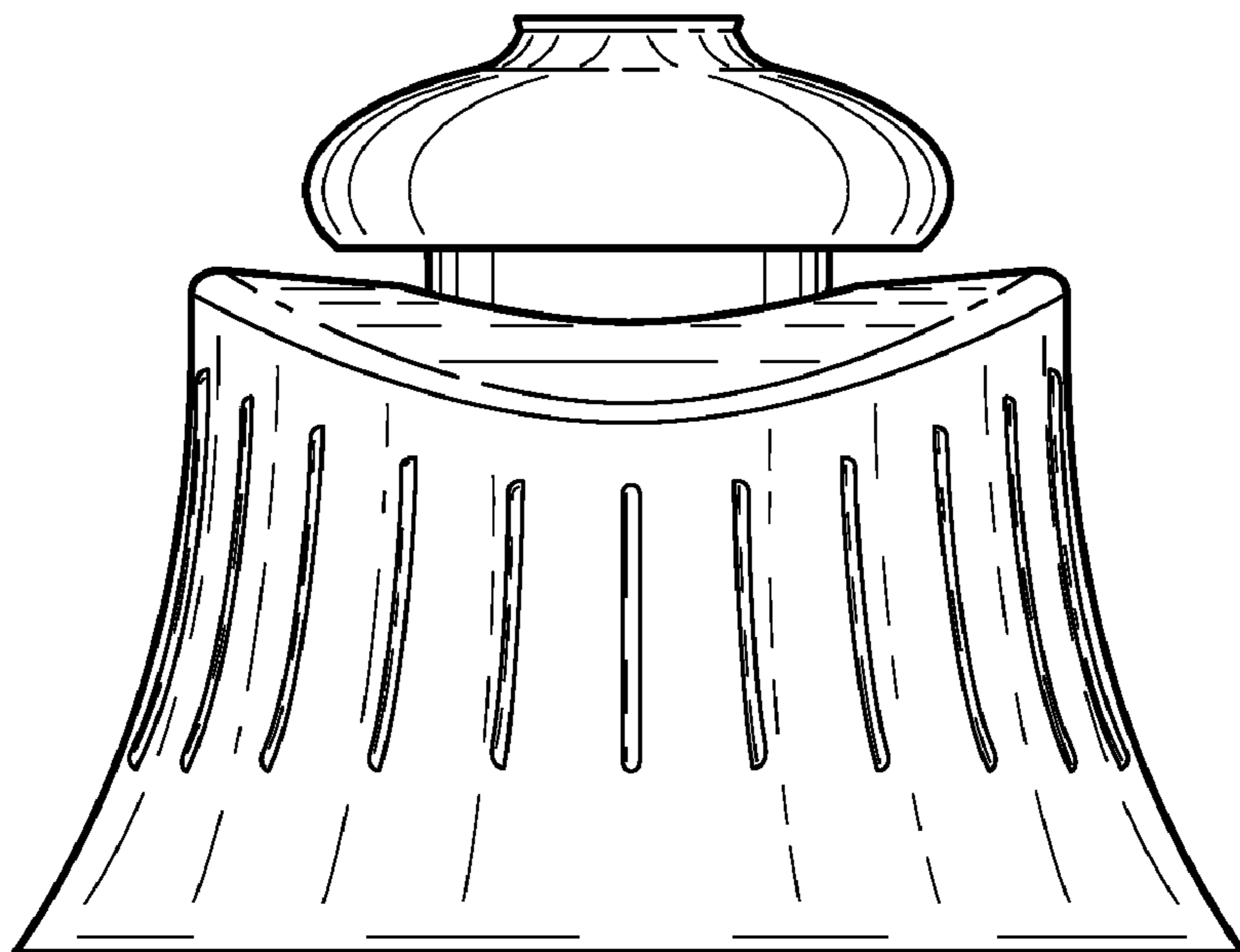


FIG. 3

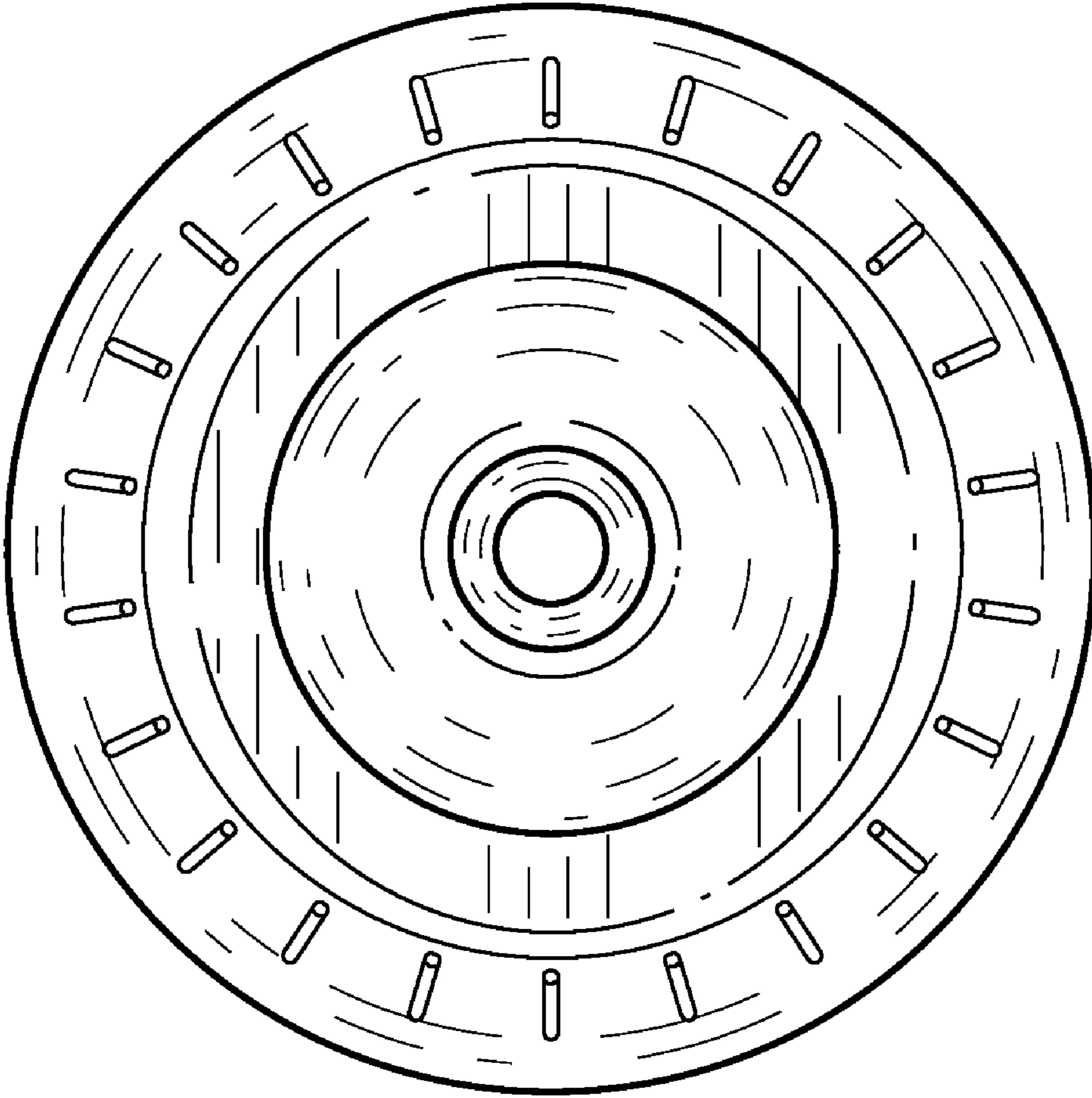


FIG. 4