



US00D617636S

(12) **United States Design Patent**  
**Vanhoutte**

(10) **Patent No.:** **US D617,636 S**  
(45) **Date of Patent:** **\*\* Jun. 15, 2010**

(54) **PACKAGING BOX**

(76) Inventor: **Guy Vanhoutte**, Hazenveld 7,  
Oudenaken (BE) 1600

(\*\*) Term: **14 Years**

(21) Appl. No.: **29/336,736**

(22) Filed: **May 8, 2009**

(30) **Foreign Application Priority Data**

Dec. 9, 2008 (EM) ..... 001060073

(51) **LOC (9) Cl.** ..... **09-03**

(52) **U.S. Cl.** ..... **D9/431; D9/420**

(58) **Field of Classification Search** ..... D7/300,  
D7/300.1, 312, 316, 318, 354, 356, 360, 376,  
D7/380, 392.1, 394, 396.2, 396.6, 397, 500,  
D7/501, 503, 505, 507, 523, 532, 535, 538,  
D7/540-555, 557, 558, 560-562, 565, 566,  
D7/570-571, 584-588, 601-602, 611, 624.1,  
D7/629-630, 642, 669, 682-383, 686, 688,  
D7/701; D6/339, 406.1-406.6, 419, 429,  
D6/430; D9/340, 414-418, 420, 422-426,  
D9/428-433, 456-457, 499, 500, 502, 655-657,  
D9/702-703, 737, 749, 755, 761, 769, 772,  
D9/901, 902; D11/152, 154, 155, 156; D12/133,  
D12/416, 419, 426.1; D14/157, 447, 457;  
D19/35; D24/132, 216, 220, 221, 224, 227;  
D26/121; D30/123, 129-130; 220/23.83,  
220/212, 506, 555, 560, 561, 574-575, 577,  
220/657; 206/561, 565; 425/459, 623; 426/106,  
426/119, 120, 127

See application file for complete search history.

(56) **References Cited**

**U.S. PATENT DOCUMENTS**

D101,608 S \* 10/1936 Ansehl ..... D9/431  
D201,399 S 6/1965 Shiffman  
D217,328 S \* 4/1970 Bixler ..... D9/425  
D217,329 S \* 4/1970 Bixler et al. .... D9/425  
3,795,360 A \* 3/1974 Bianchi et al. .... 220/786

D254,414 S \* 3/1980 Gajewski ..... D6/471  
4,245,771 A \* 1/1981 Christian ..... 229/112  
D259,615 S \* 6/1981 Morris, Jr. .... D7/605  
D322,571 S 12/1991 Groves  
D329,377 S 9/1992 Contelli et al.  
D334,886 S 4/1993 Contelli et al.  
5,522,538 A \* 6/1996 Gray ..... 229/112  
D386,079 S 11/1997 Harper  
D425,415 S 5/2000 Kumakura et al.  
D439,840 S \* 4/2001 Saulas ..... D9/431  
D452,154 S \* 12/2001 Rhodes et al. .... D9/432  
D461,124 S 8/2002 Ma  
D469,692 S 2/2003 Meeker et al.  
D491,061 S \* 6/2004 Bouroullec et al. .... D9/431  
D506,867 S \* 7/2005 Galan ..... D3/273  
D507,484 S 7/2005 Kumakura et al.  
D509,728 S 9/2005 Kato  
D518,370 S 4/2006 Vanhoutte  
D519,366 S \* 4/2006 Epstein ..... D9/431  
D558,572 S 1/2008 Andre et al.  
D562,126 S \* 2/2008 Kienemund-Paroll ..... D9/418  
D577,579 S \* 9/2008 Lymn et al. .... D9/426  
D583,226 S 12/2008 Vanhoutte  
D583,660 S \* 12/2008 Steiger et al. .... D9/432  
D590,248 S \* 4/2009 Mu et al. .... D9/418  
D591,148 S \* 4/2009 Parikh et al. .... D9/425  
2001/0017315 A1 \* 8/2001 Baroudi ..... 229/148  
2006/0289551 A1 \* 12/2006 Vanhoutte ..... 220/810  
2009/0008389 A1 \* 1/2009 Vanhoutte ..... 220/7

\* cited by examiner

*Primary Examiner*—Jeffrey D Asch

*Assistant Examiner*—Bridget L Eland

(74) *Attorney, Agent, or Firm*—Wolf, Greenfield & Sacks,  
P.C.

(57) **CLAIM**

The ornamental design for a packaging box, as shown and described.

**DESCRIPTION**

FIG. 1 is a top, front, right side perspective view of a first embodiment of the packaging box;

FIG. 2 is a front elevational view of the embodiment of FIG. 1;

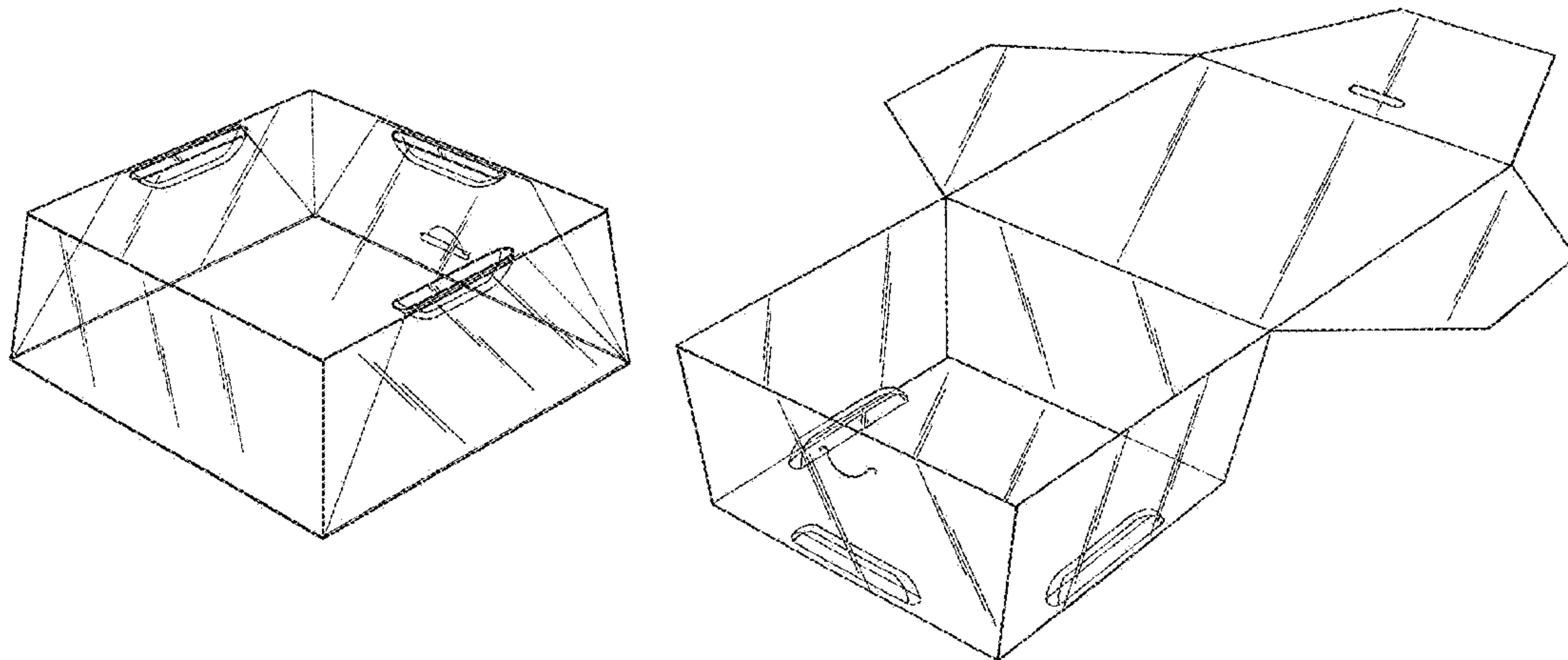


FIG. 3 is a rear elevational view of the embodiment of FIG. 1;  
FIG. 4 is a left side elevational view of the embodiment of FIG. 1, the right side elevational view being a mirror image thereof ;

FIG. 5 is a top plan view of the embodiment of FIG. 1;

FIG. 6 is a bottom plan view of the embodiment of FIG. 1;

FIG. 7 is a bottom, rear, right side perspective view of the embodiment of FIG. 1 shown in an open position, and each of the additional embodiments described below open in the same manner;

FIG. 8 is a top, front, right side perspective view of a second embodiment of the packaging box;

FIG. 9 is a front elevational view of the embodiment of FIG. 8;

FIG. 10 is a rear elevational view of the embodiment of FIG. 8;

FIG. 11 is a left side elevational view of the embodiment of FIG. 8, the right side elevational view being a mirror image thereof ;

FIG. 12 is a top plan view of the embodiment of FIG. 8;

FIG. 13 is a bottom plan view of the embodiment of FIG. 8;

FIG. 14 is a top, front, right side perspective view of a third embodiment of the packaging box;

FIG. 15 is a front elevational view of the embodiment of FIG. 14;

FIG. 16 is a rear elevational view of the embodiment of FIG. 14;

FIG. 17 is a left side elevational view of the embodiment of FIG. 14, the right side elevational view being a mirror image thereof ;

FIG. 18 is a top plan view of the embodiment of FIG. 14;

FIG. 19 is a bottom plan view of the embodiment of FIG. 14;

FIG. 20 is a top, front, right side perspective view of a fourth embodiment of the packaging box;

FIG. 21 is a front elevational view of the embodiment of FIG. 20;

FIG. 22 is a rear elevational view of the embodiment of FIG. 20;

FIG. 23 is a left side elevational view of the embodiment of FIG. 20, the right side elevational view being a mirror image thereof ;

FIG. 24 is a top plan view of the embodiment of FIG. 20;

FIG. 25 is a bottom plan view of the embodiment of FIG. 20;

FIG. 26 is a top, front, right side perspective view of a fifth embodiment of the packaging box;

FIG. 27 is a front elevational view of the embodiment of FIG. 26;

FIG. 28 is a rear elevational view of the embodiment of FIG. 26;

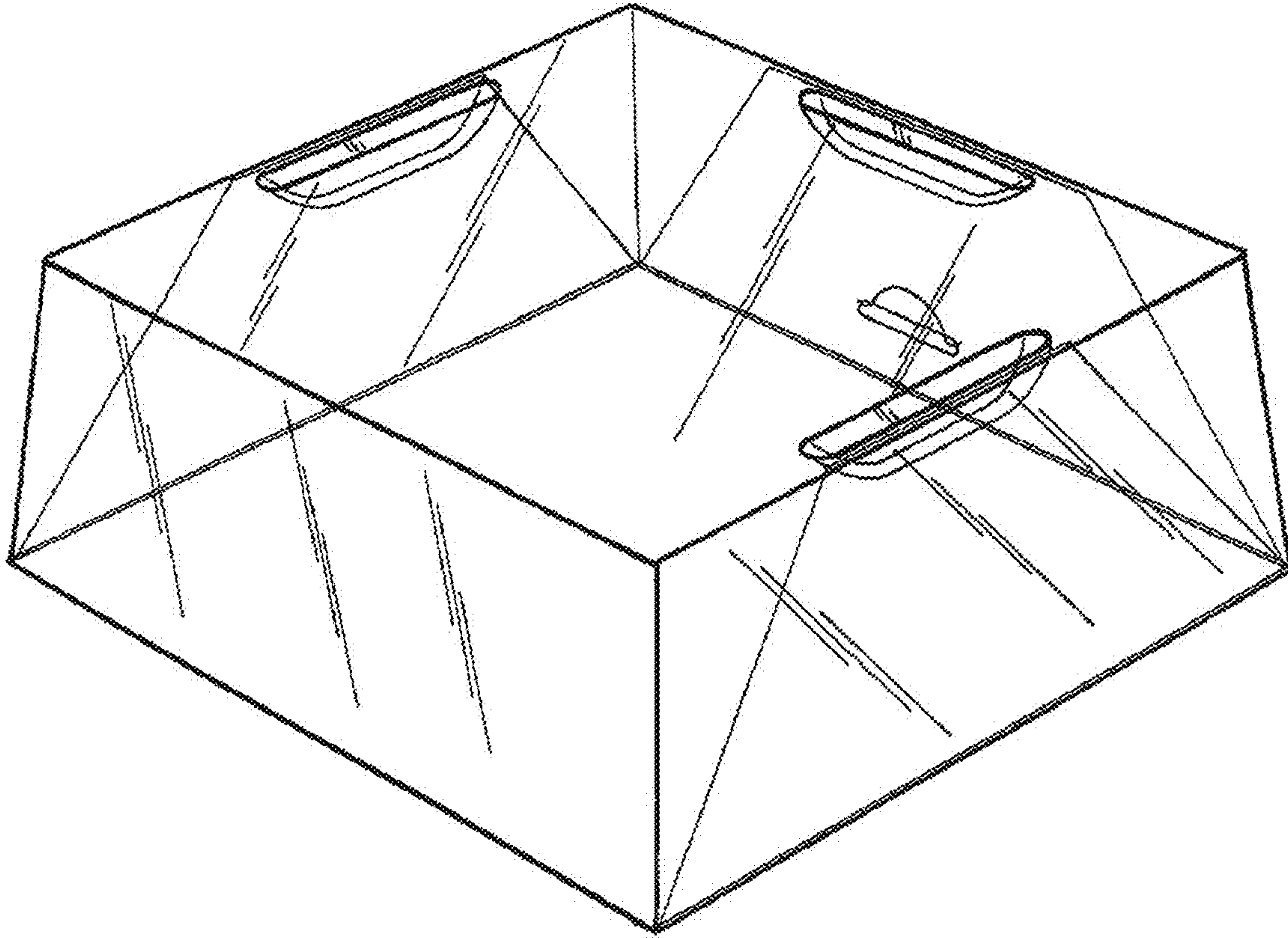
FIG. 29 is a left side elevational view of the embodiment of FIG. 26, the right side elevational view being a mirror image thereof ;

FIG. 30 is a top plan view of the embodiment of FIG. 26; and,

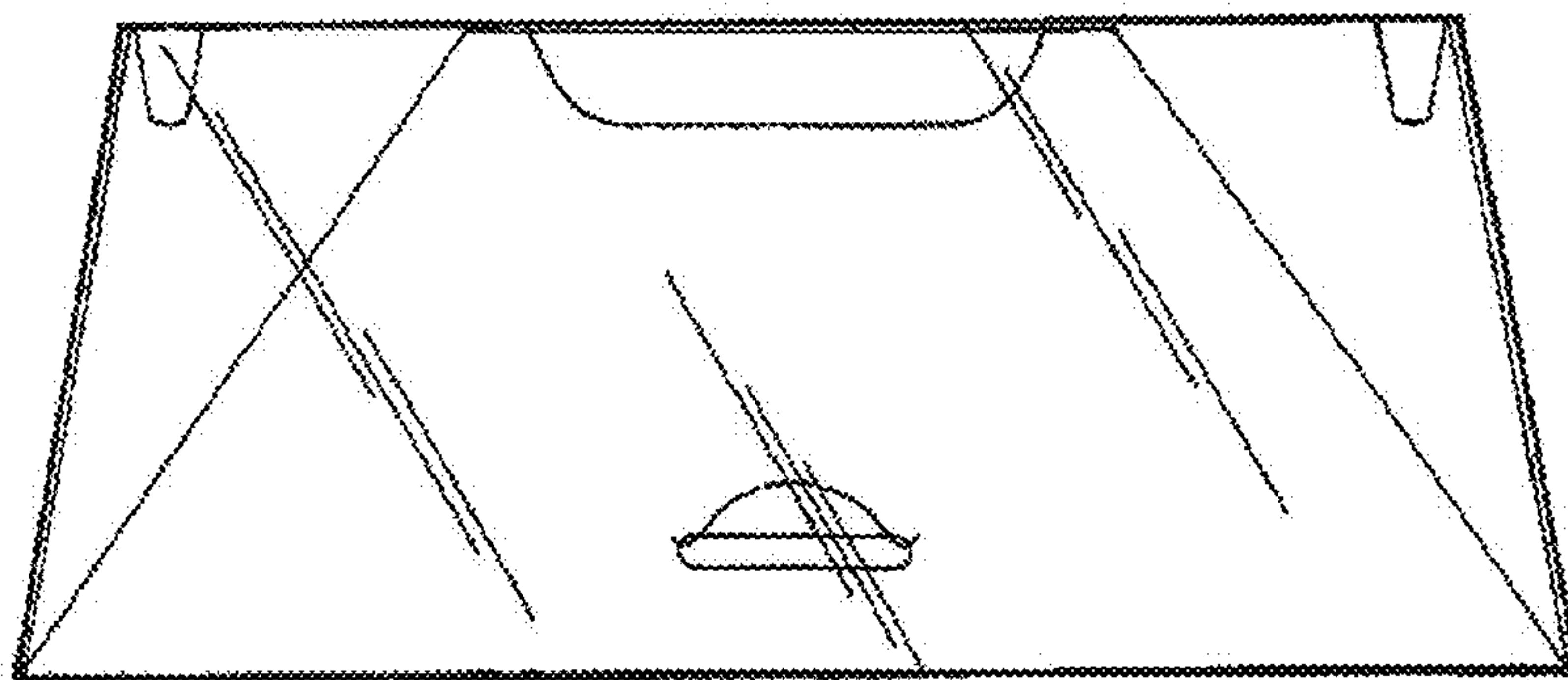
FIG. 31 is a bottom plan view of the embodiment of FIG. 26.

**1 Claim, 16 Drawing Sheets**

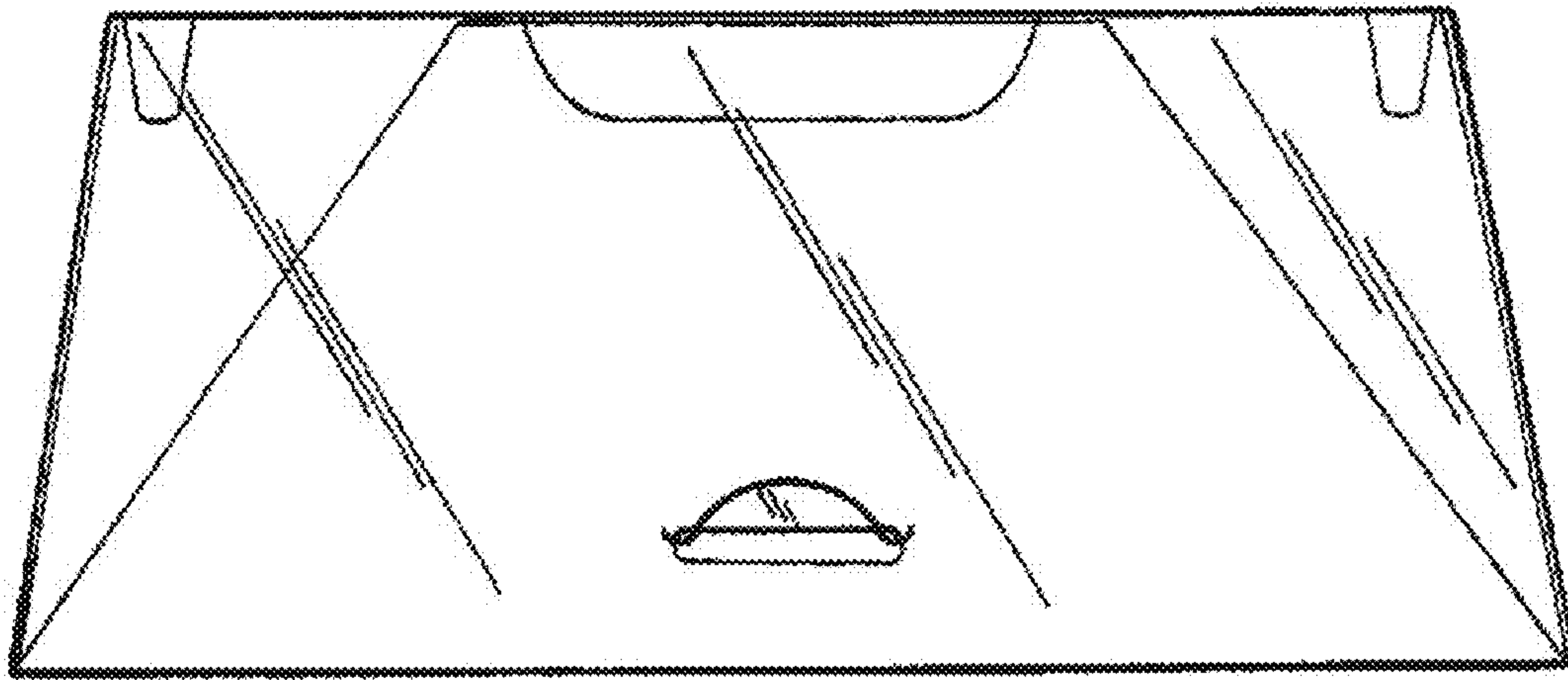




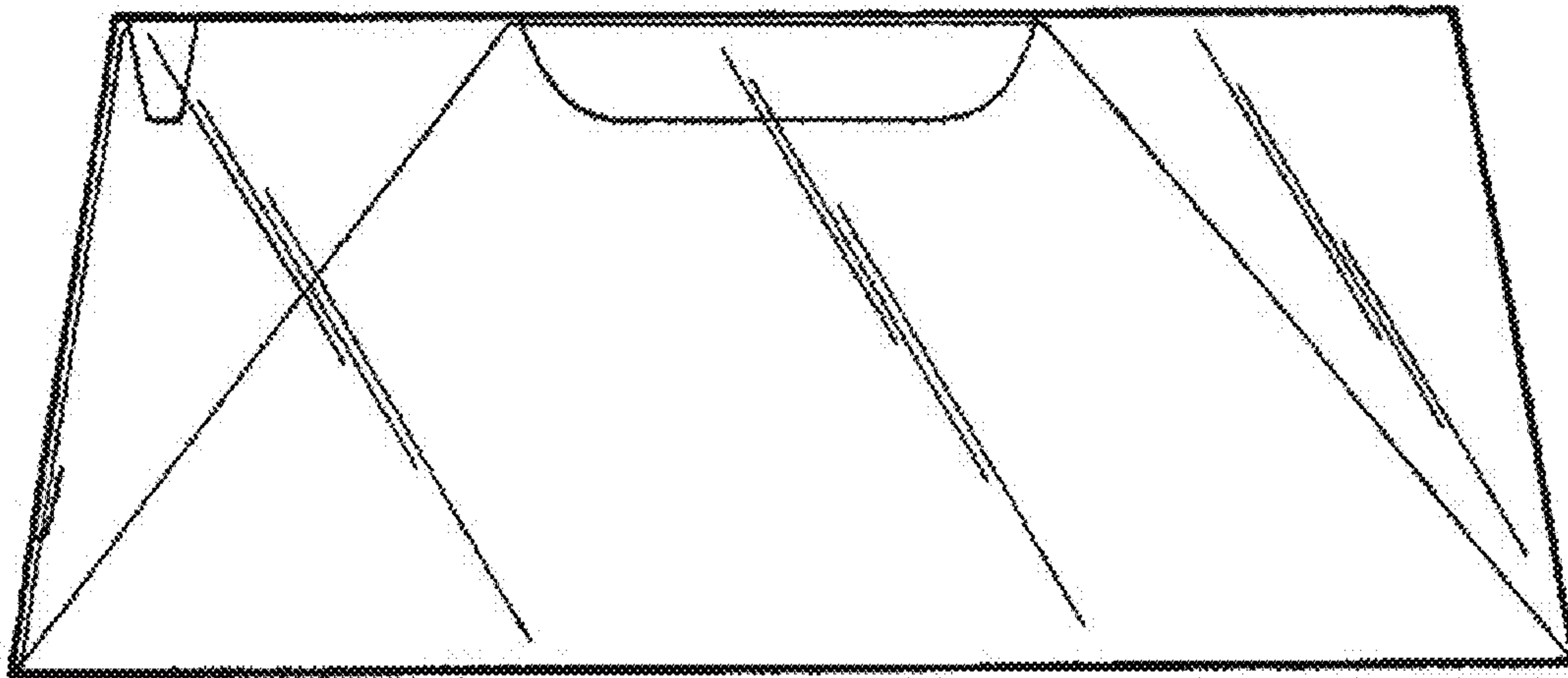
*Fig. 1*



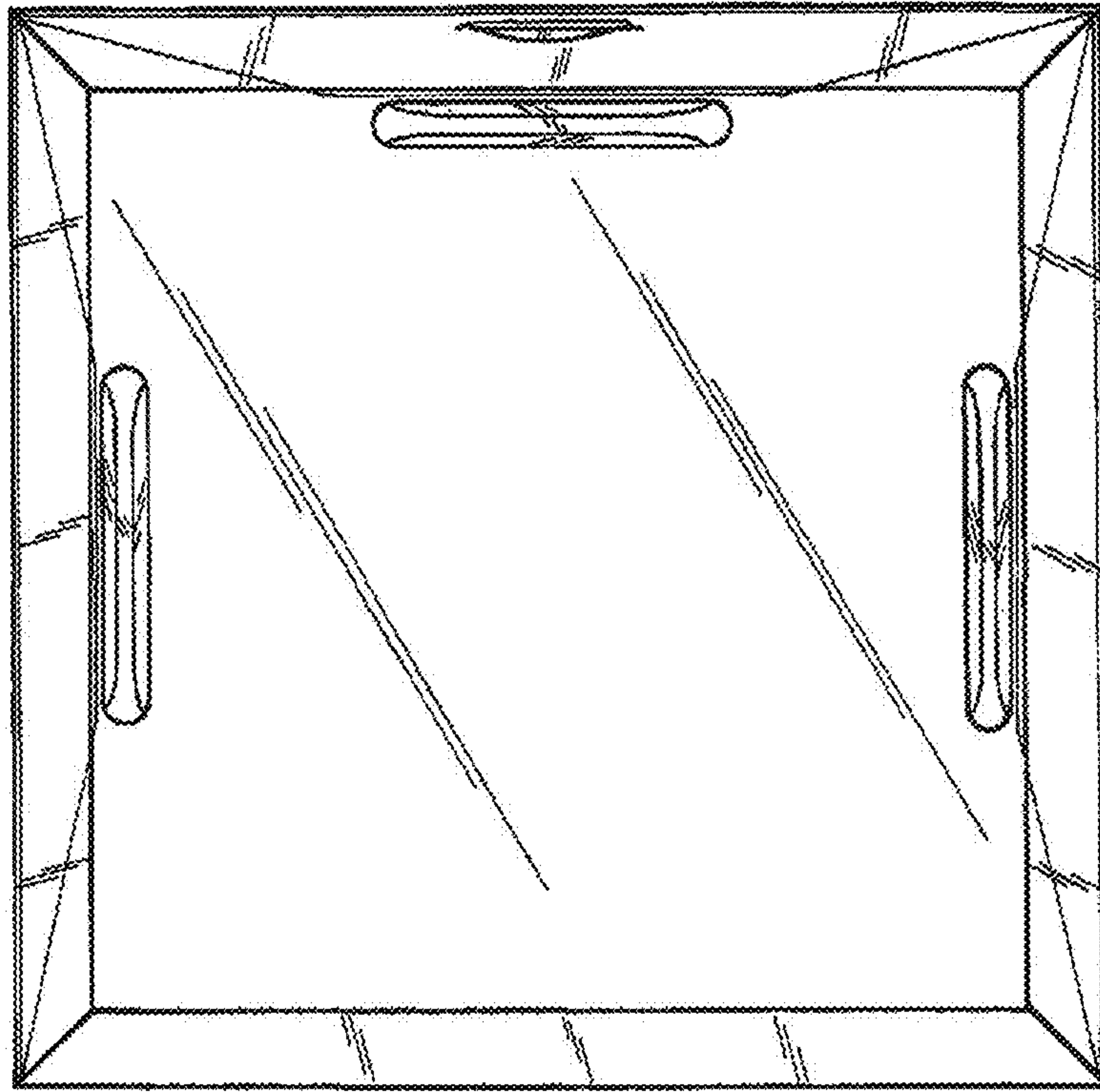
*Fig. 2*



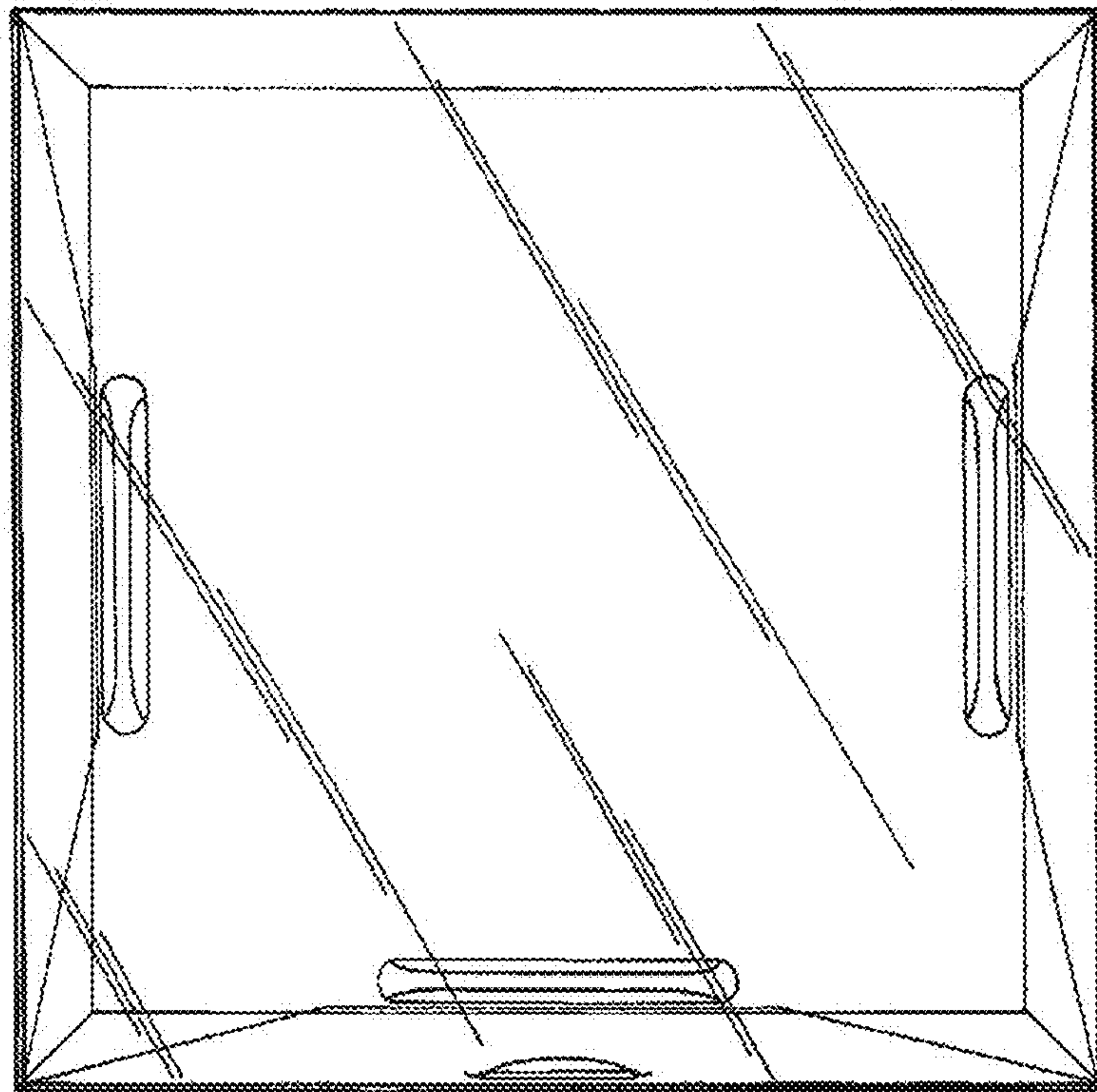
*Fig. 3*



*Fig. 4*



*Fig. 5*



*Fig. 6*



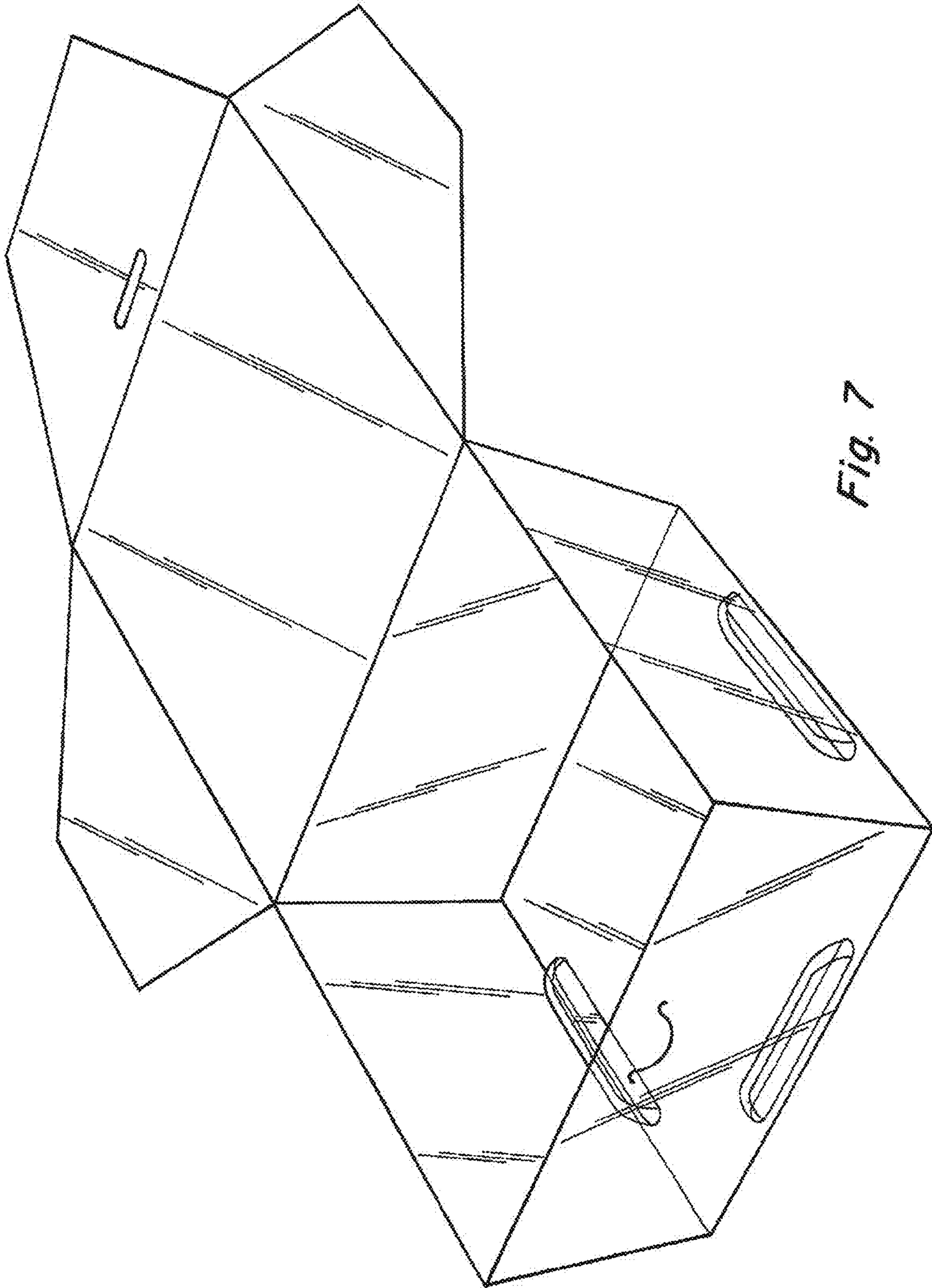
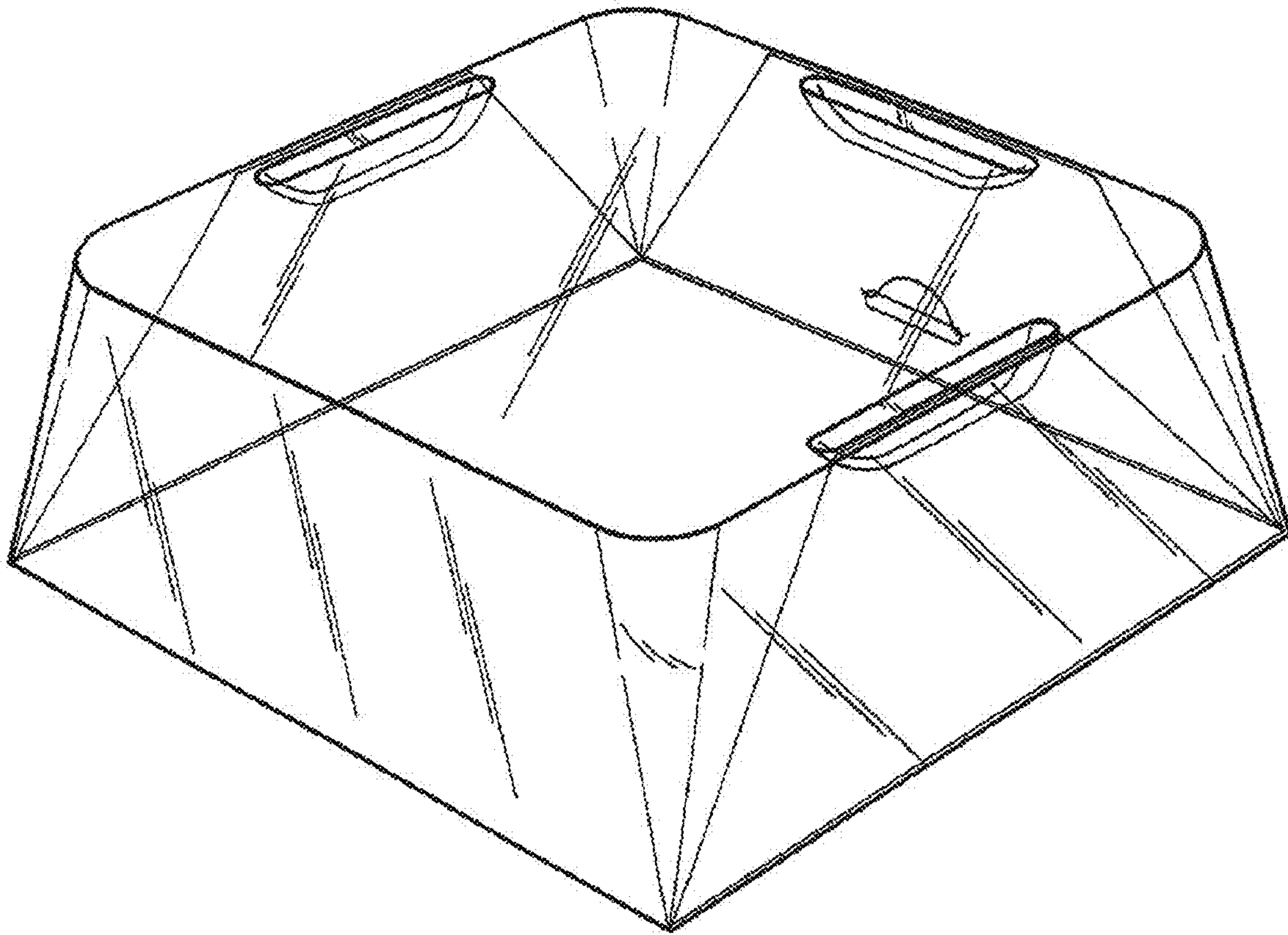
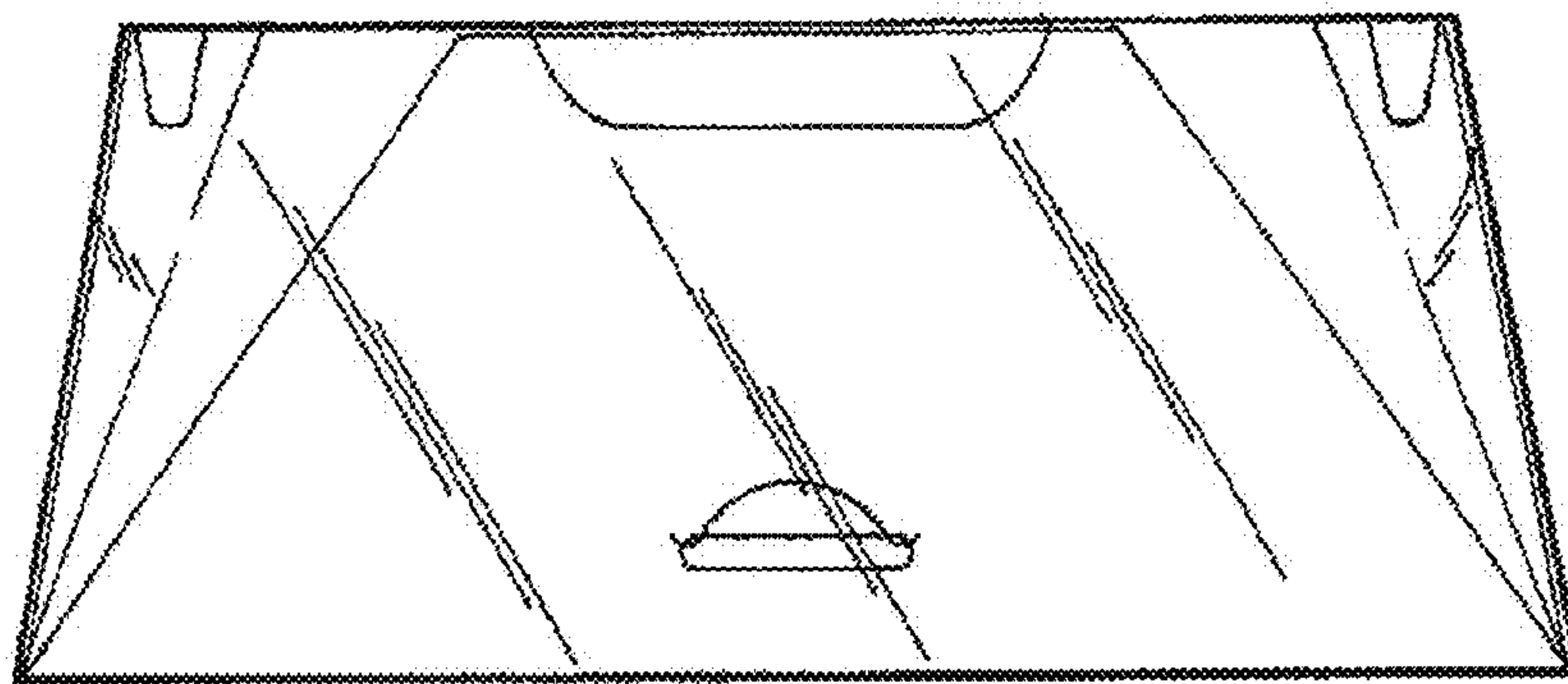


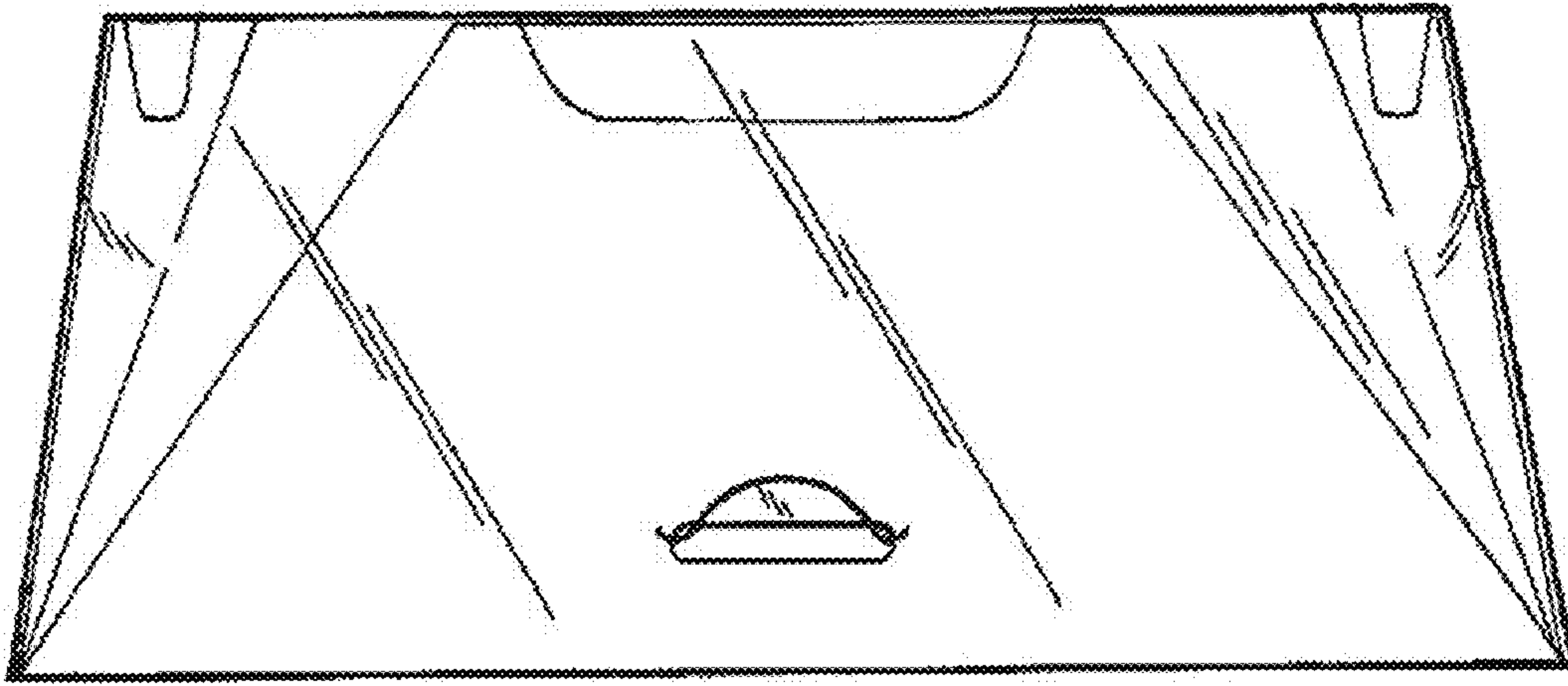
Fig. 7



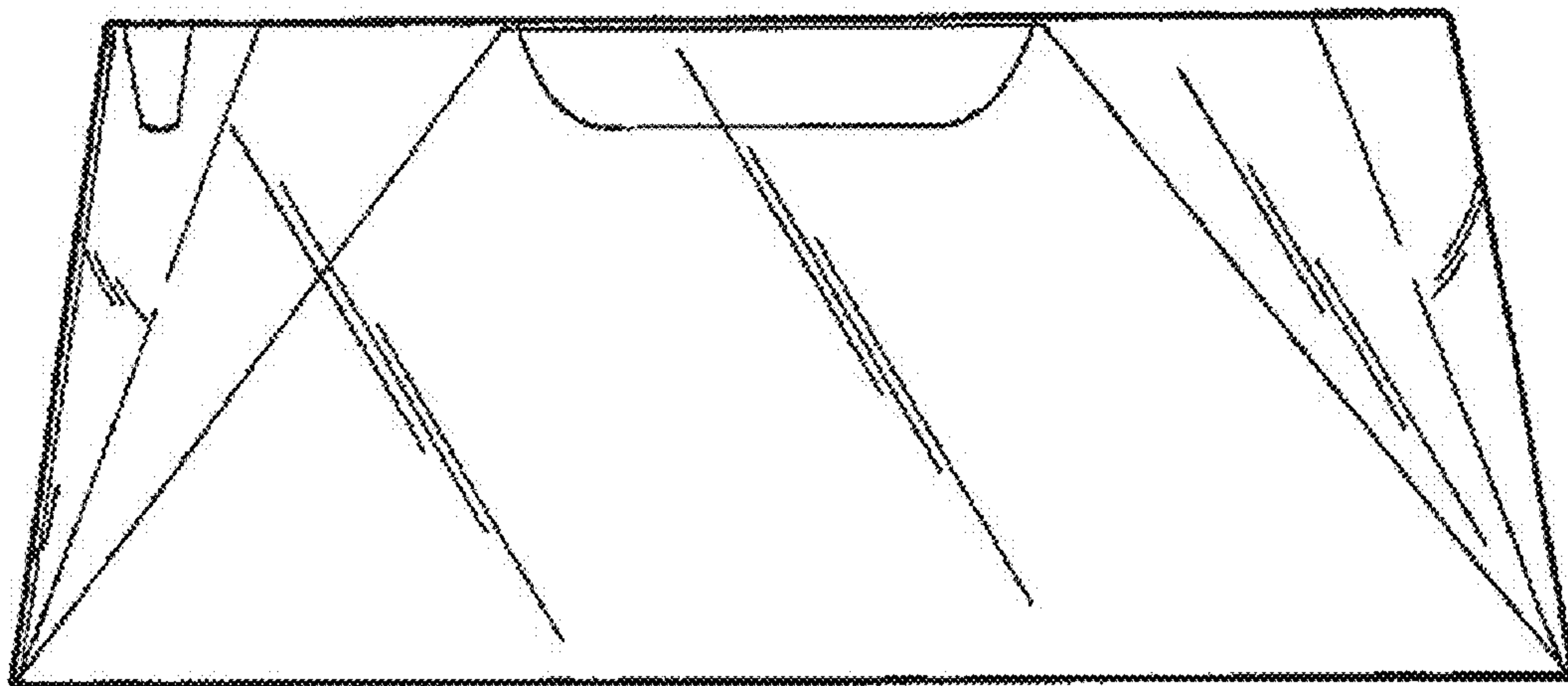
*Fig. 8*



*Fig. 9*

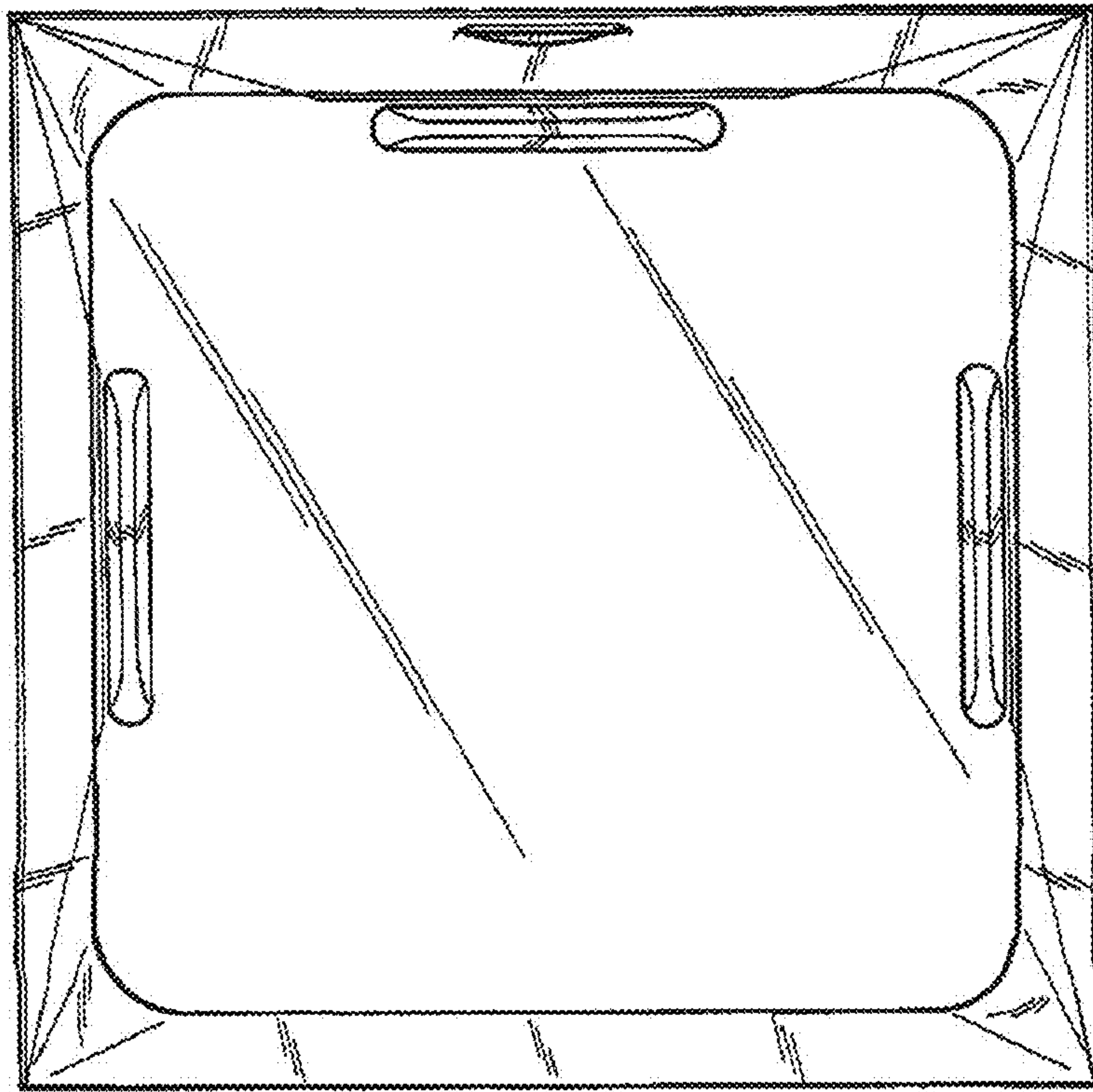


*Fig. 10*

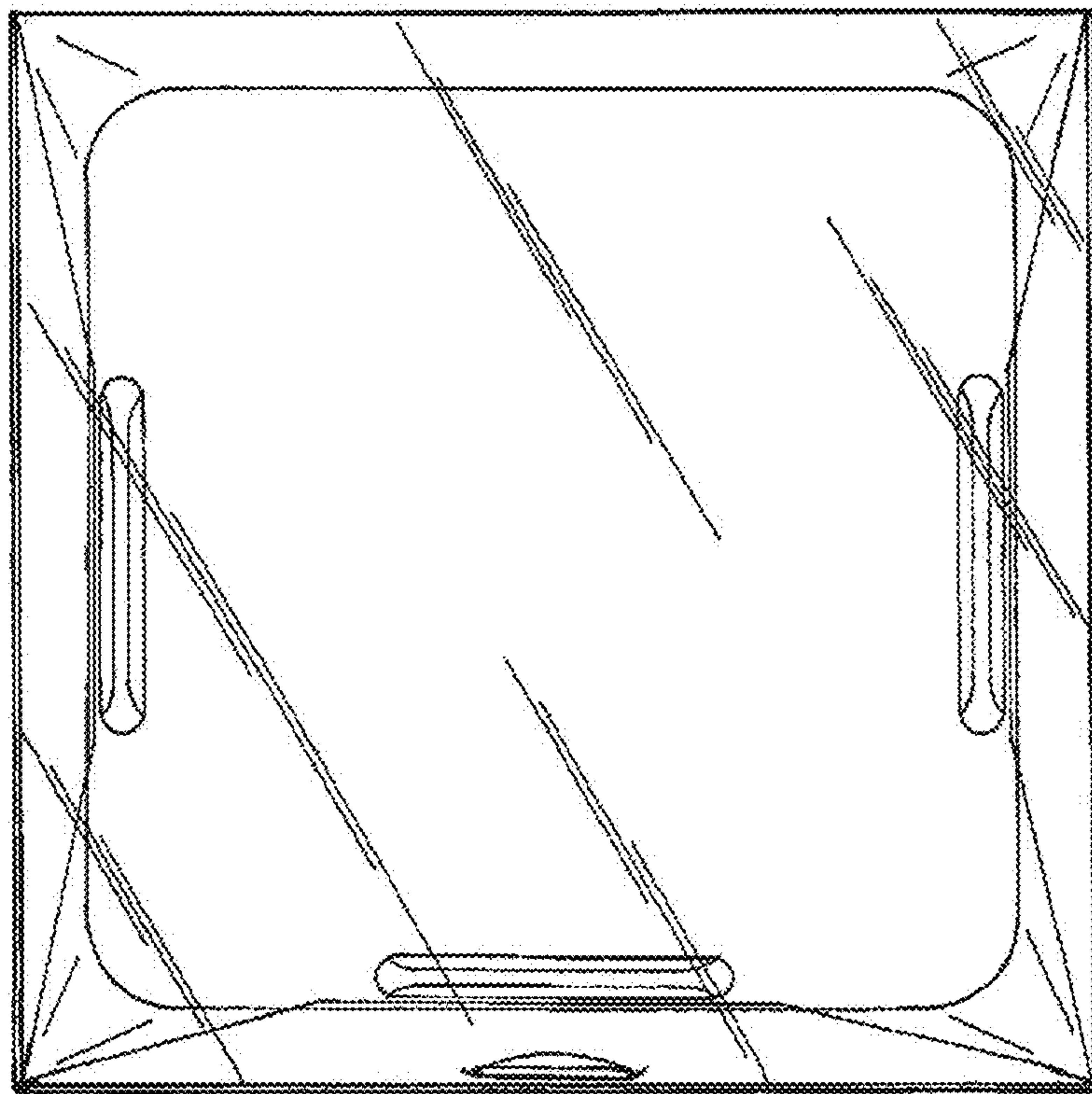


*Fig. 11*

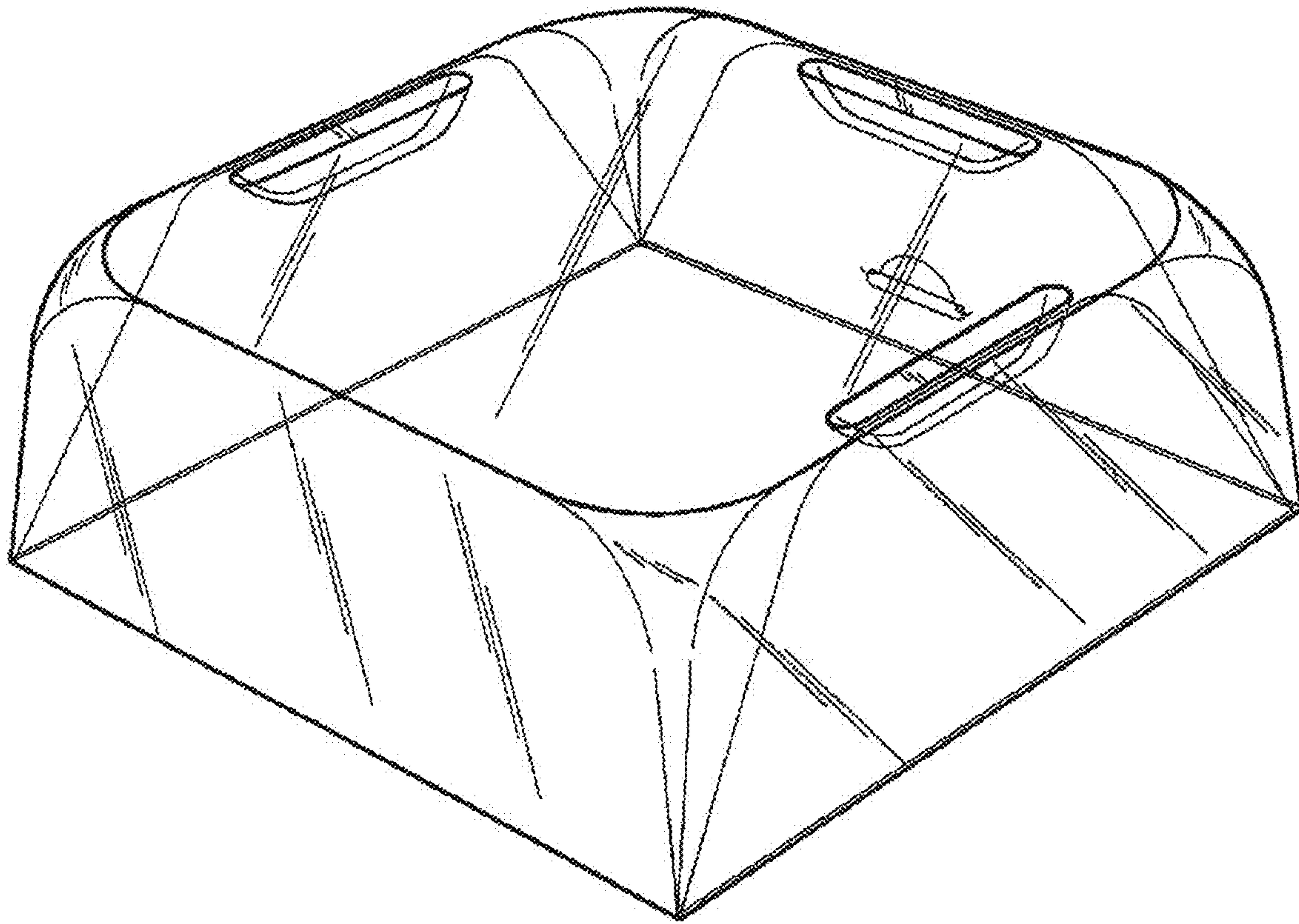




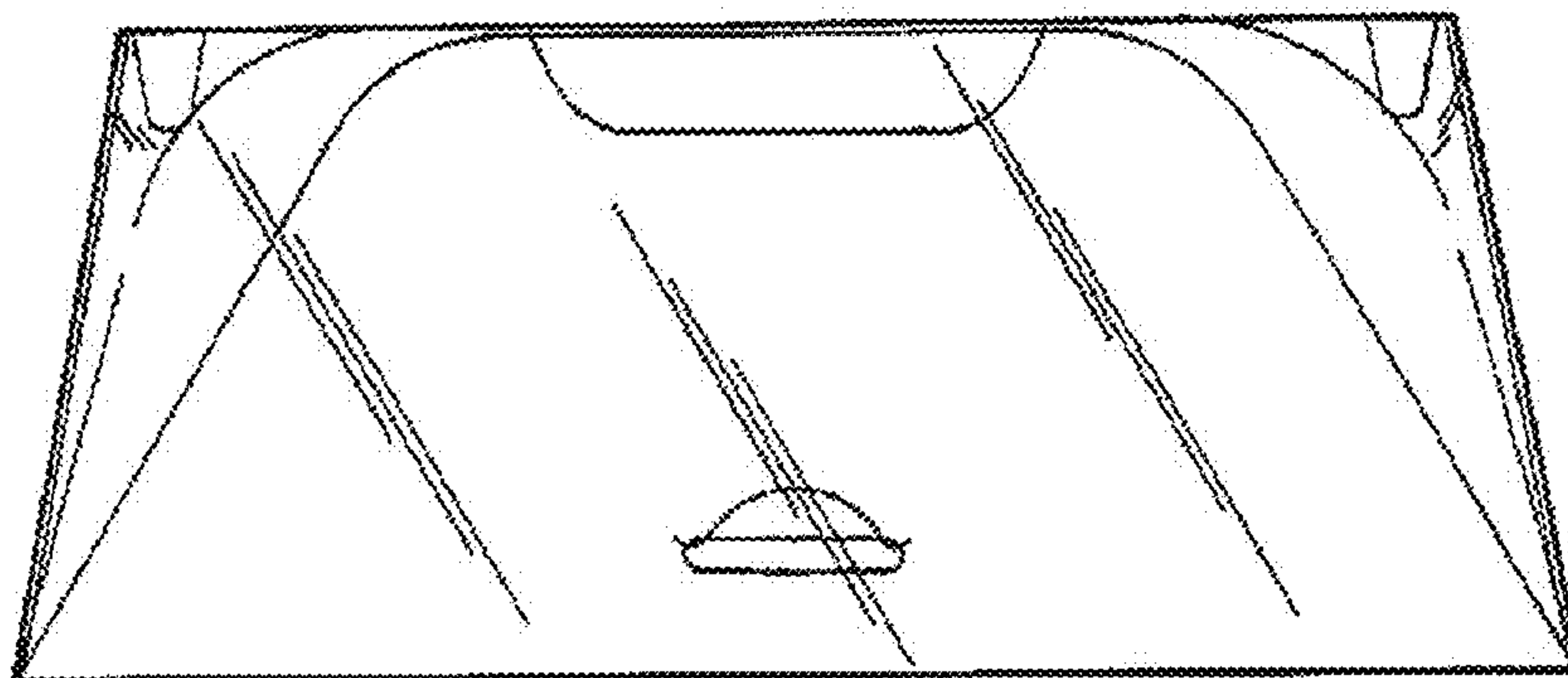
*Fig. 12*



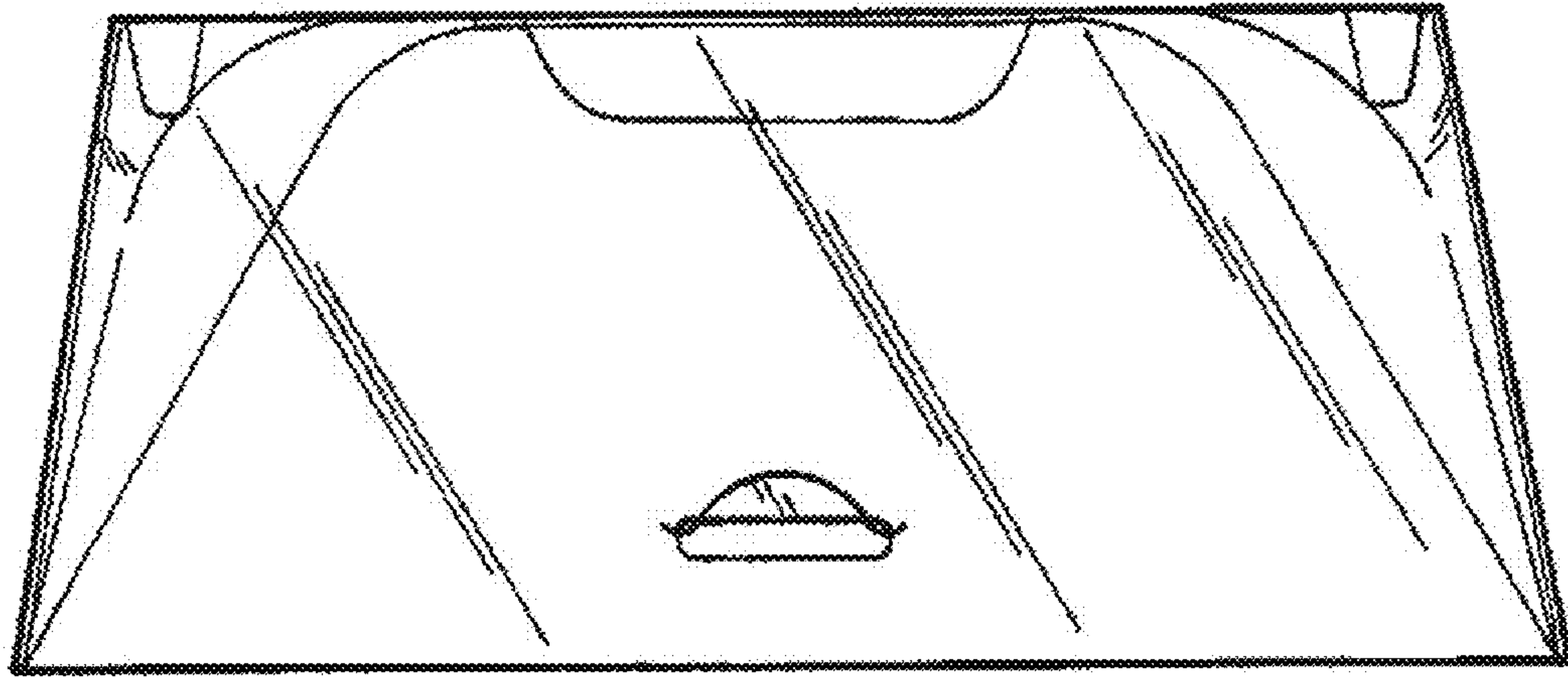
*Fig. 13*



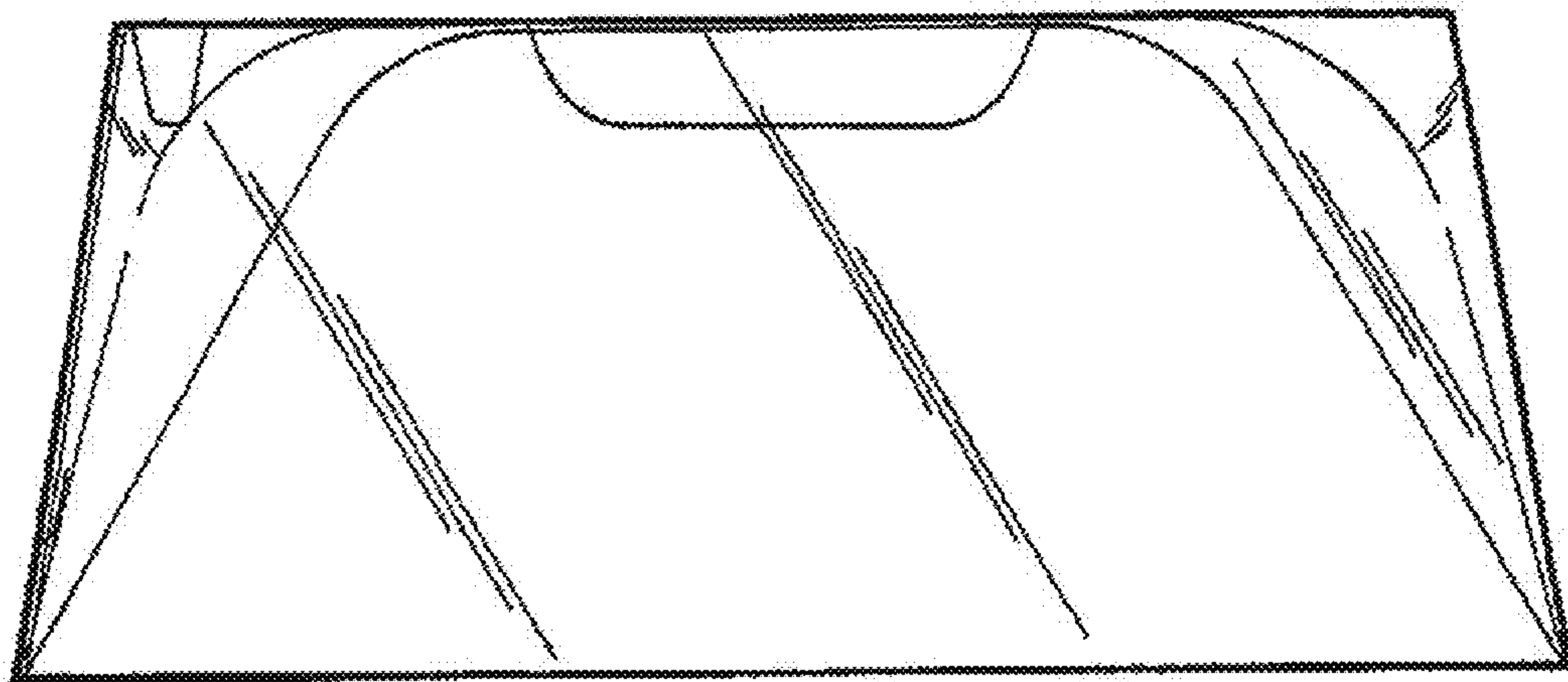
*Fig. 14*



*Fig. 15*

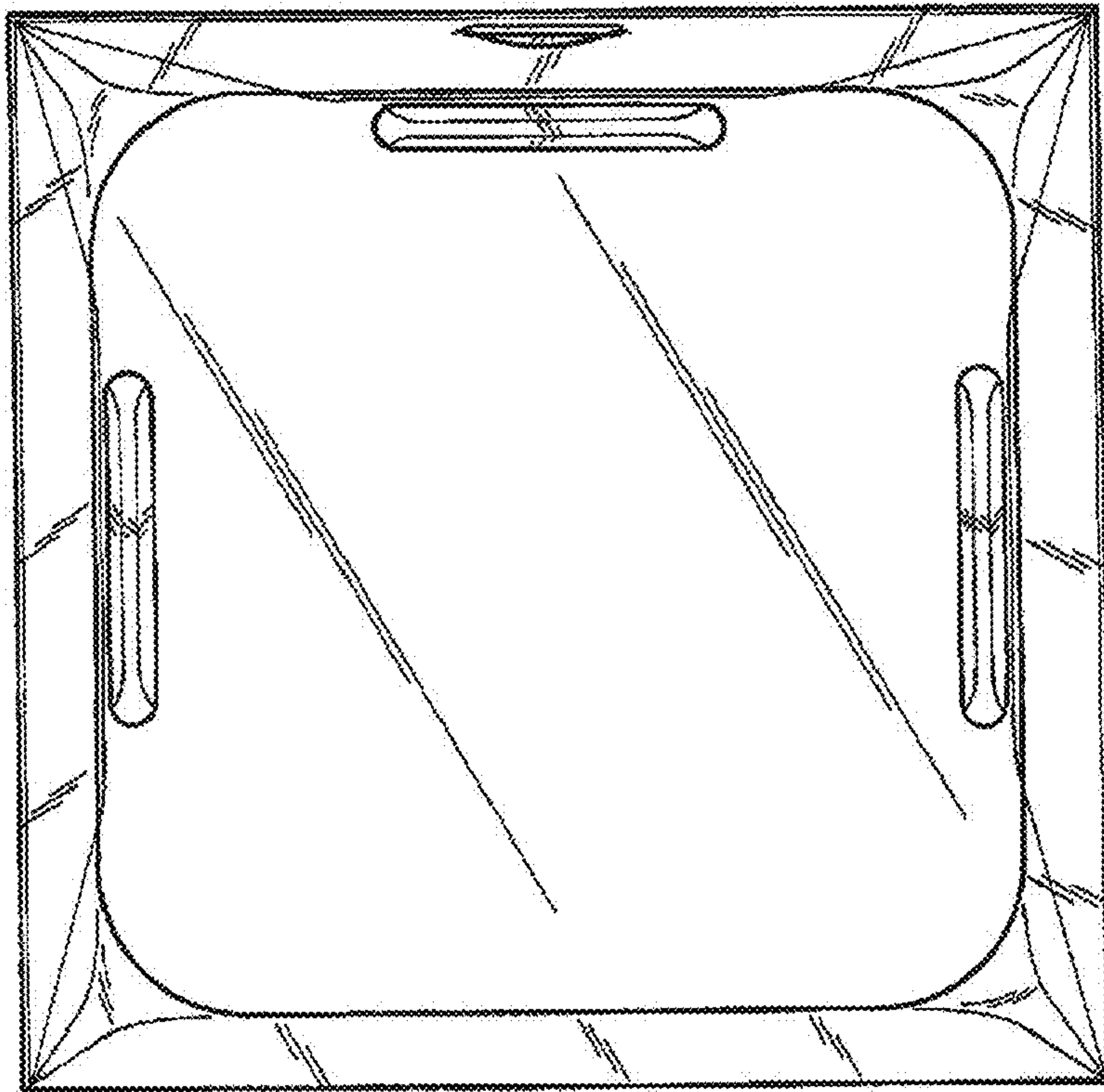


*Fig. 16*

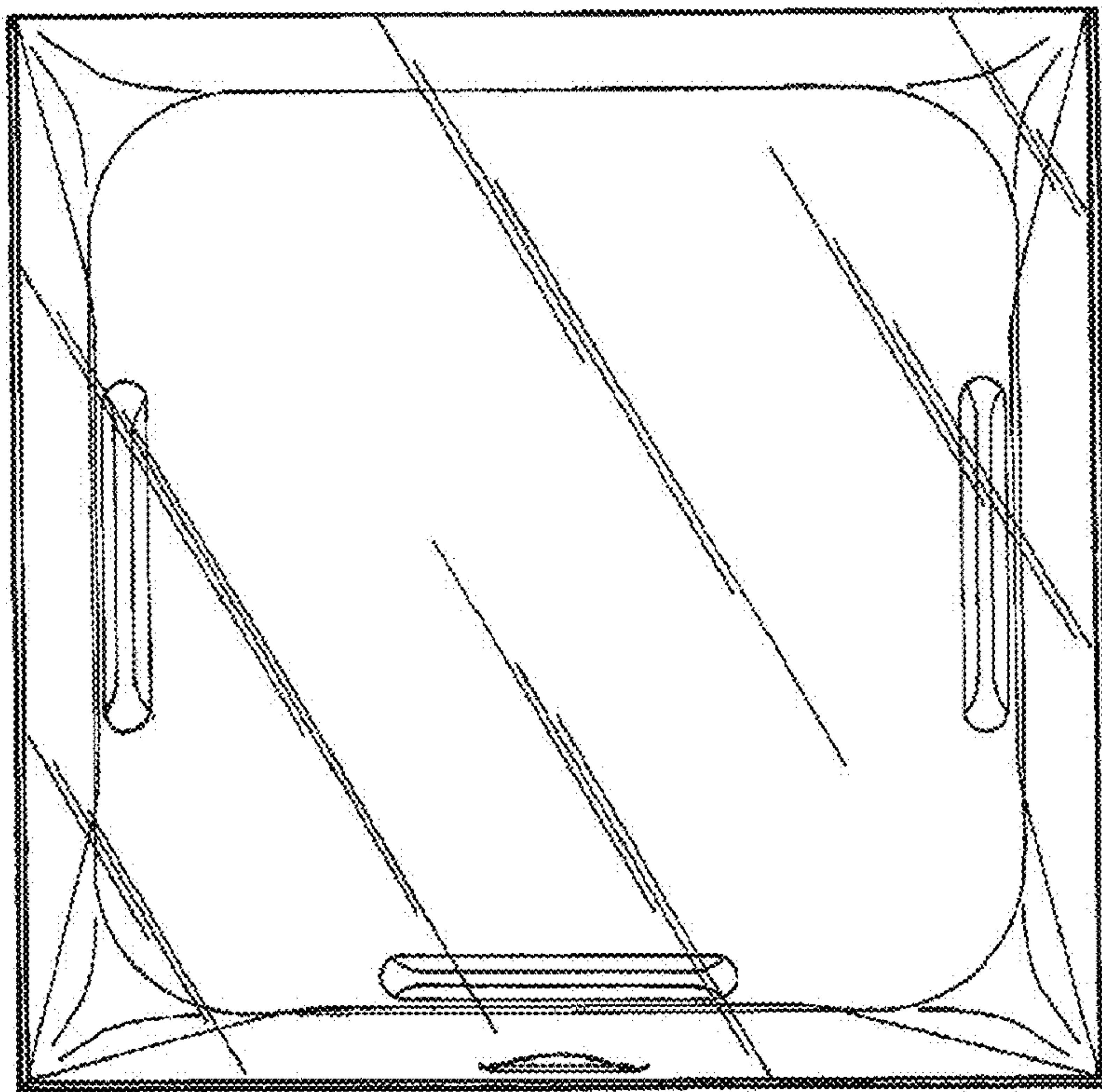


*Fig. 17*

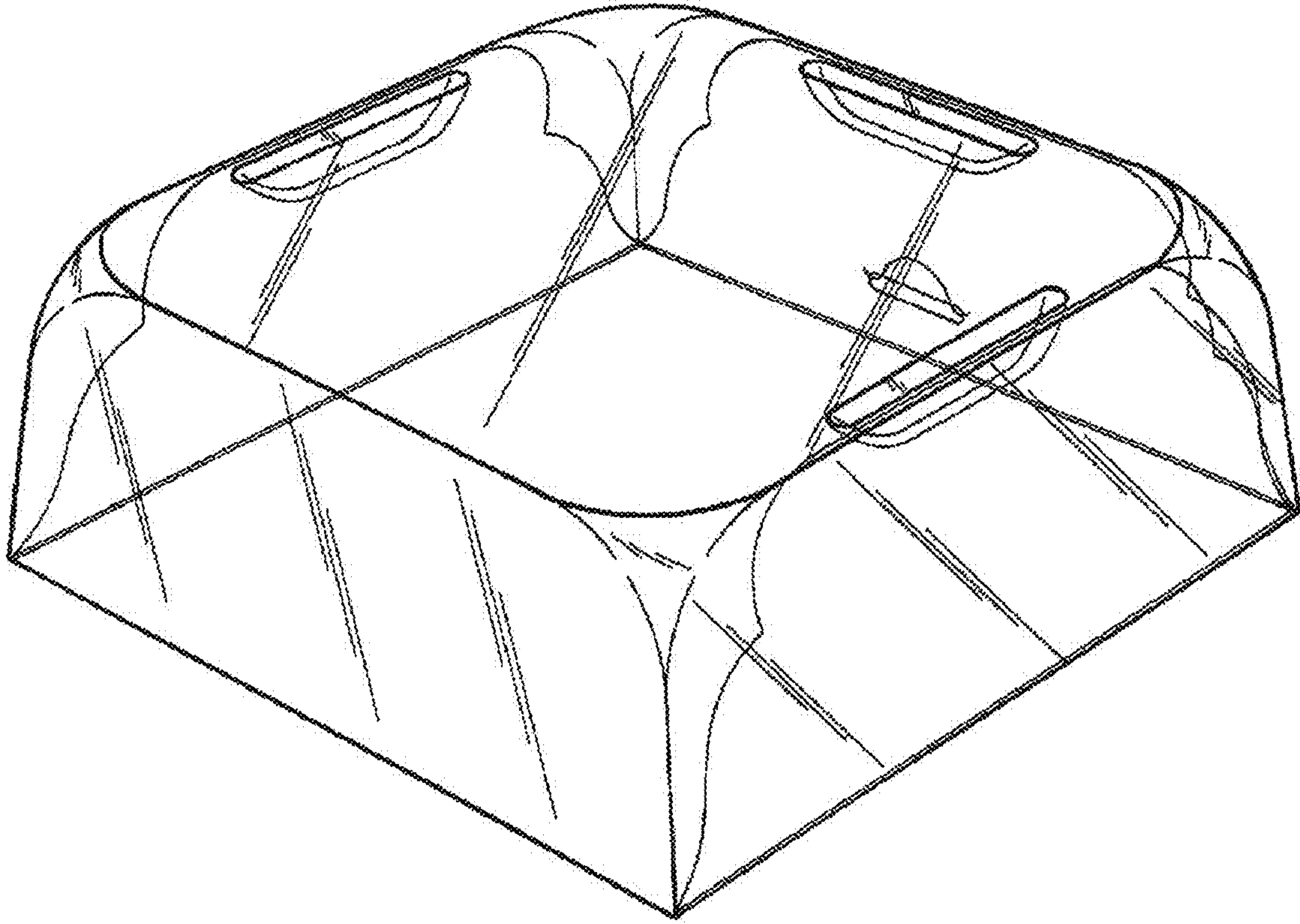




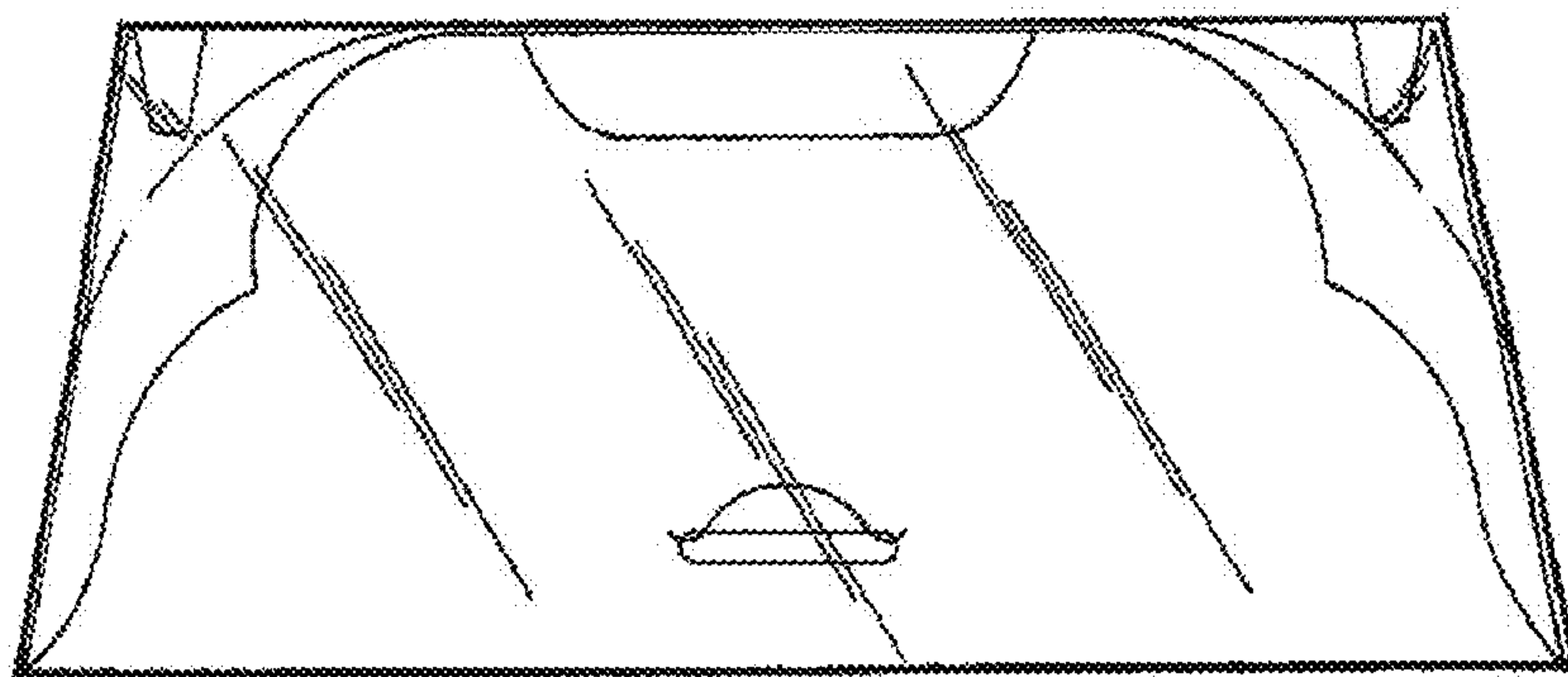
*Fig. 18*



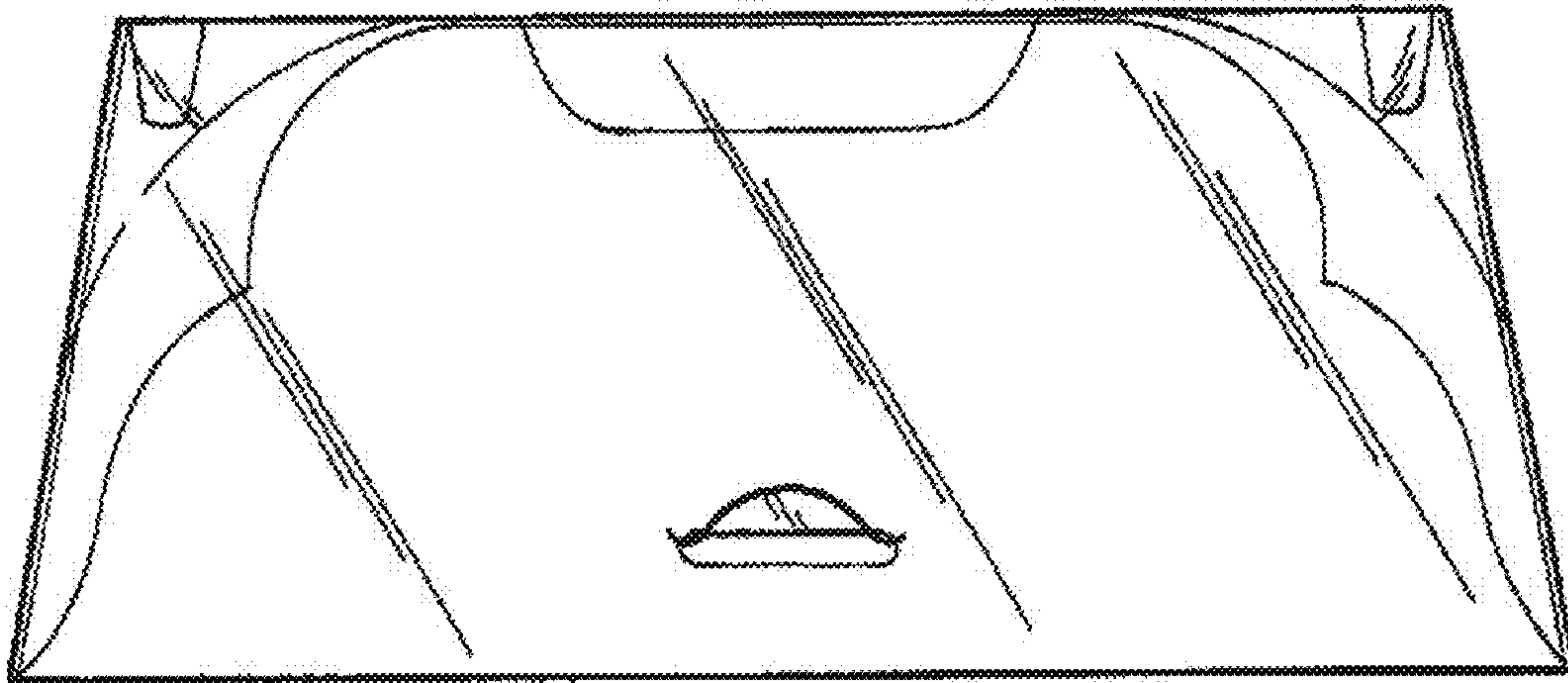
*Fig. 19*



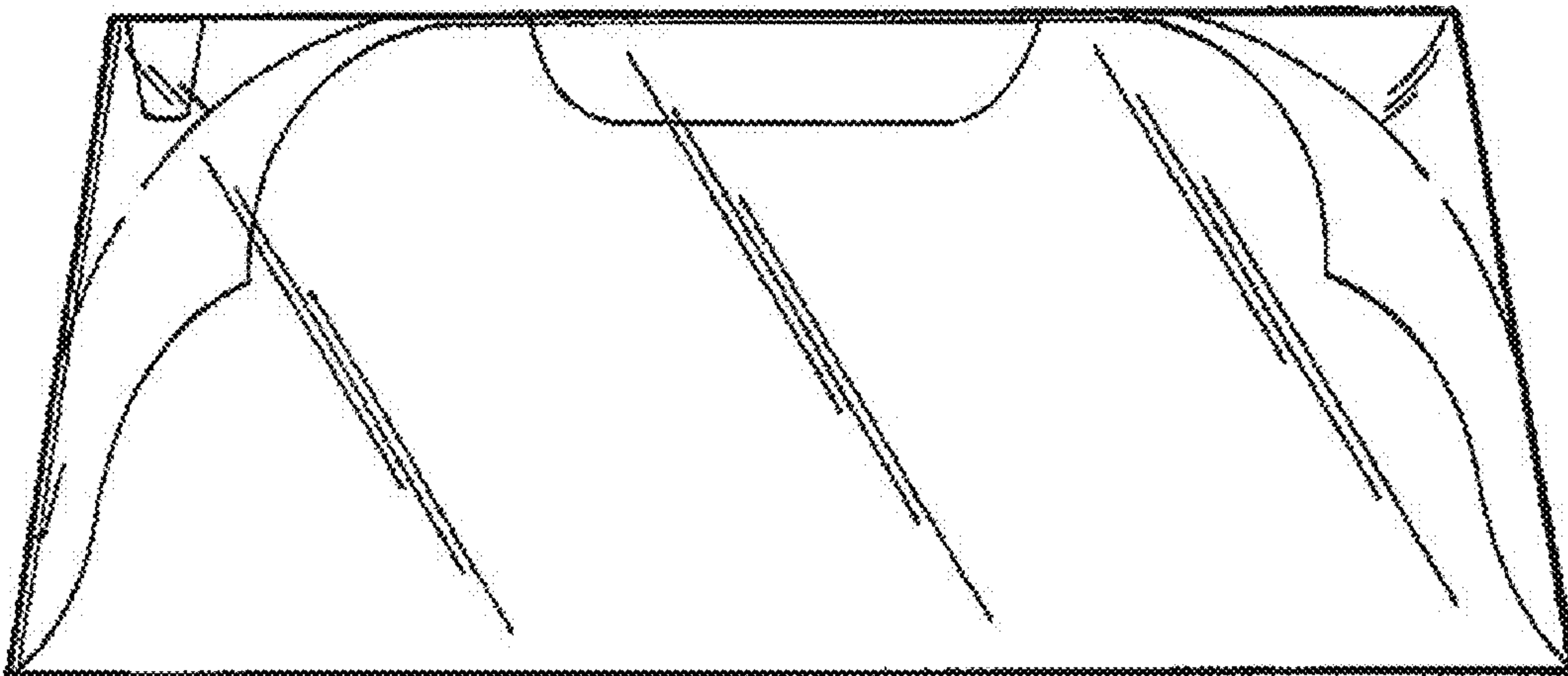
*Fig. 20*



*Fig. 21*

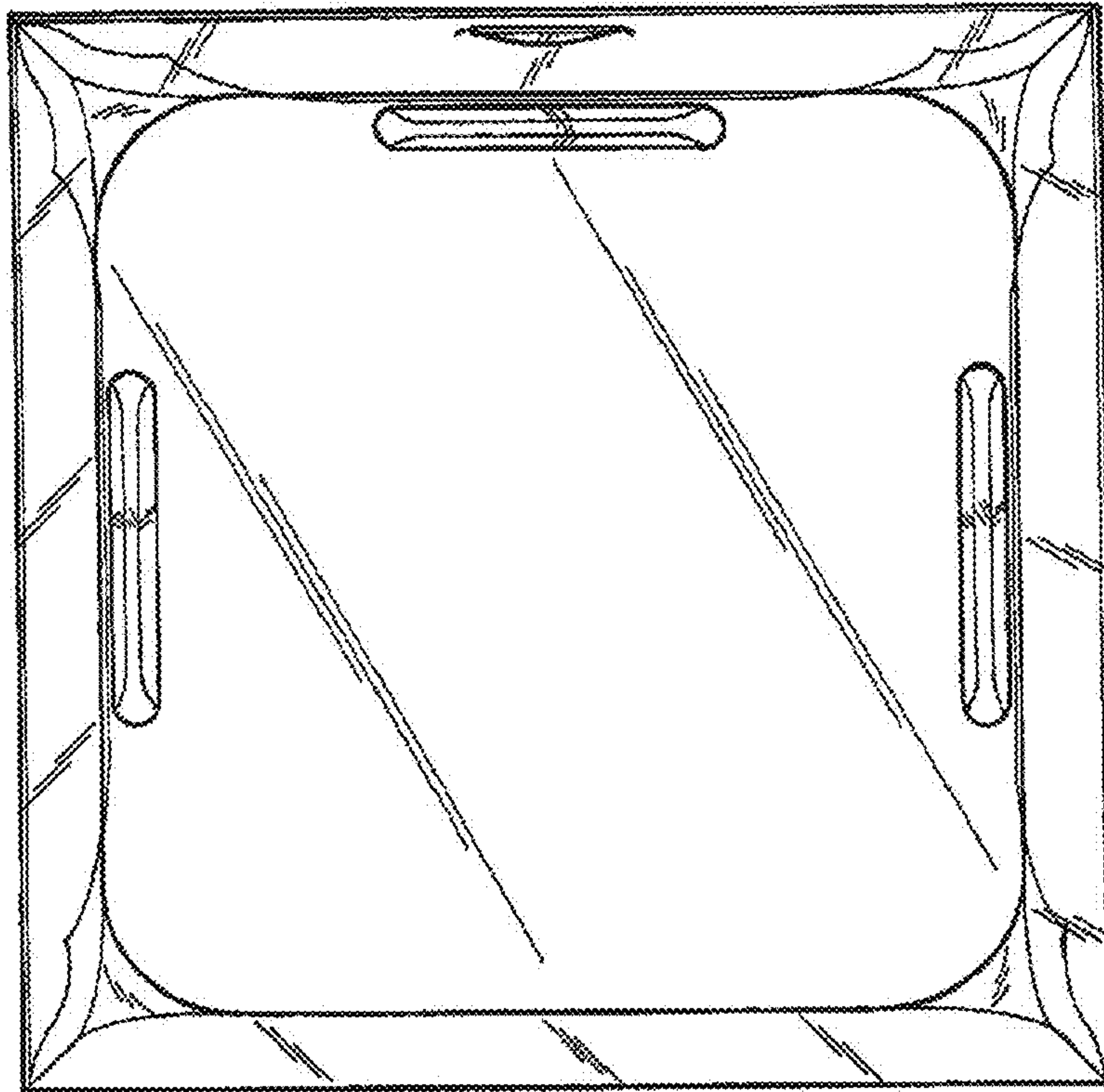


*Fig. 22*

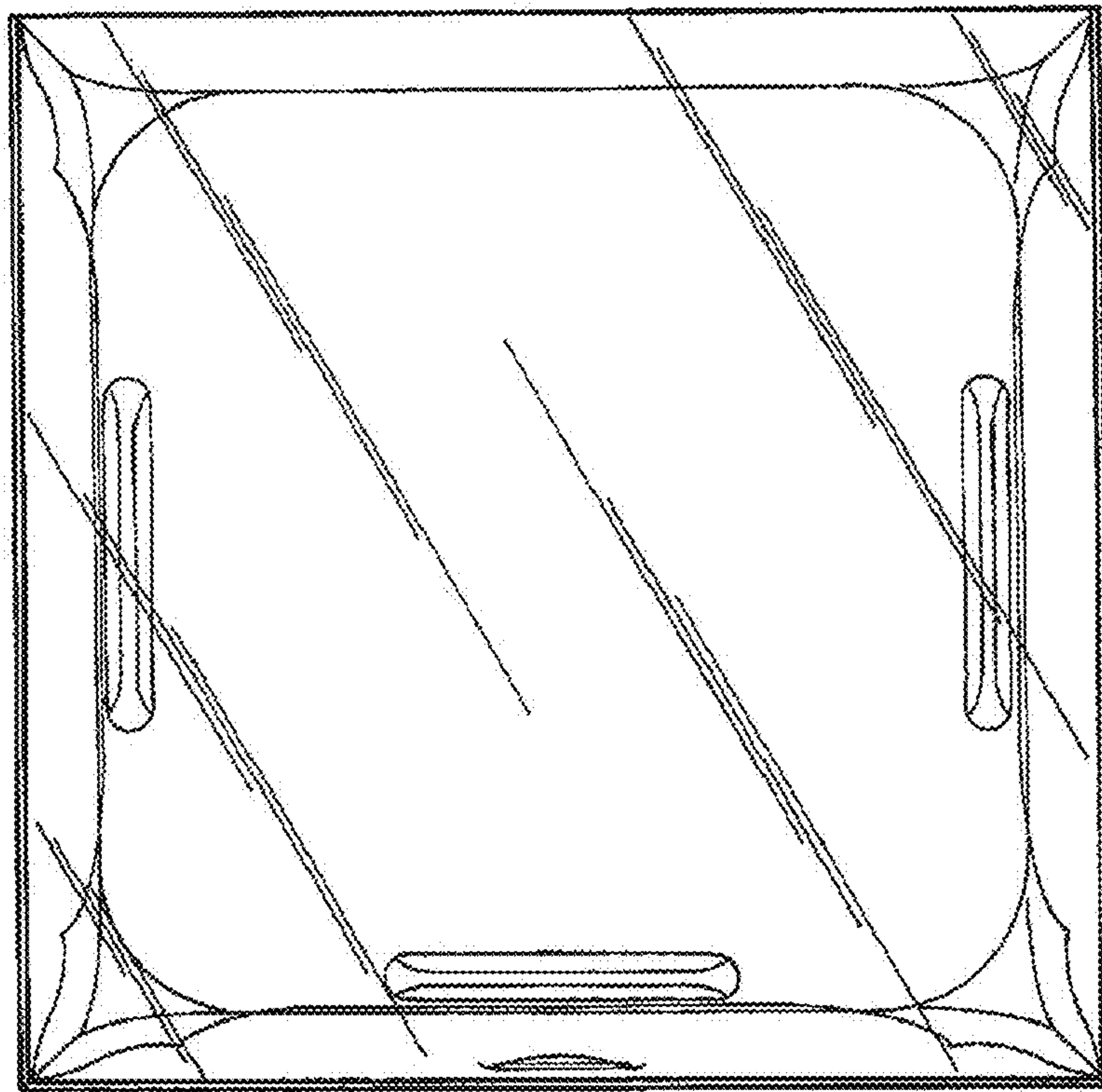


*Fig. 23*

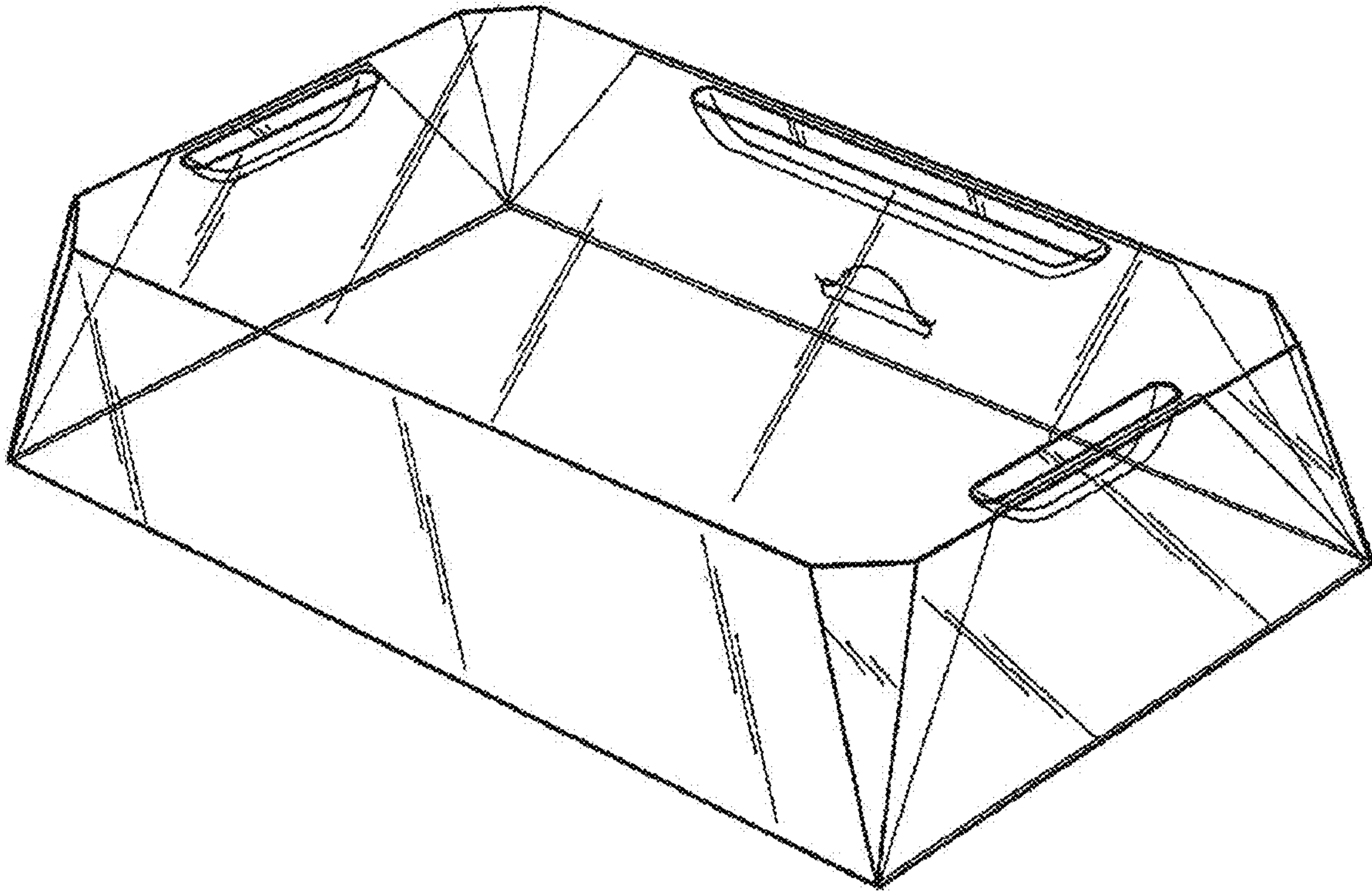




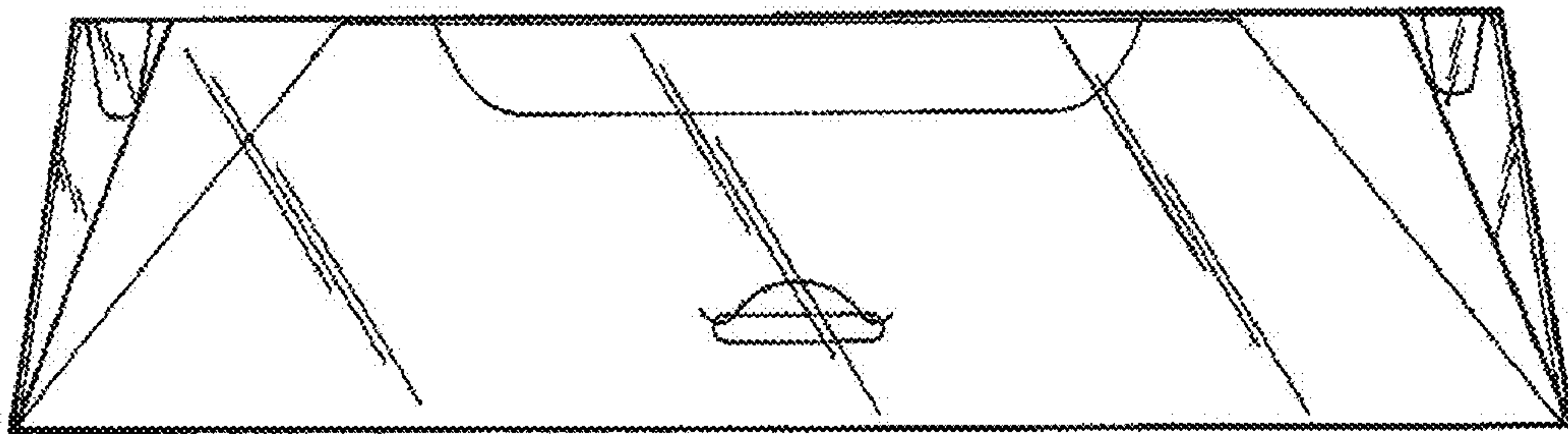
*Fig. 24*



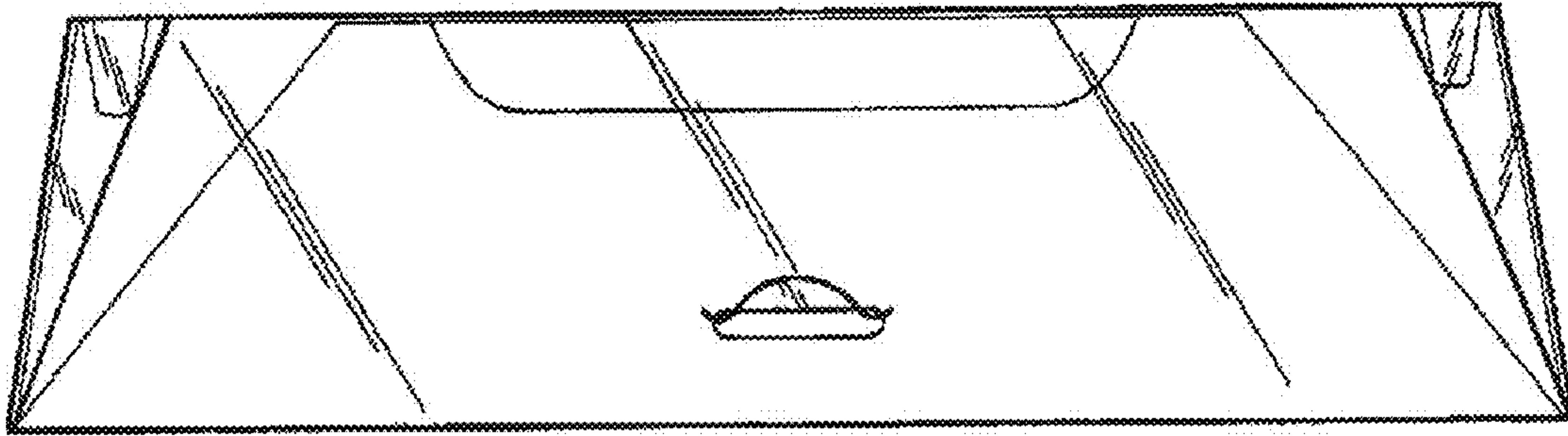
*Fig. 25*



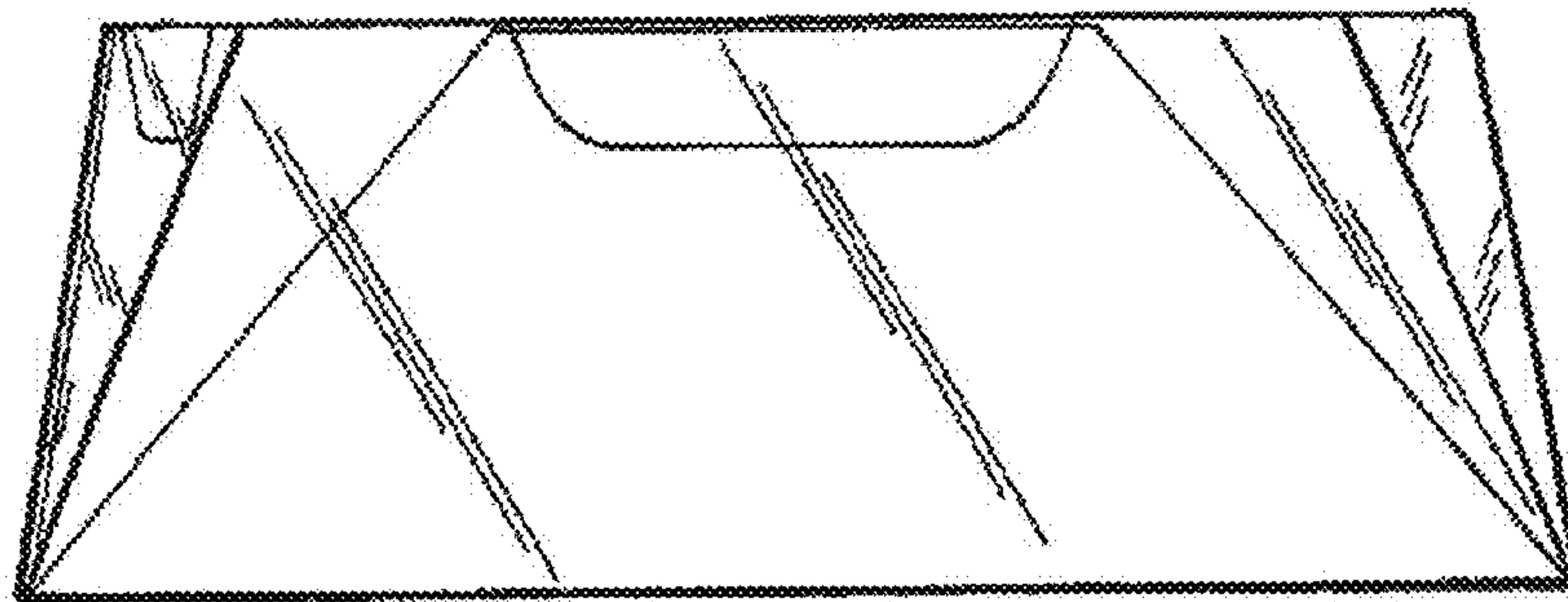
*Fig. 26*



*Fig. 27*

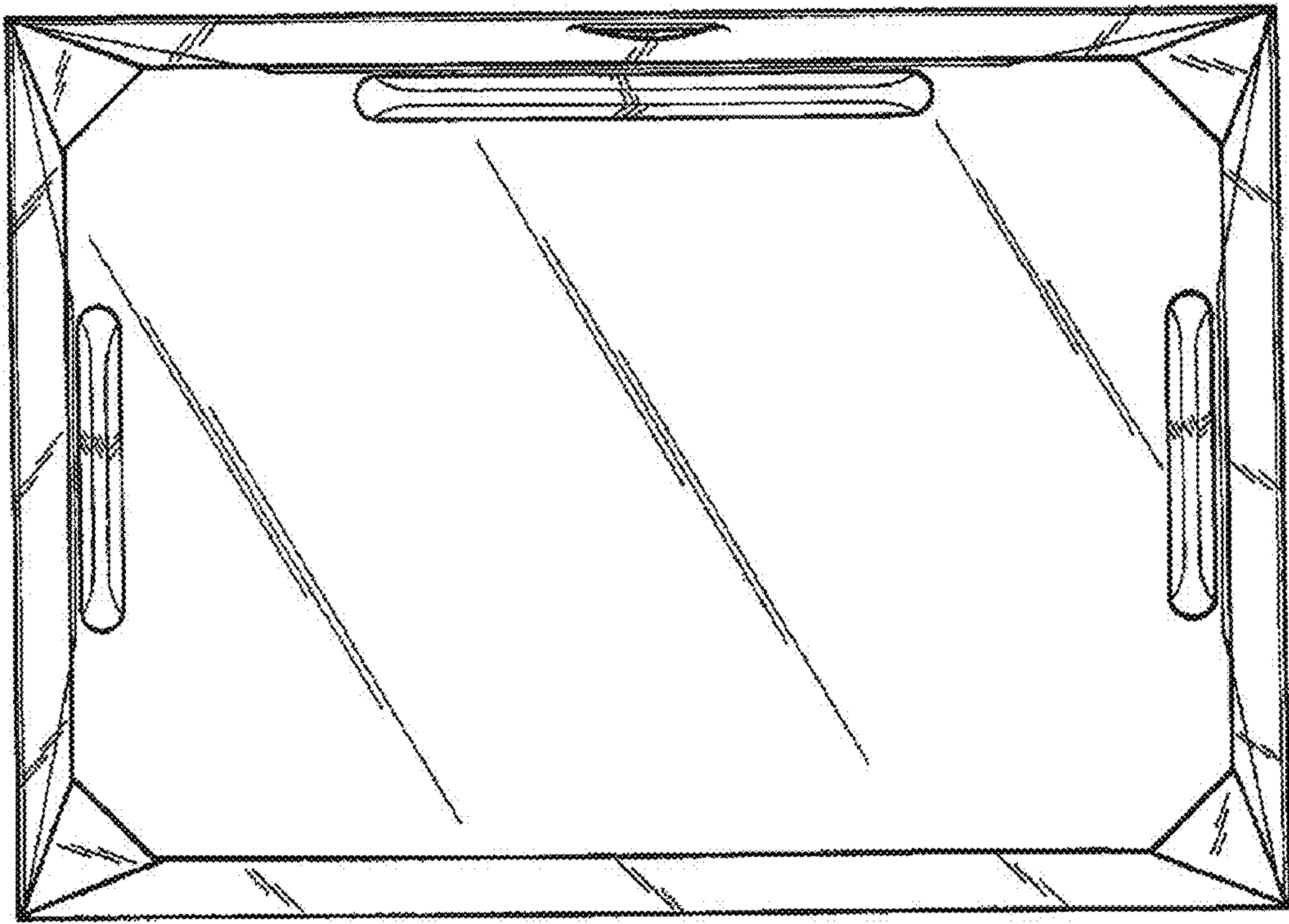


*Fig. 28*

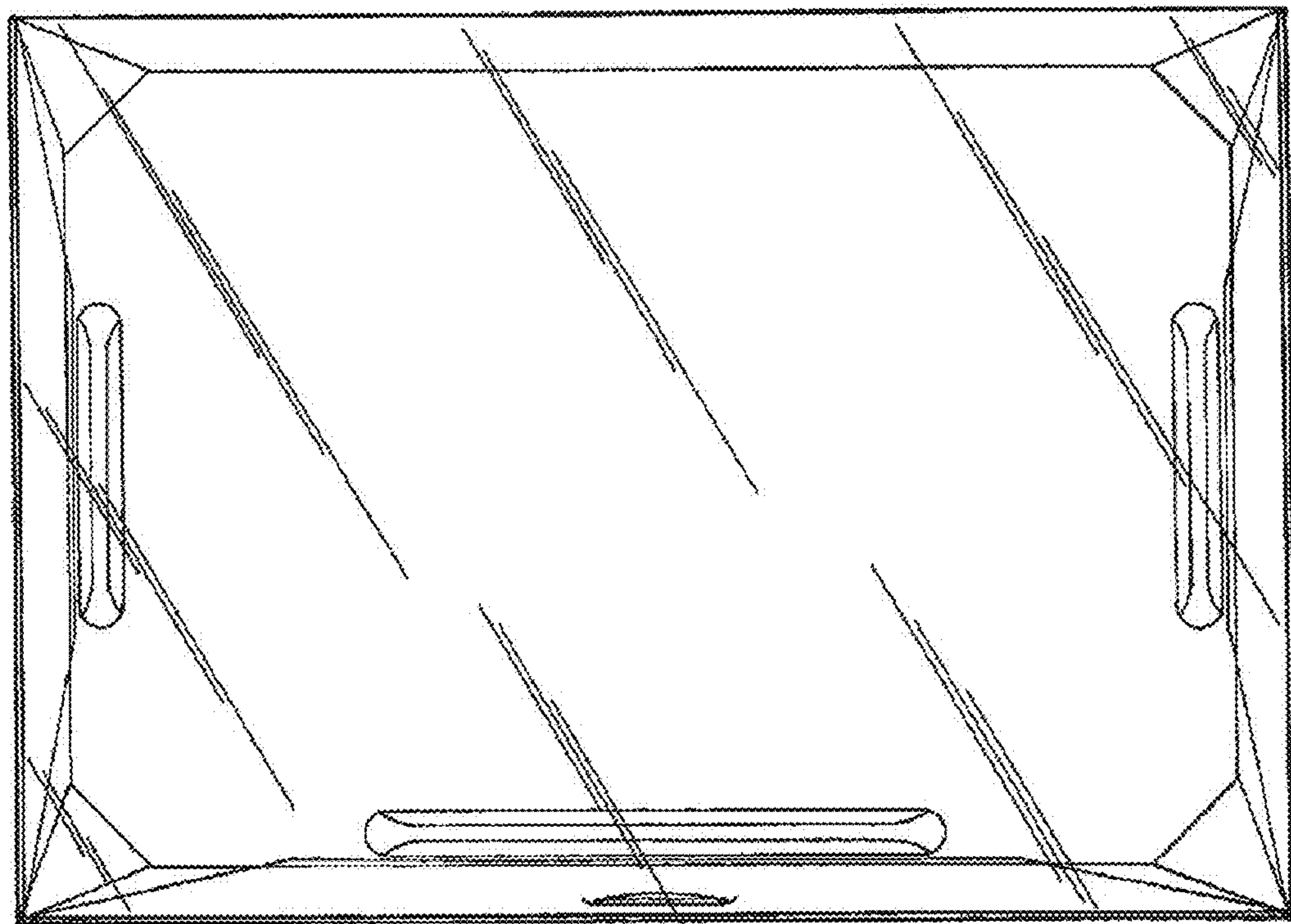


*Fig. 29*





*Fig. 30*



*Fig. 31*