



US00D617634S

(12) **United States Design Patent**
Cote et al.

(10) **Patent No.:** **US D617,634 S**
(45) **Date of Patent:** **** *Jun. 15, 2010**

(54) **PACKAGING FOR SURGICAL BLADE TIPS WITH WRENCH**

(75) Inventors: **Dana Cote**, Boxford, MA (US);
Gregory P. Halloran, Grafton, MA (US)

(73) Assignee: **Becton, Dickinson and Company**,
Franklin Lakes, NJ (US)

(*) Notice: This patent is subject to a terminal disclaimer.

(**) Term: **14 Years**

(21) Appl. No.: **29/334,883**

(22) Filed: **Apr. 3, 2009**

(51) **LOC (9) Cl.** **09-03**

(52) **U.S. Cl.** **D9/424; D9/414**

(58) **Field of Classification Search** D9/424,
D9/414, 415, 418, 426, 428, 499, 718; D3/203.1,
D3/203.7; D24/127, 128, 130, 146, 147;
206/339, 363, 364, 365, 366, 438, 822; 229/406,
229/800

See application file for complete search history.

(56) **References Cited**

U.S. PATENT DOCUMENTS

D208,079	S	*	7/1967	Panicci	D9/424
D208,080	S	*	7/1967	Hamilton	D9/424
3,434,587	A	*	3/1969	Ciampa	206/365
D231,434	S	*	4/1974	Kato	D9/424
4,113,090	A	*	9/1978	Carstens	206/365
D265,549	S	*	7/1982	Houts et al.	D3/272
4,763,788	A	*	8/1988	Jorneus et al.	206/438

D306,141	S	*	2/1990	McFarlane	D9/424
D426,150	S	*	6/2000	Izumi et al.	D9/415
D484,243	S	*	12/2003	Ryan et al.	D24/146
D484,977	S	*	1/2004	Ryan et al.	D24/146
D515,916	S	*	2/2006	Bleuer	D9/428
2005/0061697	A1	*	3/2005	Moberg	206/364

* cited by examiner

Primary Examiner—Prabhakar Deshmukh

Assistant Examiner—Derrick Holland

(74) *Attorney, Agent, or Firm*—Hoffmann & Baron LLP

(57) **CLAIM**

The ornamental design for a packaging for surgical blade tips with wrench, as shown and described.

DESCRIPTION

FIG. 1 is a top perspective view of a packaging for surgical blade tips with wrench showing our new design, in environmental use;

FIG. 2 is a top perspective view thereof, shown without environment;

FIG. 3 is a top plan view thereof;

FIG. 4 is a left elevational view thereof;

FIG. 5 is a front elevational view thereof;

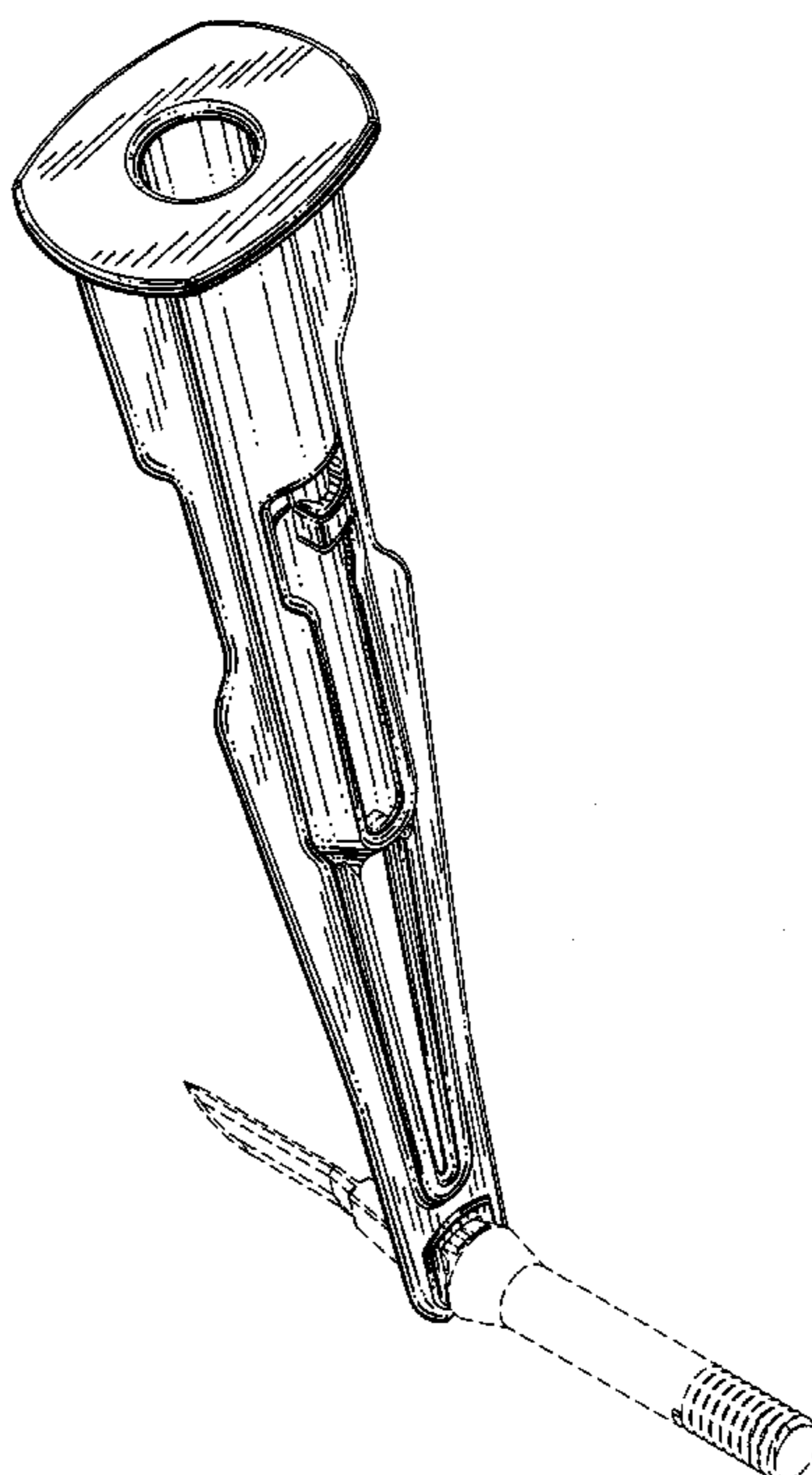
FIG. 6 is a rear elevational view thereof;

FIG. 7 is a right elevational view thereof; and,

FIG. 8 is a bottom plan view thereof.

The broken lines shown represent unclaimed subject matter and form no part of the claimed design.

1 Claim, 5 Drawing Sheets



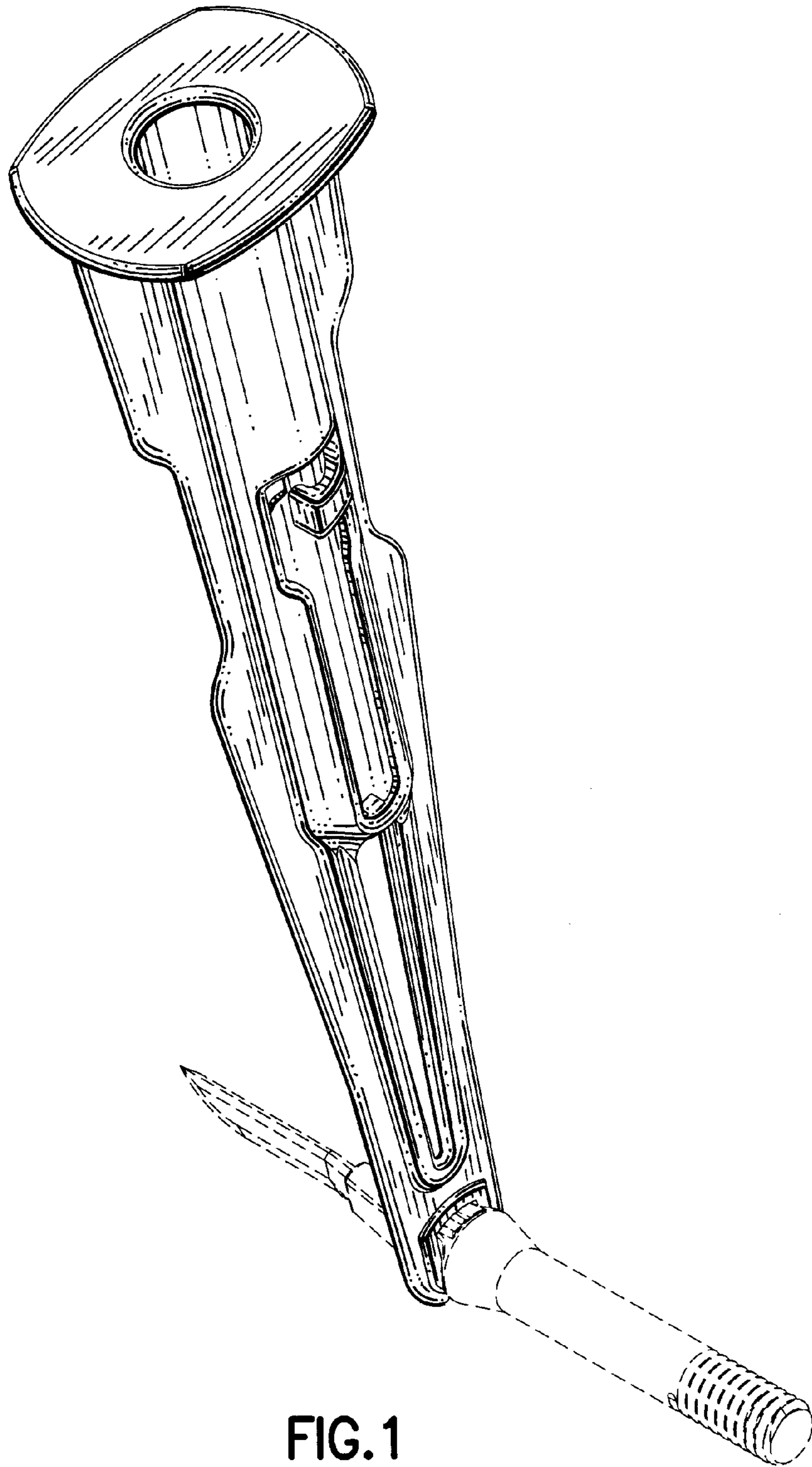


FIG. 1

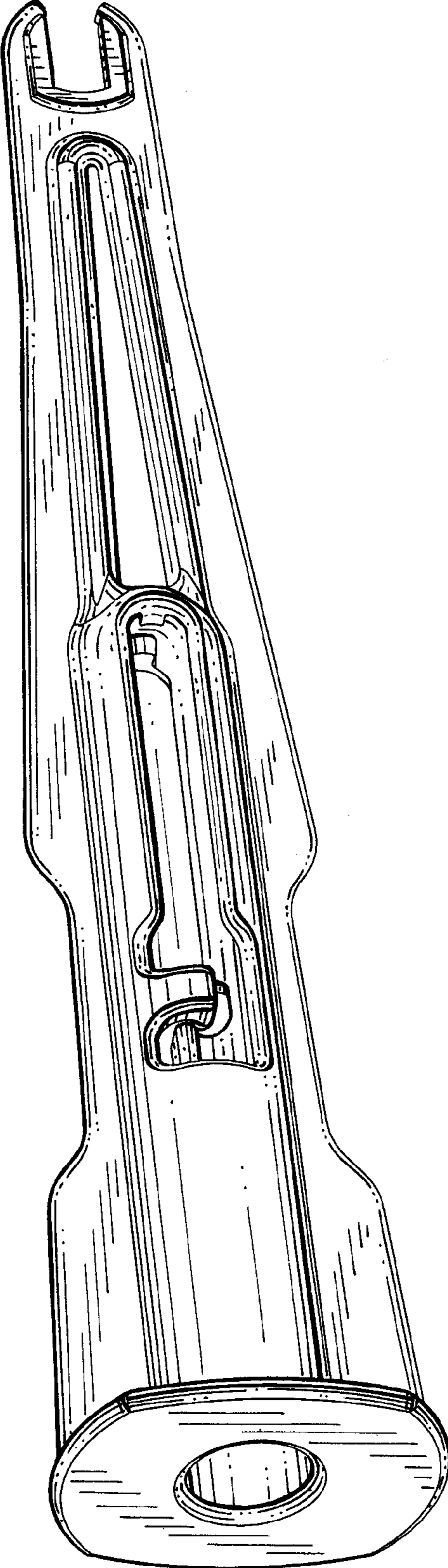


FIG.2

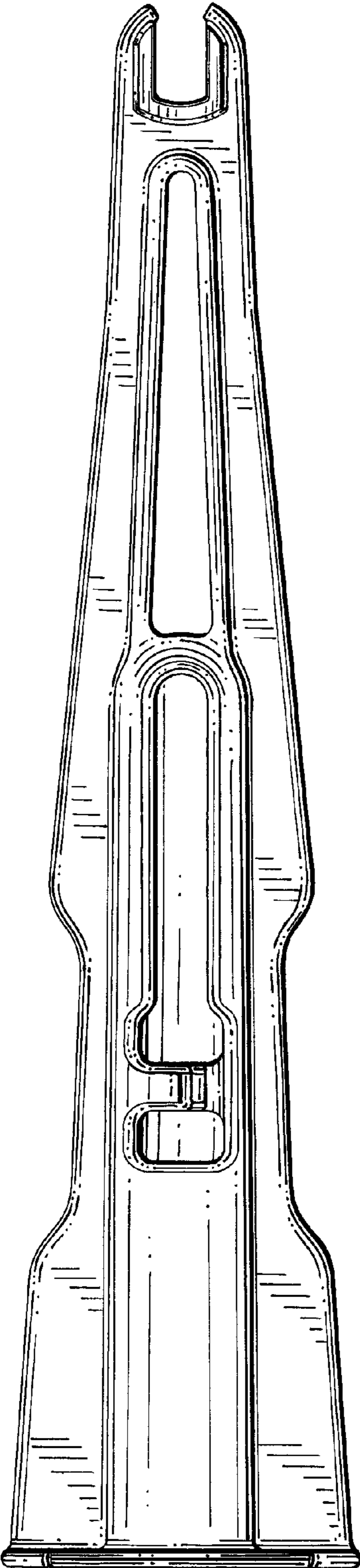


FIG. 3

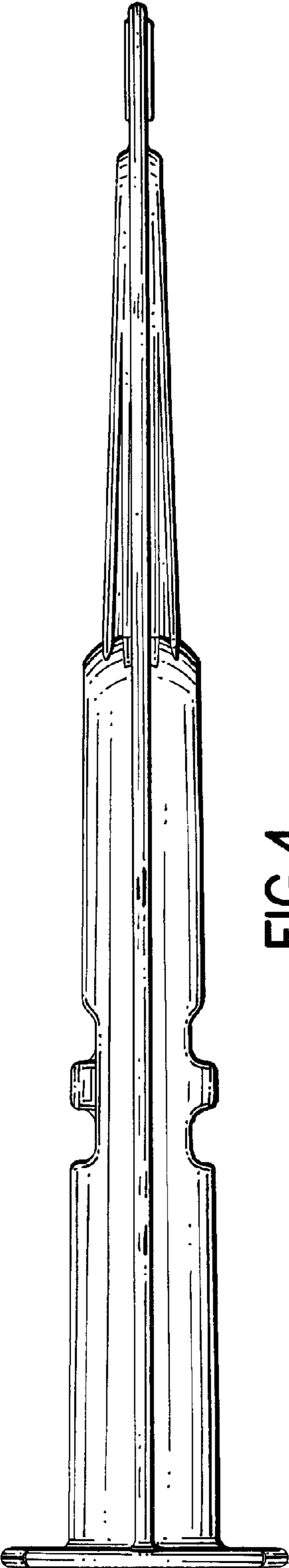


FIG. 4

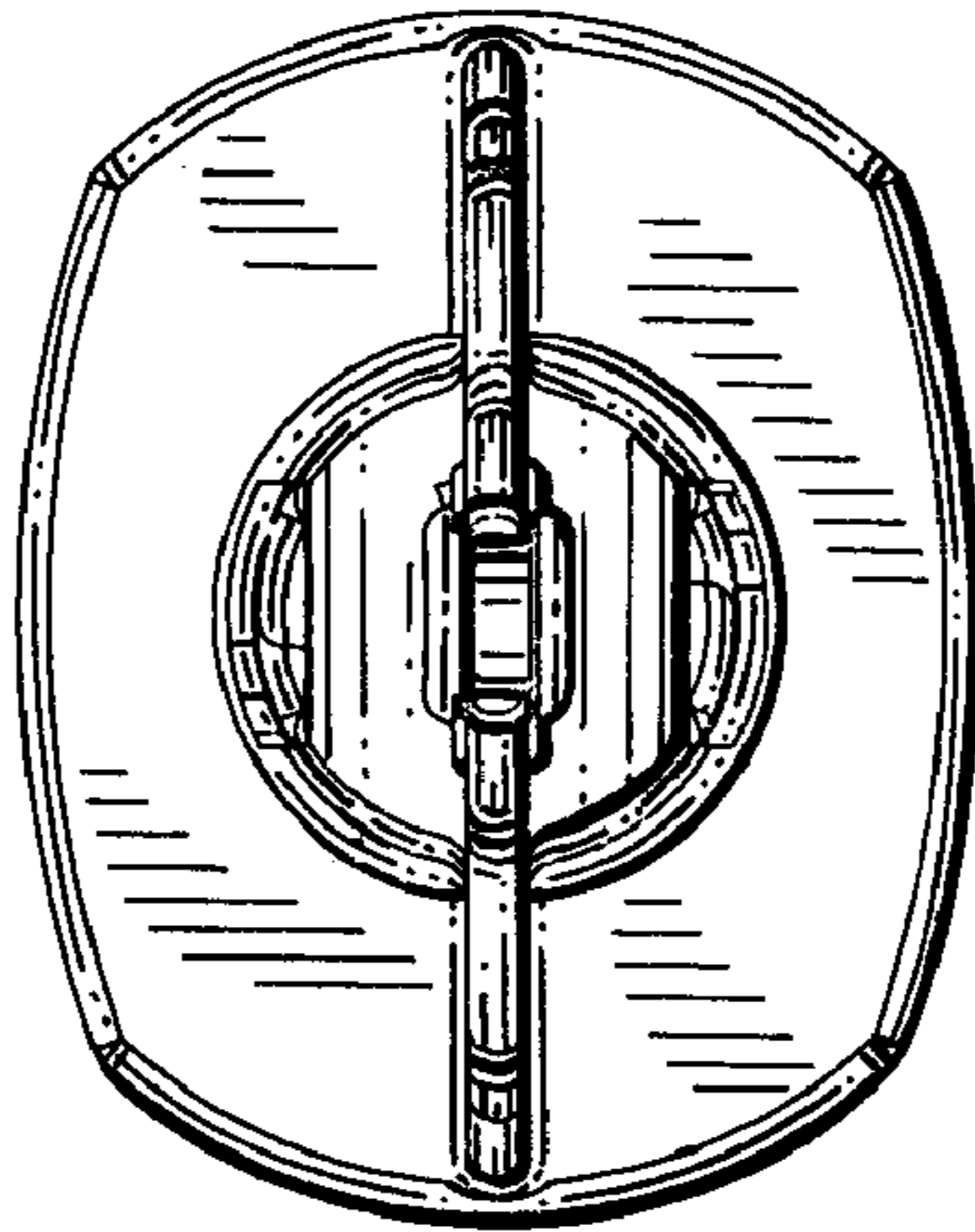


FIG. 5

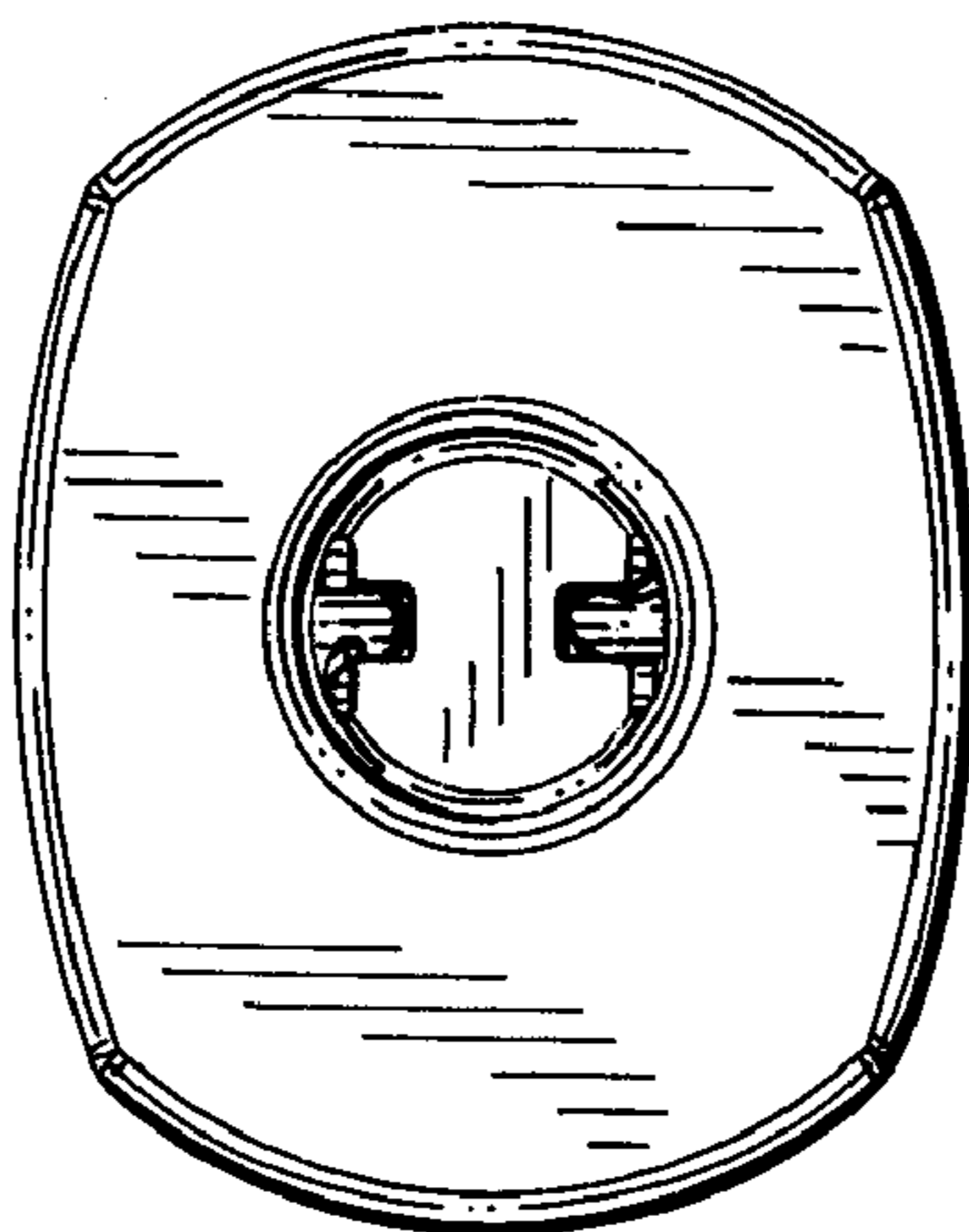


FIG. 6

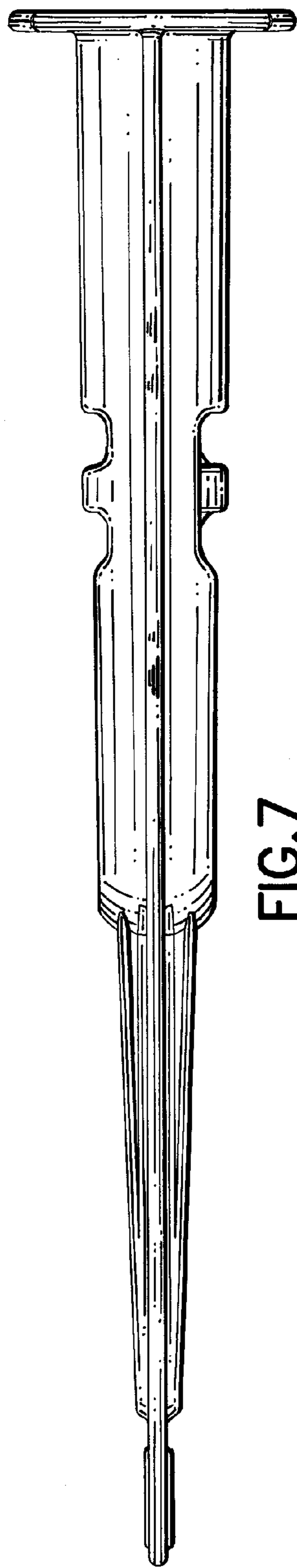


FIG. 7

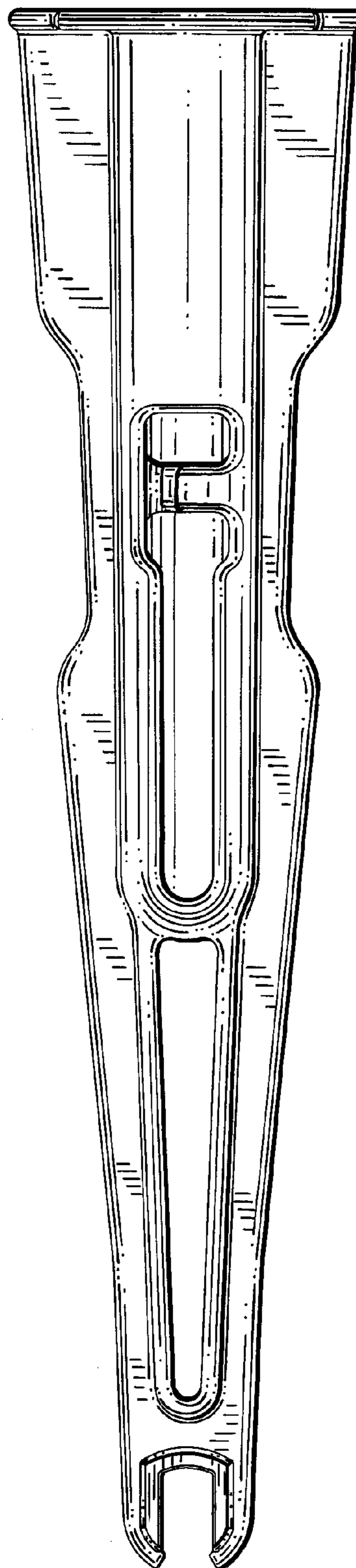


FIG. 8