



US00D617633S

(12) **United States Design Patent**  
**VanElverdinghe**

(10) **Patent No.:** **US D617,633 S**  
(45) **Date of Patent:** **\*\* Jun. 15, 2010**

(54) **CANOPY SLIDE FITTING**

(76) Inventor: **Jeffry L. VanElverdinghe**, 4537 SW.  
164<sup>th</sup> Pl., Beaverton, OR (US) 97007

(\*\*) Term: **14 Years**

(21) Appl. No.: **29/334,010**

(22) Filed: **Mar. 18, 2009**

(51) **LOC (9) Cl.** ..... **08-08**

(52) **U.S. Cl.** ..... **D8/382**

(58) **Field of Classification Search** ..... D8/382,  
D8/354, 396; D6/491; D23/262; 403/305,  
403/388; D21/839; 135/99, 121, 120.3,  
135/145, 114, 131, 140

See application file for complete search history.

(56) **References Cited**

**U.S. PATENT DOCUMENTS**

2,839,320 A \* 6/1958 Hill ..... 403/172

(Continued)

*Primary Examiner*—Holly H Baynham

*Assistant Examiner*—Sheryl Lane

(74) *Attorney, Agent, or Firm*—Joseph P. Curtin, L.L.C.

(57) **CLAIM**

The ornamental design for a canopy slide fitting, shown and described.

**DESCRIPTION**

FIG. 1 is a top view of an assembled canopy slide fitting according to the subject matter disclosed herein;

FIG. 2 is a top view of an unassembled canopy slide fitting according to the subject matter disclosed herein;

FIG. 3 is a back view of an assembled canopy slide fitting according to the subject matter disclosed herein;

FIG. 4 is a back view of an unassembled canopy slide fitting according to the subject matter disclosed herein;

FIG. 5 is a bottom view of an assembled canopy slide fitting according to the subject matter disclosed herein;

FIG. 6 is a bottom view of an unassembled canopy slide fitting according to the subject matter disclosed herein;

FIG. 7 is a front view of an assembled canopy slide fitting according to the subject matter disclosed herein;

FIG. 8 is a left view of an assembled canopy slide fitting according to the subject matter disclosed herein;

FIG. 9 is a left view of an unassembled canopy slide fitting according to the subject matter disclosed herein;

FIG. 10 is a right view of an assembled canopy slide fitting according to the subject matter disclosed herein;

FIG. 11 is a right view of an unassembled canopy slide fitting according to the subject matter disclosed herein;

FIG. 12 is a northeast isometric view of an assembled canopy slide fitting according to the subject matter disclosed herein;

FIG. 13 is a northeast isometric view of an unassembled canopy slide fitting according to the subject matter disclosed herein;

FIG. 14 is a northwest isometric view of an assembled canopy slide fitting according to the subject matter disclosed herein;

FIG. 15 is a northwest isometric view of an unassembled canopy slide fitting according to the subject matter disclosed herein;

FIG. 16 is a southeast isometric view of an assembled canopy slide fitting according to the subject matter disclosed herein;

FIG. 17 is a southeast isometric view of an unassembled canopy slide fitting according to the subject matter disclosed herein;

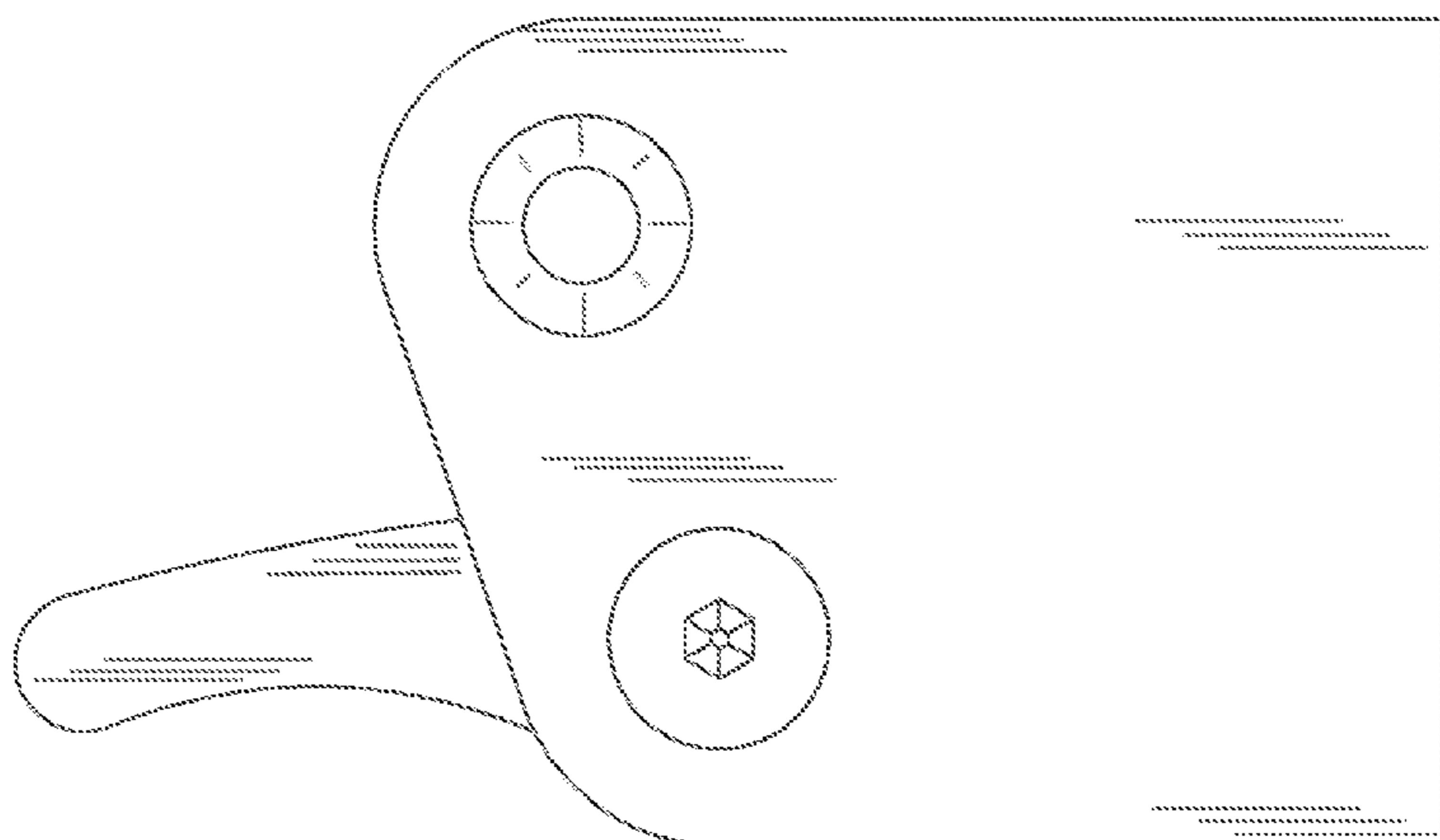
FIG. 18 is a southwest isometric view of an assembled canopy slide fitting according to the subject matter disclosed herein;

FIG. 19 is a southwest isometric view of an unassembled canopy slide fitting according to the subject matter disclosed herein; and,

FIG. 20 is an exploded northwest isometric view of an assembled canopy slide fitting according to the subject matter disclosed herein.

The elements in the drawings are shown unassembled and/or exploded for ease of illustration.

**1 Claim, 20 Drawing Sheets**



# US D617,633 S

Page 2

## U.S. PATENT DOCUMENTS

4,129,975	A	*	12/1978	Gabriel	.....	52/655.2	D512,477	S	*	12/2005	Diaz	.....	D21/839
5,511,572	A		4/1996	Carter			6,981,510	B2		1/2006	Carter		
D412,102	S	*	7/1999	Murakami	.....	D8/382	7,051,745	B2		5/2006	Carter		
5,944,040	A		8/1999	Jang			D533,914	S	*	12/2006	Diaz	.....	D21/839
6,076,312	A		6/2000	Carter			7,178,541	B2		2/2007	Carter		
6,230,729	B1		5/2001	Carter			7,178,542	B2		2/2007	Carter		
6,283,136	B1		9/2001	Chen			7,240,687	B2		7/2007	Carter		
6,363,956	B2		4/2002	Carter			D559,665	S	*	1/2008	Terada et al.	.....	D8/382
6,382,224	B1		5/2002	Carter			7,363,922	B2		4/2008	Carter		
6,520,196	B2		2/2003	Carter			D576,026	S	*	9/2008	Mazzocco	.....	D8/382
6,701,949	B2		3/2004	Carter			D582,181	S	*	12/2008	Gasser	.....	D6/491
6,712,083	B2		3/2004	Carter			D598,735	S	*	8/2009	Wakasugi et al.	.....	D8/382
6,926,021	B2		8/2005	Carter									

\* cited by examiner

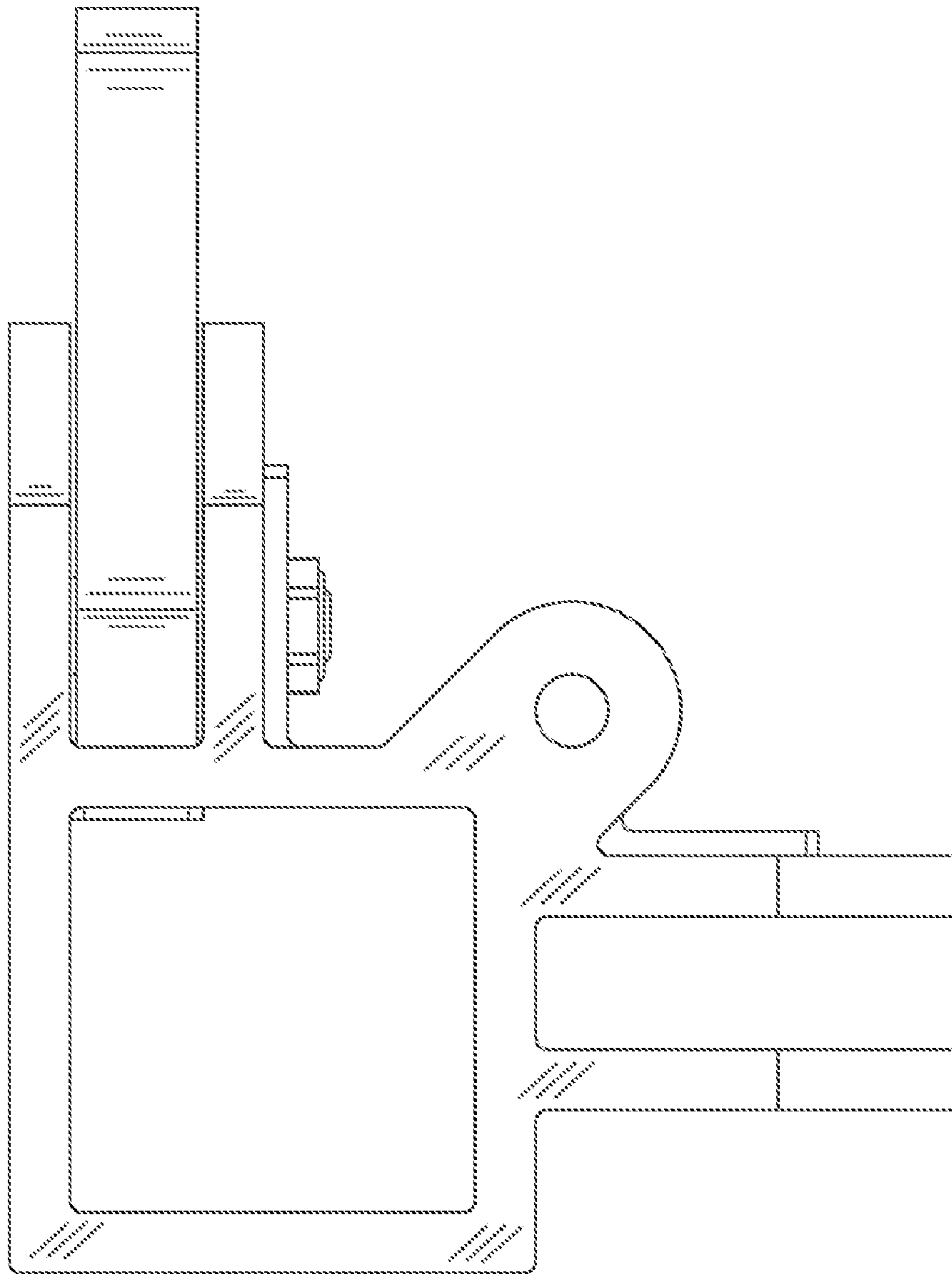


FIG. 1

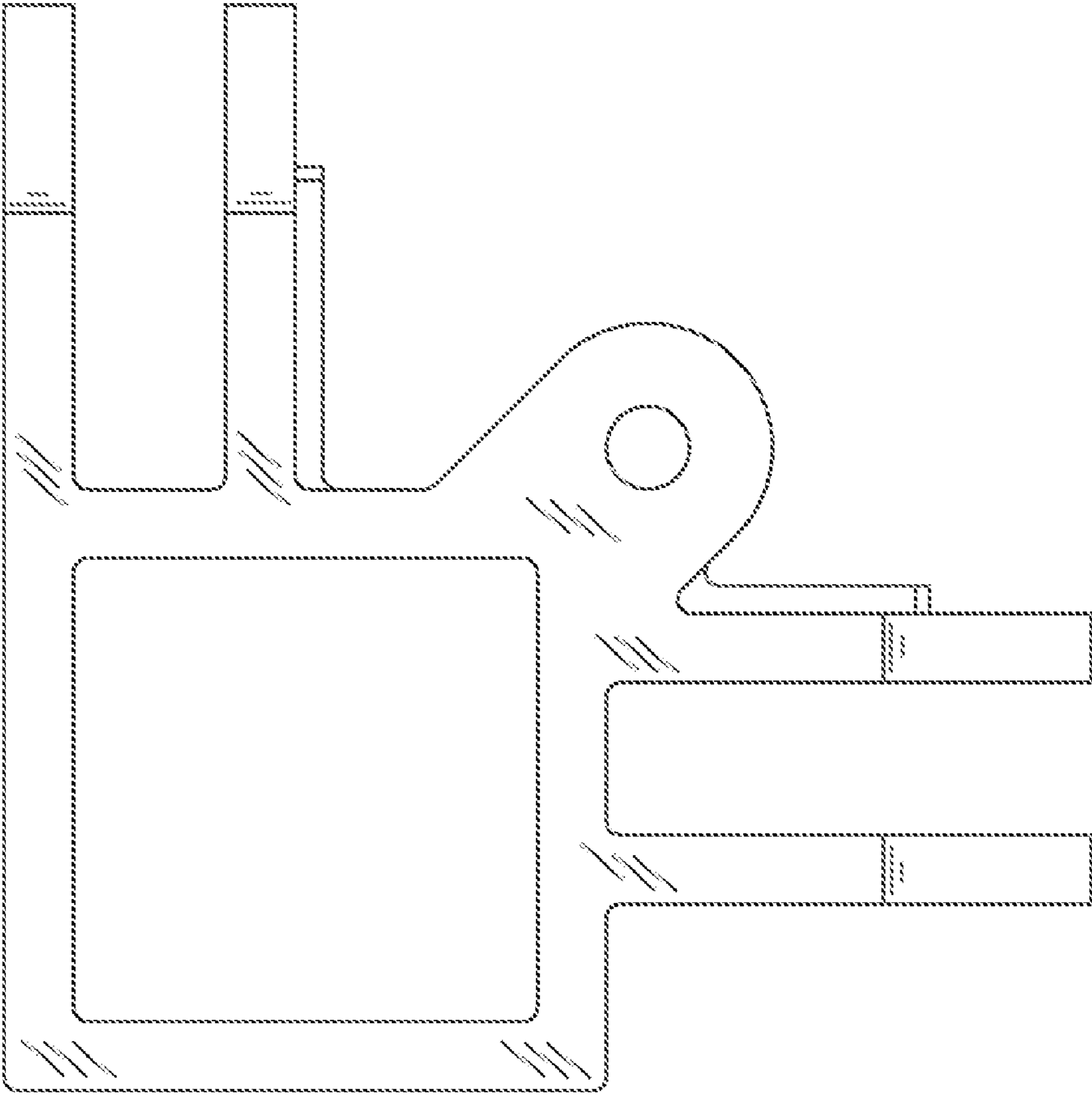


FIG. 2

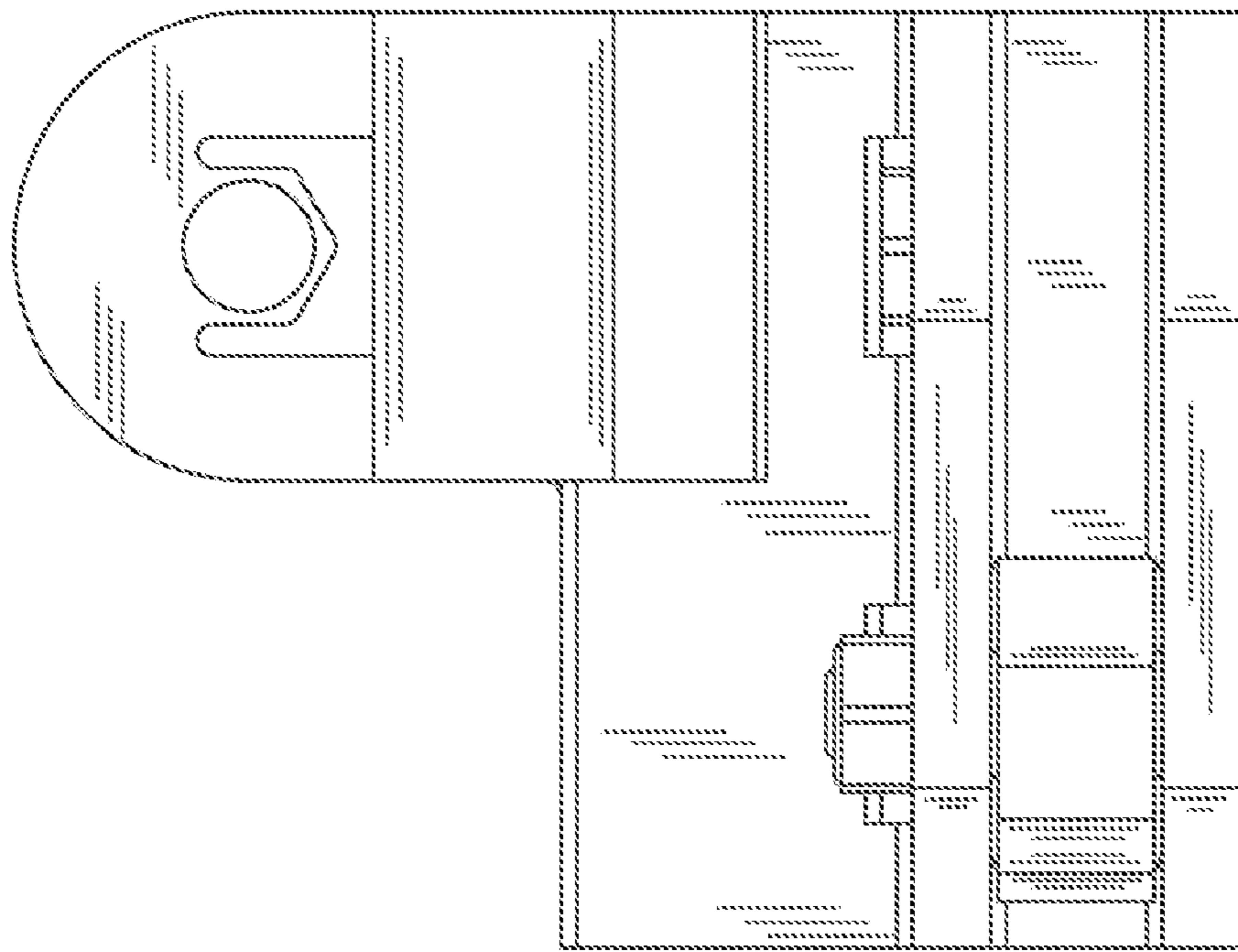


FIG. 3

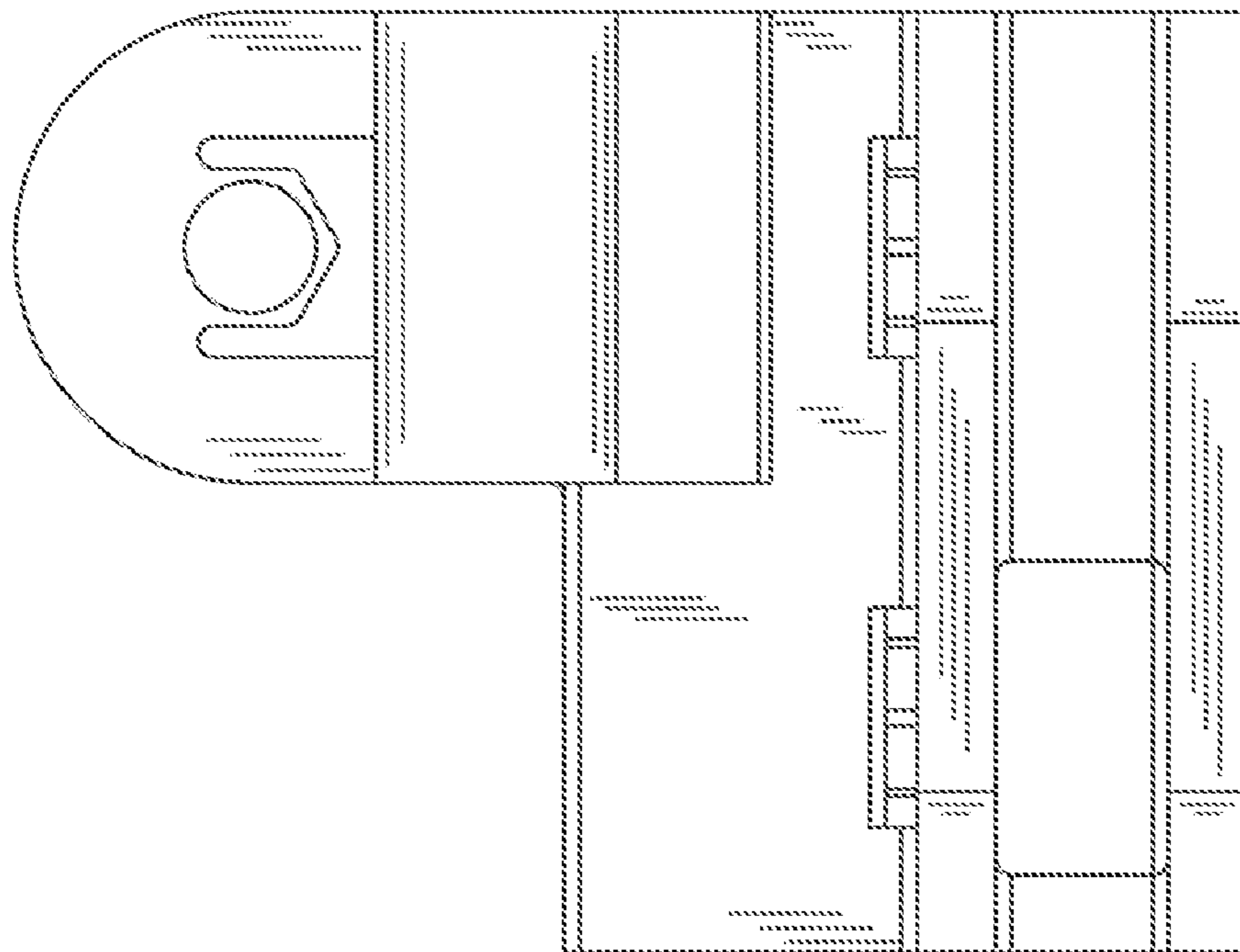


FIG. 4

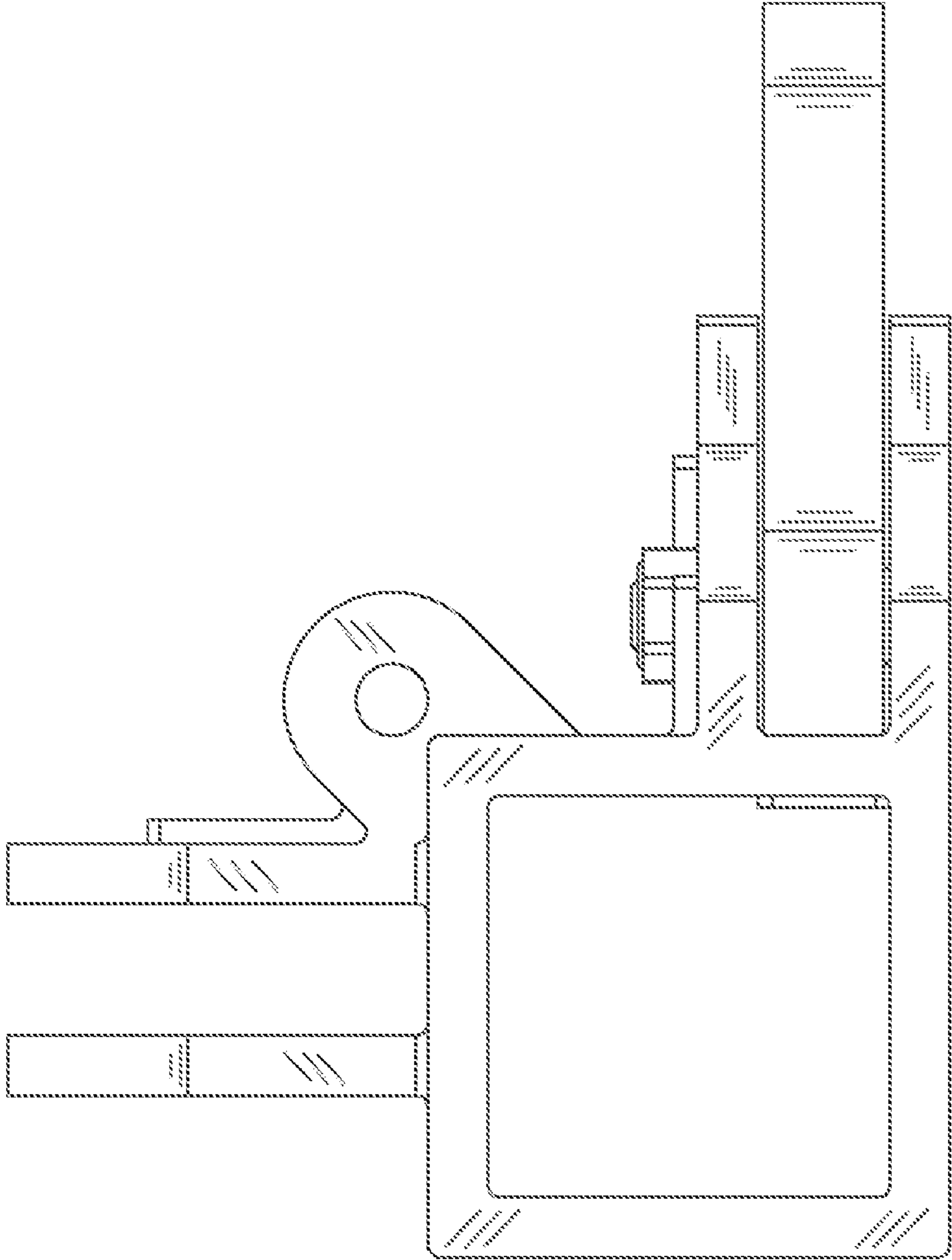


FIG. 5

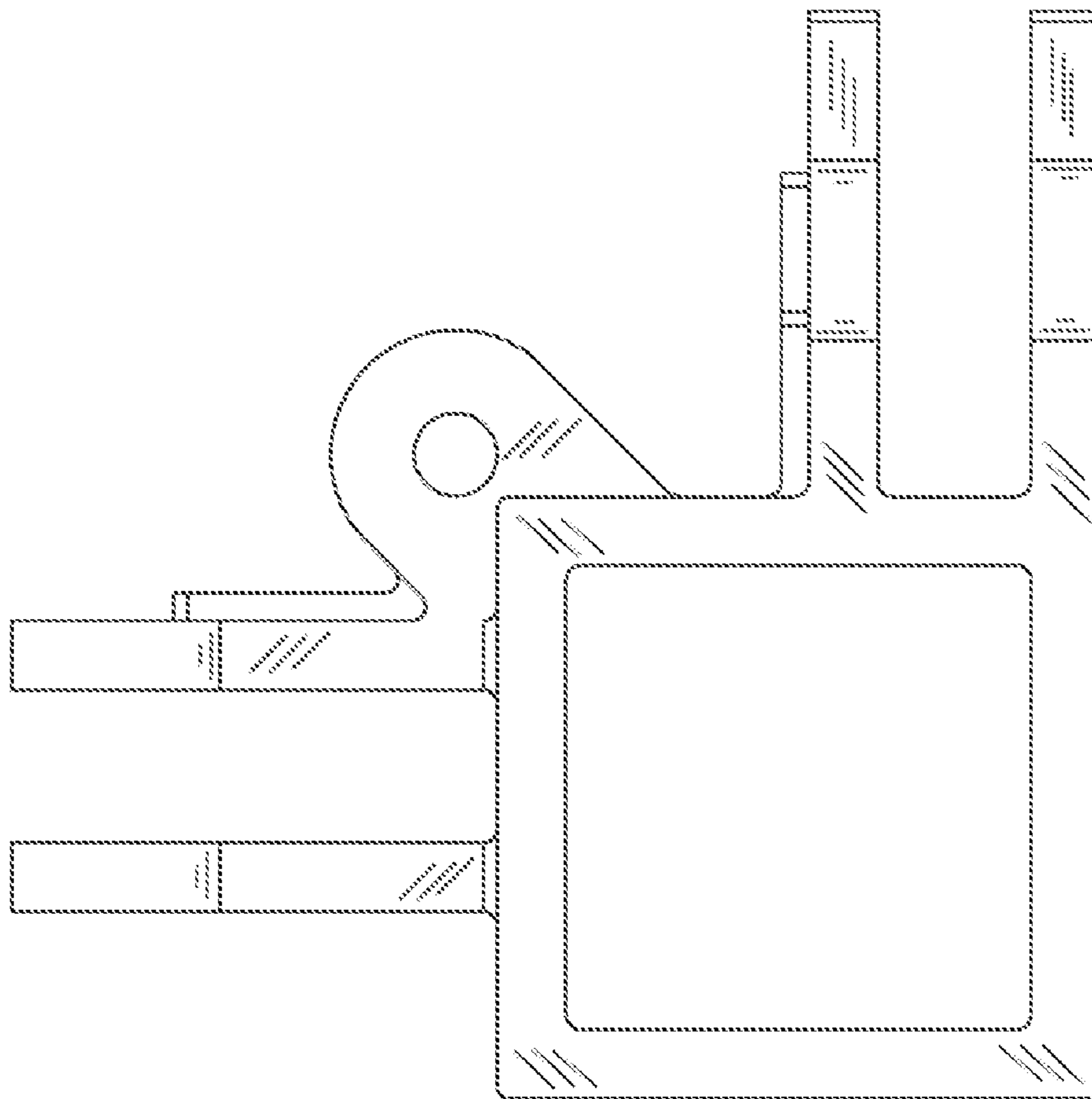


FIG. 6



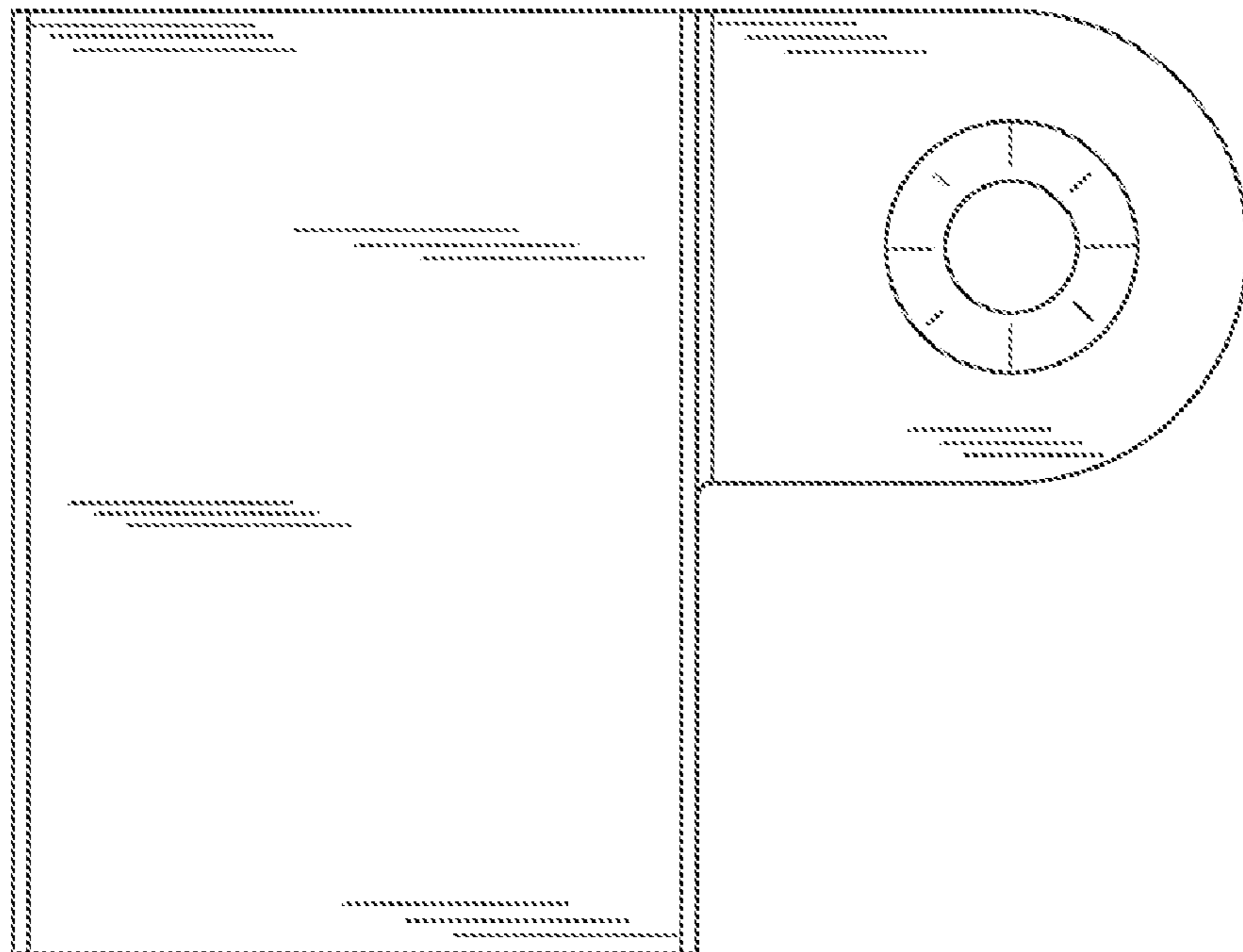


FIG. 7

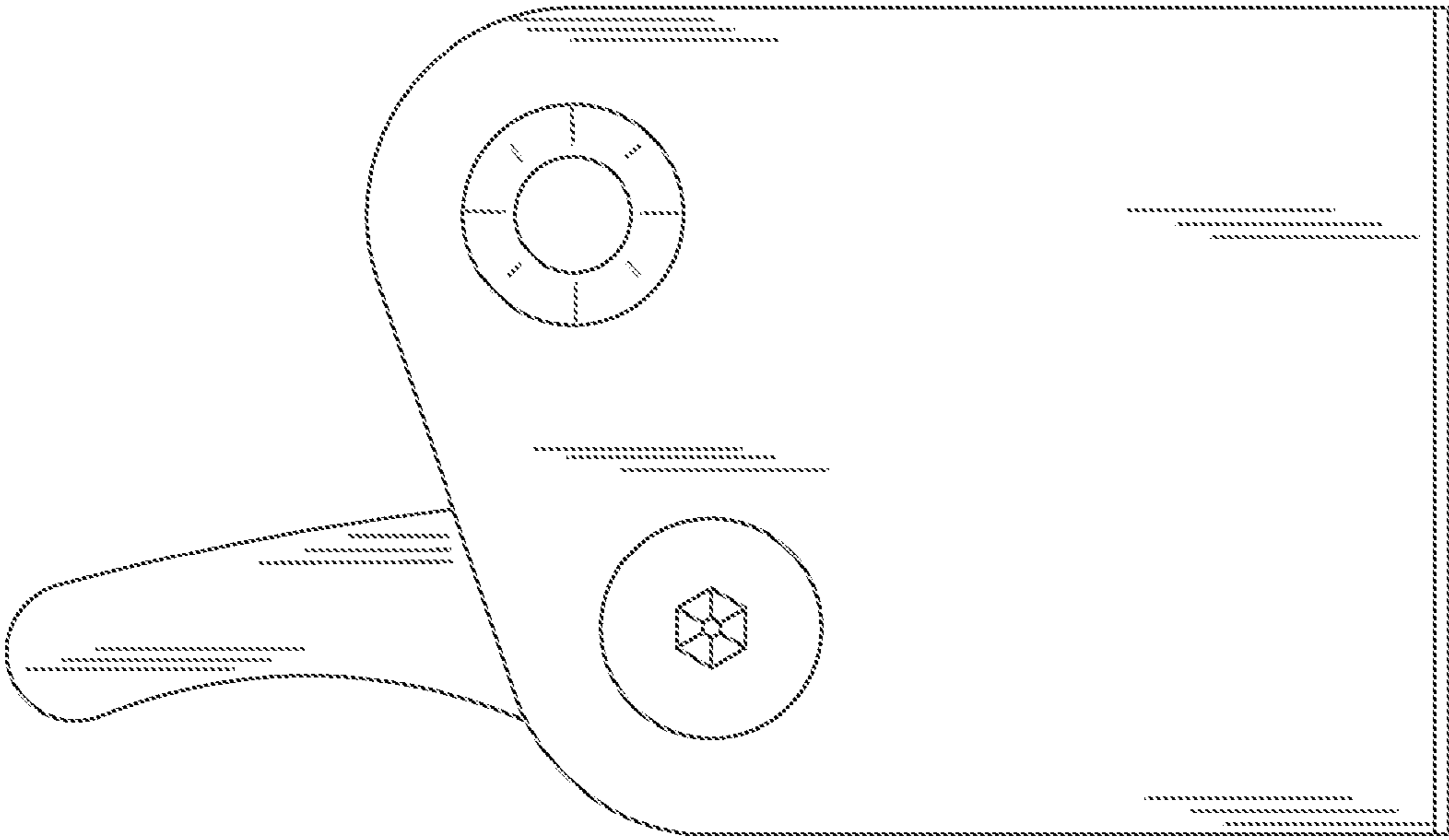


FIG. 8

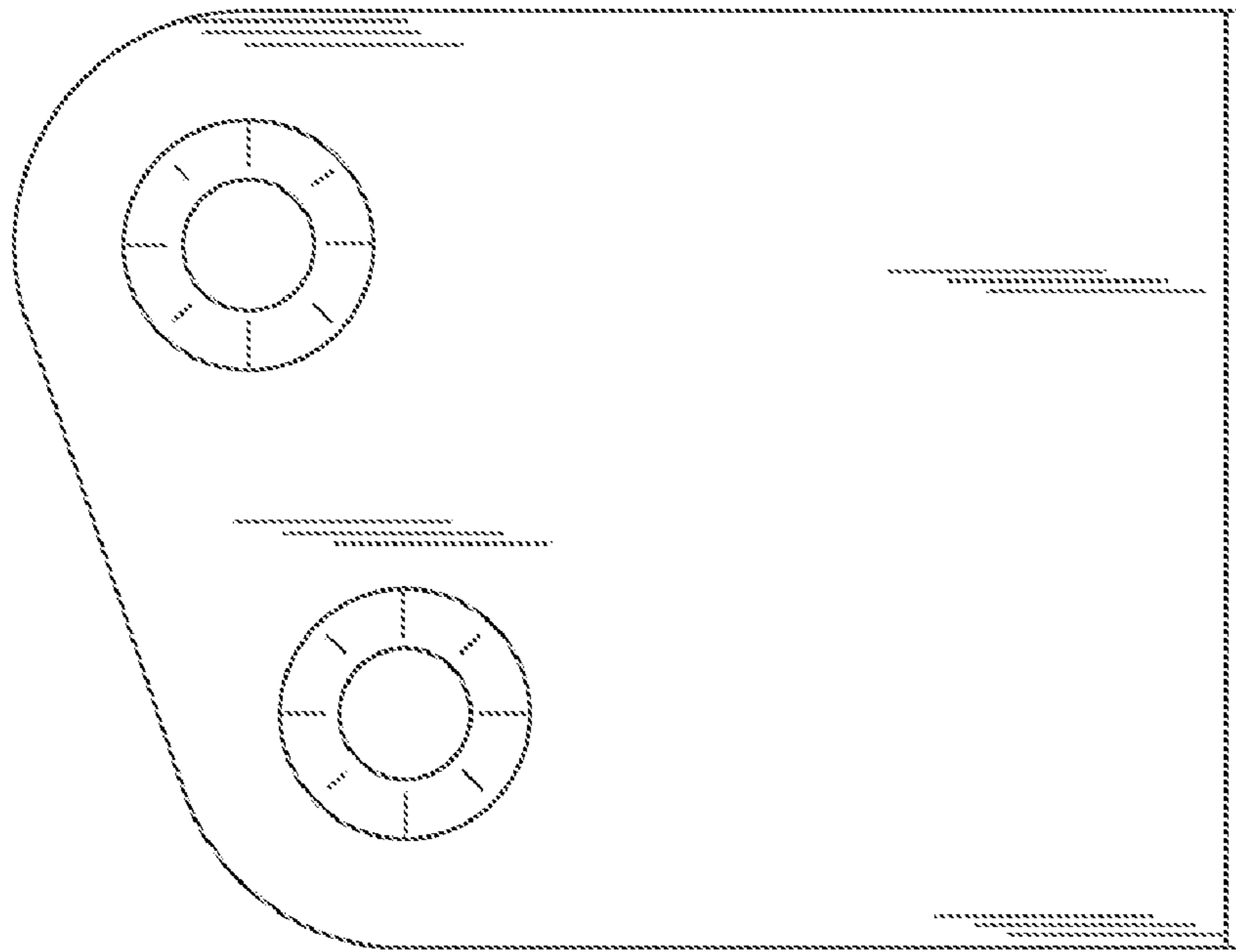


FIG. 9

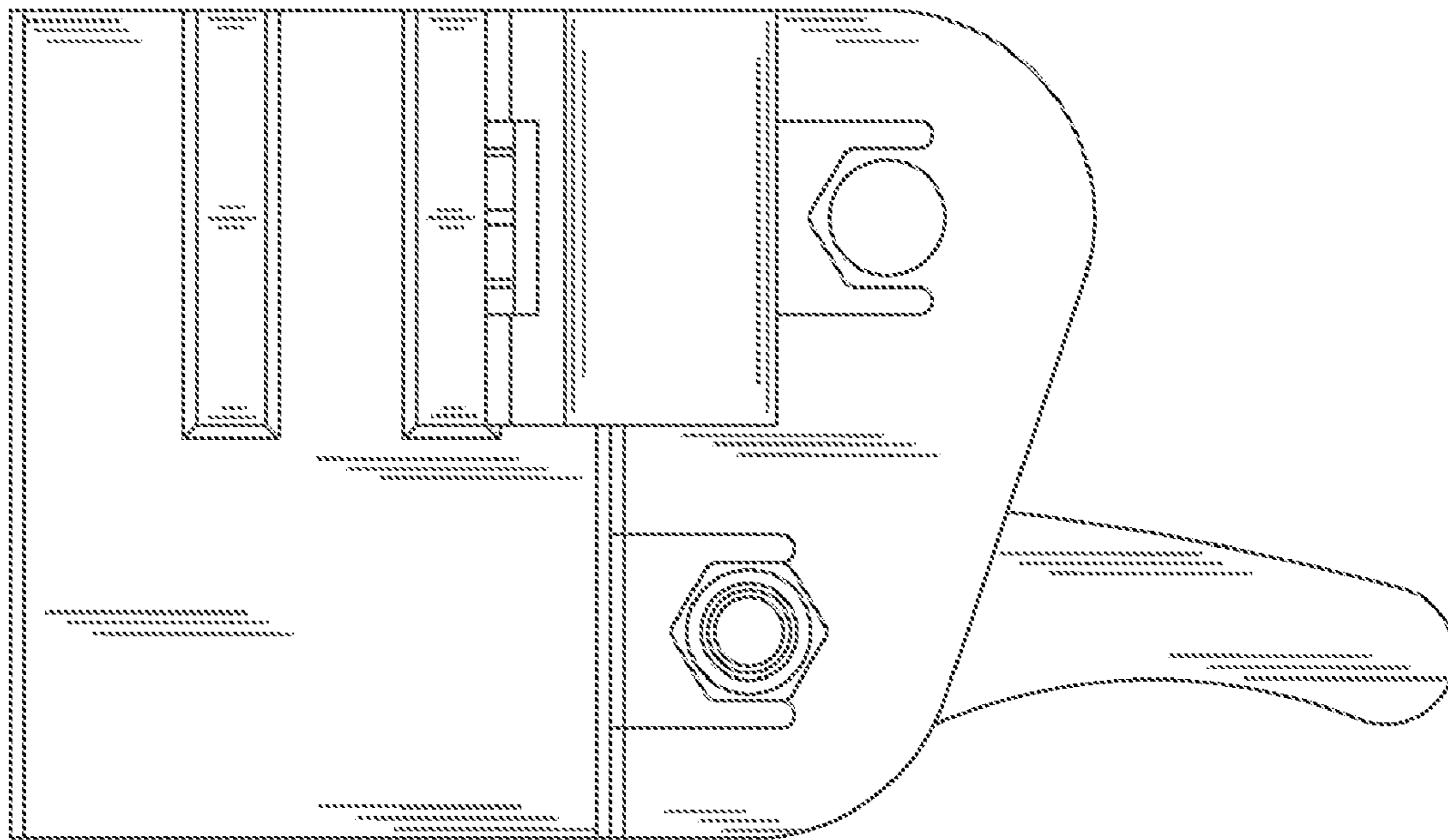


FIG. 10

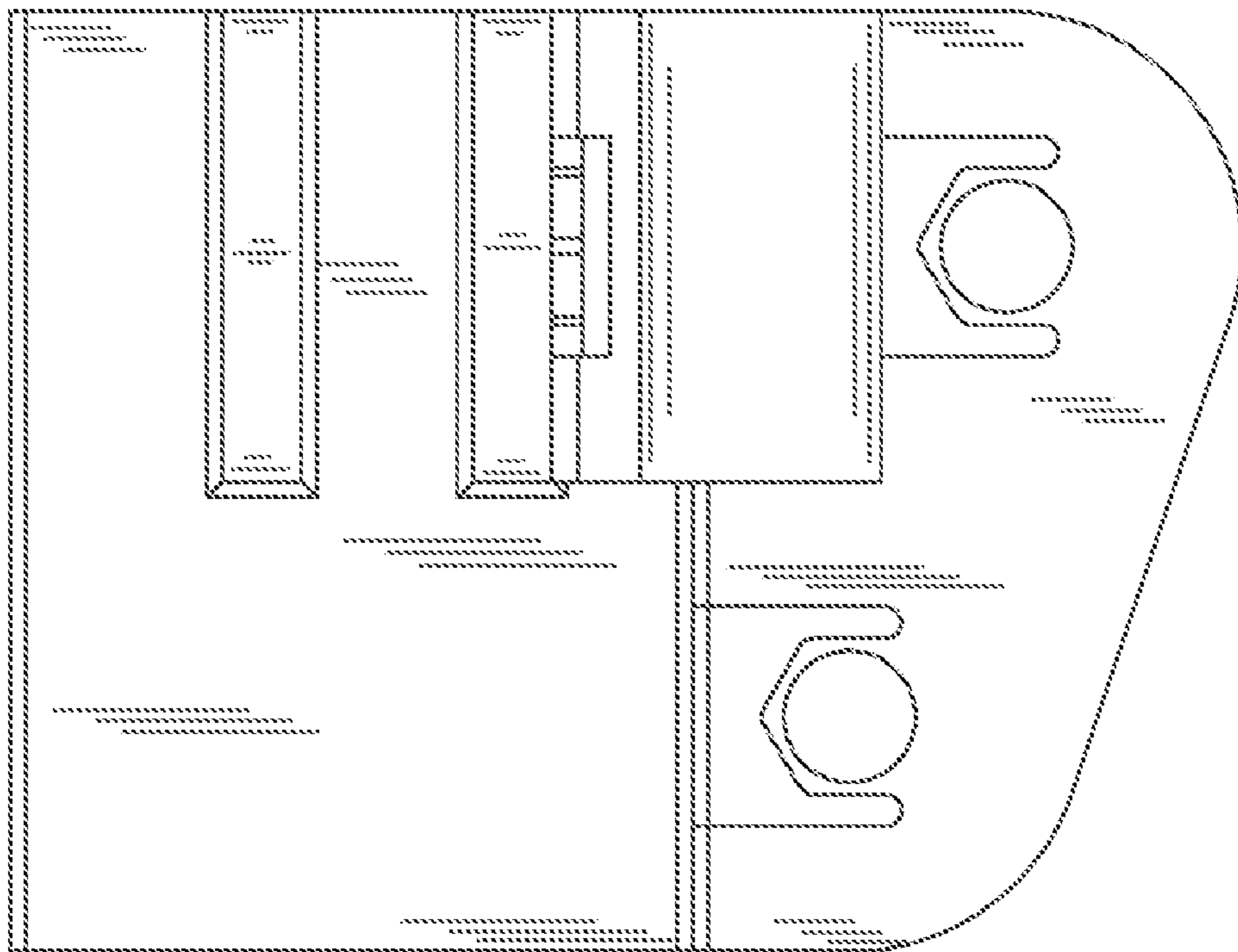


FIG. 11

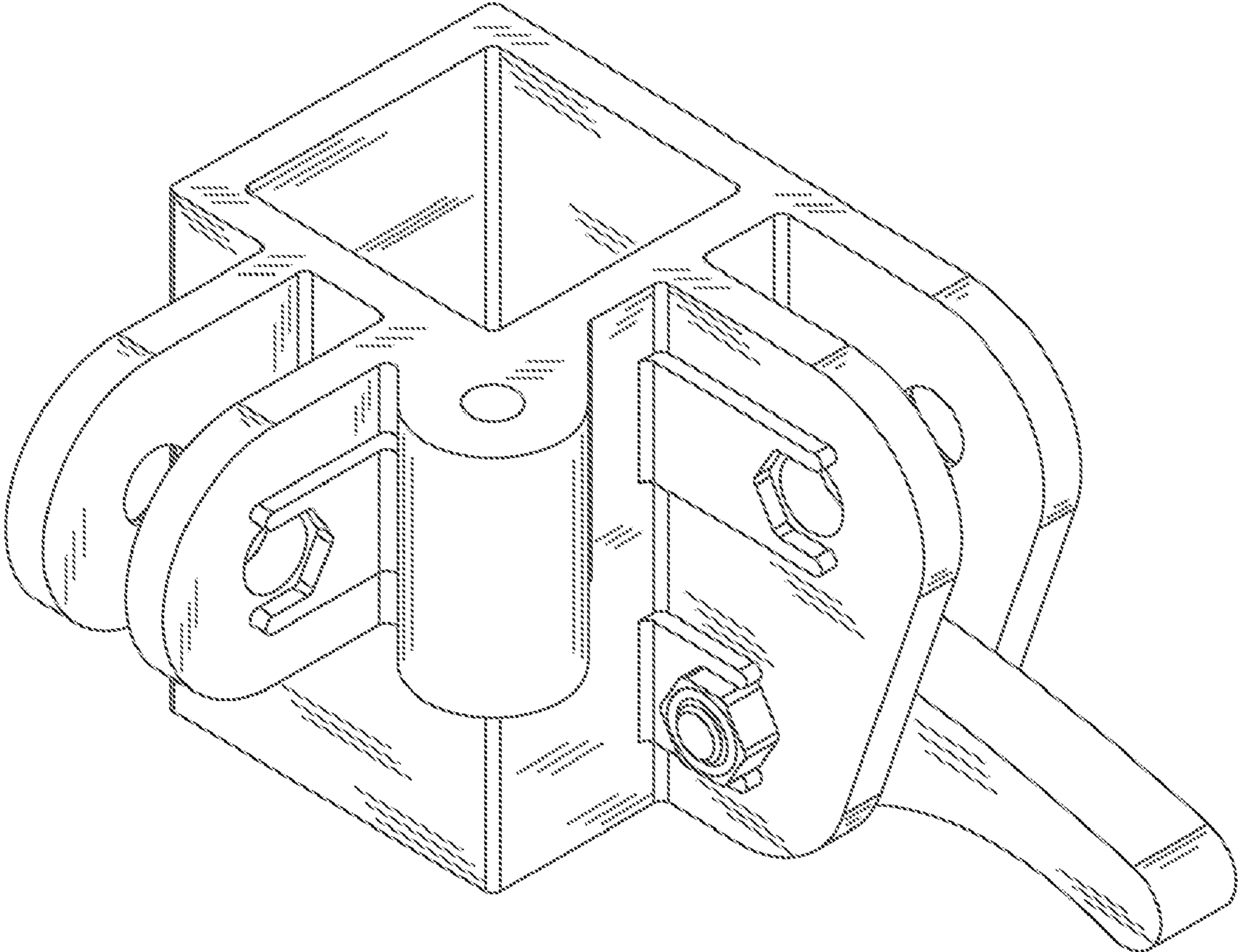


FIG. 12

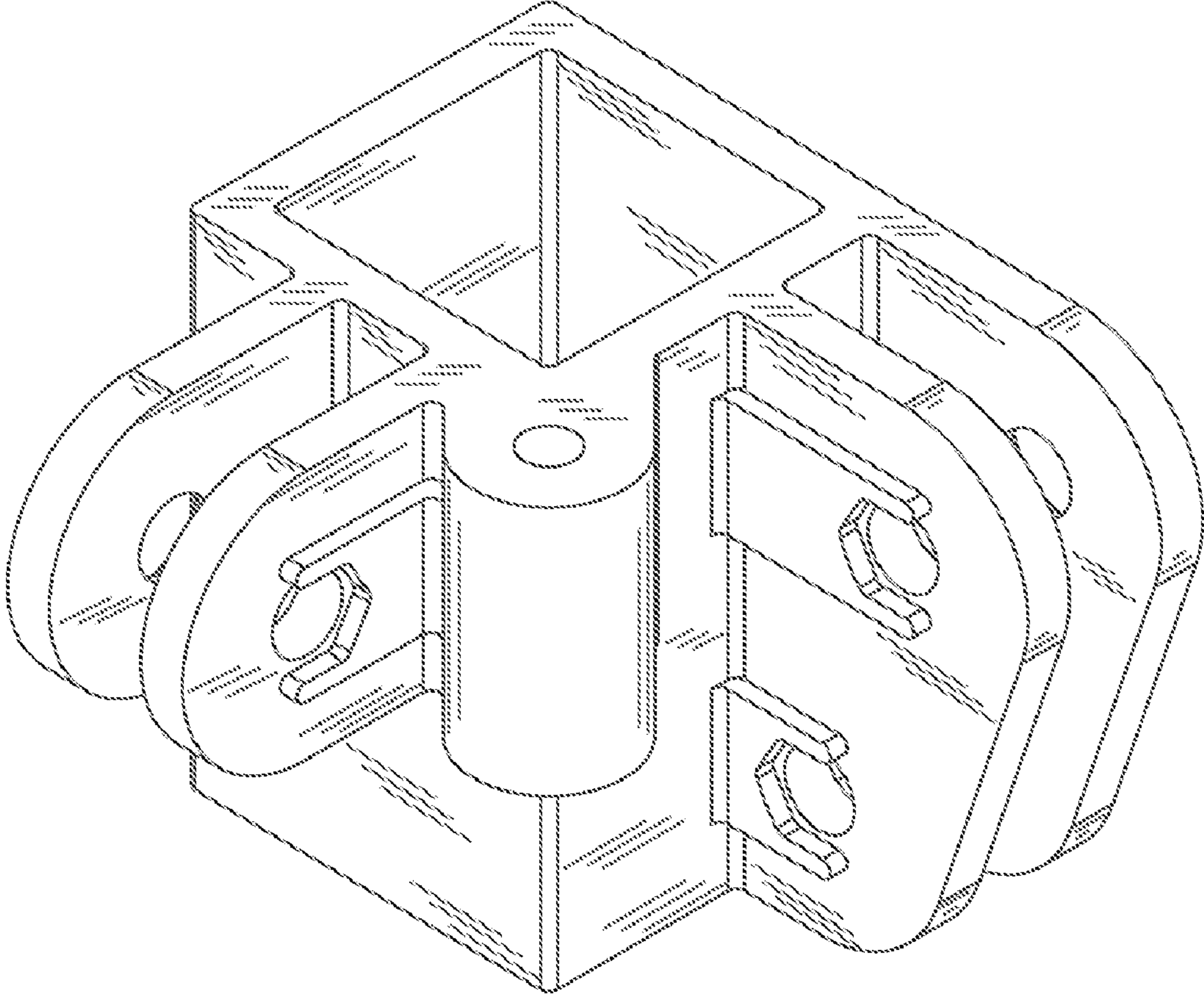


FIG. 13

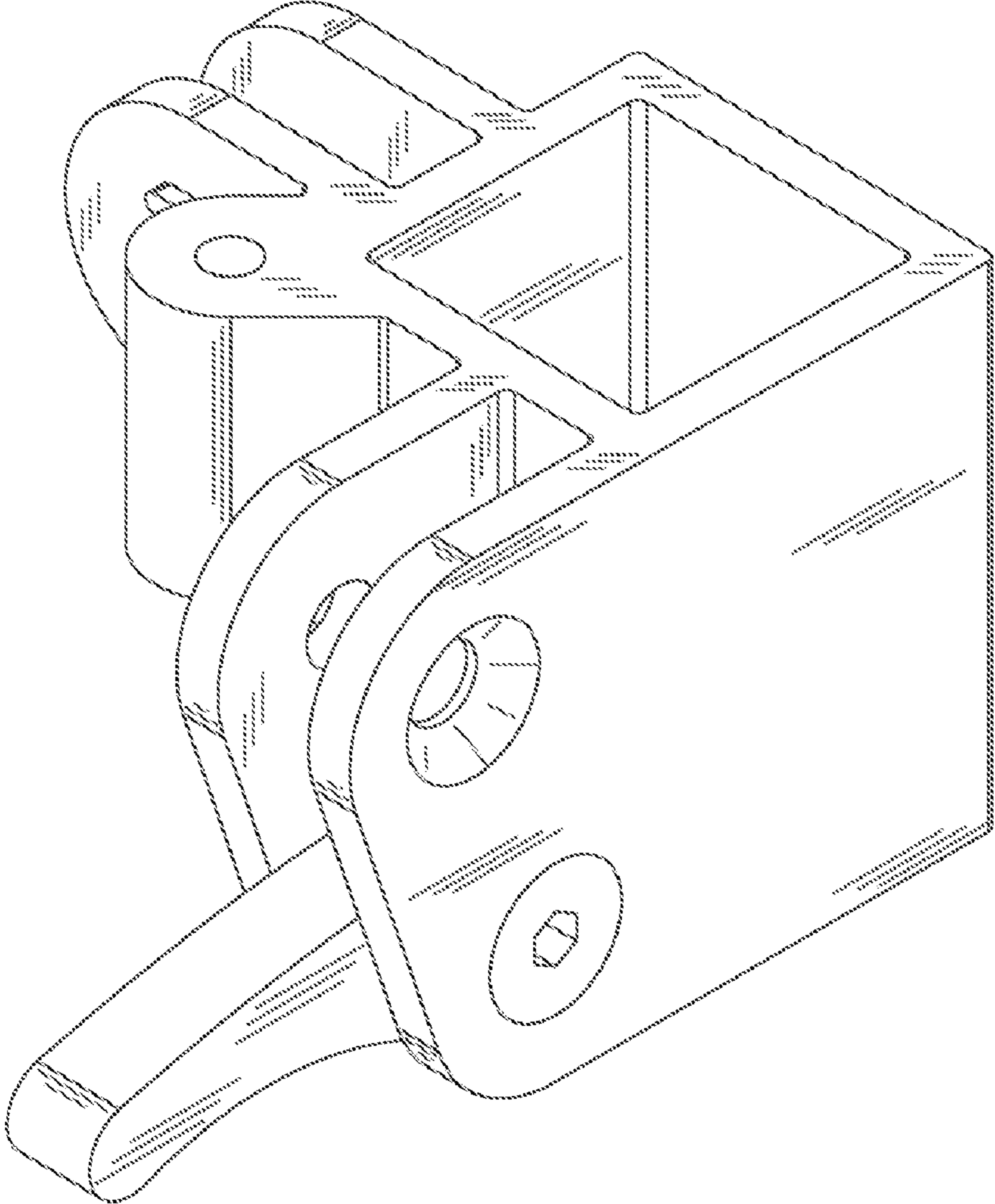


FIG. 14



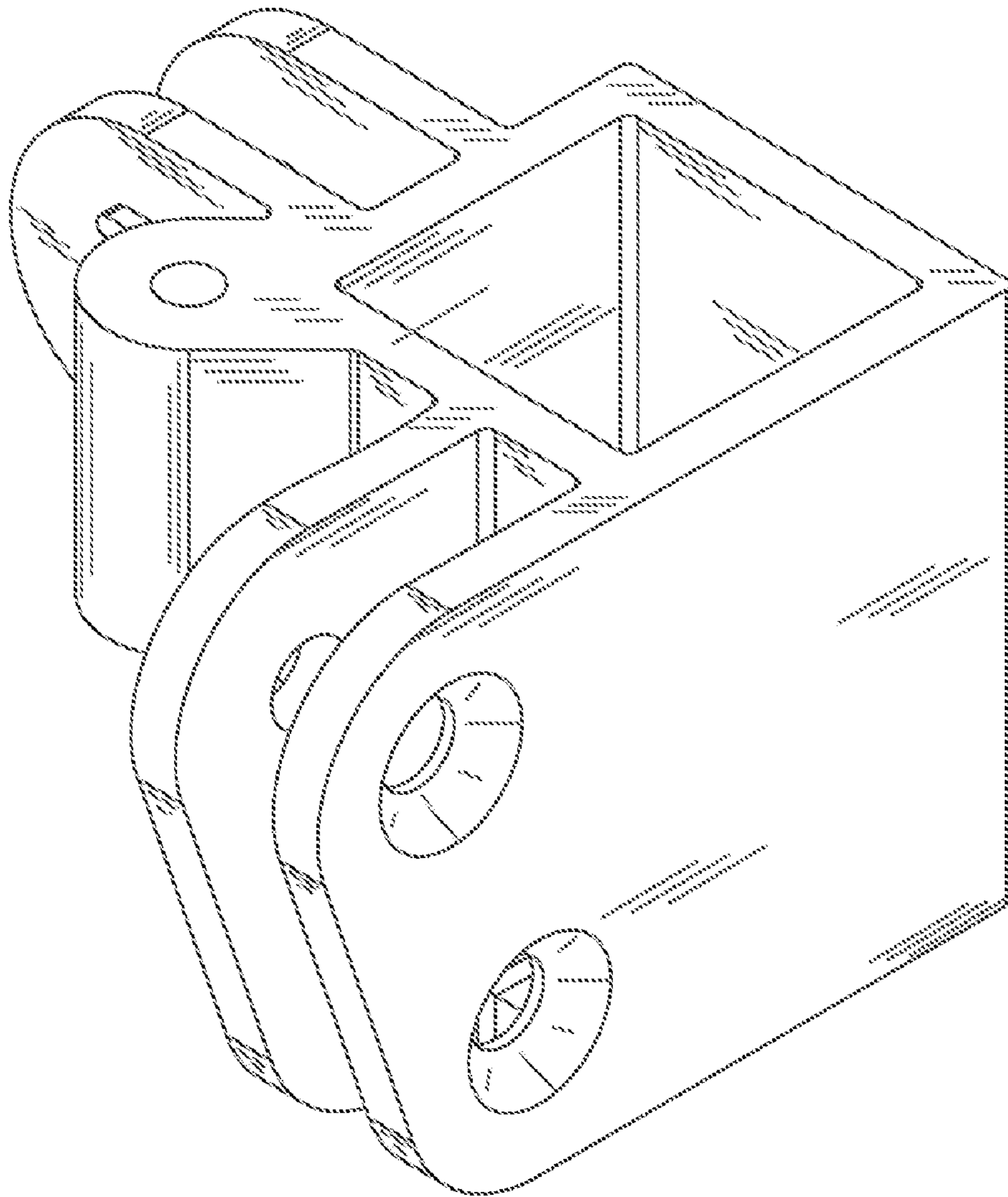


FIG. 15

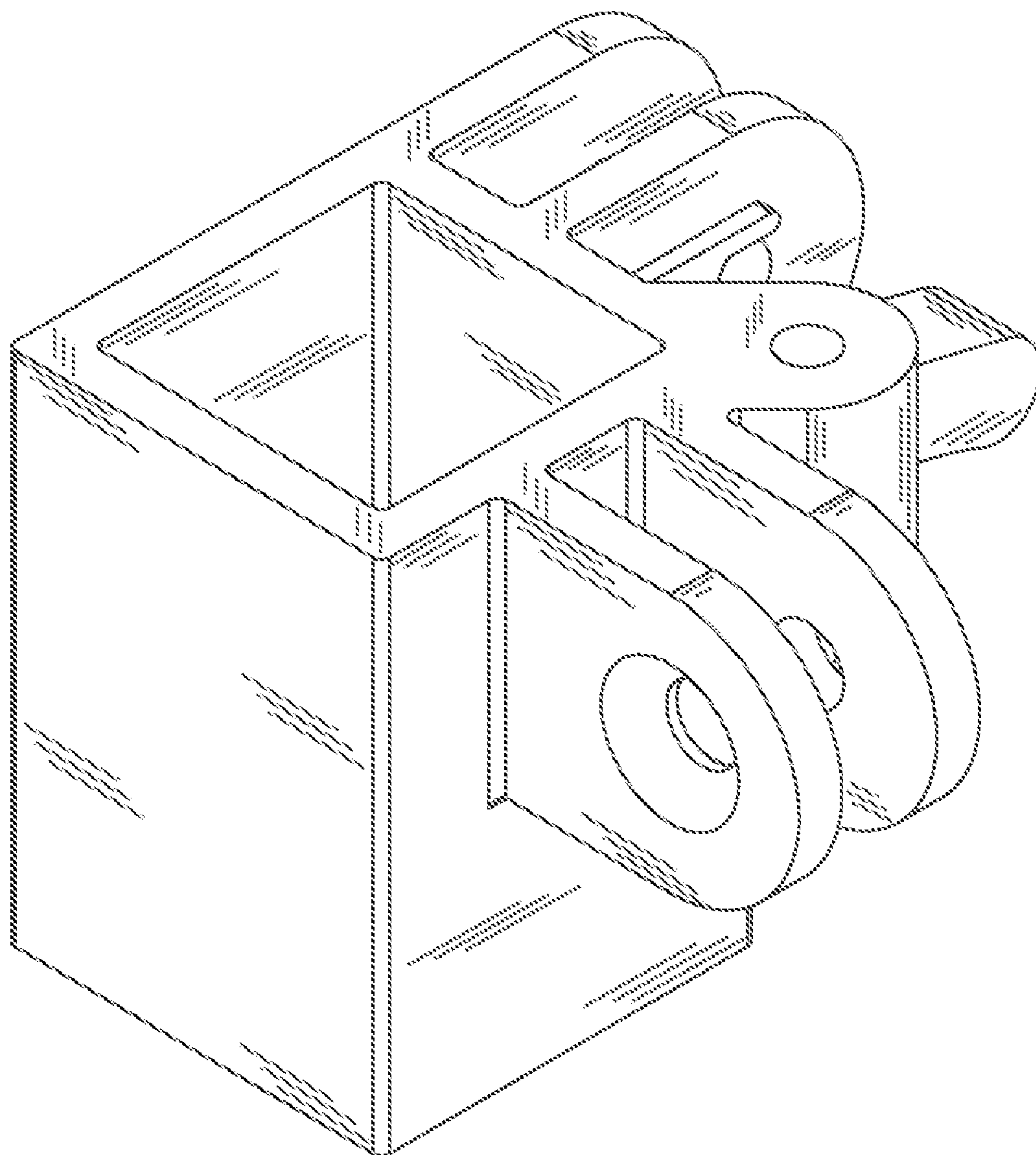


FIG. 16

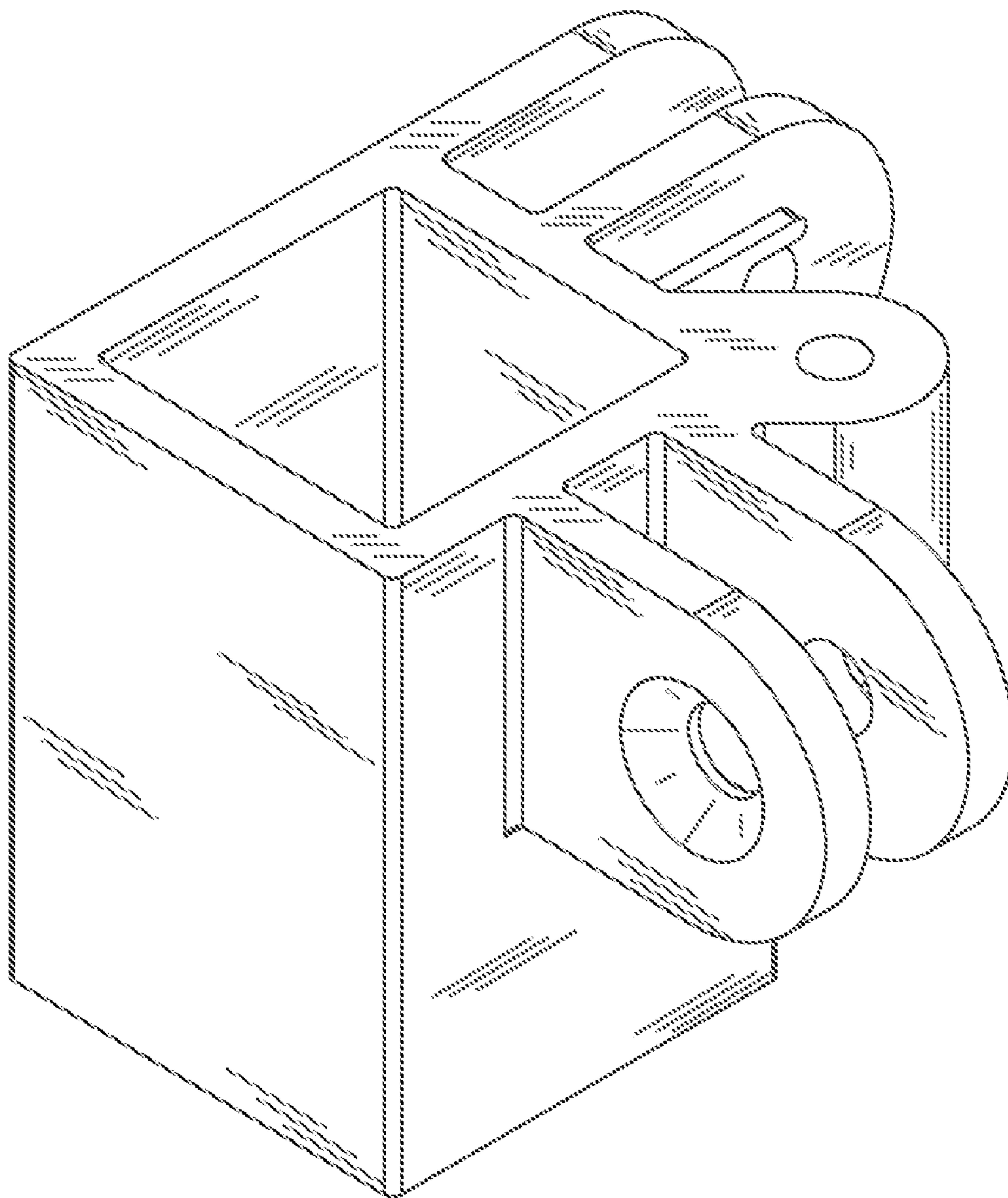


FIG. 17

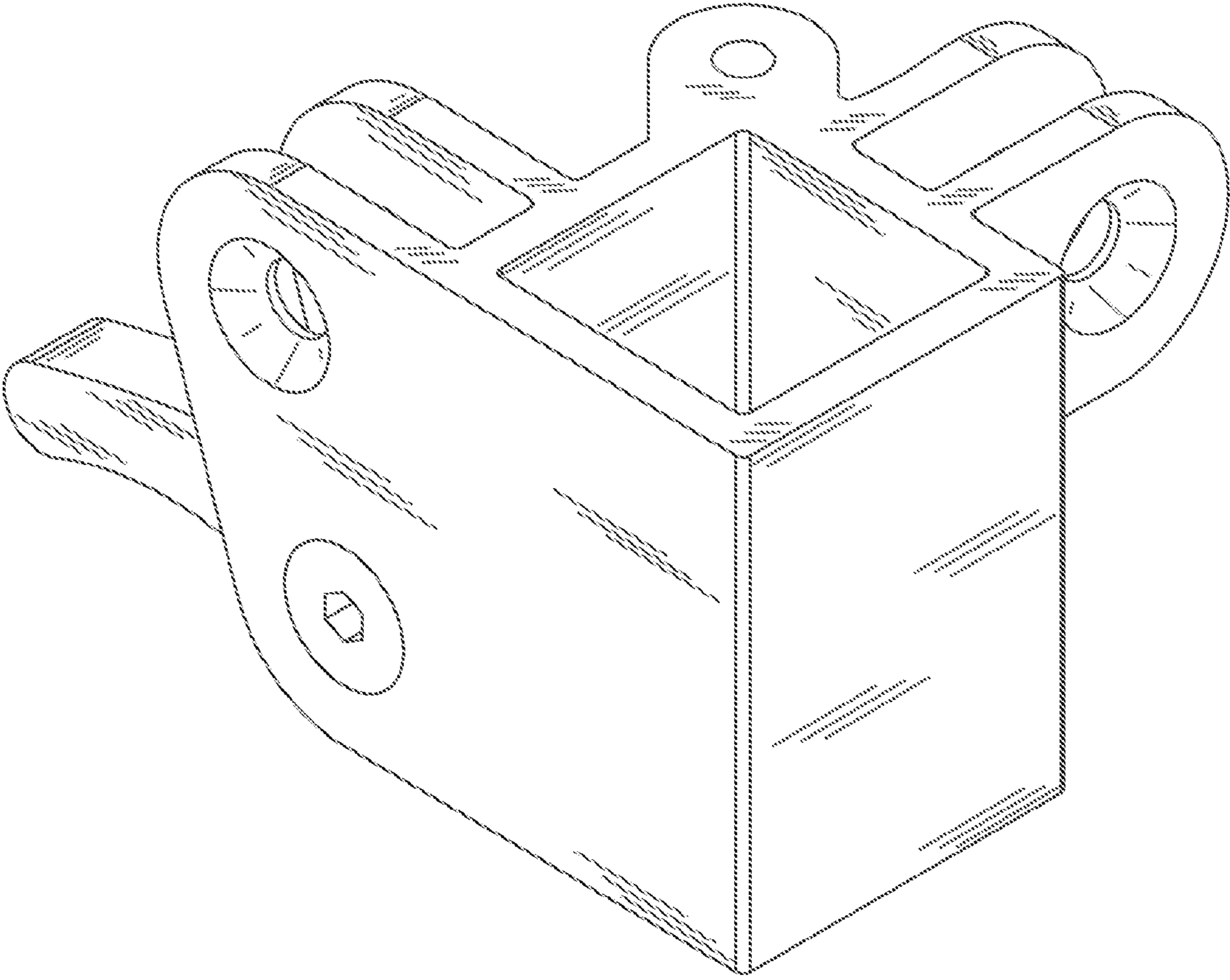


FIG. 18

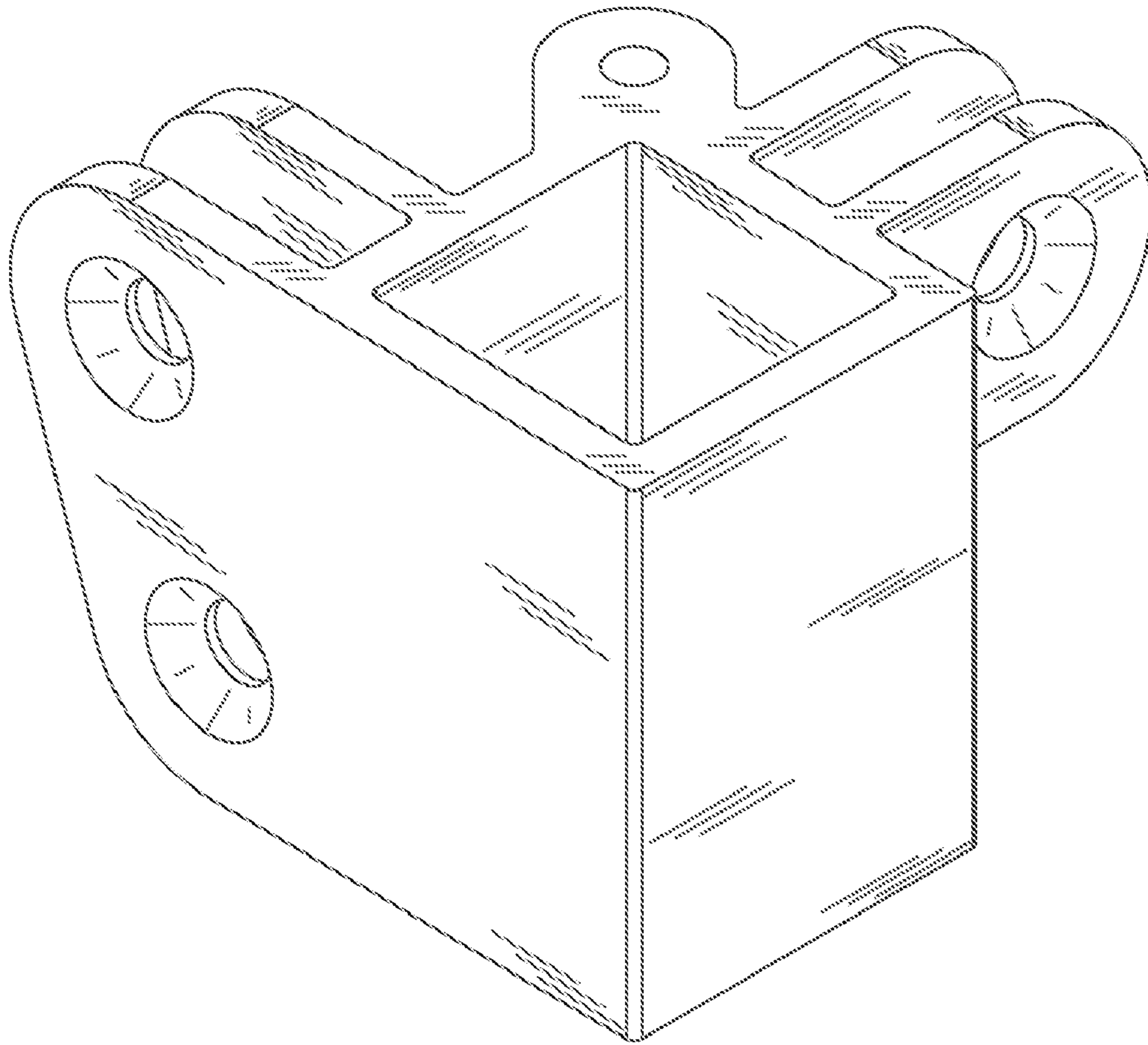


FIG. 19

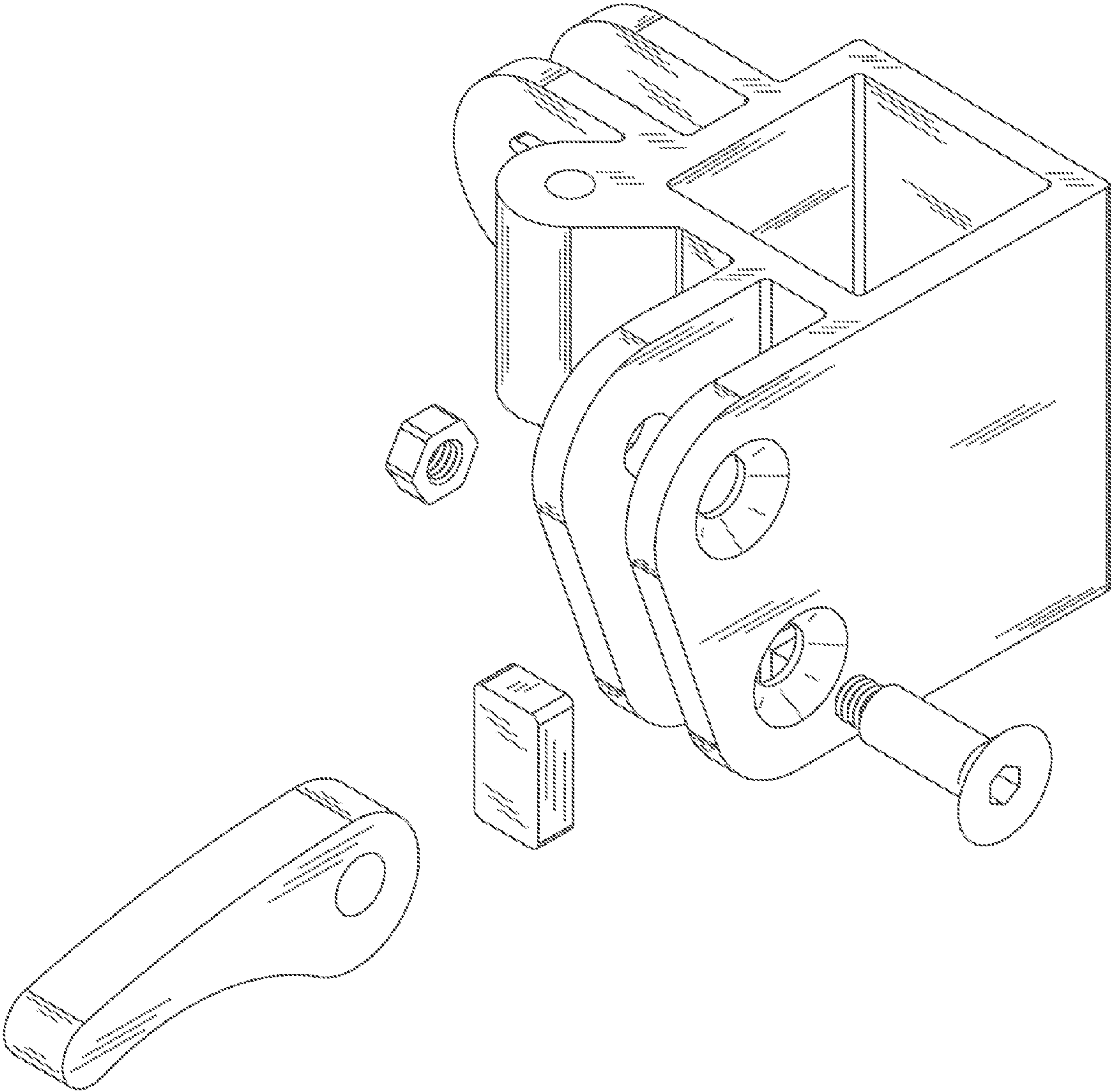


FIG. 20