



US00D617631S

(12) **United States Design Patent**
Bushey et al.

(10) **Patent No.:** **US D617,631 S**
(45) **Date of Patent:** **** Jun. 15, 2010**

- (54) **SLIP OVER FURNITURE GLIDE**
- (76) Inventors: **Richard D. Bushey**, 1596 38th Ave., Kenosha, WI (US) 53140; **Bret L. Bushey**, 5535 Sandhill Rd., Racine, WI (US) 53402
- (**) Term: **14 Years**
- (21) Appl. No.: **29/342,287**
- (22) Filed: **Aug. 21, 2009**

Related U.S. Application Data

- (63) Continuation of application No. 11/034,509, filed on Jan. 11, 2005.
- (51) **LOC (9) Cl.** **08-05**
- (52) **U.S. Cl.** **D8/374**
- (58) **Field of Classification Search** D8/374;
248/188.2, 188.8–188.9, 346.01
See application file for complete search history.

5,191,676 A	3/1993	Gerner	
5,220,705 A	6/1993	Bushey	
D340,638 S *	10/1993	Campbell D8/374
5,426,818 A	6/1995	Bushey	
5,573,212 A	11/1996	Palazzolo	
D412,106 S	7/1999	Kennard	
5,945,178 A	8/1999	Volkman	
D426,495 S *	6/2000	Vaccaro D12/133
6,088,877 A	7/2000	Swy et al.	
6,134,747 A	10/2000	Leibman	
6,155,530 A	12/2000	Borgen	
6,405,982 B2	6/2002	Ferencz	
D485,746 S *	1/2004	Abraham et al. D8/374
6,866,338 B2	3/2005	Mendenhall et al.	
6,869,052 B2	3/2005	Keast et al.	
6,901,629 B2	6/2005	Wurdack	
6,910,246 B2	6/2005	Desmarais	
D513,169 S *	12/2005	Bushey D8/374
D513,583 S *	1/2006	Chase D8/374
D548,576 S *	8/2007	Bushey D8/374

* cited by examiner

Primary Examiner—Holly H Baynham
(74) *Attorney, Agent, or Firm*—Boyle Fredrickson, S.C.

(56) **References Cited**

U.S. PATENT DOCUMENTS

D44,996 S *	12/1913	Buser D8/374
1,903,609 A	4/1933	Uhl	
2,030,649 A	2/1936	Miller	
2,458,621 A	1/1949	Miller	
2,865,133 A	12/1958	Hoven et al	
2,921,760 A	1/1960	Wheeler	
3,138,893 A	6/1964	Rupar	
3,166,782 A	1/1965	Miller	
3,326,508 A	6/1967	Born	
3,389,421 A	6/1968	Wheeler	
3,505,724 A	4/1970	Sator et al.	
5,010,621 A	4/1991	Bock	

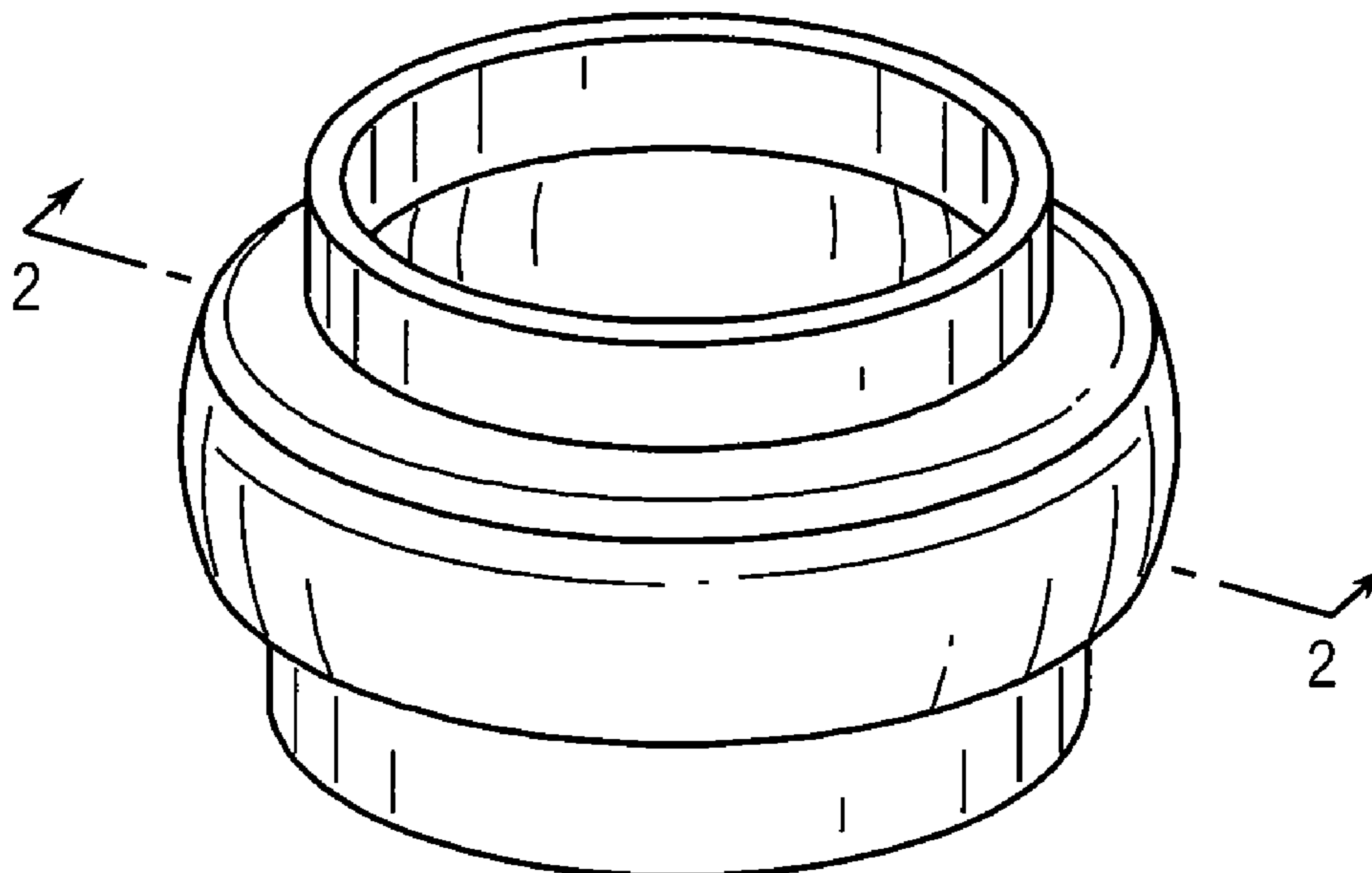
(57) **CLAIM**

The ornamental design for a slip over furniture glide, as shown and described.

DESCRIPTION

FIG. 1 is an isometric view of a furniture glide in accordance with the present invention; and,
FIG. 2 is a sectional view cut along line 2—2 of FIG. 1.
The broken lines showing the partial furniture leg is for illustrative purposes only and forms no part of the claimed design;

1 Claim, 1 Drawing Sheet



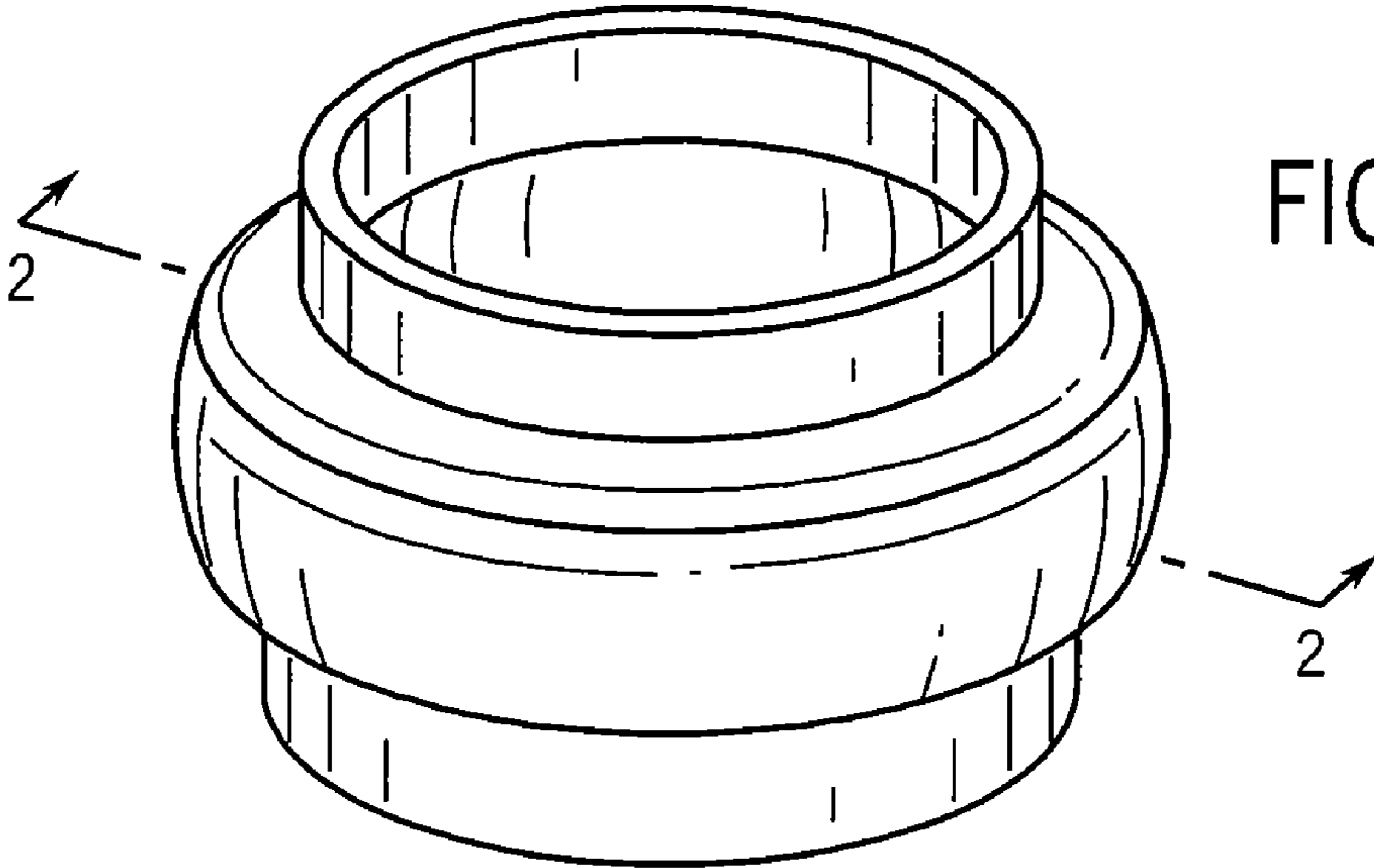


FIG. 1

FIG. 2

