



US00D617629S

(12) **United States Design Patent**  
**Stafford et al.**

(10) **Patent No.:** **US D617,629 S**  
(45) **Date of Patent:** **\*\* Jun. 15, 2010**

(54) **ROPE GRIP SLIP-KNOT DEVICE**

(75) Inventors: **Arthur Stafford**, Reading, MA (US);  
**Michael David Tinstman**, Revere, MA  
(US); **Daniel Richard Armstrong**,  
Marblehead, MA (US); **William Paul**  
**Liteplo**, Cambridge, MA (US); **John**  
**Darin Fiegner**, Marblehead, MA (US)

(73) Assignee: **Stafford Manufacturing Corp.**,  
Wilmington, MA (US)

(\*\*) Term: **14 Years**

(21) Appl. No.: **29/324,704**

(22) Filed: **Sep. 18, 2008**

(51) **LOC (9) Cl.** ..... **08-05**

(52) **U.S. Cl.** ..... **D8/356**

(58) **Field of Classification Search** ..... D8/105,  
D8/107, 333, 349, 354, 356, 358, 360, 360.1,  
D8/367, 373, 382, 383, 394-396, 400; D13/153,  
D13/154; 24/18, 115 R, 197, 561, 573.11,  
24/581.12, 582.13, 583.1; 52/220.7; 174/66,  
174/135, 153 G, 650, 656; 242/400.1, 405.1,  
242/405.2, 600, 603; 248/65, 74.1-74.4,  
248/201, 214, 215, 229.26; 439/92-108,  
439/501, 535; 294/82.2; D11/200, 211  
See application file for complete search history.

(56) **References Cited**

**U.S. PATENT DOCUMENTS**

- D57,385 S \* 3/1921 Schuler ..... D8/382
- 1,476,218 A \* 12/1923 Premro ..... 403/371
- 2,393,070 A \* 1/1946 Saloun ..... 43/44.91
- D182,699 S \* 4/1958 Werstein ..... D8/80
- 2,903,669 A \* 9/1959 Gilman et al. .... 439/369
- 2,968,117 A \* 1/1961 Trombly ..... 446/27
- 3,059,209 A \* 10/1962 Bird ..... 439/369
- 3,357,066 A \* 12/1967 Moritz ..... 403/211
- 3,952,685 A \* 4/1976 Hollenbush ..... 267/72
- D242,111 S \* 11/1976 Proskin ..... D8/333
- 4,139,966 A \* 2/1979 Connell ..... 446/242

- D261,102 S \* 10/1981 Hoover ..... D8/383
- 4,771,516 A \* 9/1988 Foth ..... 24/115 R
- D321,471 S \* 11/1991 Stumpf et al. .... D8/400
- D346,423 S \* 4/1994 Kitagawa ..... D22/134
- D364,795 S \* 12/1995 Mekyska ..... D8/354
- 5,660,133 A \* 8/1997 Munich ..... 114/219
- D394,598 S \* 5/1998 Wang ..... D8/349
- 5,842,766 A \* 12/1998 Scharf, III ..... 362/554
- D425,398 S \* 5/2000 Fiegner et al. .... D8/334
- D428,794 S \* 8/2000 Fiegner et al. .... D8/334
- 6,305,198 B1 \* 10/2001 Chastain et al. .... 70/40
- 6,321,961 B1 \* 11/2001 McDaid et al. .... 224/442
- 6,568,044 B1 \* 5/2003 Kidd ..... 24/104
- 6,600,479 B1 \* 7/2003 Smith et al. .... 345/163

(Continued)

**FOREIGN PATENT DOCUMENTS**

EP 1688567 A2 \* 8/2006

*Primary Examiner*—Robert M Spear

*Assistant Examiner*—Karen Acker

(74) *Attorney, Agent, or Firm*—Sand & Sebolt

(57) **CLAIM**

We claim the ornamental design for a rope grip slip-knot device, as shown and described.

**DESCRIPTION**

FIG. 1 is a top view of the rope grip slip-knot device showing my new design;

FIG. 2 is a right view thereof;

FIG. 3 is a left view thereof;

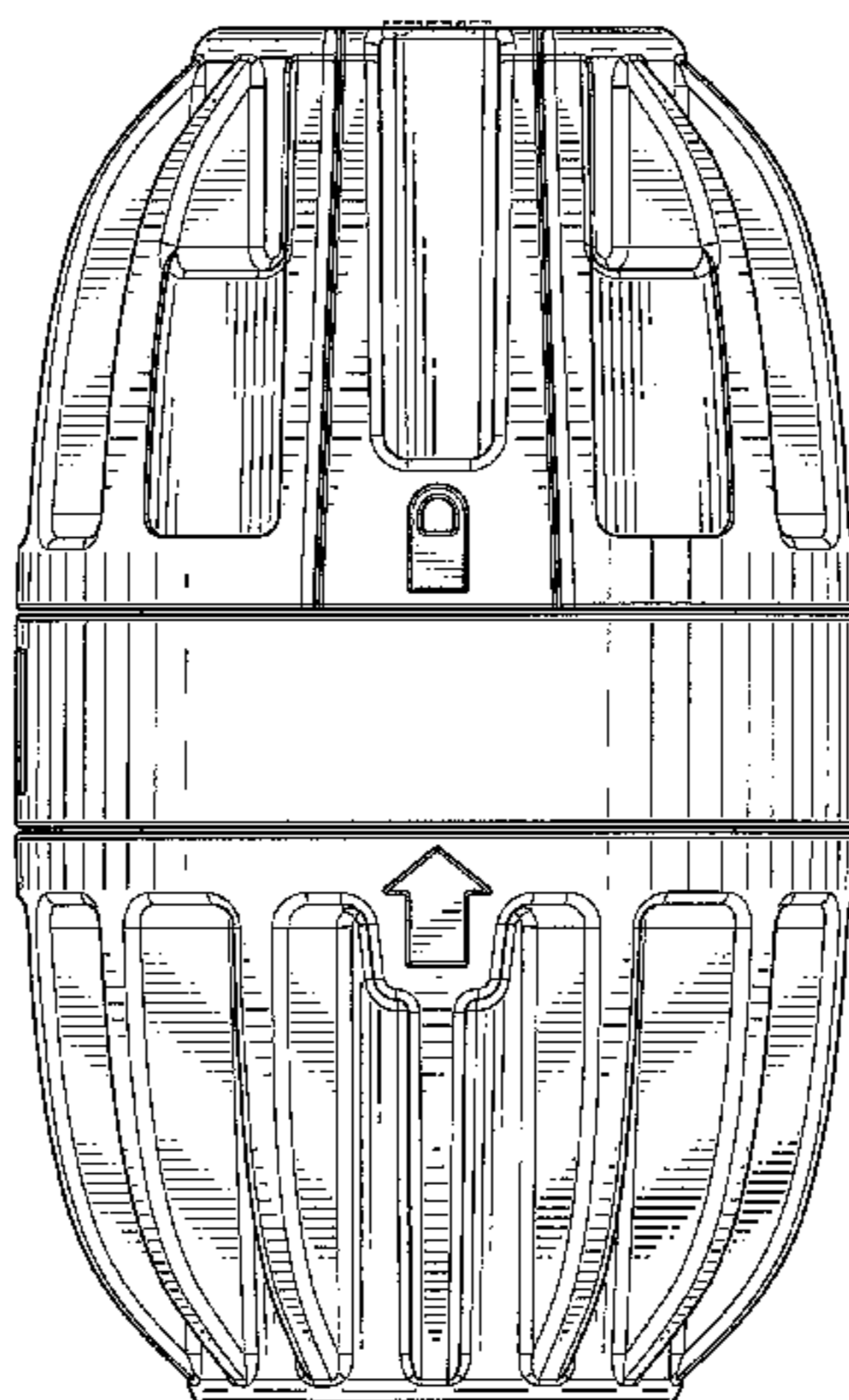
FIG. 4 is a bottom view thereof;

FIG. 5 is a front view thereof; and,

FIG. 6 is a back view thereof.

The broken lines in the drawings represent portions of the rope grip slip-knot device that are not part of the claim. The broken lines and the structures and features they depict form no part of the claimed design.

**1 Claim, 6 Drawing Sheets**



# US D617,629 S

Page 2

---

## U.S. PATENT DOCUMENTS

D489,851	S *	5/2004	Jones et al. ....	D32/48	D549,385	S *	8/2007	Lissoni et al. ....	D26/89
6,875,122	B2 *	4/2005	Collins et al. ....	473/220	D552,972	S *	10/2007	Peng .....	D8/356
6,911,903	B2 *	6/2005	Gladstone et al. ....	340/442	D567,126	S *	4/2008	Zheng .....	D10/86
6,995,319	B2 *	2/2006	Ikeda .....	174/135	D573,456	S *	7/2008	Deilmann .....	D8/383
7,100,403	B2 *	9/2006	Murray et al. ....	70/58	2007/0097667	A1 *	5/2007	Armstrong et al. ....	362/101
D533,799	S *	12/2006	Thalhammer et al. ....	D10/106	2007/0215375	A1 *	9/2007	Peng .....	174/135

\* cited by examiner

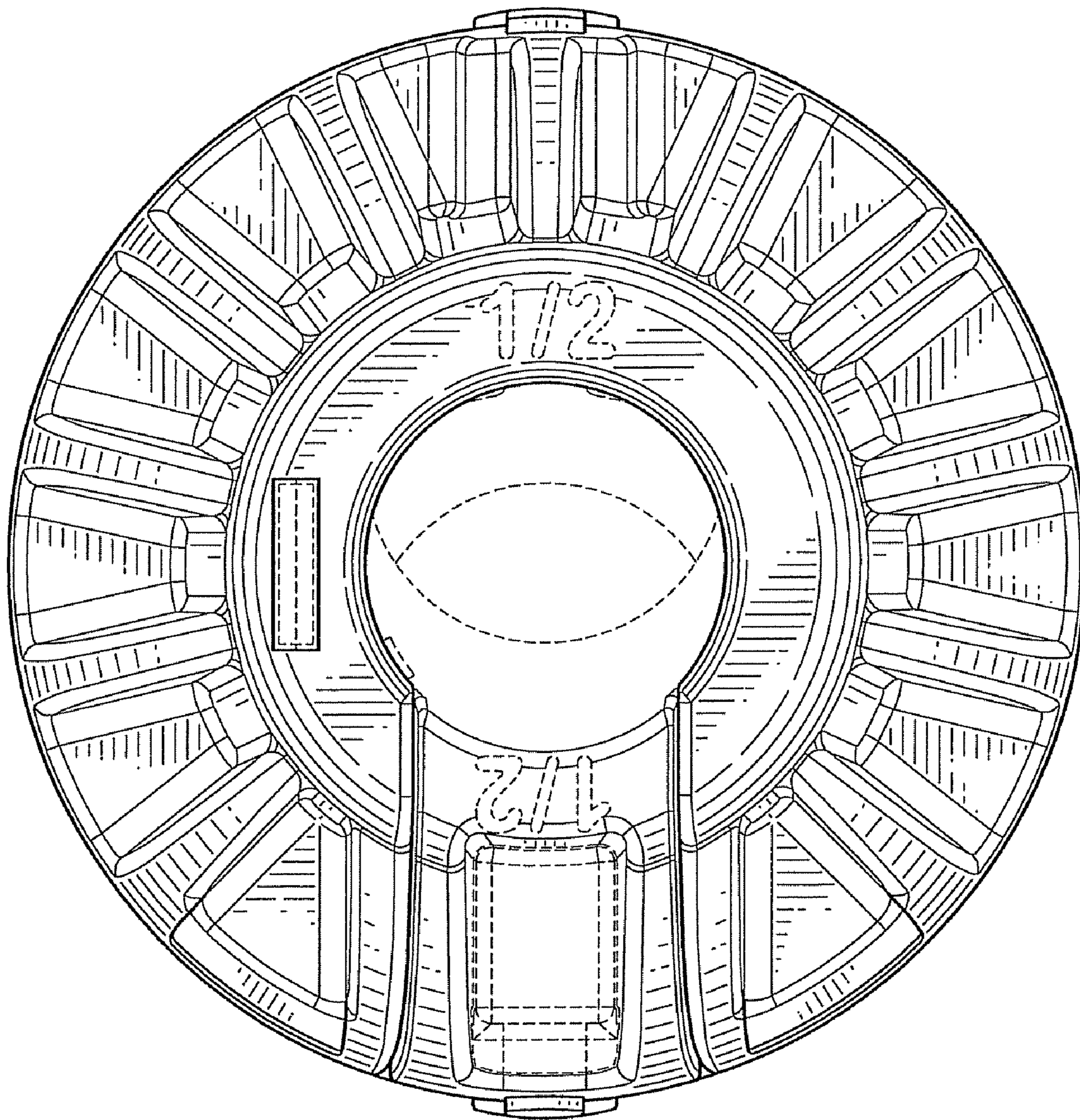


FIG-1

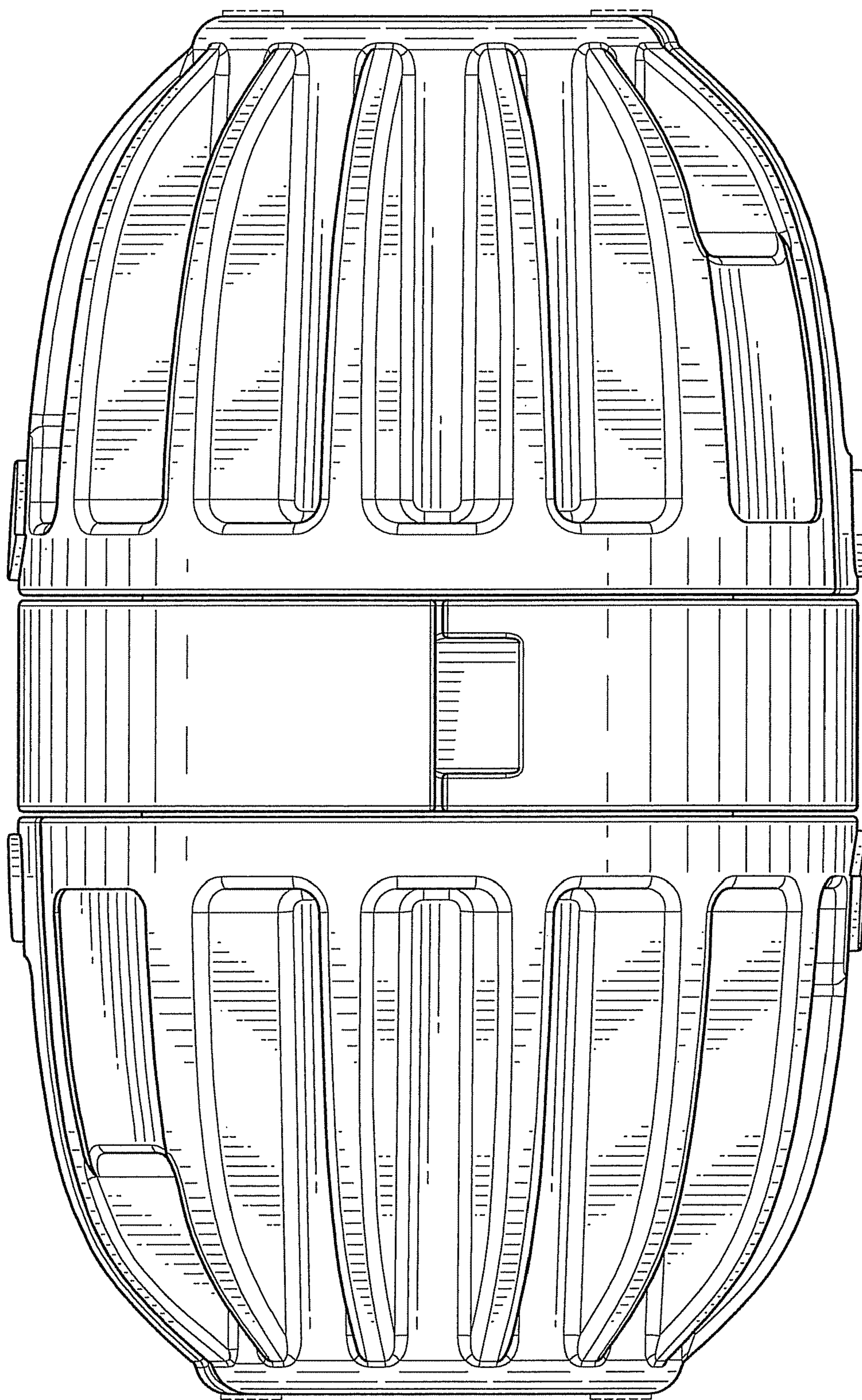


FIG-2

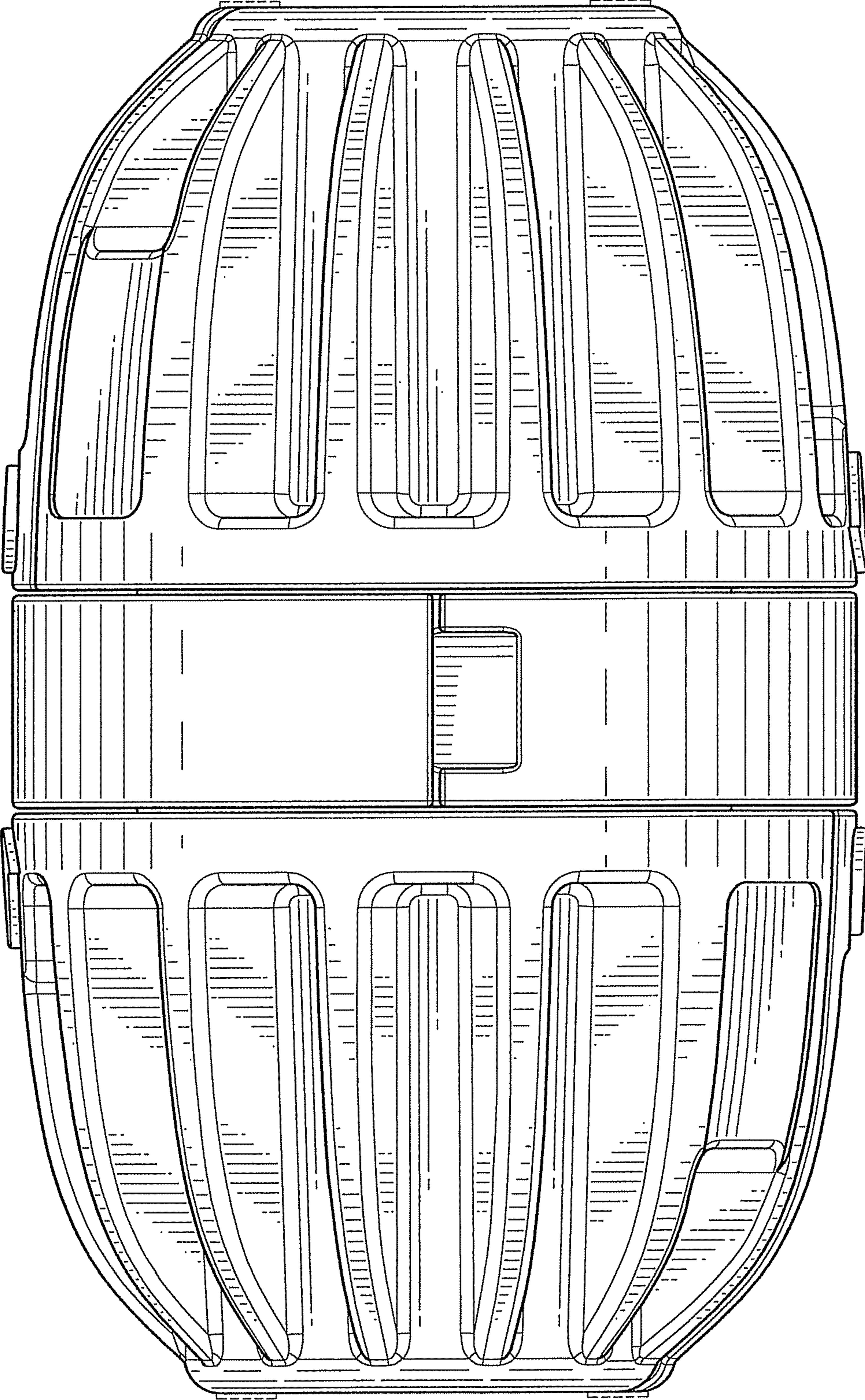


FIG-3

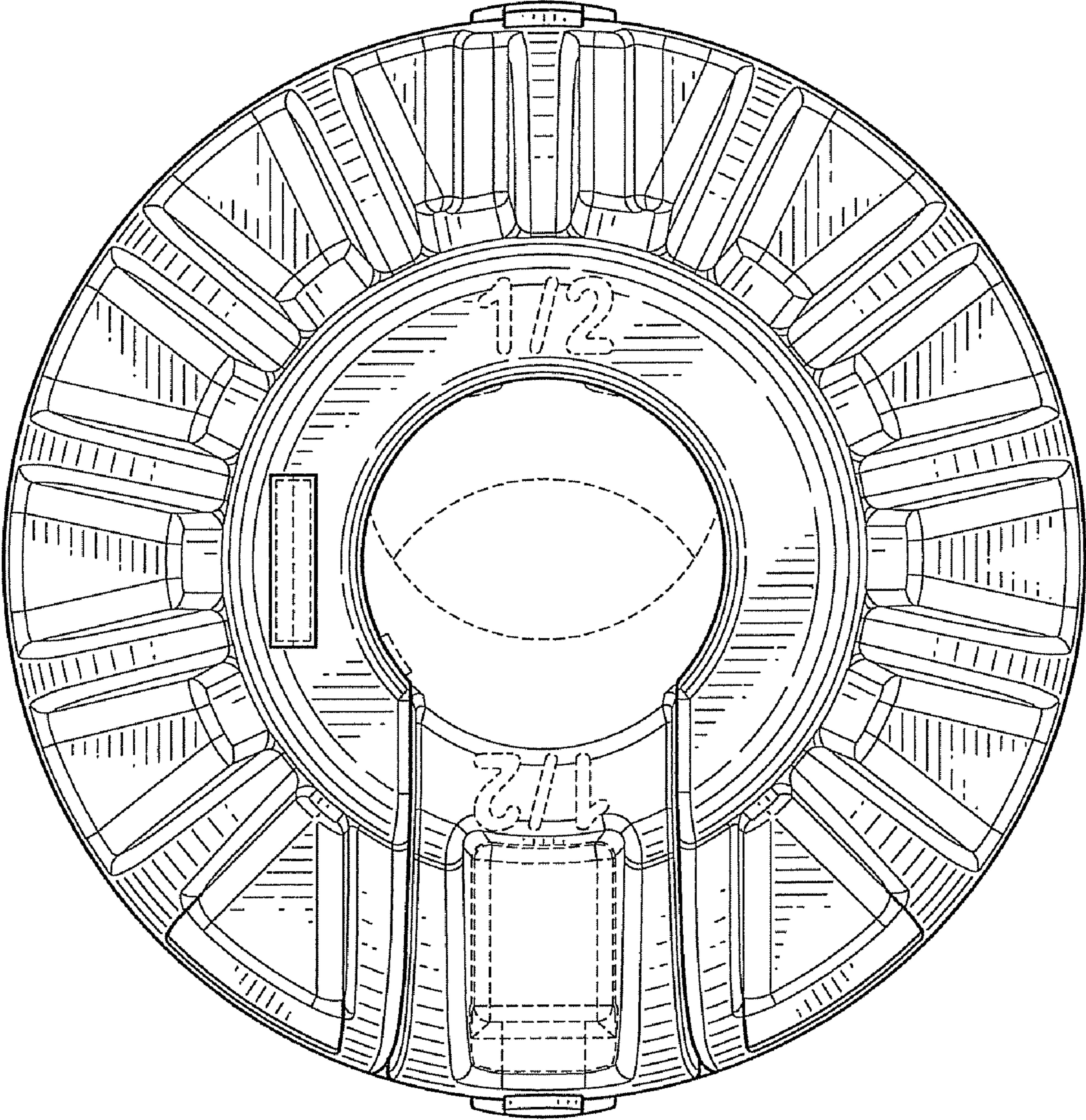


FIG-4

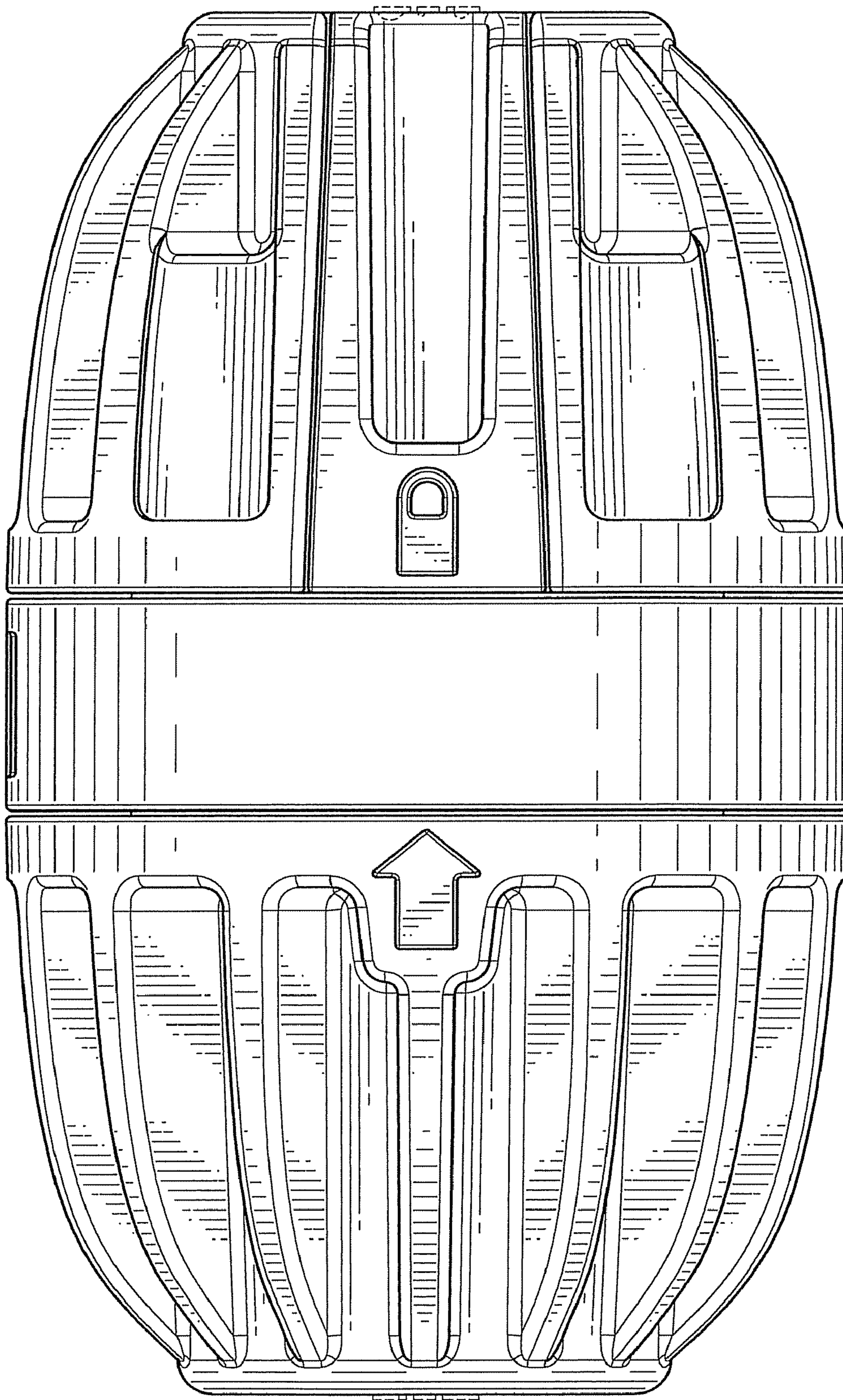


FIG-5

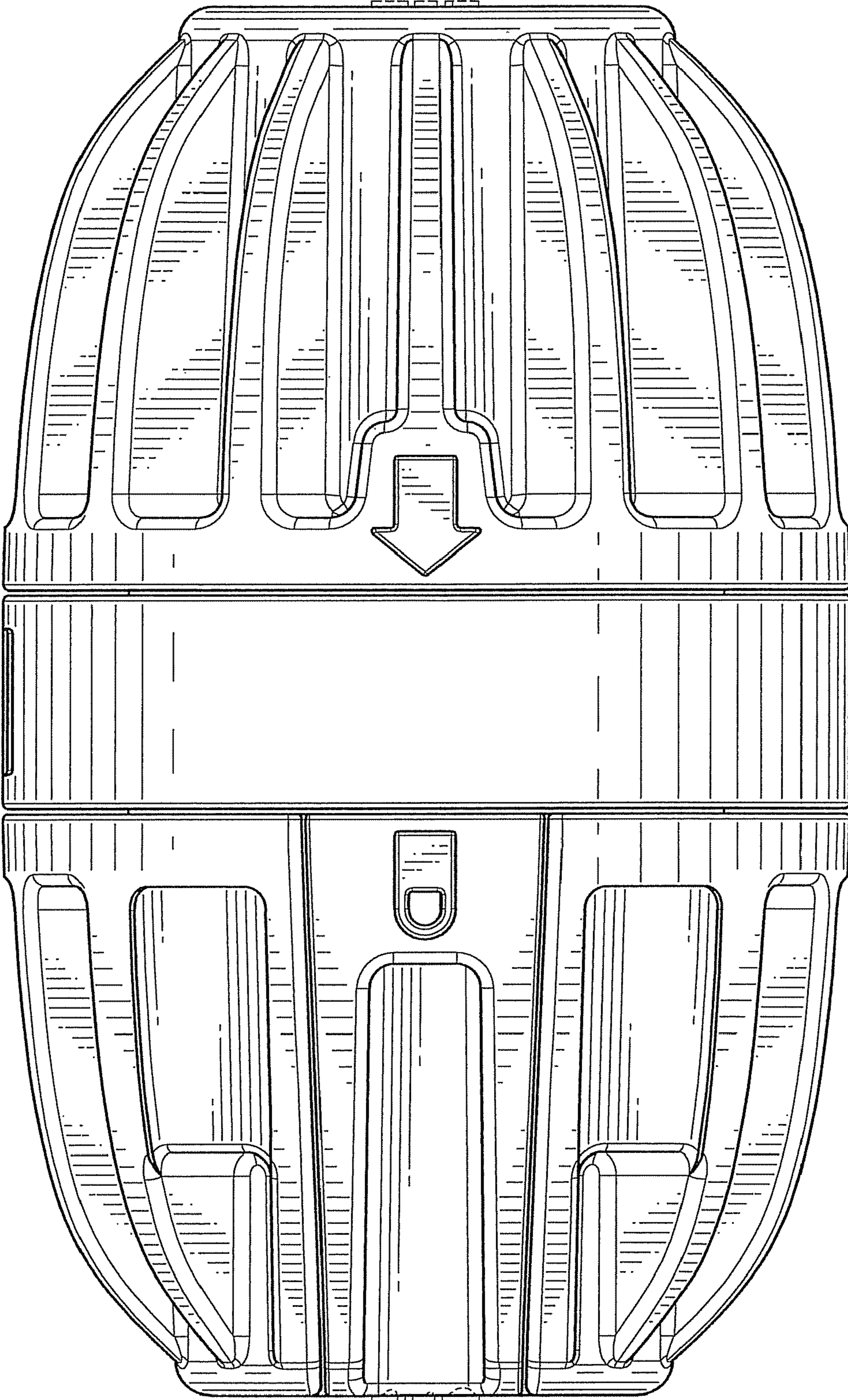


FIG-6