



US00D617625S

(12) **United States Design Patent**
Haining

(10) **Patent No.:** **US D617,625 S**

(45) **Date of Patent:** **** Jun. 15, 2010**

(54) **HANDLE**

(75) Inventor: **Gao Haining**, Nanjing (CN)

(73) Assignee: **The Innovak Group Inc.**, Pointe-Claire (CA)

(**) Term: **14 Years**

(21) Appl. No.: **29/303,123**

(22) Filed: **Feb. 1, 2008**

(51) **LOC (9) Cl.** **08-05**

(52) **U.S. Cl.** **D8/107**

(58) **Field of Classification Search** D8/14,
D8/14.1, 21, 25, 29, 45, 51, 61-70, 82-87,
D8/107, 300, 313, DIG. 1; D7/394-395,
D7/649, 393; D15/17, 18; D32/46; 16/110.1,
16/111.1, 422, 430-431, 11 R, 111 R, 114,
16/116, 421, 436; 81/177.1-177.7, 177.85,
81/489, 20, 439-440, 180.1, 436, 57.11,
81/429, 464, 465, 466, 469; 7/151; 15/235.4,
15/235.6, 235.8; 294/55; 173/13, 169, 178,
173/213, 217; 227/8, 114, 120, 130, 136,
227/142; 310/50; 408/20, 124, 125, 234,
408/241 R; 451/358

See application file for complete search history.

(56) **References Cited**

U.S. PATENT DOCUMENTS

1,479,506 A * 1/1924 Kellemen 279/90

D83,771 S * 3/1931 Trevillian D4/138
2,160,244 A * 5/1939 West 81/436
D267,075 S * 11/1982 Wadstrom D8/107
2005/0204878 A1 * 9/2005 Hu 81/490

* cited by examiner

Primary Examiner—Cathron C Brooks

Assistant Examiner—Barbara Fox

(74) *Attorney, Agent, or Firm*—Ogilvy Renault LLP

(57) **CLAIM**

The ornamental design for a handle, as shown and described.

DESCRIPTION

FIG. 1 is a perspective view of a handle showing my new design;

FIG. 2 is a first side view of the handle of FIG. 1, the opposite side view being a mirror image thereof;

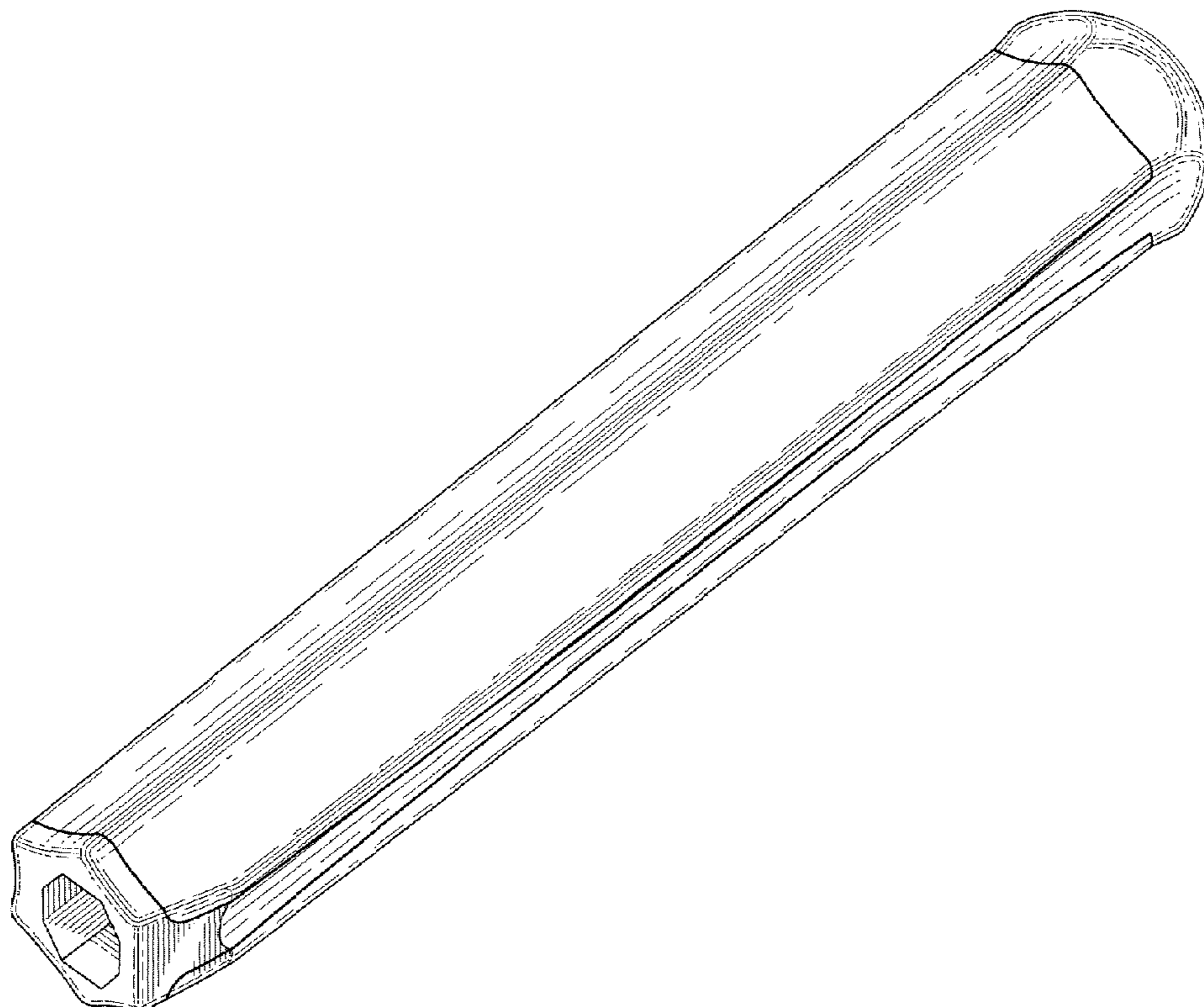
FIG. 3 is a first end view of the handle of FIG. 1;

FIG. 4 is a second end view, opposite the first end view, of the handle of FIG. 1; and

FIG. 5 is a bottom plan view of the handle of FIG. 1; and,

FIG. 6 is a top plan view of the handle of FIG. 1.

1 Claim, 3 Drawing Sheets



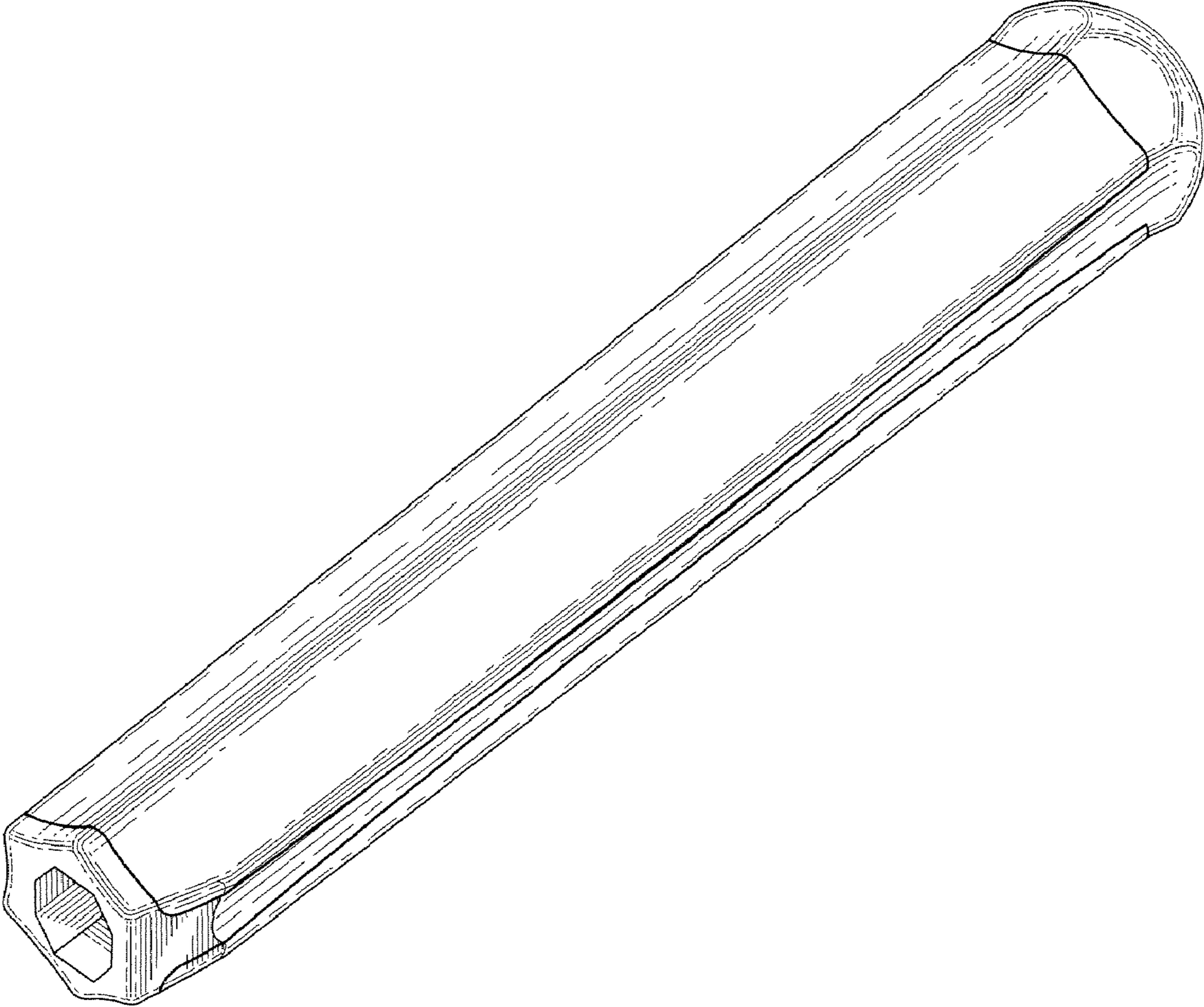


FIG. 1

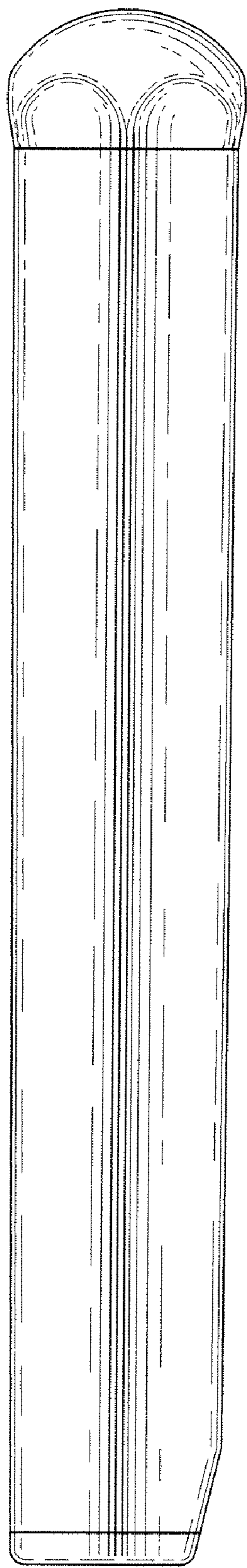


FIG. 2

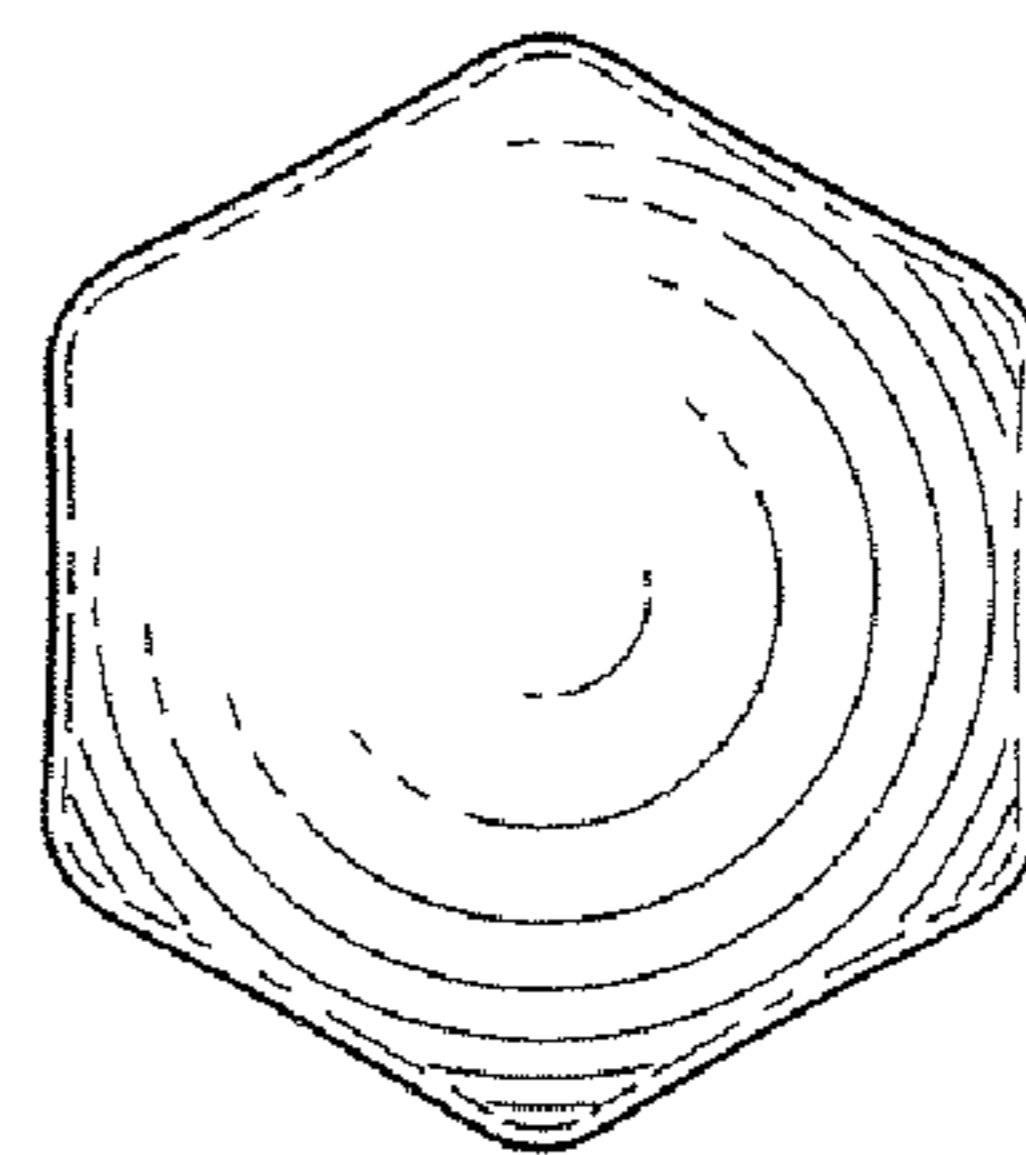


FIG. 3

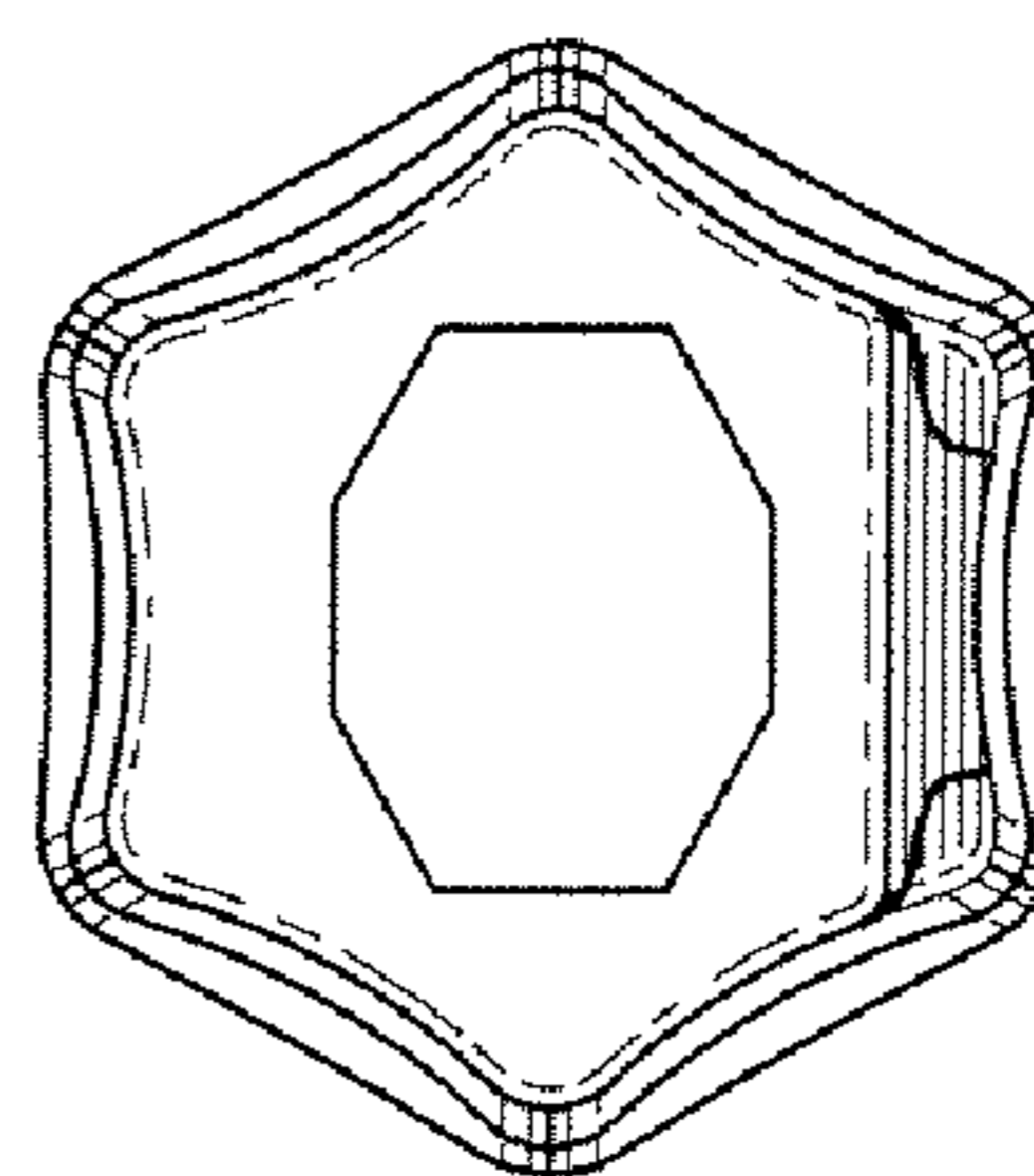


FIG. 4

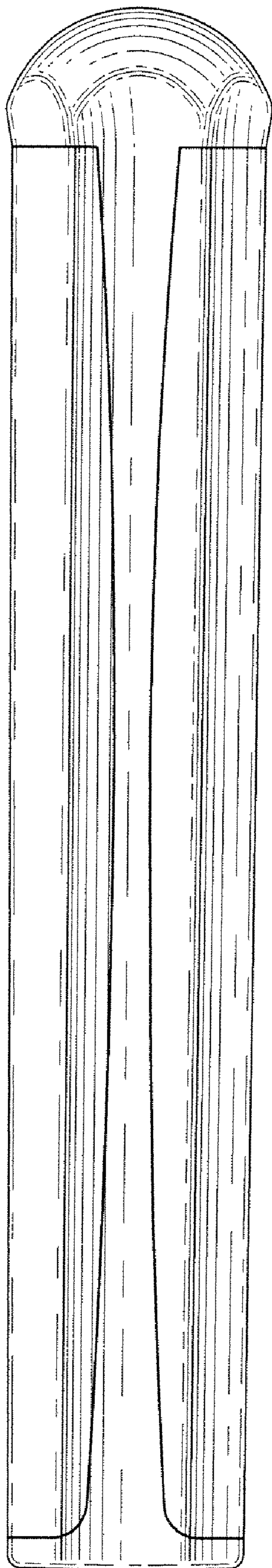


FIG. 5

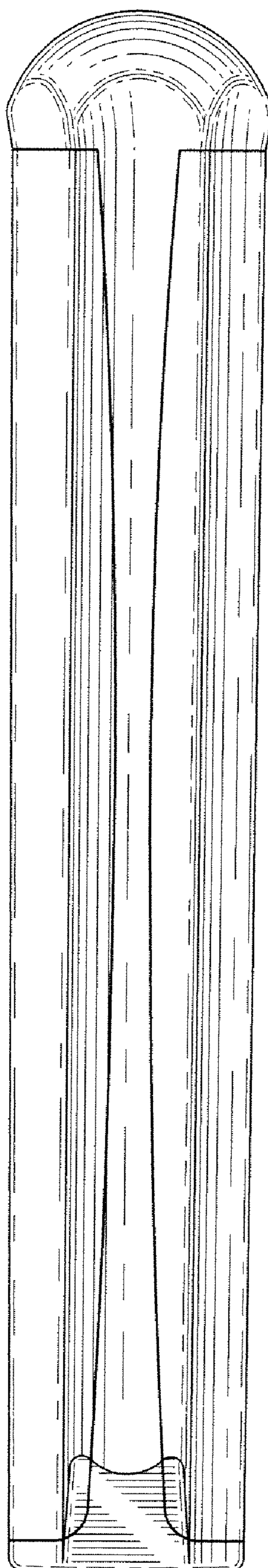


FIG. 6